



UNIVERSITY UNION

**UNT**

EVENT PLANNING AND SCHEDULING SERVICES

# MEETING ROOM 227

VIEW FROM MAIN ENTRANCE



# FEATURES

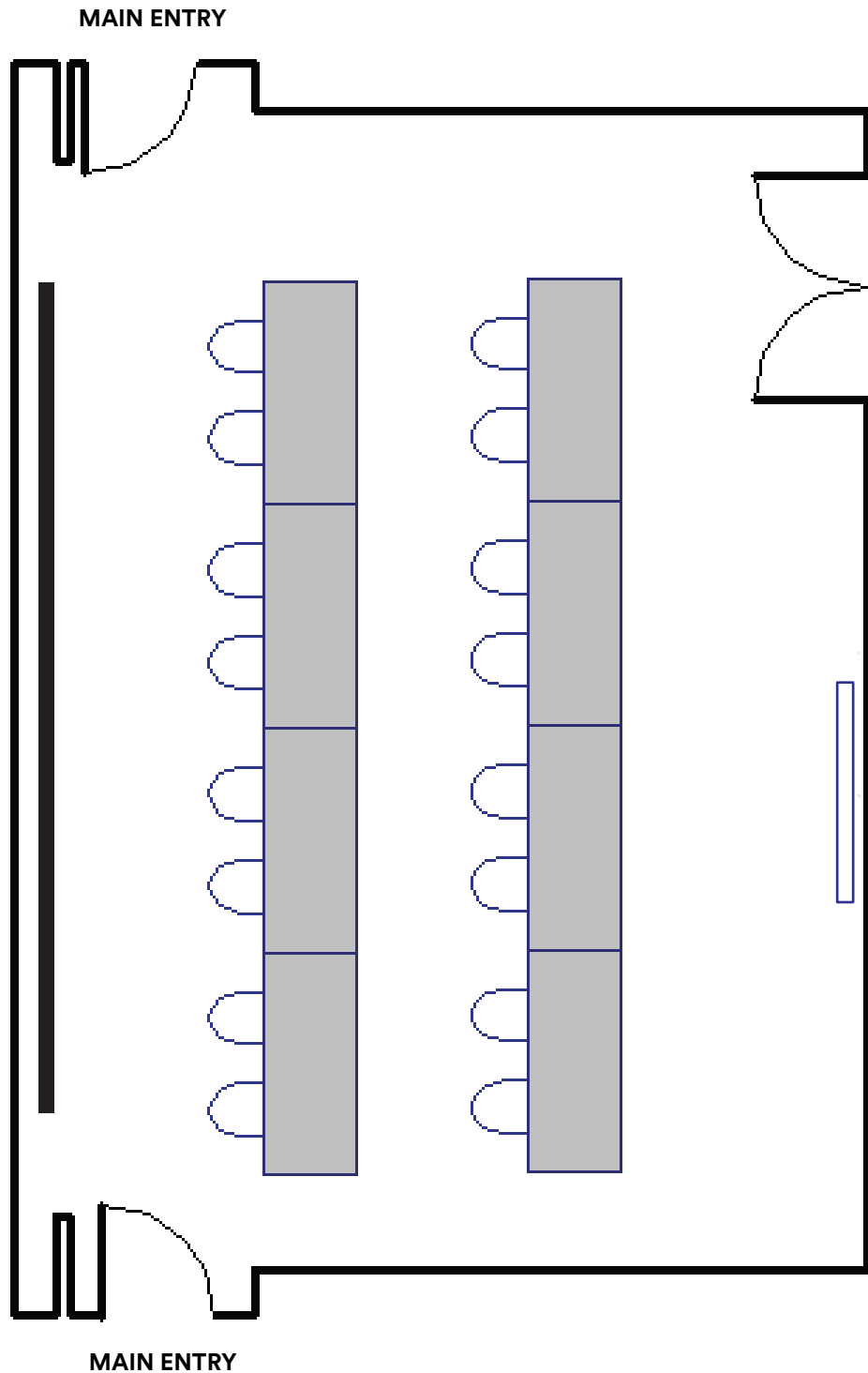
- Built in sound system
- Aux inputs for customer provided devices
- CD player with iPod dock
- Built in wireless microphone/headset
- 7 mirrors
- 2 whiteboards
- Trash receptacles
- Dance space

VIEW FROM MIRROR

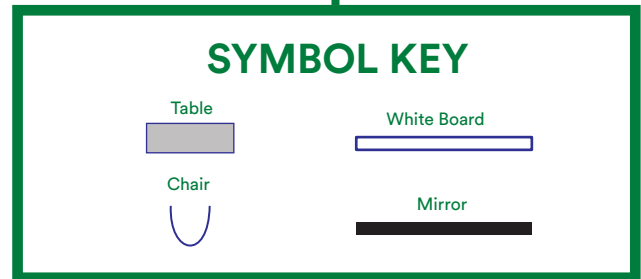


VIEW FROM WHITEBOARD

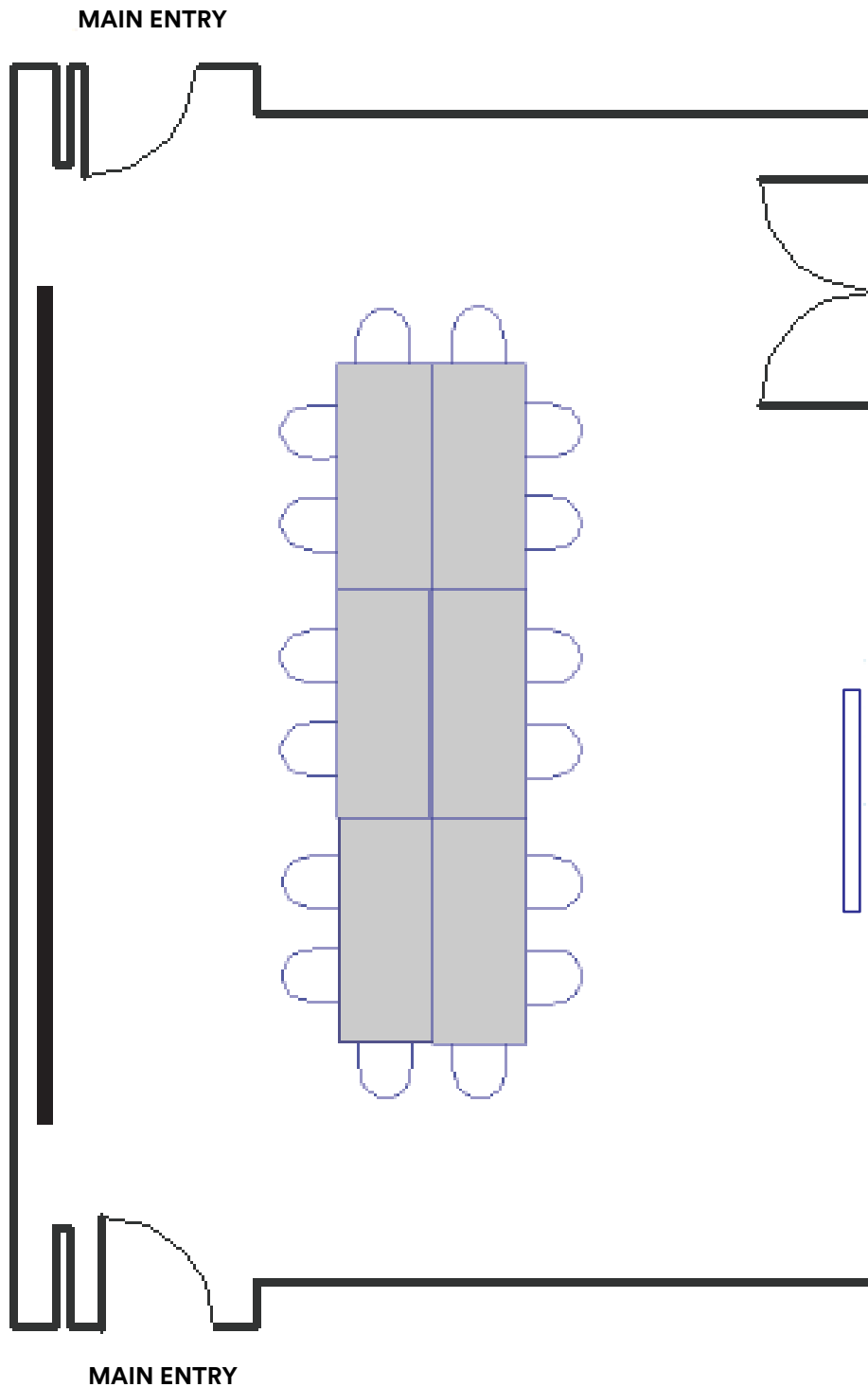




**CLASSROOM CONFIGURATION**  
682 SQ/FT      22' x 31'9"  
MAX SEATING: 16\*



\*Please note that the addition of catering or any additional services or features will affect your max seating. Please contact your event specialist for additional information on this matter.







**CONFERENCE CONFIGURATION**

682 SQ/FT      22' x 31'9"

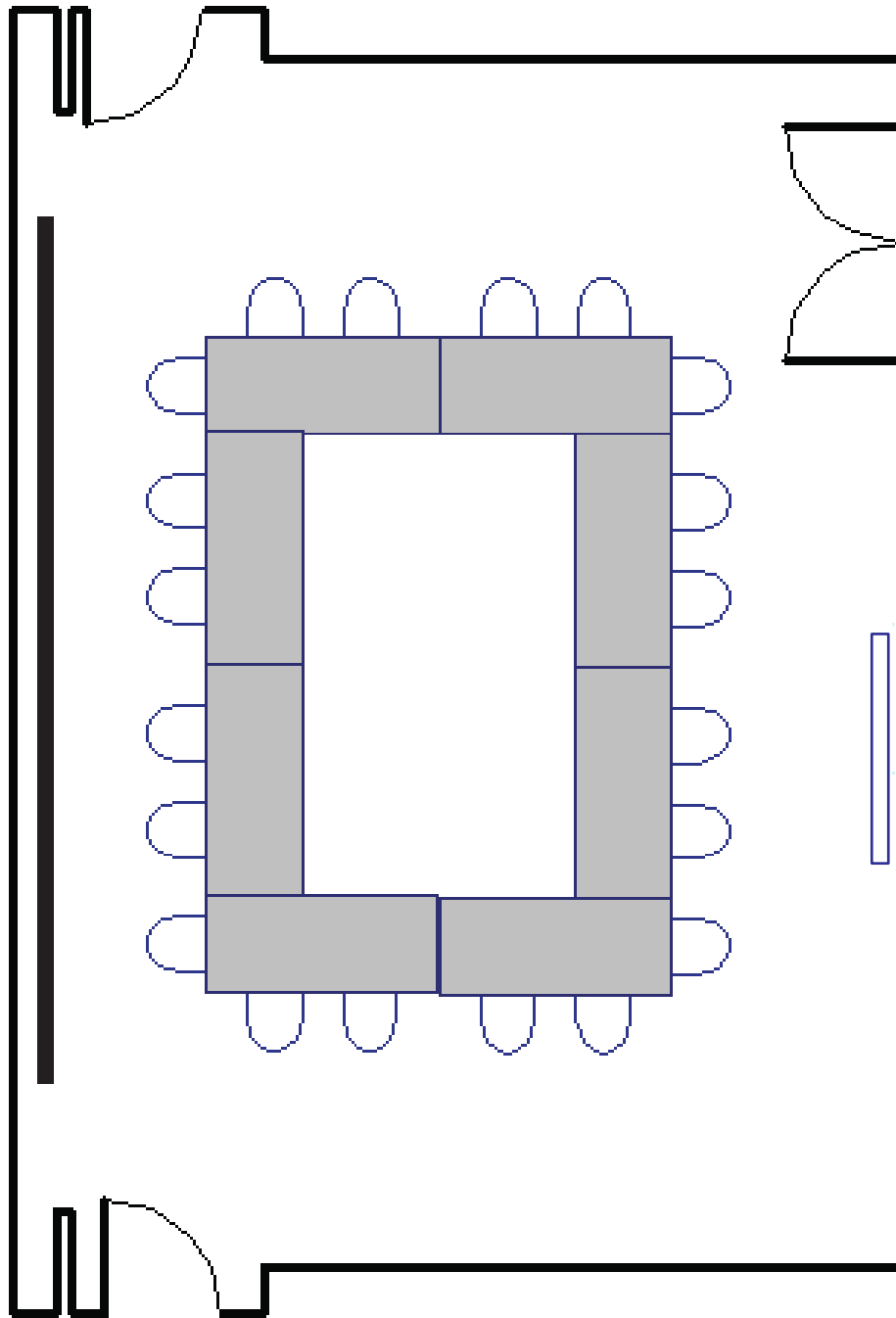
MAX SEATING: 16\*

**SYMBOL KEY**

Table	White Board
	
Chair	Mirror
	

\*Please note that the addition of catering or any additional services or features will affect your max seating. Please contact your event specialist for additional information on this matter.

MAIN ENTRY



### HOLLOW SQUARE CONFIGURATION

682 SQ/FT

22' x 31'9"

MAX SEATING: 20\*

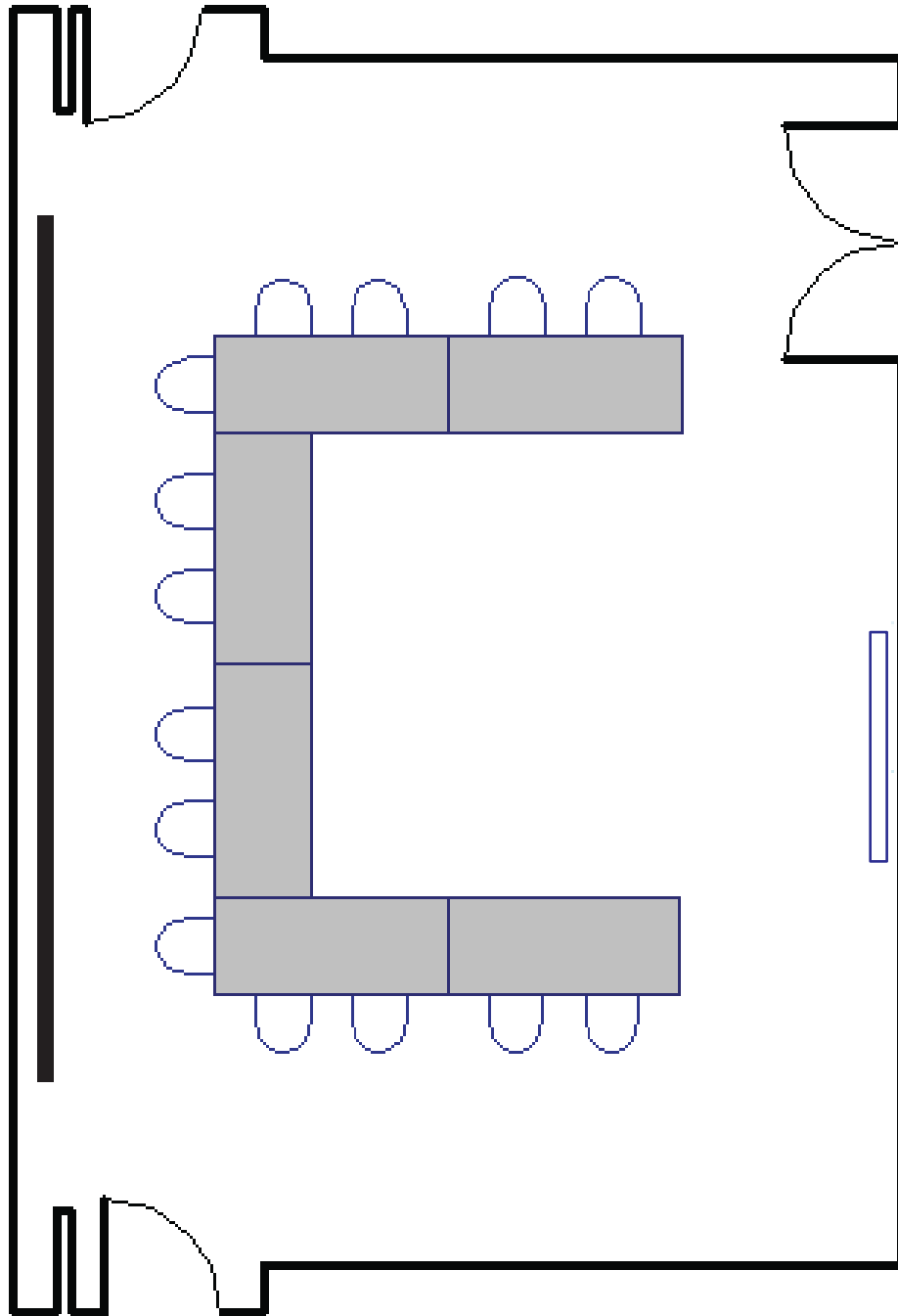
### SYMBOL KEY



\*Please note that the addition of catering or any additional services or features will affect your max seating. Please contact your event specialist for additional information on this matter.

MAIN ENTRY

MAIN ENTRY



MAIN ENTRY

## OPEN-U CONFIGURATION

682 SQ/FT

22' x 31'9"

MAX SEATING: 14\*

## SYMBOL KEY

Table



Chair



White Board

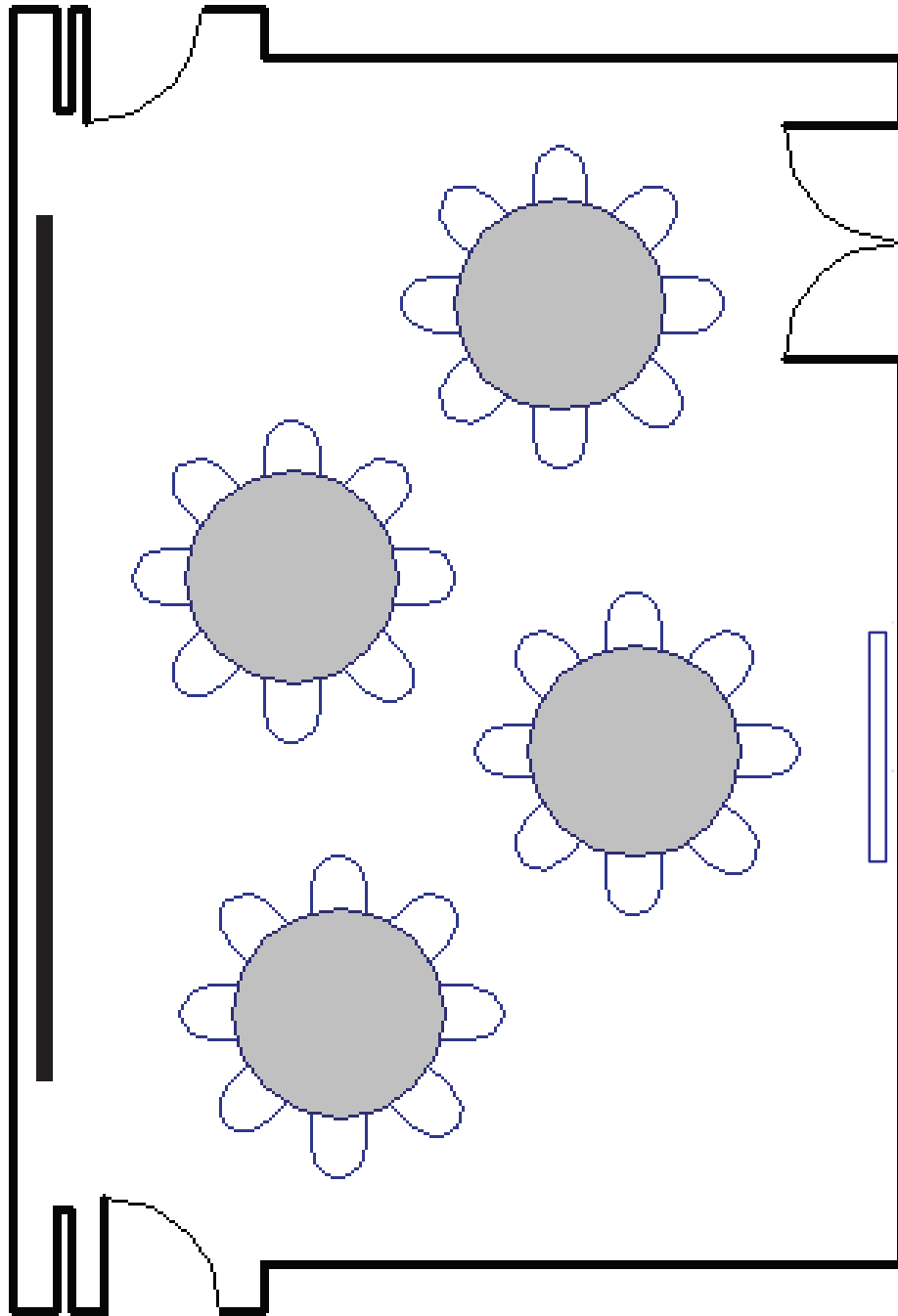


Mirror



\*Please note that the addition of catering or any additional services or features will affect your max seating. Please contact your event specialist for additional information on this matter.

MAIN ENTRY



MAIN ENTRY

## ROUNDS CONFIGURATION

682 SQ/FT

22' x 31'9"

MAX SEATING: 32\*

## SYMBOL KEY

Chair



Table



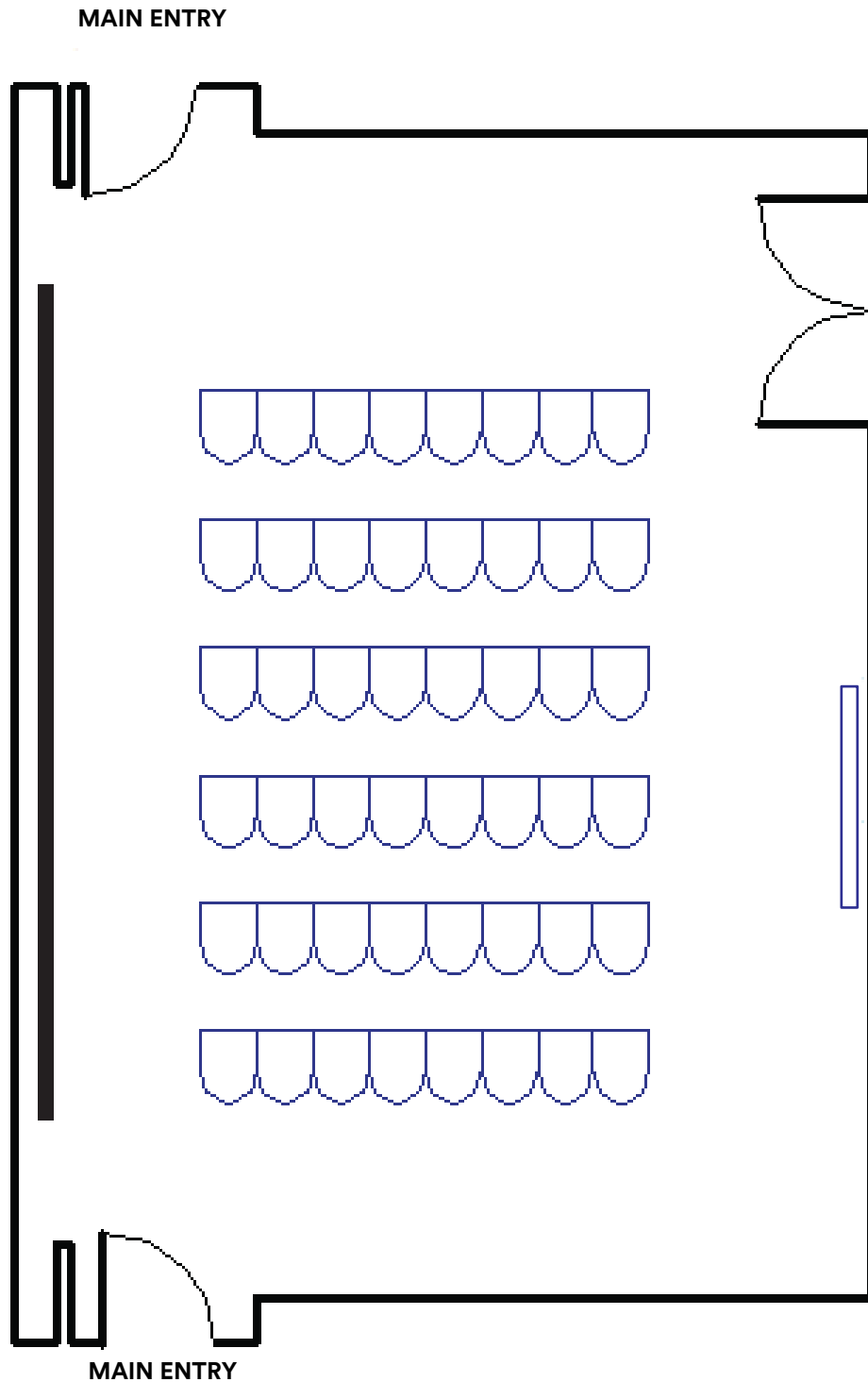
White Board



Mirror







\*Please note that the addition of catering or any additional services or features will affect your max seating. Please contact your event specialist for additional information on this matter.



**THEATER CONFIGURATION**  
 682 SQ/FT      22' x 31'9"  
 MAX SEATING: 48\*

**SYMBOL KEY**

Table	White Board
	
Chair	Mirror
	

\*Please note that the addition of catering or any additional services or features will affect your max seating. Please contact your event specialist for additional information on this matter.