

# ACCOUNTING

BBA

2009-2010

COB ADVISING OFFICE ■ BA 123 ■ 940-565-2110 ■ COBADVISING@UNT.EDU

## COURSE REQUIREMENTS

### University Core (42 hours)

Please see the UNT catalog or the COB Advising and Students Services Office in BA123 for specific core requirements.

### Pre-Business Requirements (15-24 hours)

ECON 1100 & 1110 (6 hrs)	Micro and Macroeconomics
COMM 1010 (3 hrs)	Introduction to Communications
MATH 1190 or 1400 (3 hrs)	Math with Calculus
Free Elective (0-9 hrs)	Free Electives
BCIS 2610 (3 hrs)	Introduction to Computers in Business
ACCT 2010 & 2020 (6 hrs)	Principles of Accounting I & II
DSCI 2710 (3 hrs)	Data Analysis with Spreadsheets

**IMPORTANT NOTICE:** Students must have a 2.7 UNT GPA and have earned a grade of "C" or higher in the following courses prior to filing a degree plan and enrolling in upper level business courses: ENGL 1310 & 1320/2700, ECON 1100 & 1110, MATH1190/1400, BCIS 2610, ACCT 2010 & 2020, and DSCI 2710.

### Business Foundation Courses (24 hours)

MGMT 3330**, MKTG 3010, or BCIS 3615 (3 hrs)	Business Communication
BLAW 3430 (3 hrs)	Legal and Ethical Environment of Business
BCIS 3610 (3 hrs)	Basic Information Systems
MKTG 3650 (3 hrs)	Foundations of Marketing Practice
DSCI 3710 (3 hrs)	Business Statistics
FINA 3770 (3 hrs)	Finance
MGMT 3720 (3 hrs)	Organizational Behavior
BUSI 4940 (3 hrs)	Business Policy*

\* All business foundation courses must be completed with a grade of "C" or higher prior to enrolling in BUSI 4940 which is taken in the last semester.

\*\* MGMT 3330 is strongly recommended for individuals planning on taking the CPA exam

### Professional Field (19 hours)

ACCT 3110 (3 hrs)	Intermediate I
ACCT 3120 (3 hrs)	Intermediate II
ACCT 3270 (3 hrs)	Cost Accounting
ACCT 3405 (1 hr)	Professional Development
ACCT 4100 (3 hrs)	Accounting Systems
ACCT 4300 (3 hrs)	Taxation
ACCT 4400 (3 hrs)	Auditing

### Supporting Field (12 hours)

BCIS 4660 or 4690 (3 hrs)	Decision Sys. Design or Info Tech Mgmt
ECON 3xxx-4xxx (3 hrs)	Advanced Economics
Approved Elective (3 hrs)	BCIS 3xxx-4xxx, MGMT 3830, MGMT 4810, or DSCI 3870
International Course (3 hrs)	MGMT 4660, MKTG 4280, BLAW 4480, or FINA 4500

A 2.7 UNT, 2.0 Overall, and 2.7 Professional Field GPA is required for graduation.

A grade of "C" or higher is required in all Business Foundation, Professional Field, and Supporting Field courses.

Effective Fall 2004: Students may not retake any accounting course which is a prerequisite for an accounting course they have completed with a "C" or better. Furthermore, students may not retake any accounting course more than once (for a total of two times).

For more information on careers and companies recruiting graduates from this program, contact April Kuykendall, BBA/BS Career Advisor, at 940-565-2707 or [aprilk@unt.edu](mailto:aprilk@unt.edu).



**[WWW.COB.UNT.EDU/PROGRAMS/UNDERGRAD/](http://WWW.COB.UNT.EDU/PROGRAMS/UNDERGRAD/)**

## Suggested Curriculum Guide for BBA in ACCOUNTING 2009 & 2010 Catalog Years

YEAR	FALL SEMESTER	HOURS	SPRING SEMESTER	HOURS
<b>FRESHMAN</b>	English (ENGL 1310, 1313)	3	English (TECM 2700, preferred) or (ENGL 1320, 1323)	3
	Mathematics (Prerequisite course to Math 1190, if required)	3	<b>Mathematics (MATH 1190, 1400, 1710, or 1720)</b>	3
	History (HIST 2610)	3	History (HIST 2620)	3
	Political Science (PSCI 1040 or 1050)	3	<b>Economics (ECON 1100)</b>	3
	Understanding the Human Community	3	<b>Intro to Computers (BCIS 2610)</b>	3
	<b>Total</b>		<b>15</b>	

YEAR	FALL SEMESTER	HOURS	SPRING SEMESTER	HOURS
<b>SOPHOMORE</b>	Humanities	3	Laboratory Science	3
	Laboratory Science	3	Speech (COMM 1010) (Understanding the Human Community)	3
	<b>Economics (ECON 1110)</b>	3	Political Science (PSCI 1040 or 1050)	3
	<b>Accounting (ACCT 2010)</b>	3	<b>Accounting (ACCT 2020)</b>	3
	Visual and Performing Arts	3	<b>Data Analysis with Spreadsheets (DSCI 2710)</b>	3
	<b>Total</b>		<b>15</b>	

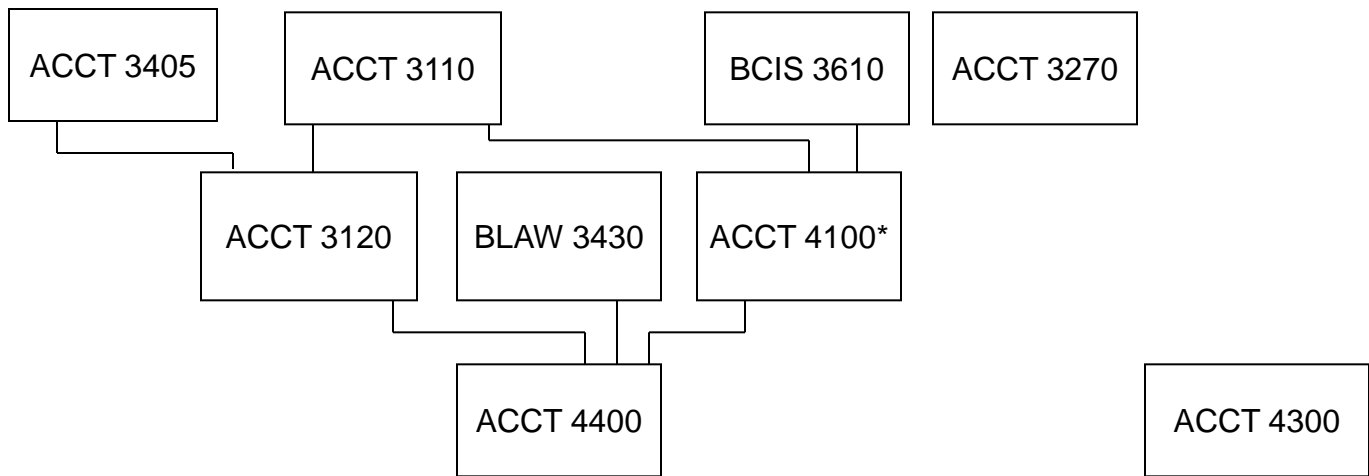
YEAR	FALL SEMESTER	HOURS	SPRING SEMESTER	HOURS
<b>JUNIOR</b>	Basic Information Systems (BCIS 3610) *	3	Legal and Ethical Environment of Business (BLAW 3430) *	3
	Intermediate Accounting I (ACCT 3110)	3	Intermediate Accounting II (ACCT 3120)	3
	Cost Accounting (ACCT 3270)	3	Accounting Info Systems (ACCT 4100) or Tax (ACCT 4300)	3
	Foundations of Marketing Practice (MKTG 3650) *	3	Finance (FINA 3770) *	3
	Business Statistics (DSCI 3710) *	3	Free Elective	2
	Professional Development (ACCT 3405)	1		
<b>Total</b>		<b>16</b>		<b>14</b>

YEAR	FALL SEMESTER	HOURS	SPRING SEMESTER	HOURS
<b>SENIOR</b>	BCIS 4660 or 4690 or 4740	3	Business Policy (BUSI 4940)	3
	Business Communications (MGMT 3330, preferred) or (MKTG 3010 or BCIS 3615) *	3	Free Elective	3
	Tax (ACCT 4300) or Accounting Info Systems (ACCT 4100)	3	Auditing (ACCT 4400)	3
	Advanced Economics (ECON 3xxx-4xxx)	3	Approved Supporting Field Elective	3
	Organizational Behavior (MGMT 3720) *	3	International Course	3
	<b>Total</b>		<b>15</b>	

\*These courses are business foundation courses and must be completed with a grade of C or higher prior to enrolling in Business Policy (BUSI 4940).

- This schedule is only a suggestion; make sure you understand the necessary prerequisites for each course and consult your Accounting Department Advisor in the Undergraduate Advising Office. Course availability subject to change; actual degree audits may change depending on course availability in a given semester.
- **Bolded courses** are pre-business prerequisites to all jr./sr. level business courses and require a grade of C or higher. Math placement is required before enrolling in any MATH course.
- Completion of all pre-business prerequisite courses and a UNT cumulative 2.7 minimum gpa are required prior to enrolling in any jr./sr. level business courses and/or filing for an official degree plan.
- A total of 120 credit hours are required for this degree. GPA requirements for graduation: 2.7 UNT cumulative, 2.7 Professional Field, and 2.0 Overall.
- Sometimes multiple university requirements can be addressed by a single course. Ensure you understand your course and credit hour obligations.

## BBA ACCT Recommended Sequencing



- \*Corequisite: Must be taken concurrently with, or after, ACCT 3120
- Check current catalog for additional course prerequisites