



Professor Saraju P. Mohanty

Department of Computer Science and Engineering
Award-Winning Author and Editor

Research Funding: NSF, SRC, Air Force, IUSSTF, Mission Innovation

Research Group: 6 Ph.D. Students, Smart Electronic Systems Laboratory (SESL)

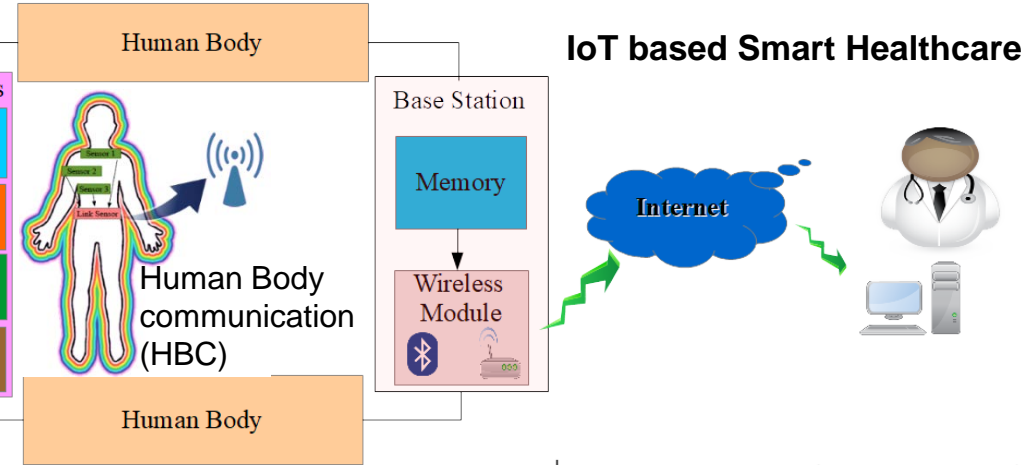
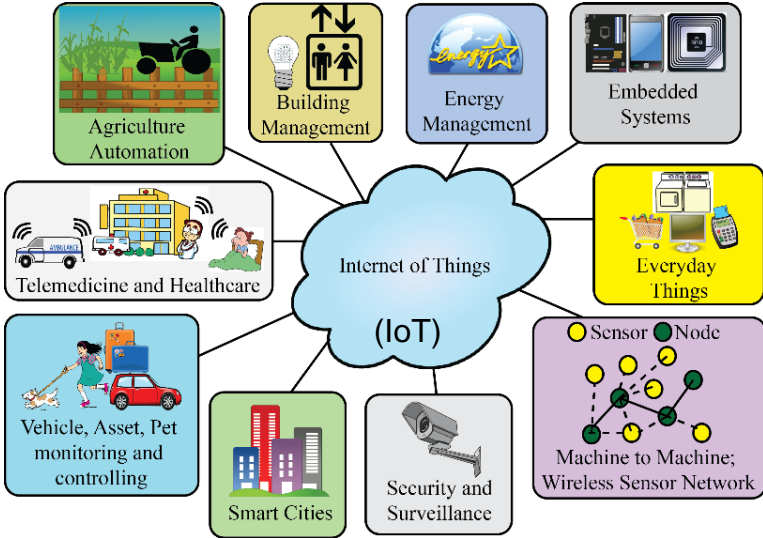
Research Products: 280 peer-reviewed articles, 4 US patents, 3 books, 29 h-index, 90 i10-index, 9 Ph.D. dissertations, 26 M.S. theses, 2 post-doctoral mentoring

Research Keywords: Consumer Electronics, Smart Cities, Smart Healthcare, Internet-of-Things (IoT), IoT Security, Hardware-Assisted Security, Smart Electronics, Smart Sensors, VLSI Circuits and Systems

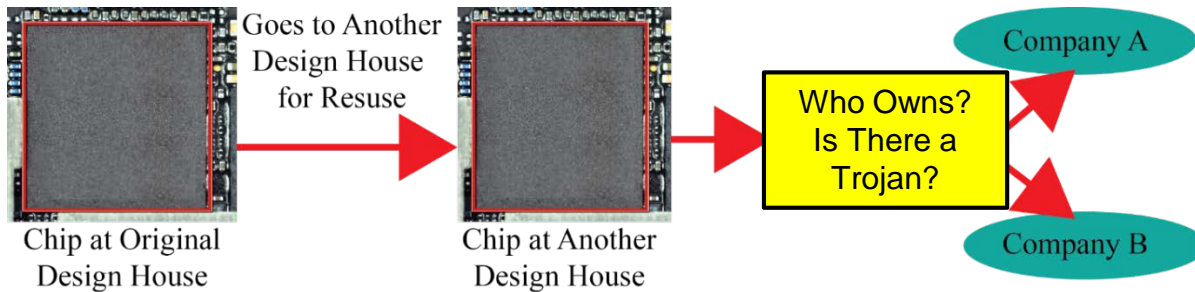
Website: <http://www.smohanty.org>



Consumer Electronic Systems for Smart Cities



Hardware-Assisted Security



Electronic System with Security and Protection Capability

