

APPENDICES

APPENDIX A – PUBLIC COMMUNICATIONS

December 2007
Vol. 1 • Issue 1

We'd like to hear from you

Rocky Mountain Power is holding four public open house meetings to share information regarding the project in your area. Everyone is welcome to attend. **Meetings are scheduled for:**

• **Malad, Idaho**

Tuesday, January 8, 2008
5 p.m. – 7 p.m.
Malad Elementary School
250 West 400 North
Malad

• **Brigham City, Utah**

Wednesday, January 9, 2008
5 p.m. – 7 p.m.
Box Elder High School
380 South 600 West
Brigham City

• **Downey, Idaho**

Thursday, January 10, 2008
5 p.m. – 7 p.m.
Downey Elementary School
88 South 4 East
Downey

• **Garland, Utah**

Wednesday, January 16, 2008
5 p.m. – 7 p.m.
Bear River Middle School
300 East 1500 South
Garland

Keeping you informed

To submit a question or comment about this project, e-mail us at ConstructionProjects@pacificorp.com or call (801) 220-4221. Please be sure to include the project name (Populus to Ben Lomond 345 kV Transmission Line) when you contact us.

You'll also find more information on our Web site at www.rockymountainpower.net/transmission.

transmission lines

Important news about Rocky Mountain Power's Populus to Ben Lomond transmission line project

New transmission project to help meet region's growing demand for electricity

As part of a \$4.1 billion-plus investment in new transmission facilities announced in 2007, Rocky Mountain Power plans to construct a new double-circuit 345 kilovolt (kV) transmission line from the Populus substation to be built near Downey, Idaho, to the existing Ben Lomond substation in Box Elder County, Utah.

Why is the new transmission line needed?

Rocky Mountain Power is committed to providing safe, reliable service to its customers in Utah, Idaho and Wyoming in the most efficient and cost-effective manner. Demand for electricity is growing in the area, and the company will need additional transmission capacity in the next 10 years to meet its obligation to serve customers. The new transmission line will connect the southeast Idaho transmission system to the Wasatch Front to serve the growing electrical needs of customers. The new transmission line and substation will also provide improved operational flexibility to connect future generation resources, including renewable resources such as wind.

How were the Populus substation site and transmission line route selected?

During the past year, Rocky Mountain Power has been conducting an in-depth substation and transmission line siting study. Numerous route and substation alternatives were considered for the location of the proposed facilities. Criteria used to identify the preferred



route and substation site included: community, social, environmental, technical, and land-use factors and the economic aspects of these alternatives. The siting study has been completed and the transmission line route and Populus substation site have been selected.

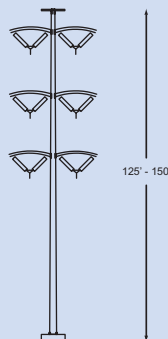
Populus to Ben Lomond project overview

The Populus to Ben Lomond transmission project will consist of the following new or expanded facilities:

- A new 345 kV substation (Populus) located near Downey, Idaho, along an existing high voltage transmission line corridor will be the northern terminating point of the new transmission line. Initially, a 345kV yard will be developed at Populus, but it also will be configured to facilitate additional transmission lines in the future.
- A new 345 kV double-circuit transmission line will be constructed in a new right of way corridor from the Populus substation to the existing Ben Lomond substation in Box Elder County, Utah, a distance of approximately 90 miles.
- Construction of new access roads and improvement to existing access roads will be needed along the 345 kV transmission line between Ben Lomond and Populus to allow for construction and maintenance activities.

(continued)

Typical 345 kV structure to be used in the new transmission line project.



(continued from front)

- Single-pole steel structures, approximately 125-150 feet tall, will be used for the transmission line. Structures will be placed 600-900 feet apart, or about 6-8 structures per mile.
- Temporary work areas will be developed for construction activities and site preparation work.

Project schedule

Rocky Mountain Power is in the process of meeting with agencies and others impacted to gather input on the project. Public open house meetings will also be held with local residents to provide general project information as well as information specific to the facilities proposed in the immediate area. Required permits will then be prepared and submitted for approval. Once the required permits have been obtained, construction on the project will begin. A proposed timeline is outlined below.

Timeline for the project

October 2007 – January 2008
Stakeholder/Agency briefings

January 2008 Public informational
open house meetings

February 2008 – September 2008
Project permitting

June 2008 – June 2010
Project construction

June 2010 Project in service



This map shows the Populus to Ben Lomond transmission corridor project area. Rocky Mountain Power is planning to add a new transmission line to the corridor to meet the growing demand for electricity and to better serve customers.

Important news about Rocky Mountain Power's Populus to Ben Lomond transmission line project



transmission lines

For further information, contact:
Rocky Mountain Power
www.rockymountainpower.net/transmission
E-mail: ConstructionProjects@pacificorp.com
Phone: (801) 220-4221

Important: Public open house meetings to be held in your area. See inside for dates and times.

Rocky Mountain Power invites you to attend

Open House Meetings to discuss a new substation and transmission line

As part of a \$4.1 billion-plus investment in new transmission facilities announced in 2007, Rocky Mountain Power plans to construct a new double-circuit, 345 kilovolt (kV) transmission line from the Populus substation, to be built near Downey, Idaho, to the existing Ben Lomond substation in Box Elder County, Utah.

Rocky Mountain Power is holding four public open house meetings to share information regarding the project in your area. Everyone is welcome to attend. Meetings are scheduled for:

Malad, Idaho

Tuesday, January 8, 2008

5 p.m. – 7 p.m.

Malad Elementary School

250 West 400 North

Malad

Brigham City, Utah

Wednesday, January 9, 2008

5 p.m. – 7 p.m.

Box Elder High School

380 South 600 West

Brigham City

Downey, Idaho

Thursday, January 10, 2008

5 p.m. – 7 p.m.

Downey Elementary School

88 South 4 East

Downey

Garland, Utah

Wednesday, January 16, 2008

5 p.m. – 7 p.m.

Bear River Middle School

300 East 1500 South

Garland





June 9, 2008

Dear property owner:

At the request of Brigham City Mayor Lou Ann Christensen, Rocky Mountain Power invites you to a special open house meeting regarding its proposal to construct a new electric transmission line in Box Elder County. This invitation is being extended to property owners within approximately 1,000 feet of the company's preferred route alignment.

Details

Monday, June 16, 5-7 p.m.
Brigham Senior Citizens Center
24 N. 300 West Brigham City

Open House Format

First hour: Information stations with maps; an opportunity to write and submit additional written questions. Questions will then be sorted and grouped by city staff.

Second hour: Written questions will be addressed and discussed.

Please join us to further discuss this important issue.

Populus to Ben Lomond

345kV transmission line project

As part of a \$4.1 billion investment in new transmission facilities announced in 2007, Rocky Mountain Power plans to construct a new double-circuit 345 kilovolt (kV) transmission line from the Populus substation to be built near Downey, Idaho to the existing Ben Lomond substation in Box Elder County, Utah.

Project purpose and need

Rocky Mountain Power is committed to providing safe, reliable electrical service to its customers in Utah, Idaho and Wyoming in the most efficient and cost-effective manner. Due to population growth and the increasing needs of existing customers, the company will need additional transmission capacity in the next 10 years to meet its obligations. The new transmission line will connect the southeast Idaho transmission system to the Wasatch Front to serve the growing electrical needs of customers. The new transmission line and substation will also provide improved operational flexibility in conjunction with future generation resources, including renewable resources such as wind.

Project description

The project will consist of the following new or expanded facilities:

- A new 345kV substation (Populus) located near Downey, Idaho along an existing high voltage transmission line corridor will be the northern terminating point of the new transmission line. Initially, a 345kV substation yard will be developed at Populus, but it also will be configured to facilitate additional transmission lines in the future.
- A new 345kV double-circuit transmission line will be constructed in a new right of way corridor from the Populus substation to the existing Ben Lomond substation in Box Elder County, Utah, a distance of approximately 90 miles.
- The Ben Lomond Substation will be expanded on company-owned property to accommodate the new line.
- Construction of new access roads and improvement to existing access roads will be needed along the 345kV transmission line between Ben Lomond and Populus to provide for construction and maintenance activities.
- Temporary work areas will be developed for construction activities and site preparation work.

(continued)



This map shows the Populus to Ben Lomond transmission corridor project area. Rocky Mountain Power is planning to add a new transmission line to meet growing demand and better serve customers.

Populus to Ben Lomond

345kV transmission line project

Route selection process

During the past year Rocky Mountain Power has been conducting an in-depth substation and transmission line siting study. Numerous route and substation alternatives were considered for the location of the proposed facilities. Criteria used to identify the preferred route and substation site included: community, social, environmental, technical, and land-use factors, and the economic aspects of these alternatives. The analysis has been completed and the preferred line route and Populus substation site have been selected.

Structure type

- Single-pole steel structures, approximately 125-150 feet tall, will be used for the transmission line.
- Structures will be placed 600-900 feet apart, or about 6-8 structures per mile.

Project timeline

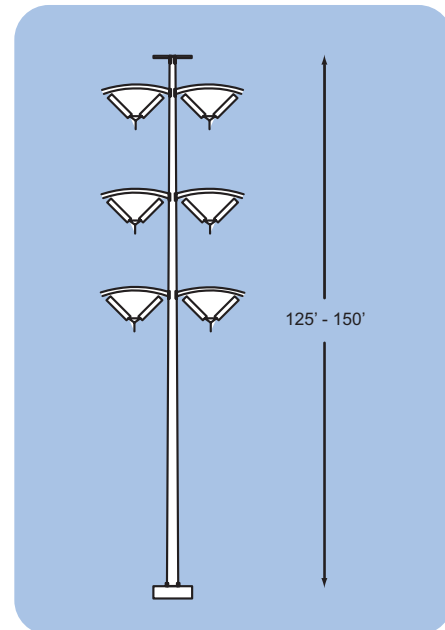
Rocky Mountain Power is currently in the process of meeting with the agencies and others impacted to gather their input regarding the project. Public open house meetings, scheduled in January 2008, will provide local residents general project information as well as information specific to the facilities proposed in the immediate area. Required permits will then be prepared and submitted for approval. Once the permitting process is completed and the required permits have been approved, construction of the project will begin. The schedule for the project is:

- **Stakeholder/Agency briefings:** August – November 2007
- **Public Informational Open House Meetings:** January 2008
- **Project permitting:** February 2008 – September 2008
- **Project construction:** June 2008 – June 2010
- **In-service date:** June 2010

Contact information

For more information visit Rocky Mountain Power's Web site at: www.rockymountainpower.net/transmission.

To submit a question or comment, contact us by e-mail at ConstructionProjects@pacificorp.com or call 801-220-4221.



Typical 345kV structure to be used in the new transmission line project.

Questions Regarding The Populus to Ben Lomond Transmission Line

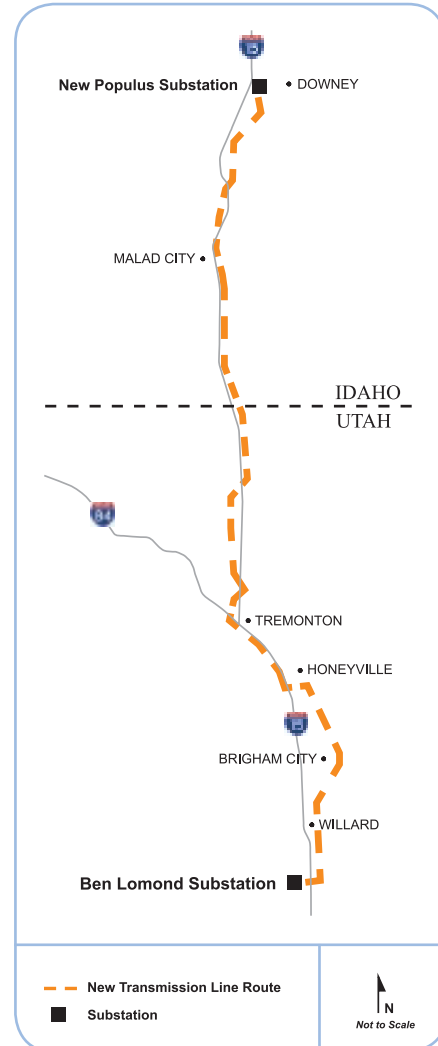
This region is enjoying both the benefits of a growing economy and the challenges of providing the infrastructure necessary to meet that growth. Nowhere is this more evident than in the electric infrastructure required to meet Rocky Mountain Power customers' growing demand for electricity. Electrical consumption has grown by more than 26 percent per customer over the past 20 years in Rocky Mountain Power's service territory. This growth in customer usage, coupled with the strong economic growth enjoyed throughout the region has fully utilized the transmission capacity that was built into the system some 25 years ago. New transmission lines are required to ensure customers now and in the future have access to safe reliable electricity. Rocky Mountain Power takes very seriously its role as a provider of an essential public service and continues to commit the resources to meet growing demand of its customers.

The following questions and answers have been developed in response to issues raised by community leaders, property owners and customers. Attached to this document is a list of specific issues with references to the following. For additional information please call the project staff at 1-801-220-4221 or email at ConstructionProjects@pacificorp.com.

Q1. Did Rocky Mountain Power seriously consider alternate routes? Is the "preferred route" settled or are changes still possible?

Rocky Mountain Power considered over 450 miles of potential transmission corridor between the future Populus substation and the company's Ben Lomond substation. The various options were evaluated on a number of factors, specifically: environmental (including environmental impacts on humans); engineering; land use as detailed in the city or county general plan documents; cost efficiency; permitting and constructability and maintenance requirements. (Note these considerations are not necessarily listed in order of importance).

After considering a number of alternatives in detail, Rocky Mountain Power selected the route identified in the company's applications for conditional use permits. The company has some limited flexibility along this route to make modifications. In fact modifications have been made in response to input by government officials,



Rocky Mountain Power is planning to add a transmission line and substations to better serve the growing needs of our customers. This map shows the proposed transmission project area.

individual property owners and further engineering analysis. Additional modifications are currently being considered, and it is also anticipated that additional small modifications to the route may be identified as we continue to work with counties, cities and specific property owners and finalize design.

Q2. Were the two alternatives presented by the Box Elder County Council of Governments evaluated using the same criteria as was used to evaluate the preferred route?

Yes. The proposals by the Box Elder County Council of Governments have been evaluated utilizing the

same factors considered during Rocky Mountain Power's original route analysis (please see the answer to question 1).

Q3. Why can't the line be placed in other transmission corridors that now exist in Franklin and Cache counties as proposed by the Box Elder Council of Governments? Isn't that route shorter?

As proposed, the corridor through Franklin and Cache counties does not meet reliability and capacity requirements of our customers in Utah and southeastern Idaho. Further, there are significant issues associated with the existence of federal Wilderness and Forest Service areas, constructability and cost.

Under the Council of Governments' proposal, the line would connect the Ben Lomond substation with the company's Treasureton substation instead of the future Populus substation. Rocky Mountain Power does not have sufficient transmission capacity into the Treasureton substation from sources in Wyoming and/or Idaho to support the transfer of an additional 1,400 megawatts to Ben Lomond substation over the planned double circuit 345 kV line.

Because the Council of Governments proposal would fail to provide the additional capacity to meet the needs of the company's Utah and southeastern Idaho customers, the issue of distance, as well as other considerations, is not relevant.

Q4. Why can't the second option proposed by the Council of Governments be utilized?

The Council of Governments second proposal provided for a transmission route that would follow I-15 through Idaho as proposed by Rocky Mountain Power, parallel the existing 138 kV line east from Plymouth to Cutler Dam then parallel or rebuild the existing 345 kV line south past Honeyville, avoiding the Bear River Migratory Bay Bird Refuge by building along I-15 from Brigham City to Ben Lomond substation.

Rocky Mountain Power currently requires three 345 kV lines from the north into the Ben Lomond substation. It appears that the Council of Governments proposal contemplated either 1) removing the existing 345 kV line and replacing it with a structure that would accommodate three 345 kV circuits or 2) paralleling the existing 345 kV line with the new double circuit 345 kV line. Given transmission structures cannot be safely and efficiently designed to accommodate three circuits at 345 kV, only the paralleling of the existing 345 kV line with the new

double circuit 345 kV line was considered.

This proposed route does not meet reliability requirements due to the proximity of the existing 345 kV line between Cutler Dam and the Ben Lomond substation.

Other considerations with respect to this proposal were as follows:

- The acquisition of additional right-of-way through Honeyville for a second line would potentially result in the relocation of 3 to 4 families
- There is insufficient space between I-15 and the railroad; the two rights-of-way abut each other
- Limited space to the east of the railroad right-of-way could require relocation of 2 to 3 families in Willard City area.

Q5. Why is it important that the new double circuit 345 kV line be built in a new corridor rather than adjacent to one of the company's existing transmission lines?

Due to the growth in the demand for electricity, many of the nation's transmission lines are currently being operated at full capacity. Consequently, the potential impact on customers and the transmission grid from outage involving multiple transmission lines carries higher risks than in previous decades.

To ensure reliability, transmission lines must be planned and constructed with required levels of redundancy. It is Rocky Mountain Power's responsibility to make certain this takes place. When a transmission line is out of service due to an unexpected or planned outage, electricity still must be provided to customers. National planning standards require utilities to plan for these outages, and the company must have additional facilities in place to serve customers during these events. This requires alternative transmission paths be available to serve customers.

It is not prudent to locate transmission lines together as it increases the risk all lines located in a common corridor can be forced out of service causing widespread outages and resulting in reduced reliability to the western transmission grid. Separation of transmission lines of this type reduces the risk of having all transmission lines serving an area forced out of service due to a single event such as fire, storm, ice or human-caused interference. And while events impacting multiple lines within a corridor are rare, they do happen.

There is no specific distance between transmission corridors or line prescribed by the North American

Reliability Council. The standards in the industry are based on performance requirements of the transmission lines. Based on these performance requirements, the greater of 500 feet or the length of the longest span (distance between transmission structures which is typically 800 to 1200 feet for this type of line) is typically provided for in the engineering design.

There are limited exceptions for relatively short distances such as areas where lines come together to enter a substation or generating plant.

Q6. Why can a common transmission corridor be utilized in Weber and Davis counties, but wide separation is required elsewhere?

From an operational standpoint, the transmission system between the future Populus substation and Ben Lomond substation is different than the system south of Ben Lomond. The company's system in Weber and Davis Counties currently includes two 345 kV circuits along with a robust 230 kV and 138 kV system between Ben Lomond and Terminal substation (south of Salt Lake International Airport). The transmission lines and substations currently located in these counties provide a greater level of redundancy in the event of an outage.

The company purchased a majority of the right-of-way through Weber and Davis counties decades ago in anticipation of growth and the resulting need for future transmission lines in this geographically constrained area. The existing system through Weber, Davis and Salt counties, with planned additions in Davis, Salt Lake and Utah counties, allow the company to use this corridor without significantly impacting reliability to our customers.

Q7. What does the Western Electricity Coordinating Council require?

The Western Electric Coordinating Council and the national planning standards provide substantial guidance on the expected system performance and reliability of individual lines and groups of lines that make up the electric system.

The council is responsible for monitoring reliability criteria, including the amount of electricity that can be transmitted over specific line segments. In addition, as a result of recent transmission outages in the nation, the council was recently given the authority to levy monetary fines if utilities fail to abide by reliability criteria. At this time, the council has taken no action with respect to Rocky Mountain Power or PacifiCorp. However, other utilities have been impacted due to non-compliance findings.

Q8. Does the threat of sanctions by the Coordinating Council impact your decisions?

The planning standards discussed earlier are federal law, and Rocky Mountain Power is required to comply with those laws. Sanctions are imposed by agencies to help insure that those standards and laws are followed. The standards exist to protect the reliability of the grid in Utah as well as the reliability of the grid in the entire West.

Q9. How were citizens notified of this project? Why weren't residents given more notice?

Rocky Mountain Power mailed a newsletter Dec. 26, 2007 to residents within 600 feet of the preferred route. The property owners' names and addresses were obtained from the various County Assessor parcel ownership records.

The newsletter provided information on the project purpose and need, project description, planning process, schedule, and contact information (including a Web site location and phone number to address questions). The newsletter also provided dates, times and locations of the open houses. Paid advertisements were placed in the Ogden Standard-Examiner and the Idaho State Journal Jan. 6, 2008. The open houses were held Jan. 8, 9, 10 and 16 (the Box Elder County meetings were Jan. 9 and 16).

We scheduled the open house meetings in a practical time frame once we had a definite proposal and the initial route information to present to residents. We have found that notice within about two weeks of an upcoming open house generally provides people sufficient time to schedule their attendance.

These open houses are meetings offered in addition to those required by the local government approval process. Collectively, more than 145 people attended the four meetings.

Q10. Who did Rocky Mountain Power representatives meet with during planning and how many changes were made based on feedback?

Rocky Mountain Power representatives conducted initial briefing meetings with 25 different stakeholders (including city, county, federal and state agencies) within the study area to introduce the project and solicit information regarding potential issues or concerns. This activity occurred between July and September 2007. The project team reviewed the purpose and need for the project and preliminary permitting approach and schedule, including public involvement. During these

meetings the potential permitting requirements were also reviewed and discussed.

Following the completion of these briefings, Rocky Mountain Power documented key issues or concerns identified by the stakeholders. A listing of the stakeholder and agency meetings is provided below.

Community Stakeholder Briefings

Idaho

- Bannock County – July 17, 2007
- Franklin County – July 17, 2007; August 21, 2007
- Malad City – August 15, 2007; August 21, 2007
- Oneida County – July 17, 2007
- Town of Dayton – August 21, 2007
- Town of Downey – July 17, 2007
- Town of Weston – August 21, 2007

Utah

- Bear River City – August 6, 2007
- Box Elder County – July 18, 2007
- Brigham City – July 18, 2007
- Cache County – August 20, 2007
- Garland City – August 7, 2007
- Honeyville City – August 6, 2007
- Perry City – August 7, 2007
- Town of Deweyville – August 7, 2007
- Tremonton City – July 18, 2007
- Willard City – August 6, 2007

Federal and State Agency Briefings/Contacts

Idaho

- Caribou National Forest (Westside Ranger District) – February 22, 2007; September 21, 2007

Utah

- Bear River Bird Refuge – February 27, 2007; August 20, 2007
- Bureau of Reclamation – August 22, 2007
- US Army Corps of Engineers – October 3, 2007
- Utah Division of Water Resources – August 17, 2007
- Utah Division of Wildlife Resources – August 20, 2007; September 24, 2007
- Utah Transit Authority – August 22, 2007

- Utah State Private Property Ombudsman – September 28, 2007
- Wasatch Cache National Forest (Logan Ranger District) – February 23, 2007

After Rocky Mountain Power conducted the alternative route analysis and identified a route in late September 2007, Rocky Mountain Power representatives met with more than 20 stakeholder groups (federal and state agencies, county and local municipalities) between November 2007 and April 2008. These meetings focused on soliciting input regarding the preferred route and reviewing permitting requirements. The meetings included the following:

Community Stakeholder Meetings

Idaho

- Bannock County – November 7, 2007; November 14, 2007
- Malad City – November 7, 2007
- Band of Onieda County Citizens – February 29, 2008; March 21, 2008
- Oneida County – November 7, 2007; January 25, 2007; February 22, 2008
- Town of Downey – November 7, 2007; April 7, 2008

Utah

- Box Elder County – November 15, 2007; December 4, 2007; February 1, 2008; March 25, 2008; April 8, 2008; April 21, 2008
- Brigham City – November 15, 2007; December 6, 2007; January 3, 2008; April 16, 2008
- Honeyville City – November 28, 2007; March 19, 2007
- Perry City – November 29, 2007; February 25, 2008
- Tremonton City – November 14, 2007; December 18, 2007; February 22, 2008
- Town of Elwood – December 11, 2007; January 25, 2008; February 22, 2008; February 29, 2008
- Town of Portage – December 18, 2007
- Willard City – November 29, 2007; February 20, 2008; February 29, 2008; April 16, 2008

Federal and State Agency Briefings/Contacts

Idaho

- Idaho Public Utilities Commission – March 13, 2008
- Idaho Transportation Department – February 27, 2008

- Idaho State Energy Office – February 15, 2008
- Oneida County - State Legislators – February 15, 2008

Utah

- Bear River Bird Refuge – January 30, 2008
- Box Elder County - State Legislators – February 15, 2008
- US Army Corps of Engineers – April 8, 2008
- Utah Division of Wildlife Resources – November 9, 2007; April 3, 2008
- Utah Department of Transportation – January 23, 2008
- Utah Public Service Commission – November 6, 2007; March 10, 2008
- Utah State Energy Advisor – April 11, 2008

In addition, four public open house meetings were conducted in January 2008 along the selected transmission line route. The meetings were conducted in Downey and Malad, Idaho, and in Garland and Brigham City, Utah (see answer 9).

Rocky Mountain Power considered comments received from citizens at the open house meetings and comments from the agency/stakeholder meetings for further project engineering refinement. Several alignment shifts and revisions were made to the project route between January and April 2008 based on citizen input, and Rocky Mountain Power will continue to review and adjust the project in areas of concern, where feasible.

Q11. What local government approvals do you require?

In Utah, Conditional Use Permit approval is required from Willard City, Brigham City, Elwood City and Box Elder County. Box Elder County also requires site plan approval for the transmission line.

In Idaho, a zoning permit was required and approved from Bannock County for the Populus substation.

Q12. Have you considered health and safety of residents who would live near these lines?

The safety of residents, Rocky Mountain Power employees and its subcontractors is a key siting criteria and core element of company philosophy. The safety of residents is not at risk or jeopardized by the proposed location of the line route.

Q13. Do electric and magnetic fields (EMF) pose a health risk to residents?

In dealing with this issue, Rocky Mountain Power relies on the findings of scientists and public health specialists, who can best evaluate the information.

More than 1,000 studies have been conducted on this subject over more than 20 years. The prevailing view of most scientists and public health officials is that evidence does not show EMF exposure from power lines to be a hazard to human health.

Some may have read about epidemiology studies (the statistical analysis of environmental factors and human diseases) that have indicated an association between magnetic fields from power lines and incidence of disease. These findings, however, are not considered reliable evidence of cause and effect because the associations are weak. Cellular and animal studies have not yielded any conclusive evidence of risk to human health from magnetic fields and power lines.

Q14. What about the safety of horses or cattle under the transmission line?

Research has been conducted on the possible effects of EMF on the health, behavior and productivity of wild and domestic animals, including cattle. Since the 1970s, this research has been carried out in response to concerns about the effects of high-voltage and ultra-high-voltage transmission lines in the vicinity of farms and the natural habitat of wild animals. Agricultural departments at universities overseas and across Canada and the United States have conducted research on an assortment of animals using a variety of study designs, from observational studies of animals in their natural habitats to highly controlled experimental studies. The research does not suggest that magnetic or electric fields result in adverse effects on the health, behavior or productivity of fauna, including livestock such as dairy cows, sheep, pigs, and a variety of other species including small mammals, deer, elk, birds and bees.

Q15. Do environmental considerations outweigh the rights of private citizens?

The rights of private property owners and the use of lands held by the state or federal government are of equal importance. The use of any of these properties must be balanced against the impact and benefits of essential public services like electric utility service.

It is without question that the benefits of this transmission project will contribute significantly to reliable, reasonably priced electricity for all residents of Utah and southeastern Idaho. Those citizens whose property is utilized for the project will be fairly compensated for that use in the manner provided by law. Rocky Mountain Power has many such agreements with property owners and is committed to deal fairly and honestly. This includes independent appraisals and good-faith negotiations to achieve a mutually agreeable compensation for property owners.

A major component of our siting criteria was to avoid residential inhabited structures, where ever possible. Given the current residential development levels in the study area this was no easy task.

Q16. Why can't federal lands be utilized rather than land of private owners?

Utilizing federal lands for transmission lines requires compliance with several federal laws, including the National Environmental Policy Act (NEPA). The review process can two years or longer to complete. Federal law and the process governing the use of public lands typically requires utilities to identify and consider routing options other than on public lands. There is no guarantee that the federal government would grant a right-of-way for the project at the completion of the NEPA review.

Q17. What property rights must the utility acquire?

Rocky Mountain Power's first choice is to purchase the right-of-way corridor in fee from the landowner. Where local subdivision regulations prohibit this option or land owners would prefer to enter into an agreement for the sale of an easement, Rocky Mountain Power will negotiate easements with the landowner.

The typical right-of-way width for this line configuration is 150 feet (75 feet on each side of centerline). No buildings are allowed within the transmission line right-of-way. Buildings and other structures located in the transmission corridor restrict access to the transmission lines for construction, inspection and maintenance activities. They also increase the likelihood of clearance violations and accidental contacts with high voltage. Whether the property is acquired in either fee or easement, the landowner will have the ability to continue to use the property for agricultural or similar activities that do not interfere with the access, line clearance or transmission structures.

Where feasible, Rocky Mountain Power has tried to site

the transmission line along existing linear features such as roads, an existing 138 kV transmission line and pipelines to minimize the effects of the new right-of-way by taking advantage of public right-of-way previously established.

Q18. An in-service date of 2010 seems like a very tight time frame. Is the company planning for these types of projects?

Changes in environmental and energy policies and regulations are prompting utilities throughout the United States to reevaluate proposed new generating resources, and as a result, transmission additions and upgrades. Policy makers are seeking: 1) resource diversity; 2) energy security in both the supply and delivery of energy; and 3) environmental considerations. The expansion of the transmission system is critical to ensure reliable, reasonably priced energy for consumers under new and pending policies and regulations.

Rocky Mountain Power is continually evaluating its ability to ensure customers throughout Utah, Idaho and Wyoming have access to reliable electric service. Generation and transmission plans are updated to reflect changes in regulations, customer usage and usage patterns, the availability of existing generation, wholesale electricity purchases from other producers, fuel price and other factors.

The Populus-to-Terminal transmission segment is the first major expansion of the company's 345kV transmission system since the mid-1980s. The need for this particular transmission segment has been discussed in concept for several years with utility regulators and energy policy officials at state levels.

Rocky Mountain Power met with federal and state agencies, and the staff of cities and counties between July and September 2007, to discuss the project and permit requirements. The information was evaluated and the preferred route selected in late September 2007.

The project schedule is driven by the growing demand for electricity by Rocky Mountain Power customers and the need to access new and existing generating resources. There are several factors which could potentially impact the in-service date: weather; construction resource availability; commodity prices; permitting and right-of-way acquisition. All of these issues as well as contingencies for delays are factored into Rocky Mountain Power's planning process. Those contingencies involve limiting the capability of the system to ensure its reliability, which will further impact our ability to meet growing demand.

Q19. Why can't the company spend more money to locate the route farther away from people?

Environmental factors, engineering, land use as detailed in the city or county general plan documents, cost efficiency, permitting, constructability and maintenance requirements are all considerations in identifying the route of a new transmission line.

All of the company's assets used to generate and deliver electricity are supported by revenues from our customers. When we select the lowest-cost option considering the items listed above, we do so because it is in the best interests of our customers.

Q20. What about the risk of earthquake from the fault lines on the route?

According to the geotechnical engineering report prepared by a consulting engineer, a segment of the proposed transmission line runs generally parallel and possibly crosses the Wasatch Fault Zone between Ogden and Honeyville. The Wasatch Fault system is a normal fault with ground to the west falling (hanging wall) with respect to the mountains to the east. Rocky Mountain Power has considered the seismic forces from the Wasatch Fault in the geotechnical engineering design of the foundation for the proposed transmission structures. In addition, the transmission line will be designed in accordance to the company policy to make sure the Wasatch Fault has the least likely affect on the transmission structures during a seismic event.

Q21. Why do you request pipeline construction on your property easements?

Rocky Mountain Power's easement language does not reference pipeline construction. The language in Rocky Mountain Power's easement document states:

"The purpose of this Easement is to allow Grantee to construct, reconstruct, operate, maintain, relocate, enlarge, alter, and remove electric power lines, communication lines, and related equipment, including supporting towers and poles, guy anchors, conductors, wires, cables and other lines, and all other necessary or desirable equipment, accessories and appurtenances thereto on, over, or under the Easement Area."

That being said, the existence of a natural gas pipeline in the proposed right-of-way is not considered an engineering or safety risk. Technical studies are performed, according to the respective pipeline company policy, in order to make sure that the pipeline and transmission line facilities are

safe within Rocky Mountain Power's right-of-way. The pipelines are coated and grounded according to federal safety standards and Rocky Mountain Power's pipeline coordination policy.

Rocky Mountain Power has contacted El Paso Natural Gas Company and Questar Pipeline Company about existing and proposed facilities along the line route. Coordination of engineering efforts between the companies is ongoing. However, Rocky Mountain Power is not negotiating on behalf of or acquiring property rights for any other entity at this time. If that status were to change, new language would be required in our easements.

Q22. Are you planning to build a generating project near Downey, Idaho? Why have you purchased 320 acres there? Any plans for a nuclear project?

The 320 acres are to be utilized for the 345kV electrical equipment necessary to support the new Populus-to-Ben Lomond transmission line and connections to the existing 345kV transmission corridor. This substation will accommodate the interconnection of three existing circuits and the addition of two new circuits as part of this project.

The land will also be utilized for Rocky Mountain Power's long-range plans identifying the need for two additional 500kV high-voltage transmission lines that will interconnect with the Populus substation in the 2012-2014 timeframe. This will require an expansion of the substation.

Rocky Mountain Power has no plans for a generating plant at the Populus substation and no plans to develop a nuclear plant.

Q23. What impact does the potential of heavy particulates, smoke and heavy winds have on the design and routing of a transmission line?

All three can impact the performance of a transmission line if not properly addressed. Consequently they must be considered in the identification of a route, and the design and construction of the transmission lines. The new corridor provides an additional level of redundancy reducing the risk of disruption of service to customers if transmission lines in one corridor are adversely impacted.

Q24. What impact do the pollutants from vehicles have on the design and routing of a transmission line near a major interstate highway or freeway?

While automobile emissions can be of concern in heavily congested traffic areas, they do not present an issue

in Box Elder County. Interstate 15 (I-15) is an existing transportation corridor and an area of previous land use for essential public services. The proposed transmission line route can be sited directly adjacent to the I-15 right-of-way, which minimizes disturbance to existing land uses and private property.

Q25. What impact does the existence of wetlands or swamp lands have on the routing of a transmission line?

The Populus to Ben Lomond transmission line route avoids wetland areas where possible due to environmental sensitivity issues and engineering constraints. Jurisdictional wetlands are protected under federal law by the US Army Corps of Engineers as part of the Clean Water Act – Section 404. In addition, wetlands are considered engineering constraint areas because construction and maintenance access to the transmission line can be limited at certain times of the year and foundation construction is more costly due to unstable soils.

Q26. What impact does a transmission line have on property value?

Based on market study evaluations, experience with growth and development near power lines in Utah and in consultation with MAI appraisers, it is generally believed that power lines in the vicinity of homes do not diminish property value. Rocky Mountain Power has witnessed a substantial amount of commercial and residential development near and in some cases within major transmission line corridors. For those properties that are directly within a transmission line easement, the overall impact of a transmission line to a given parcel of land is typically dependent upon the type of land use and the location of the transmission line. Impacts may be greater or lesser depending on the unique circumstances of any given property. Rocky Mountain Power is required by law to pay fair compensation for the acquisition of easements for siting transmission lines. Compensation is based upon market study evaluations and specific appraisals. Rocky Mountain Power hires MAI certified appraisers to establish the value of the easements it acquires.

Q27. Please further explain the environmental and “sensitive habitat” considerations in determining the route for the transmission line.

Sensitive biological resources in the study area were identified using publicly available secondary data from Utah Division of Wildlife Resources (UDWR), Idaho Department of Fish and Game (IDFG), The Nature Conservancy (TNC), US Fish & Wildlife Service (USFWS), US Forest Service (USFS), Bureau of Land Management (BLM) and Natural Resources Conservation Service (NRCS), among others. Geographic data on the occurrence of special status plant and wildlife species in the project area, including threatened and endangered species, was obtained from the Utah Natural Heritage Program, Idaho Conservation Data Center and Idaho Native Plant Society.

Threatened and endangered plants and wildlife are listed under the Endangered Species Act of 1973, as amended (ESA). Under the ESA, all listed species and their habitats receive protection from potentially detrimental impacts and/or “take,” as defined in the ESA. Listed species are protected by the USFWS and the laws pertaining to them are enforced across all jurisdictions. The UDWR and IDFG have sensitive species lists for their respective states. Additionally, both the BLM and USFS maintain individual listings of sensitive plant and wildlife species.

The threatened and endangered species information for the project study area was reviewed, analyzed and considered as part of the overall route comparison and selection process. Once right-of-entry onto private land is obtained for the proposed project right-of-way, a wetland delineation survey and Ute Ladies-tress (*Spiranthes diluvialis*) habitat survey will be conducted for the project. Results of these surveys will be coordinated with the US Army Corps of Engineers and other agencies as necessary.

Q28. Will Rocky Mountain Power provide Brigham City with additional information in support of its conditional use permit application?

Yes. Additional information was provided to Brigham City’s planning and zoning commissions during and following a work meeting that occurred on June 3.


[For Your Home](#)
[For Your Business](#)

PacifiCorp: Rocky Mountain Power

News
Customer Service
Save Energy & Money
Safety
Renewable Energy
Community Services
About Us
Information for Contractors

[Contact Us](#)
[Información en Español](#)

/// Populus to Ben Lomond project

Project overview

As part of the new investment in new transmission facilities announced in 2007, Rocky Mountain Power plans to construct a new double-circuit 345 kilovolt (kV) transmission line from the Populus substation to be built near Downey, Idaho to the existing Ben Lomond substation in Box Elder County, Utah (approximately 90 miles). The Ben Lomond substation will also be expanded on company-owned property to accommodate the new line. More details are included in this [fact sheet](#), and you can read about the project in the [newsletter](#) for our customers. A document has also been created to answer [Frequently Asked Questions](#) regarding this project.

Project timing

- Informational meetings -- completed February 2007
- Permitting and obtaining the rights of way -- Summer 2008
- Construction -- Summer 2008 - 2010
- Bring line in service -- 2010

Additional Information about this project

- Preliminary maps
 - - [Bannock County](#)
 - [Box Elder County #1](#)
 - [Box Elder County #2](#)
 - [Box Elder County #3](#)
 - [Box Elder County #4](#)
 - [Box Elder County #5](#)
 - [Box Elder County #6](#)
 - [Box Elder County #7](#)
 - [Oneida County #1](#)
 - [Oneida County #2](#)
 - [Oneida County #3](#)

(Updated June 24, 2008)

[Home](#) · [Contact Us](#) · [Search](#) · [Site Map](#) · [Privacy](#)

Copyright © 2008 Rocky Mountain Power; a Division of PacifiCorp

03/04/2008 10:12:11 FAX
MAR-04 2008 WED 08:09 AM OREGON NEWSPAPERS

FAX NO. 5036399009

0002/002
P. 02

STATE OF UTAH
COUNTY OF ~~WASATCH~~ AFFIDAVIT OF PUBLICATION

In The Matter Of: Rocky Mtn. Fowar - "Populus Lomond Open House Meetings"

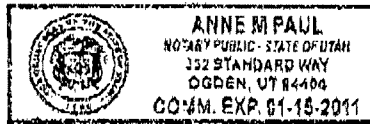
This is to certify that the above 5x8 ad appeared in

(paper) Standard-Examiner
on (date) Jan 6, 2008

Murray Andrew Johnson
Signature

Sworn to before me this 4th day of March 2008

Anne M. Paul
Notary Public



Canada beats Sweden 3-2 in overtime for fourth straight junior title

PARDUBICE, Czech Republic — Matt Halischuk gave Canada its fourth straight world junior hockey title Saturday night, scoring 3:36 into overtime for a 3-2 victory over Sweden.

After Brad Marchand and Claude Giroux gave Canada a 2-0 lead in the first period, Jonathan Carlsson and Tomas Larsson tied it in the third, with Larsson scoring with 38 seconds left in regulation and goalie Jhonas Enroth off for an extra attacker.

With the victory, Canada avenged a 4-3 preliminary group loss to Sweden, the Canadians only loss in the tournament since the 2004 final.

In the third-place game, Russia beat the United States 4-2.

Nikita Filatov had two goals and Alexei Cherepanov and Evgeni Kurbatov also scored for Russia. Rkhet Rakshani and Jordan Schroeder scored for the United States.

TENNIS:
Davenport wins ASB Classic, her third title

AUCKLAND, New Zealand — Lindsay Davenport won her third title in four events since returning to play following the birth of her first child, beating France's Aravane Rezaï 6-2, 6-2 in the ASB Classic on Saturday.

The former top-ranked Davenport improved to 18-1 in singles since her return to the tour. She gave birth in June to son Jagger.

Jagger Jonathan Leach was court-side Saturday for his mother's victory, attended by his nanny, but seemed nonplussed by the occasion and cried volubly when first introduced to the crowd. He was quickly calmed by Davenport and took an eager interest in proceedings, including the presentation of the \$22,000 winner's check.

The win followed Davenport's tournament victories in Bali — achieved after a 51-week absence from the tour — and Quebec City and her semifinals appearances in Beijing. With her 5th singles title, she broke with Monica Seles for eighth on the career list.

Murray tops Wawrinka to claim Qatar Open

DOHA, Qatar — Andy Murray defeated Stanislas Wawrinka 6-4, 4-6, 6-2 Saturday to win the Qatar Open, his first tournament since splitting with coach Brad Gilbert.

Murray, seeded third, won his fourth ATP title and beat his unseeded Swiss opponent for the first time. It also was his first hard-court title.

"I had never won a tournament in the first week of the season," said Murray, who lost last year's final to Ivan Ljubicic. "It is great going

BRIEFS

into the Australian Open." Murray broke with Gilbert in November.

Li Na wins comeback tourney at Gold Coast

GOLD COAST, Australia — China's Li Na won the Australian women's hardcourt tennis championship following a six-month layoff because of a rib injury, beating Victoria Azarenka 4-6, 6-3, 6-4 on Saturday.

It was the 25-year-old Li's second WTA Tour title, adding to her 2004 victory in Guangzhou. She last played in Birmingham, England, in June.

Li beat top-seeded Nicole Pietrangeli and fourth-seeded Patty Schnyder in the semifinals.

Liocra, Nieminen reach Adelaide final

ADELAIDE, Australia — Third-seeded Jarkko Nieminen beat France's Jo-Wilfried Tsonga 6-2, 6-4 Saturday to advance to the Australian men's hardcourt championship final against Michael Llodra.

Llodra ended the lengthy run of 22-year-old Australian wild card Joe Sirianni with a 6-3, 7-6 (8) win in the other semifinal at Memorial Drive, which is hosting the tournament for the final time before it heads north to Brisbane next year.

Fabrice Santoro, Jonas Bjorkman and Carlos Moya are among ATP players still playing in their mid-30s, giving the Australian journeyman some hope.

Venus Williams wins Hong Kong exhibition

HONG KONG — Venus Williams beat Russia's Maria Sharapova in straight sets 6-4, 6-3 Saturday to win the JFS Group Classic exhibition in Hong Kong — a warmup for the Australian Open.

Both players were holding serve comfortably in the early games, but the Russian faltered first. Serving at 4-5 in the first set, Sharapova sent a backhand into the net after a long rally and then missed another backhand to give the American a one-set lead.

Sharapova, who has won Wimbledon and the U.S. Open, was erratic in the second set.

Williams, a six-time Grand Slam winner, complained Friday of an unspecified injury but appeared unaffected Saturday.

SKIHG:
Berthod leads Swiss in World Cup giant slalom

ADELBODEN, Switzerland — Marc Berthod led a 1-2 finish for Switzerland in a World Cup giant slalom Saturday. Ted Ligety of the United States fell near the start and Bode Miller missed a gate during a treacherous first leg that 23 skiers did not complete.

Berthod finished in 2 minutes, 27.56 seconds, more than a half second ahead of Daniel Albrecht. Berthod also won the slalom in Adelboden last year. Hannes Reichel of Austria was third, 0.58 behind Berthod, on the demanding Kuenisbaergli course.

Difficult conditions during the first run caused skiers to lose their footing. Ligety managed to walk off nearly unscathed despite a taking back flip early in the first leg and sliding into the restraining fence.

Team officials said Ligery needed treatment on his hip, but he was not seriously injured and would ski in Sunday's slalom.

Miller, who won his first World Cup event of the season last month in the downhill, tried to continue after missing a gate in the first run. He gave up when he went out a second time moments later.

The only American to finish was Jimmy Cochran, who was 17th.

Karbon wins 4th straight World Cup giant slalom

SPINDLEUR, MOLYN, Czech Republic — Italy's Denise Karbon won her fourth consecutive giant slalom Saturday after beginning the season with just one World Cup victory.

She mastered a difficult course and was followed by Tania Poutiainen of Finland and Elisabeth Goerg of Austria. The top Americans were Julia Mancuso in eighth place and Lindsey Vonn, 11th.

"I was really happy to see my name next to the No. 1 in the finish," Karbon said. "It's a fantastic feeling."

Karbon was fastest in the first leg and fourth in the second for a combined time of 2 minutes, 16.58 seconds. Poutiainen was 0.39 seconds back, with Goerg timed in 2:17.57 on the Cerna course.

Nicole Hosp, the defending discipline and overall World Cup champion, placed fifth and kept her lead in the overall standings with 539 points. Next are Vonn at 504 and Mancuso at 476.

SKI JUMPING:
Corradini pushing for women's jumping in '10 WHISTLER, British Columbia

— The president of Women's Ski Jumping USA called for the federal and provincial governments and Vancouver organizers to push the International Olympic Committee to add women's ski jumping to the 2010 Winter Games.

Desire Corradini, the mayor of Salt Lake City when the city secured the 2002 Winter Games, noted \$380 million of Canadian taxpayer money has helped the Vancouver Olympic Games Organizing Committee build Olympic facilities.

"My understanding is it's against federal and provincial law in Canada to spend government money on facilities that discriminate," Corradini said Saturday during a news conference at the Canadian

ski jumping championships.

"To have a men's only sign on these ski jumps seems to be discriminatory and contrary to Canada's own human rights act."

The IOC voted against allowing women's ski jumping in Vancouver, arguing the sport isn't developed enough and that it doesn't meet the basic criteria for inclusion.

Corradini said statistics show there are more women ski jumpers in the world than female athletes in other Winter Olympic sports. The first women's world championships will be held next year and there will be four world junior championships before 2010.

BASEBALL:
Rangers, Broussard agree to 1-year deal

ARLINGTON, Texas — Ben Broussard and the Texas Rangers agreed to a \$3.65 million, one-year contract on Saturday, avoiding arbitration.

The first baseman was acquired in a trade with Seattle last month. The Rangers sent infielder Tug Hulet to the Mariners for Broussard, who hit 275 with seven home runs and 29 RBIs last season.

The 31-year-old Broussard was a second-round draft pick out of McNeese State by the Cincinnati Reds in 1999. He has three career pinch-hit grand slams, tied for the most in major league history.

The signing of Broussard leaves the Rangers with two players eligible for arbitration: outfielder Marlon Byrd and catcher Gerald Laird.

The Rangers also signed right-hander Jason Davis to a minor league contract Sat-

urday with an invitation to spring training.

COLLEGE SPORTS:
Settlement being negotiated in suit

INDIANAPOLIS — A proposed settlement in a federal antitrust suit could raise NCAA limits on financial aid and allow schools to pay athletes for other expenses such as travel, health insurance and laundry.

A trial scheduled in Los Angeles this month has been delayed while the settlement is being completed, plaintiffs attorney Stephen Morrissey said Friday. He would not divulge details of the proposed agreement.

"When the settlement is completed, it will become pub-

lic record," Morrissey said. Morrissey said court approval of a settlement was not imminent, adding the process typically takes a few months.

The class-action suit was filed in February 2006 on behalf of former football players Jason White of Stanford and Brian Polak of UCLA and former University of San Francisco basketball player Jovan Harris.

It contended the NCAA limits on scholarships, which cover only tuition, books, housing and meals, are an unlawful restraint of trade because of the billions of dollars generated from TV, radio, licensing and other agreements through major college basketball and football.

— Standard-Examiner staff and wire services

UTAH'S OLDEST FULL LINE TEMPUR-PEDIC DEALER

Recommended by Physicians

HELPS THOSE WITH:

- Bursitis
- Arthritis
- Headaches
- Fibromyalgia
- Poor Circulation

NO DOWN
Up to 5 years
Financing Available
O.A.C.

TEMPUR-PEDIC
PRESSURE RELIEVING SWEDISH MATTRES AND PILLOW

880 W. Riverdale Rd. • Ogden • 521-5331
4290 S. State • Murray • 261-1000

Feel Great in 08!

Your Resolution Solution

Free Workout January 7th-14th

GET YOUR FIRST 30 DAYS FREE!

Now is the perfect time to get started on your fitness program. Enroll for Only \$29 (per adult) during January! Plus, join during our Open House and get your First 30 Days Free when you "Commit to Get Fit".

GET THE RESULTS YOU WANT, FROM EXPERTS WHO CARE!

You won't believe how much fun you can have getting fit and healthy, because you've never seen it like this before. Our program is personalized and non-competitive. You progress at your own pace - not someone else's - no matter what kind of shape you are in when you begin.

First 50 to Join During our Open House and Mention this Ad Get a Free Hoody Sweatshirt & Everyone will get FREE 30 DAYS

Ogden Athletic Club
393-CLUB
1221 E. 5900 S. • SO, OGDEN
ogdenathletic.com

Rocky Mountain Power invites you to attend Open House Meetings to discuss a new substation and transmission line

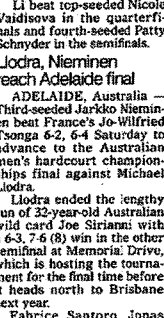
As part of a \$4.1 billion-plus investment in new transmission facilities announced in 2007, Rocky Mountain Power plans to construct a new double-circuit, 345 kilowatt (kV) transmission line from the Populus substation, to be built near Downey, Idaho, to the existing Ben Lomond substation in Box Elder County, Utah.

Rocky Mountain Power is holding four public open house meetings to share information regarding the project in your area. Everyone is welcome to attend. Meetings are scheduled for:

Malad, Idaho Tuesday, January 8, 2008 5 p.m. - 7 p.m. Malad Elementary School 250 West 400 North Malad	Brigham City, Utah Wednesday, January 9, 2008 5 p.m. - 7 p.m. Box Elder High School 380 South 600 West Brigham City
Downey, Idaho Thursday, January 10, 2008 5 p.m. - 7 p.m. Downey Elementary School 88 South 4 East Downey	Garland, Utah Wednesday, January 16, 2008 5 p.m. - 7 p.m. Bear River Middle School 300 East 1500 South Garland

ROCKY MOUNTAIN POWER

WINDOW SPECIAL



10 WINDOWS INSTALLED \$3295

LIMITED TIME OFFER

- Lifetime Guarantee
- Energy Efficient
- Quality Installation

Wasatch Vinyl Products

100% Quality, 1200 Hours

Call Now! 733-5633

1-877-922-7283

*Some restrictions apply. COUPON

UTAH'S OLDEST FULL LINE TEMPUR-PEDIC DEALER

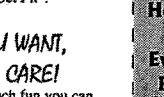
Recommended by Physicians

HELPS THOSE WITH:

- Bursitis
- Arthritis
- Headaches
- Fibromyalgia
- Poor Circulation

NO DOWN

Up to 5 years Financing Available O.A.C.



TEMPUR-PEDIC

PRESSURE RELIEVING SWEDISH MATTRES AND PILLOW

880 W. Riverdale Rd. • Ogden • 521-5331
4290 S. State • Murray • 261-1000

Feel Great in 08!

Your Resolution Solution

Free Workout January 7th-14th

GET YOUR FIRST 30 DAYS FREE!

Now is the perfect time to get started on your fitness program. Enroll for Only \$29 (per adult) during January! Plus, join during our Open House and get your First 30 Days Free when you "Commit to Get Fit".

GET THE RESULTS YOU WANT, FROM EXPERTS WHO CARE!

You won't believe how much fun you can have getting fit and healthy, because you've never seen it like this before. Our program is personalized and non-competitive. You progress at your own pace - not someone else's - no matter what kind of shape you are in when you begin.

First 50 to Join During our Open House and Mention this Ad Get a Free Hoody Sweatshirt & Everyone will get FREE 30 DAYS

Ogden Athletic Club

393-CLUB

1221 E. 5900 S. • SO, OGDEN
ogdenathletic.com