

REGISTRATION NUMBER

DVH 0337

DATE OF REGISTRATION/PUBLICATION

3                      21                      07  
Month                      Day                      Year

**DO NOT WRITE ABOVE THIS LINE. IF YOU NEED MORE SPACE, USE A SEPARATE CONTINUATION SHEET. (Form D-VH/CON)**

Please give the make and model of the vessel that embodies the design.

Scout 221 Winyah Bay

**1 TITLE**

What is the type or style of the design for which registration is sought?

Bay Boat

**2 DESIGN (b)**

Provide a brief general statement setting forth the salient features of the design.

Hull form, deck configuration, leaning post with hidden pivot mechanism, hidden swim ladder, raw water manifold system, and overall appearance.

Check here if this is a single design.

Check here if registering more than one design.

Use Form D-VH/CON for additional designs.

If this design is derived from an earlier design, describe how that design has been revised, adapted, or rearranged.

**3 DESIGNER(S)**

Provide the name and address of the designer(s). The name of the employer may be given instead of the designer(s) if, (1) the design was made within the regular scope of employment of the designer(s) and (2) the individual authorship of the design is difficult or impossible to ascribe.

Please check here if those conditions are satisfied and you are providing the employer's name.

Name: Scout Boats, Inc.

Name: \_\_\_\_\_

Address: 2582 Hwy 78 West

Address: \_\_\_\_\_

Summerville, SC 29483

**4 OWNER, IF NOT DESIGNER(S)**

If the owner is different from the designer(s) or employer named above, provide the name and address of the owner:

Name: \_\_\_\_\_

Address: \_\_\_\_\_

**5 PRIORITY CLAIM**

Was an application for registration of this design identified in an application filed in a foreign country that extends to designs of owners who are citizens of the United States, or to persons filing applications in the United States, similar protection to that afforded in 17 U.S.C. chapter 13?

Yes  No

(b) If yes, identify the country and date of application:

Country: \_\_\_\_\_

Date of application: \_\_\_\_\_

Serial No: \_\_\_\_\_

**6 DATE MADE PUBLIC**

Was this design made public before the date of application?  Yes  No

If yes, on what date?    09                      15                      2006  
Month                      Day                      Year

DO NOT WRITE HERE OFFICE USE ONLY

APPLICATION RECEIVED  
NOV 20 2006  
DESIGN COPIES RECEIVED  
NOV 20 2006  
FUNDS RECEIVED

**MORE ON BACK**

• Complete all applicable spaces (numbers 7 - 9) on the reverse side of this page.  
• See detailed instructions.                      • Sign the form at section 9.

**DO NOT WRITE HERE**  
Page 1 of \_\_\_\_\_ pages

EXAMINED BY 777  
CHECKED BY

FORM D-VH

CORRESPONDENCE  
 Yes

FOR  
COPYRIGHT  
OFFICE  
USE  
ONLY

DO NOT WRITE ABOVE THIS LINE. IF YOU NEED MORE SPACE, USE A SEPARATE CONTINUATION SHEET. (Form D-VH/CON)

Please provide the name and address of the person to whom correspondence regarding this application may be directed:

Name: Nate Justiss

CONTACT  
PERSON

Address: 2581 Hwy 78 West  
Summerville, SC 29483

Email address nate@scoutboats.com

FAX number 843.725.0081 Daytime phone: ( 843 ) 821-0068

Give the name and account number if the registration fee is to be charged to a Deposit Account established in the Copyright Office:

Name of Account: \_\_\_\_\_

Account number: \_\_\_\_\_

DEPOSIT  
ACCOUNT

**DECLARATION:** The undersigned, as the applicant or the applicant's duly appointed agent or representative, being hereby warned that willful false statements are punishable by fine or imprisonment, or both, under 18 U.S.C. §1001, and that such willful false statements may jeopardize the validity of this application or any resulting registration, hereby declares to the best of his or her knowledge and belief:

- (1) that the design has been fixed in a useful article;
- (2) that the design is original and was created by the designer(s), or employer if applicable, named in the application;
- (3) that those aspects of the design for which registration is sought are not protected by a design patent;
- (4) that the design has not previously been registered on behalf of the applicant or applicant's predecessor in title; and
- (5) that the applicant is the person entitled to protection and to registration under chapter 13 of title 17, United States Code.

CERTIFICATION AND  
SWORN STATEMENTS

Complete if applicable:

The design has been made public with a design notice as prescribed by 17 U.S.C. §1306.  
Following is the exact form of the design notice:

Protected Design Scout Boats 2006

Where on the useful article is the design notice located?

Transom

If the undersigned is not the applicant, he or she is properly authorized to execute this application on behalf of the applicant.



Signature Nate Justiss

Print or type name  
843 821-0068

Telephone number FAX number

January 30th, 2006  
Date

Industrial Designer  
Position or Title

nate@scoutboats.com  
Email address

Copyright Office fees are subject to change. For current fees, check the Copyright Office website at [www.copyright.gov](http://www.copyright.gov). write the Copyright Office, or call (202) 707-3000.

Certificate  
will be  
mailed in  
window  
envelope  
to this  
address:

Name ▼	<u>STEVE POTTS</u>
Number/Street/Apt ▼	<u>2581 HWY 78 WEST</u>
City/State/ZIP ▼	<u>Summerville, SC 29483</u>

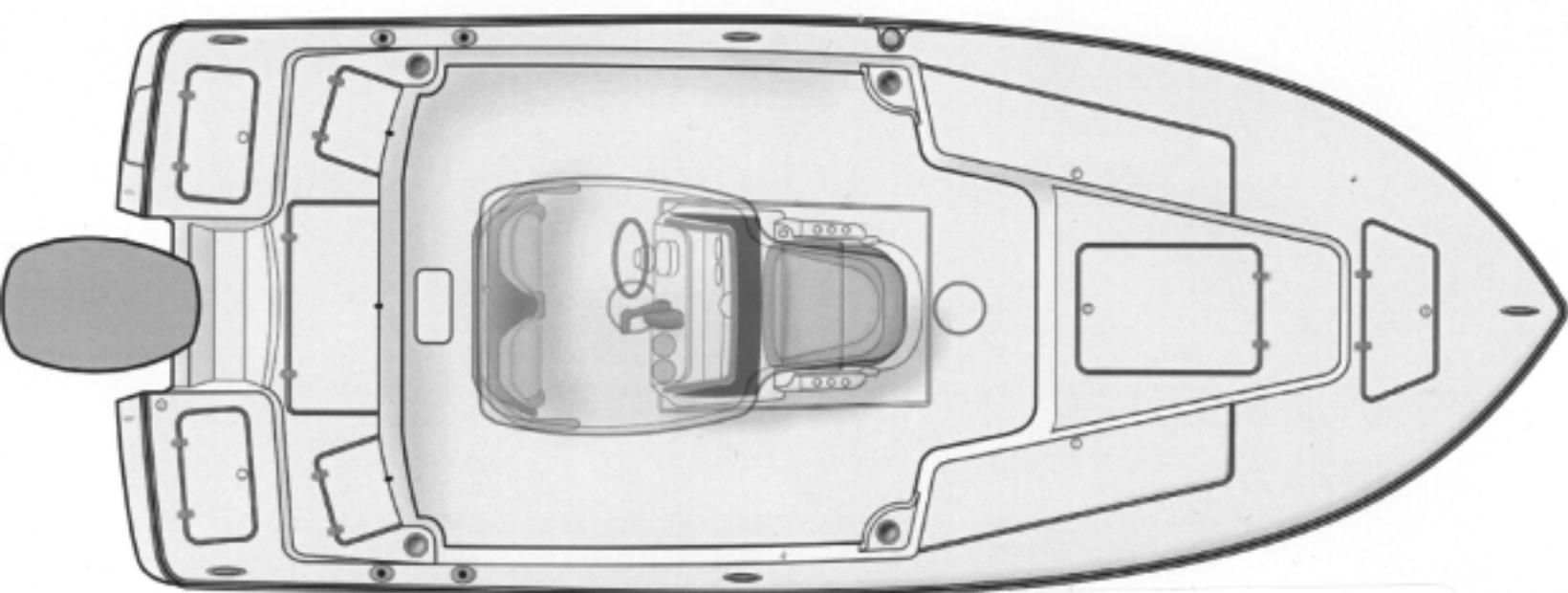
YOU MUST:  
• Complete all necessary spaces  
• Sign your application in space 9

SEND ALL 3 ELEMENTS  
IN THE SAME PACKAGE

1. Application form
2. Nonrefundable filing fee in check or money order payable to Register of Copyrights
3. Design material

MAIL TO  
Dept. D-VH  
Vessel Hull Registration  
P.O. Box 71380  
Washington, D.C. 20024-1380

17 U.S.C. §1327. Penalty for false representation. "Whoever knowingly makes a false representation materially affecting the rights obtainable under this chapter for the purpose of obtaining registration of a design under this chapter shall pay a penalty of not less than \$500 and not more than \$1,000, and any rights or privileges that individual may have in the design under this chapter shall be forfeited."

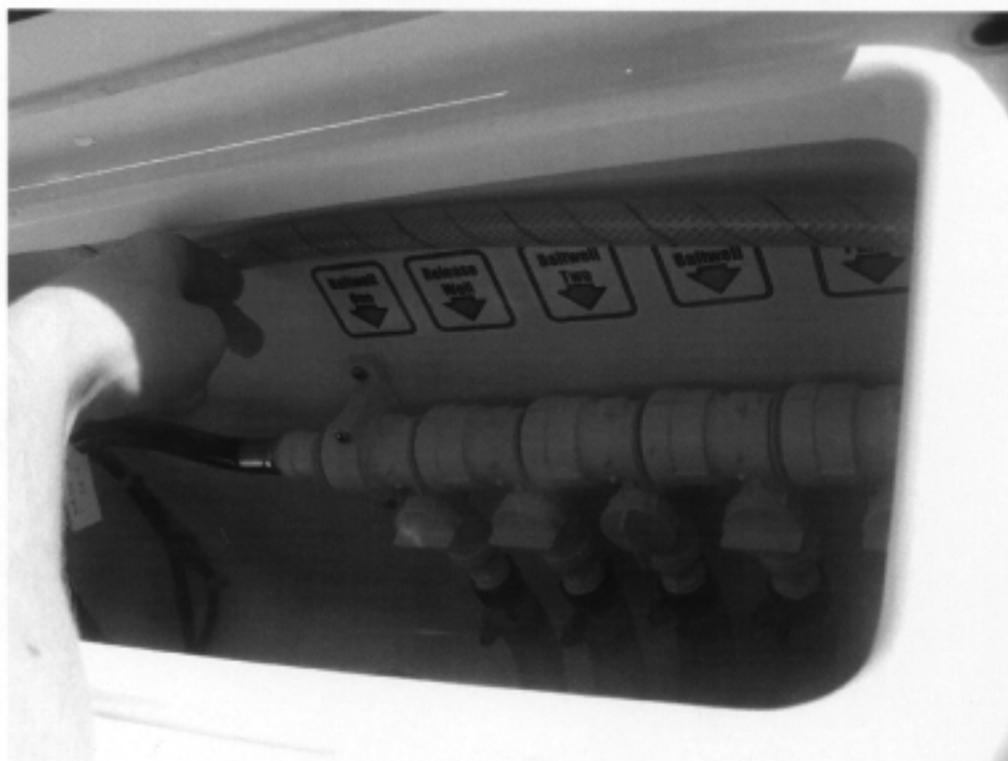


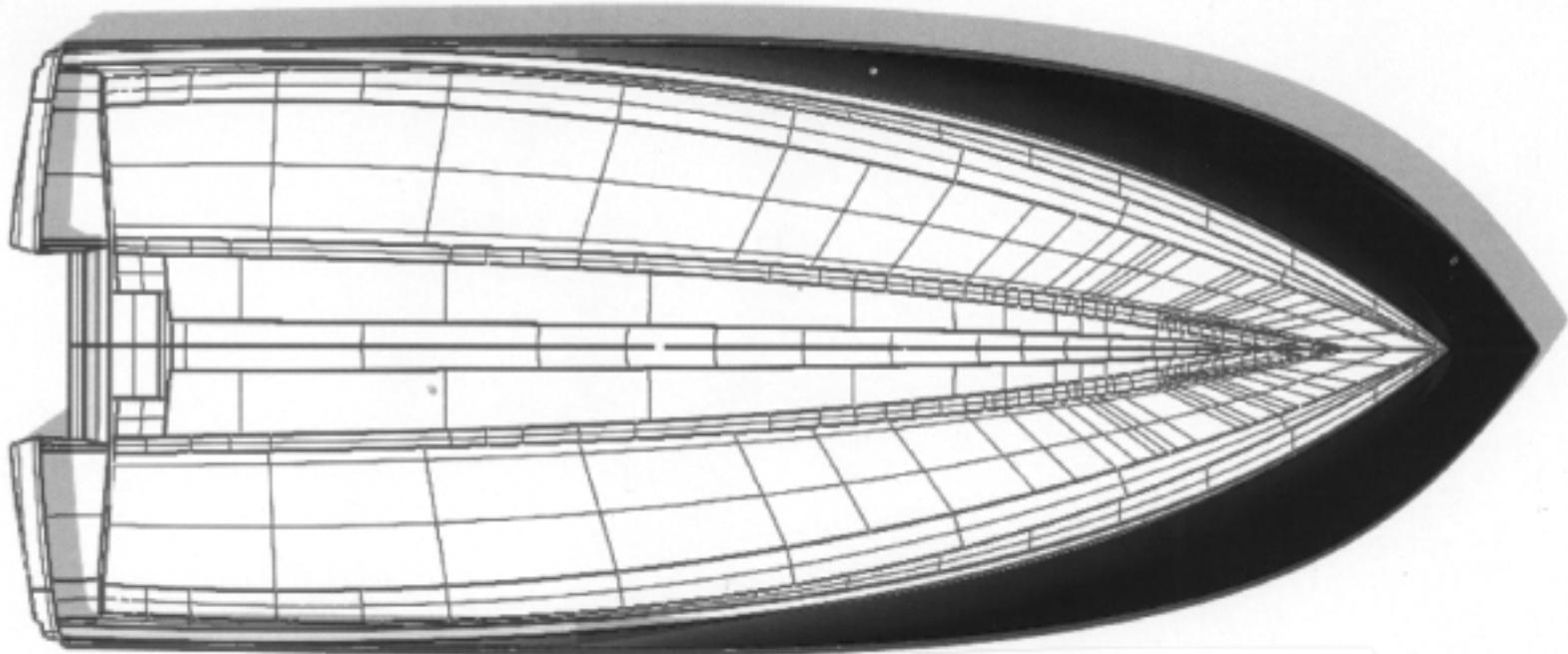
DMH 0337



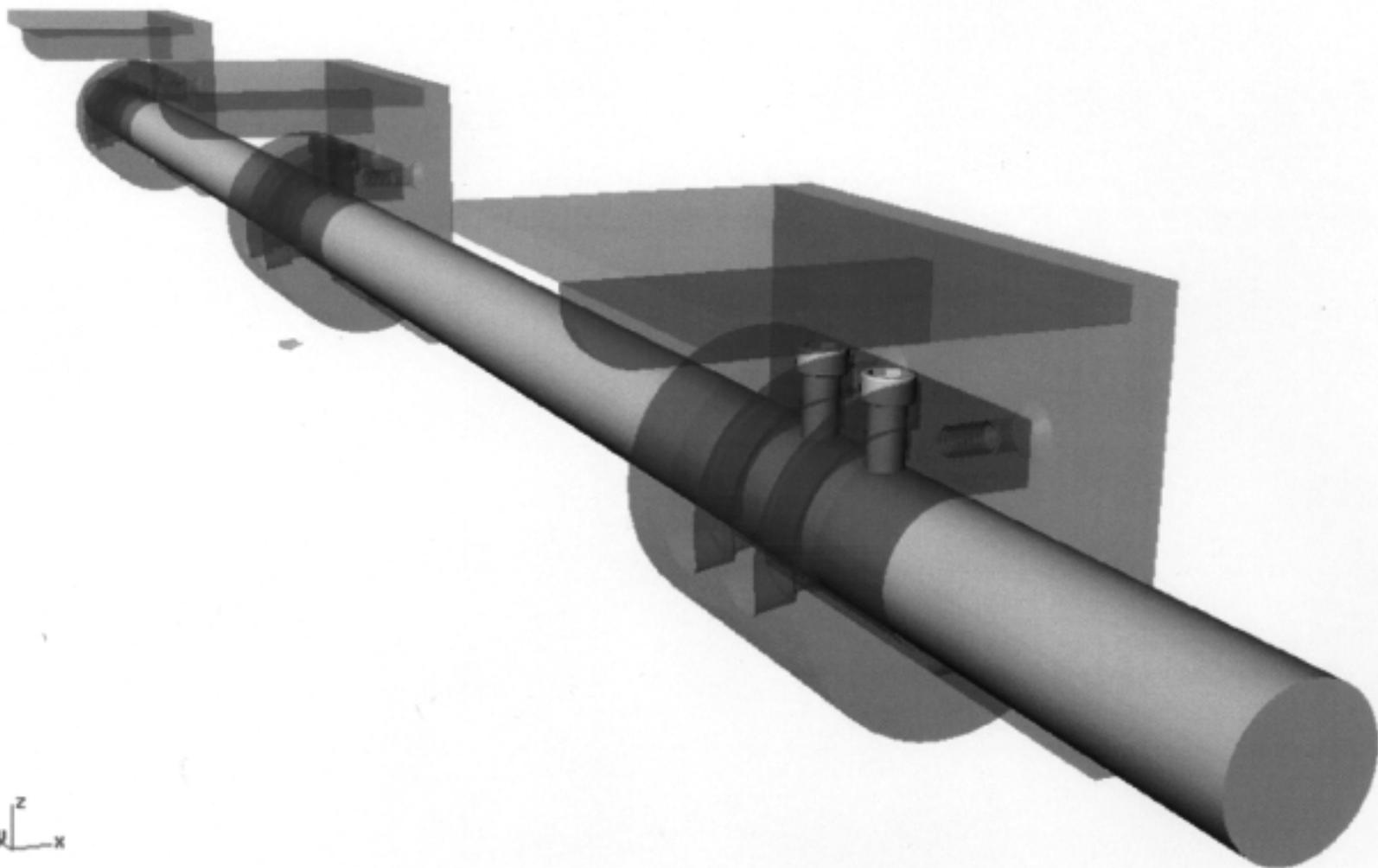
DWH 0337

LIBRARY OF CONGRESS  
NOV 20 2006 23  
COPY \_\_\_\_\_  
COPYRIGHT OFFICE

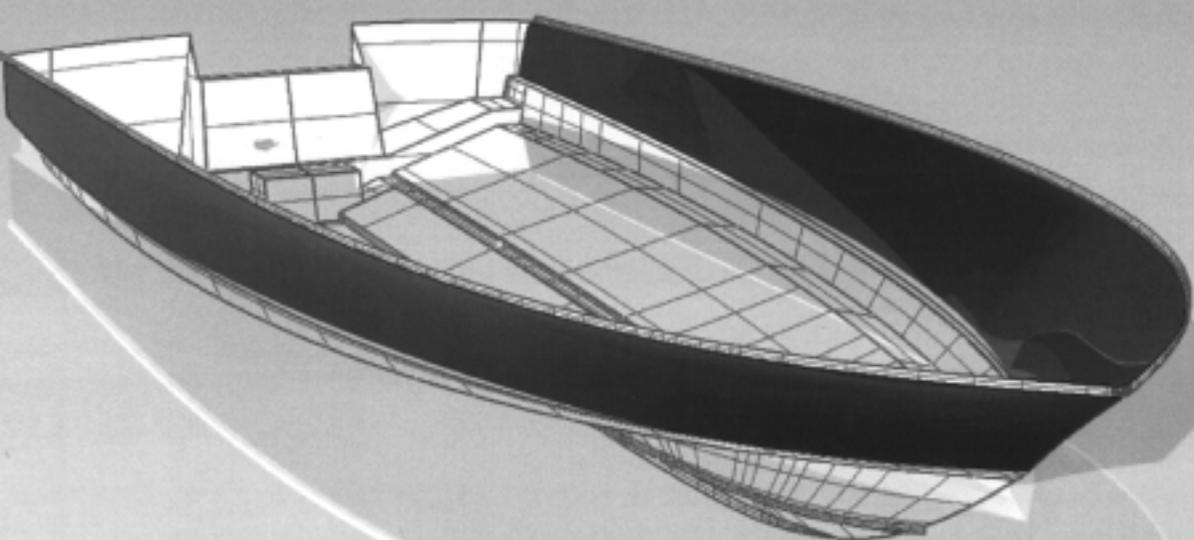
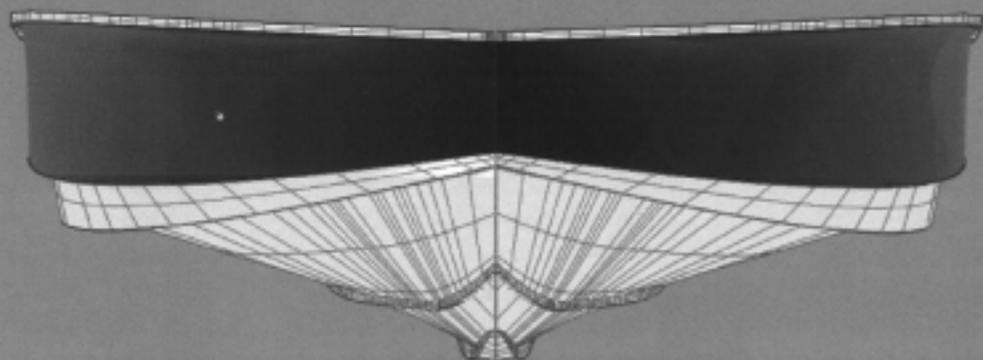




DMH 0337



DWH 0337



DMH 0337

LIBRARY OF CONGRESS  
NOV 20 2006 23  
COPYRIGHT OFFICE

