

REGISTRATION NUMBER

DVH 0196

DATE OF REGISTRATION/PUBLICATION

Month 03 Day 24 Year 04

DO NOT WRITE ABOVE THIS LINE. IF YOU NEED MORE SPACE, USE A SEPARATE CONTINUATION SHEET. (Form D-VH/CON)

1
TITLE

Please give the make and model of the vessel that embodies the design.
IMEMSA W-26

2
DESIGN

(a) What is the type or style of the design for which registration is sought?
fiberglass v-hull and deck with console

(b) Provide a brief general statement setting forth the salient features of the design.
overall appearance including hull with deck and console; hull and bow shape and design

Check here if this is a single design.
 Check here if registering more than one design. Use Form D-VH/CON for additional designs.

(c) If this design is derived from an earlier design, describe how that design has been revised, adapted, or rearranged.
lines and contours from earlier IMEMSA W-22 design reconfigured and revised to lengthen hull and deck

3
DESIGNER(S)

Provide the name and address of the designer(s). The name of the employer may be given instead of the designer(s) if, (1) the design was made within the regular scope of employment of the designer(s) and (2) the individual authorship of the design is difficult or impossible to ascribe.

Please check here if those conditions are satisfied and you are providing the employer's name.

Name: Industria Mexicana de Marino Equipo, S.A. Name: de C.V.

Address: Xola No. 12
Colonia Del Valle
03100 Mexico, D.F., Mexico

4
OWNER, IF NOT DESIGNER(S)

If the owner is different from the designer(s) or employer named above, provide the name and address of the owner:

Name: N/A

Address: _____

5
PRIORITY CLAIM

(a) Was an application for registration of this design identified in an application filed in a foreign country that extends to designs of owners who are citizens of the United States, or to persons filing applications in the United States, similar protection to that afforded in 17 U.S.C. chapter 13?
 Yes No

(b) If yes, identify the country and date of application:
Country: _____

Date of application: _____

Serial No: _____

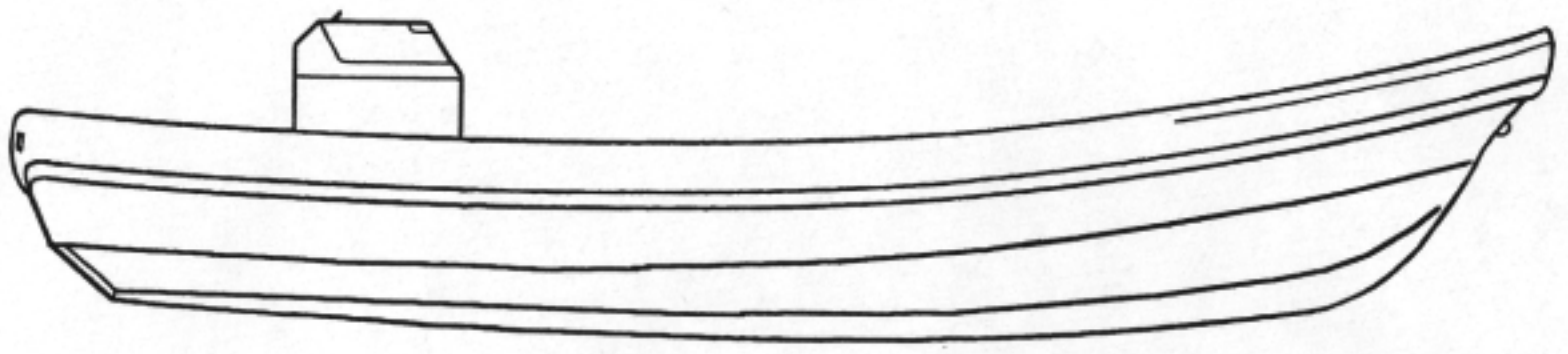
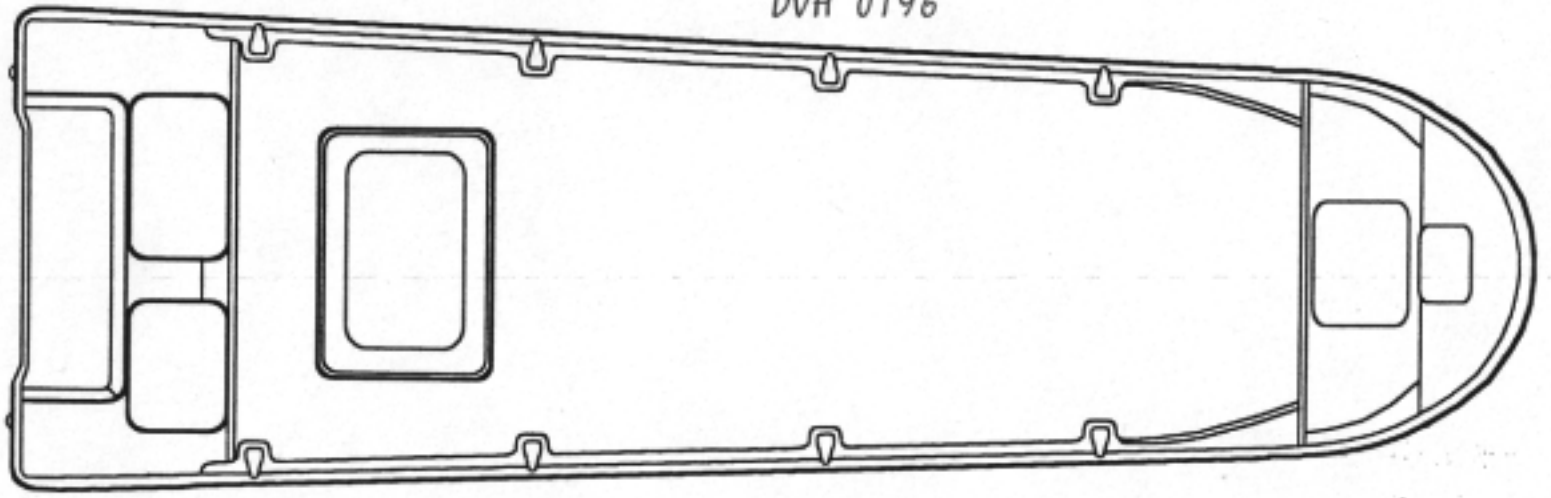
6
DATE MADE PUBLIC

Was this design made public before the date of application? Yes No

If yes, on what date? February 1 2003
Month Day Year

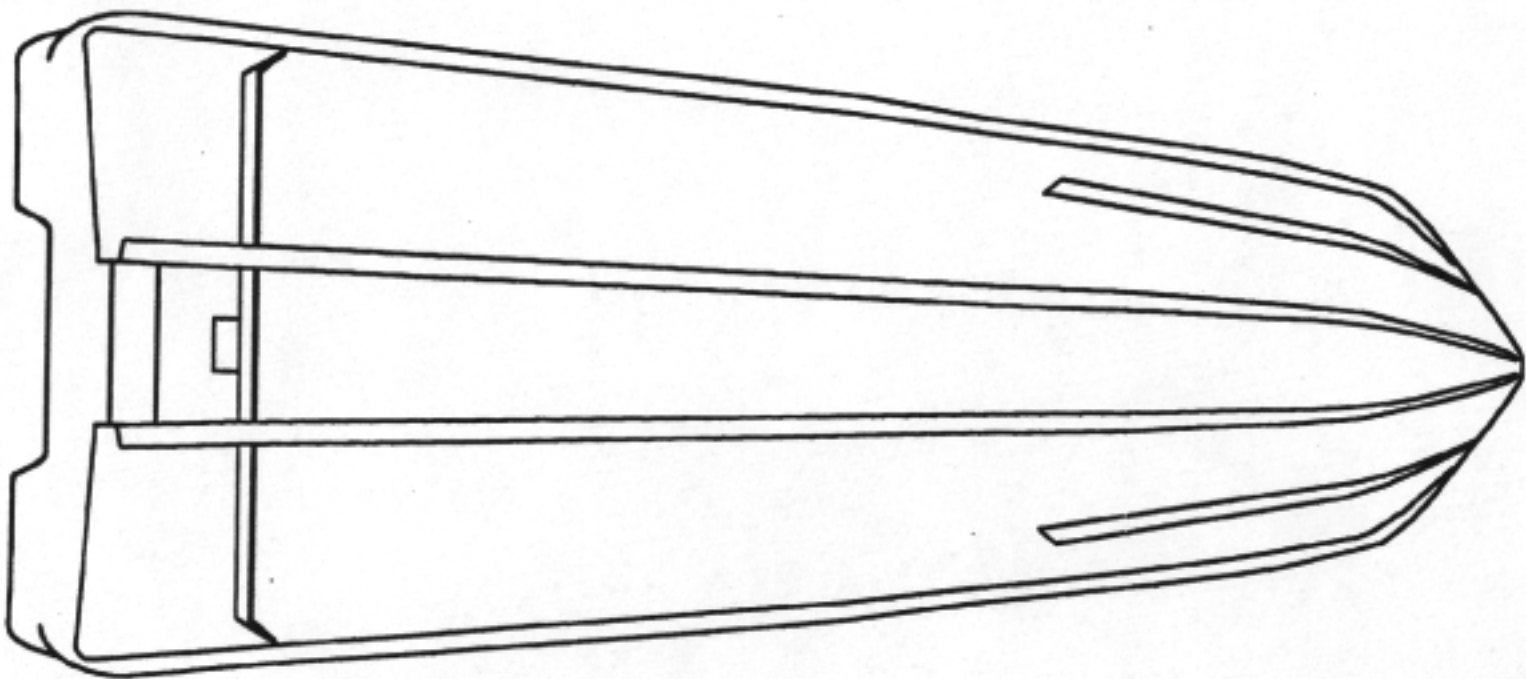
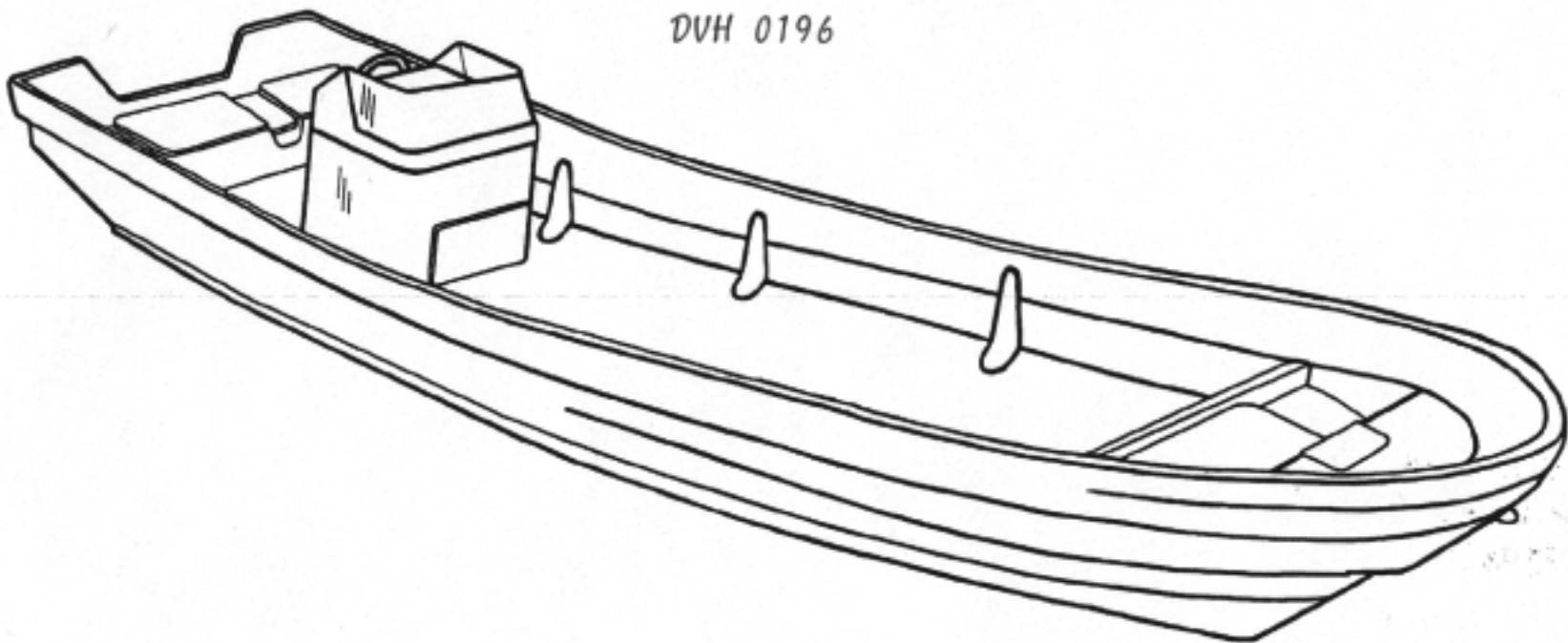
DO NOT WRITE HERE OFFICE USE ONLY
APPLICATION RECEIVED MAR 05 2004
DESIGN COPIES RECEIVED MAR 05 2004
FUNDS RECEIVED 305748
MAR 05 2004
8100.00

DVH 0196



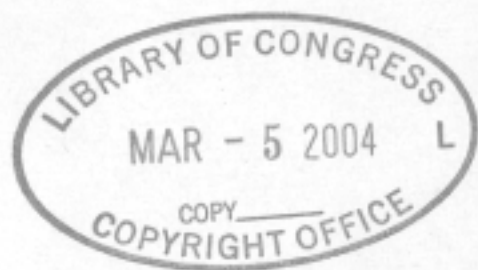
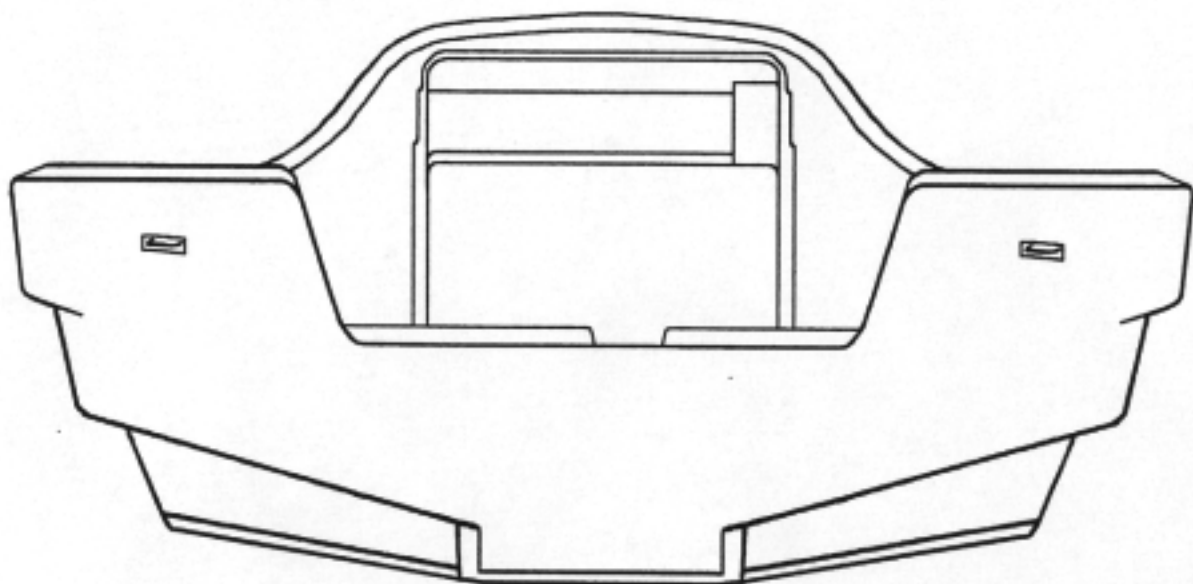
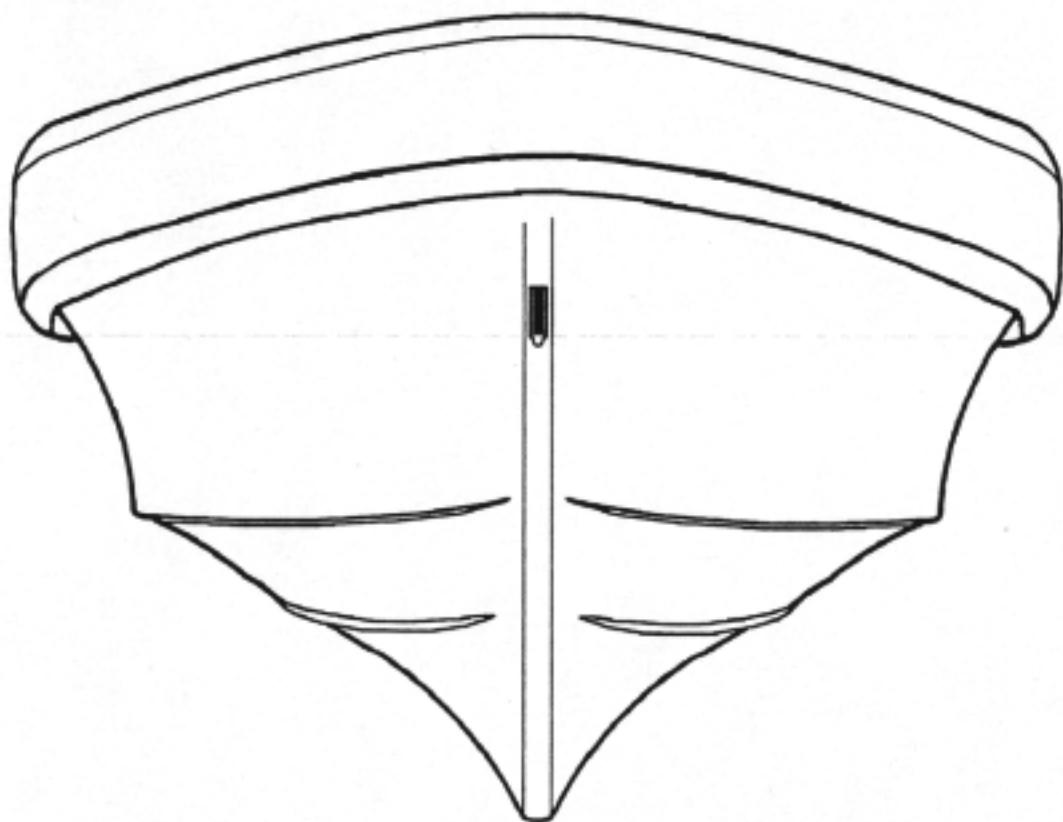
LIBRARY OF CONGRESS
MAR - 5 2004 L
COPY _____
COPYRIGHT OFFICE

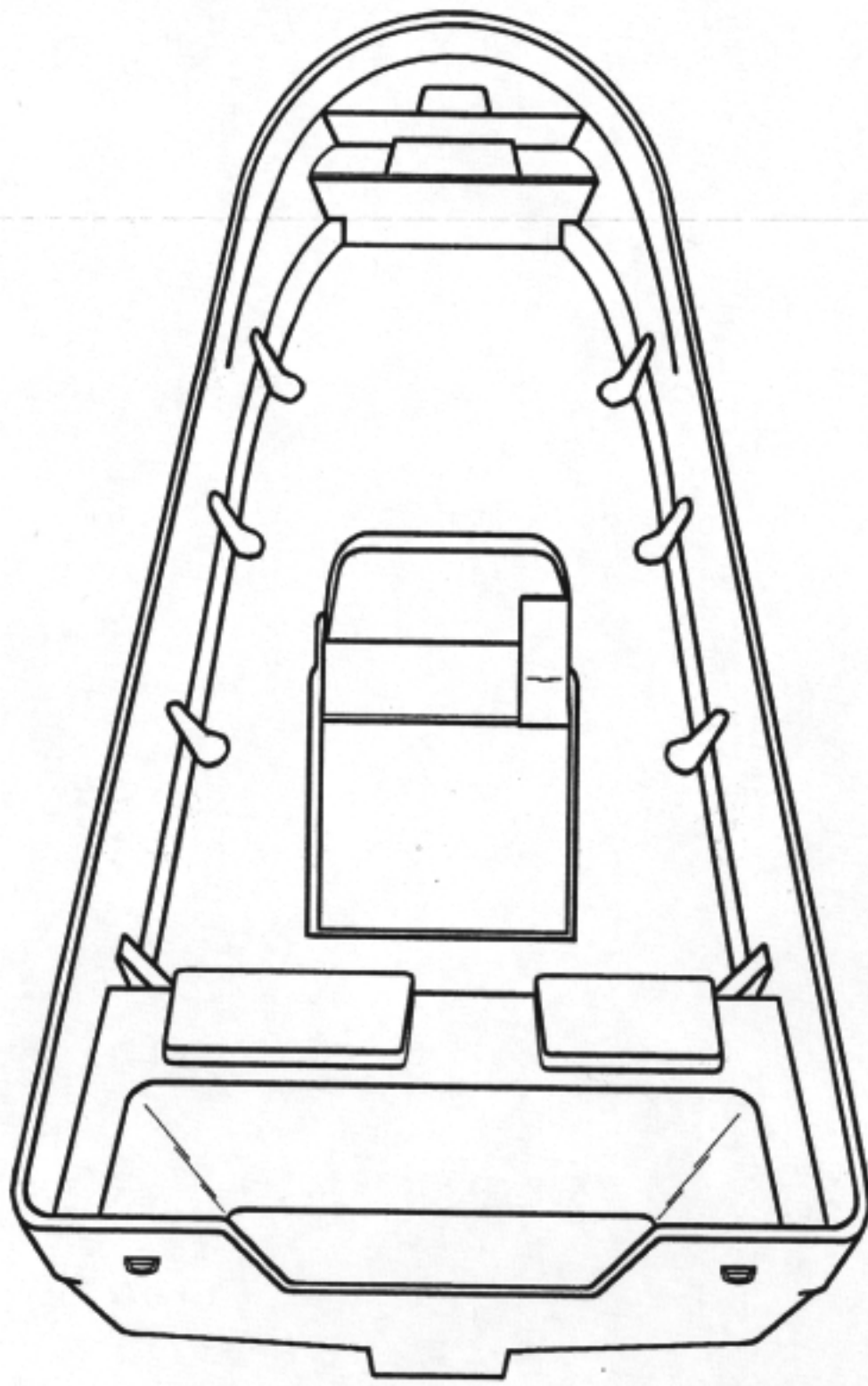
DVH 0196



LIBRARY OF CONGRESS
MAR - 5 2004
COPYRIGHT OFFICE

DVH 0196





LIBRARY OF CONGRESS
MAR - 5 2004 L
COPY _____
COPYRIGHT OFFICE