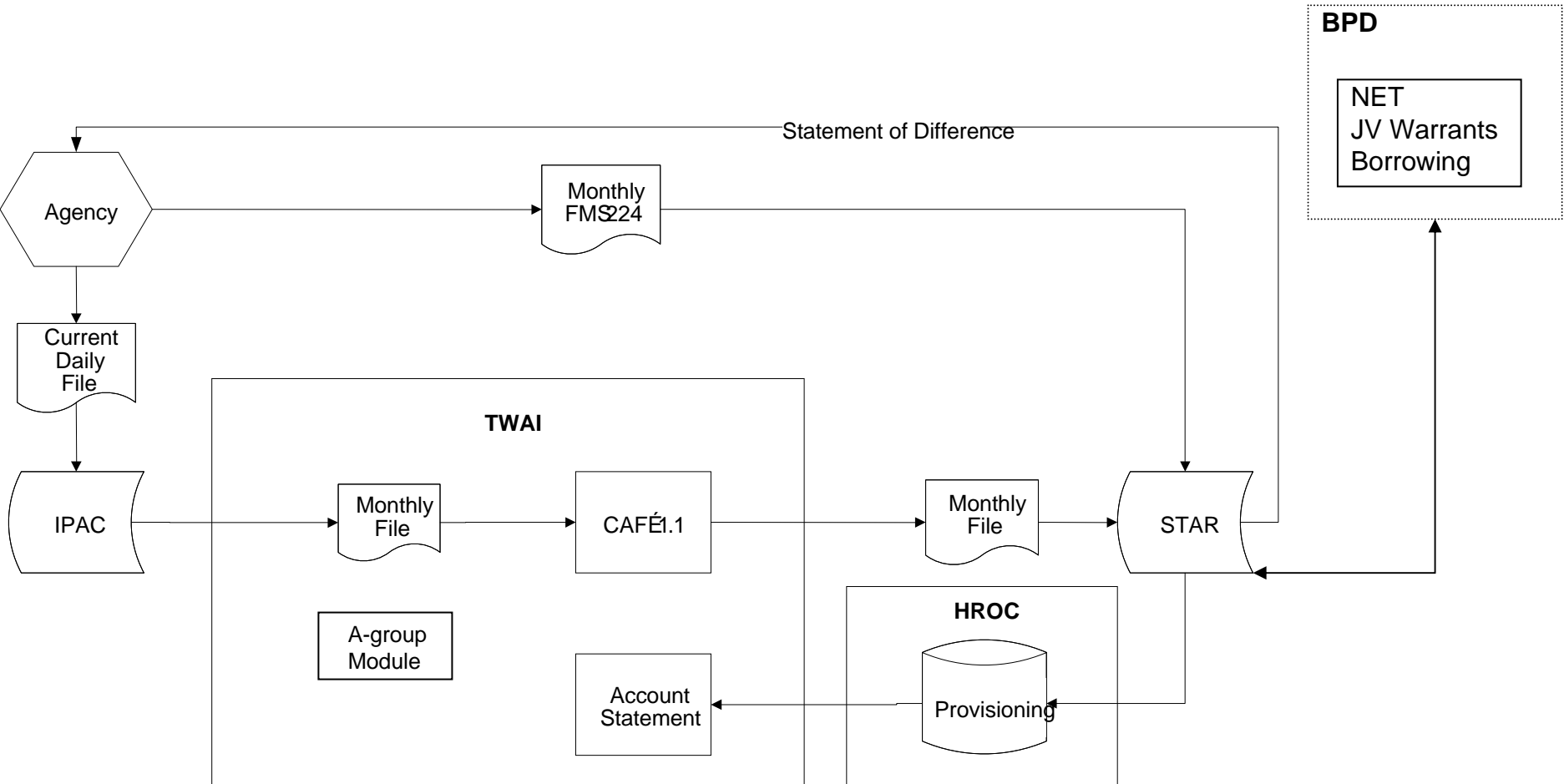
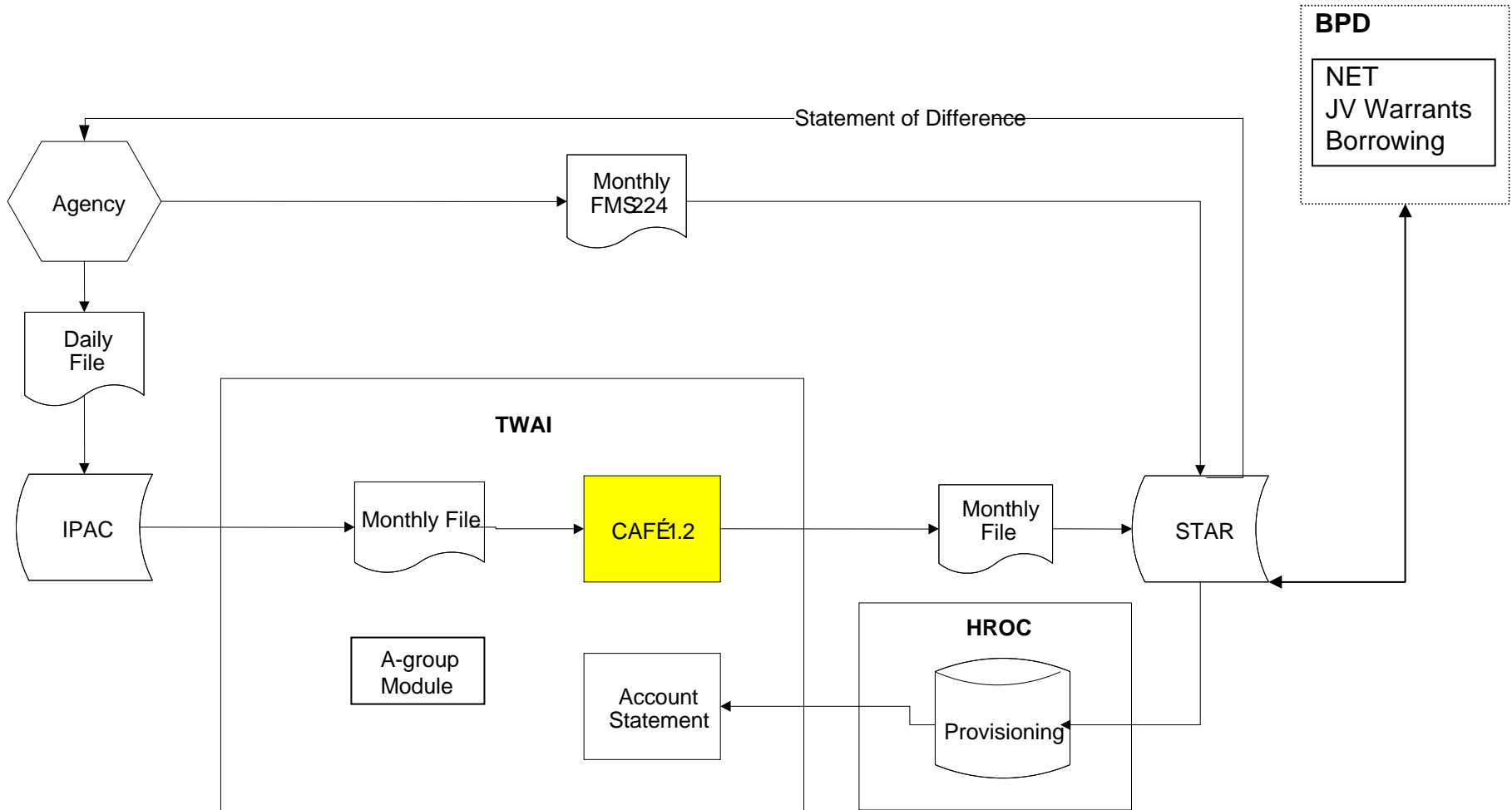


# Implementation Steps

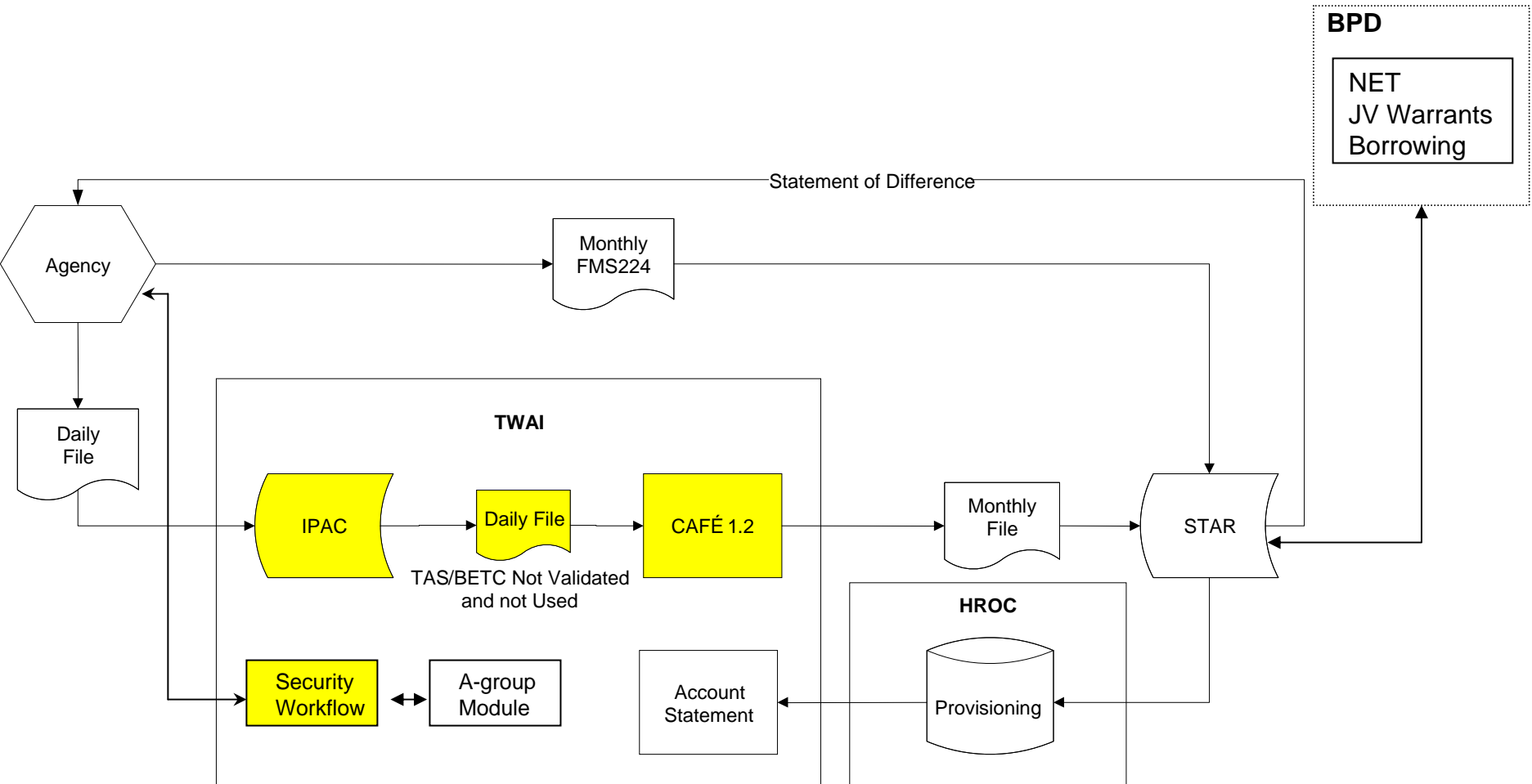
# Functional Baseline (Current)



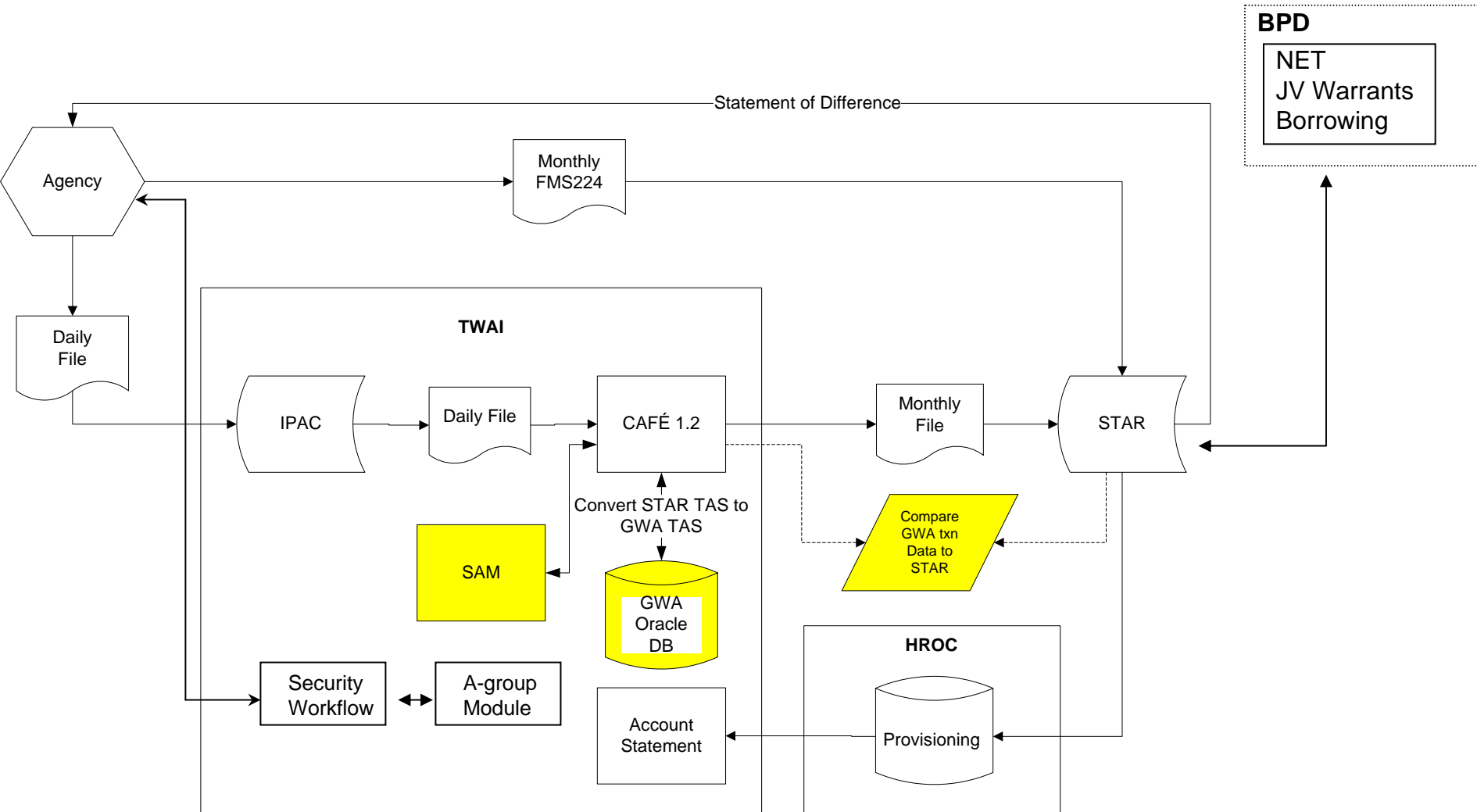
# CAFÉ 1.2 (3<sup>rd</sup> quarter 05)



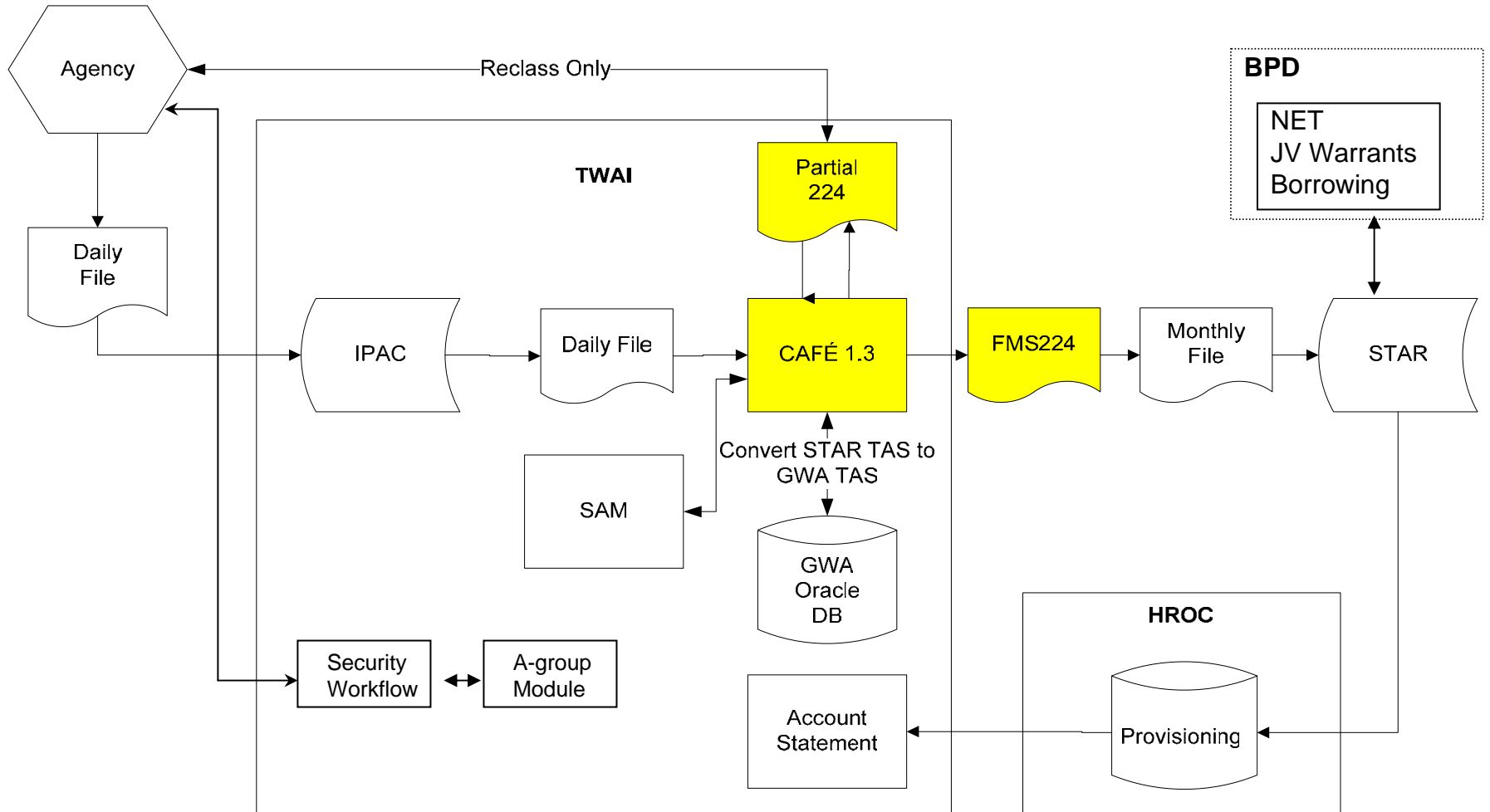
# IPAC Daily File (1<sup>st</sup> quarter 06)



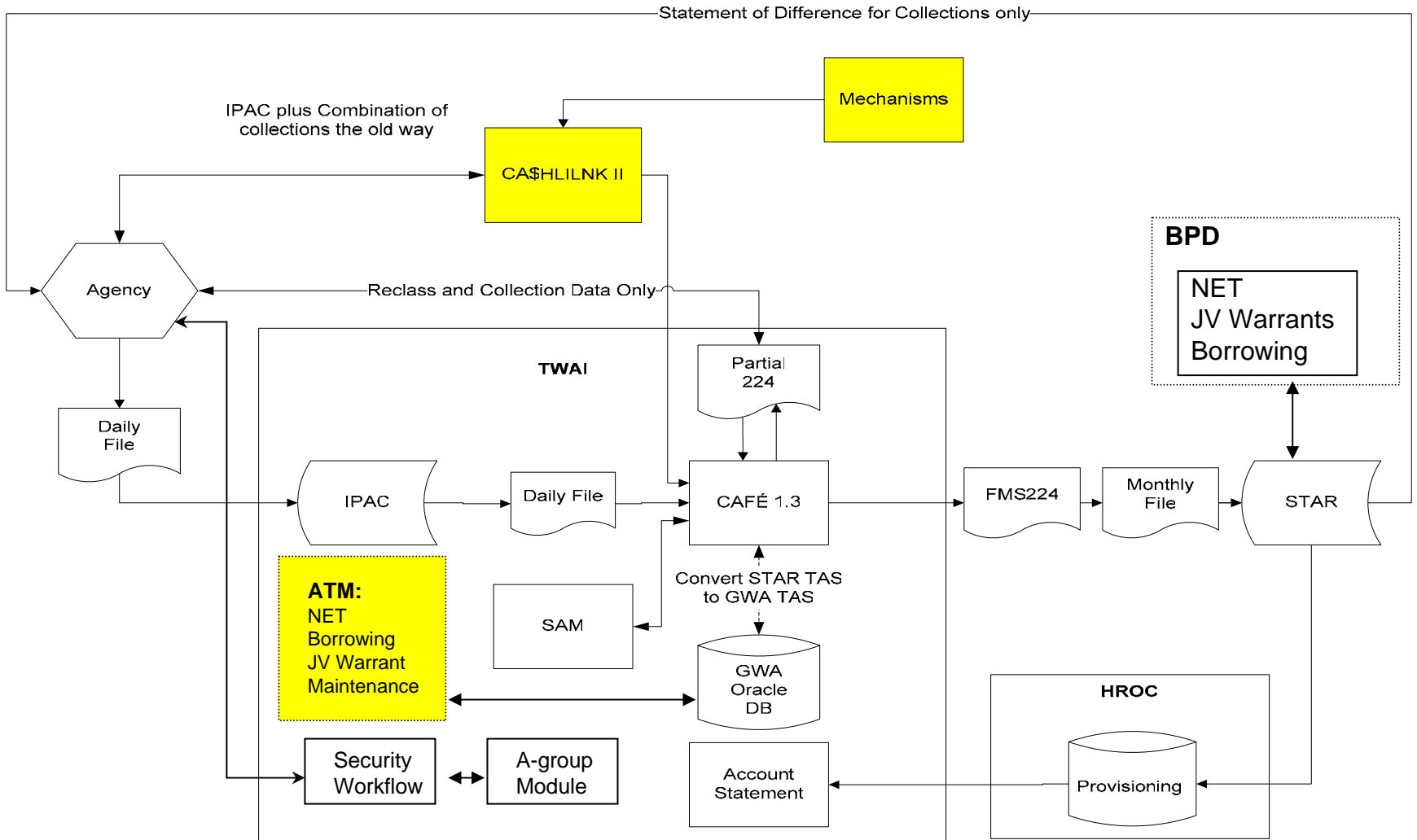
# Proof Of Concept (2<sup>nd</sup> quarter 06)



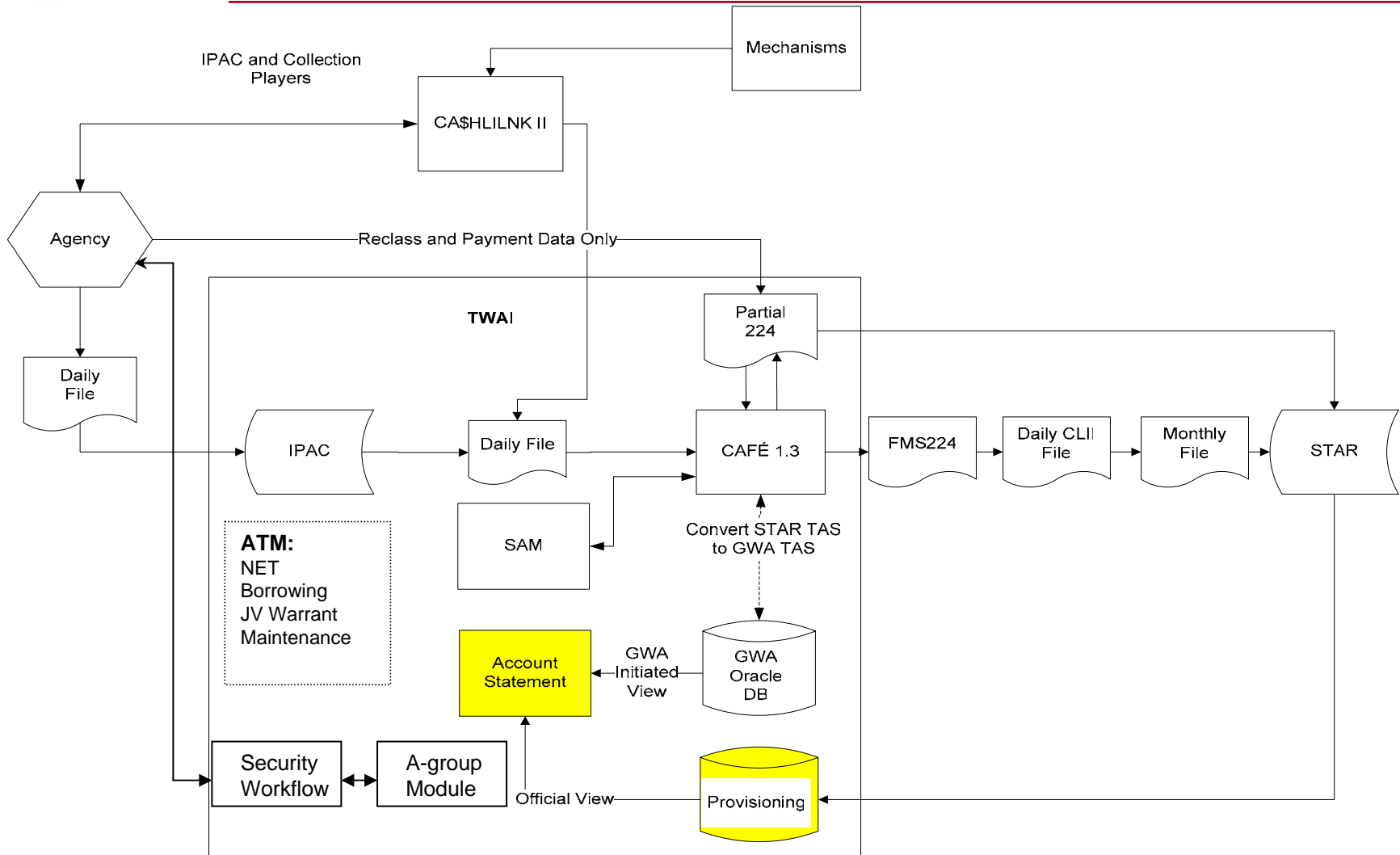
# Implement GWA User (3<sup>rd</sup> quarter 06)



# Implement ATM / Partial 224 rollout (3<sup>rd</sup> quarter 06)



# Multiple GWA Transaction Processing (1<sup>st</sup> quarter 07)





# Agency Implementation

STEP:

## Time line

1

2

3

4

5

6

4<sup>th</sup> quarter 05

1<sup>st</sup> quarter 06

2<sup>nd</sup> quarter 06

3<sup>rd</sup> quarter 06

1<sup>st</sup> quarter 07



Partial 224  
Vendor testing

**Move Partial  
224 to  
production**

Start accepting  
New file formats  
From IPAC

**Identify  
Collection  
Pilots**

**IPAC POC**

Conduct  
Interface  
testing with  
SAM

Partial 224  
Agency Pilot  
testing

Begin working  
with Collection  
Pilot agencies

Implement CAFÉ 1.3

Implement Partial 224  
with Pilot agencies

Begin moving  
IPAC Pilot Users to  
GWA Production

Implement a IPAC  
GWA Player also doing  
Collections old way

Implement ATM

Work to move  
Collection pilots  
to production

Implement GWA  
Initiated view

Begin TDO  
Payment  
ALC's pilots

0

500

1000+

ALC Implementation