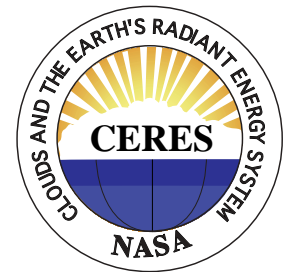


# **Clouds and the Earth's Radiant Energy System (CERES) Data Management System**

## **BiDirectional Scans (BDS) Collection Document**

Release 3  
Version 2  
June 2000



# **Clouds and the Earth's Radiant Energy System (CERES)**

## **Data Management System**

### **BiDirectional Scans (BDS) Collection Document**

#### **Release 3 Version 2**

##### **Primary Authors**

*Joey M. Escuadra, Phillip C. Hess,  
Jack Paden, Carol J. Tolson*

Science Applications International Corporation (SAIC)  
One Enterprise Parkway, Suite 300  
Hampton, VA 23666

*Erika B. Geier, Richard N. Green,  
James F. Kibler, Robert B. Lee III*

Climate Science Branch  
Science Directorate  
NASA Langley Research Center  
Hampton, VA 23681-2199

June 2000

## Preface

The Clouds and the Earth's Radiant Energy System (CERES) Data Management System supports the data processing needs of the CERES Science Team research to increase understanding of the Earth's climate and radiant environment. The CERES Data Management Team works with the CERES Science Team to develop the software necessary to implement the science algorithms. This software, being developed to operate at the Langley Distributed Active Archive Center (DAAC), produces an extensive set of science data products.

The Data Management System consists of 12 subsystems; each subsystem represents one or more stand-alone executable programs. Each subsystem executes when all of its required input data sets are available and produces one or more archival science products.

This Collection Guide is intended to give an overview of the science product along with definitions of each of the parameters included within the product. The document has been reviewed by the CERES Working Group teams responsible for producing the product and by the Working Group Teams who use the product.

## Document Revision Record

The Document Revision Record contains information pertaining to approved document changes. The table lists the date the Software Configuration Change Request (SCCR) was approved, the Release and Version Number, the SCCR number, a short description of the revision, and the revised sections. The document authors are listed on the cover. The Head of the CERES Data Management Team approves or disapproves the requested changes based on recommendations of the Configuration Control Board.

Document Revision Record

SCCR Approval Date	Release/Version Number	SCCR Number	Description of Revision	Section(s) Affected
01/99	R3V1	xxxx	<ul style="list-style-type: none"> <li>• TRMM Launch Version including HDF organization.</li> </ul>	All
04/00	R3V2	xxxx	<ul style="list-style-type: none"> <li>• Minor updates- parameter units, Terra information. Supports all instrument launches.</li> </ul>	All
04/00	R3V2	xxxx	<ul style="list-style-type: none"> <li>• The CERES Top Level Data Flow Diagram was modified (5/29/03).</li> </ul>	1.3

## TABLE OF CONTENTS

<u>Section</u>	<u>Page</u>
Preface .....	iii
Document Revision Record .....	iv
Summary .....	1
Table of Contents .....	2
1.0 Collection Overview .....	2
1.1 Collection Identification .....	2
1.2 Collection Introduction .....	3
1.3 Objective/Purpose .....	3
1.4 Summary of Parameters .....	5
1.4.1 Science .....	5
1.4.2 Instrument .....	7
1.4.3 Level-0 .....	10
1.4.4 Metadata .....	13
1.5 Discussion .....	13
1.6 Related Collections .....	13
2.0 Investigators .....	14
2.1 Title of Investigation .....	14
2.2 Contact Information .....	14
3.0 Origination .....	15
4.0 Data Description .....	16
4.1 Spatial Characteristics .....	16
4.1.1 Spatial Coverage .....	16
4.1.2 Spatial Resolution .....	16
4.2 Temporal Characteristics .....	16
4.2.1 Temporal Coverage .....	16
4.2.2 Temporal Resolution .....	17
4.3 Data Characteristics .....	17
4.3.1 Parameter/Variable .....	17
4.3.2 Variable Description/Definition .....	17
4.3.2.1 Science Parameter Descriptions .....	17
4.3.2.2 Instrument Parameter Descriptions .....	33
4.3.2.3 Level-0 Parameter Descriptions .....	50
4.3.3 Fill Values .....	54
4.3.4 Data Types .....	54
5.0 Data Organization .....	55
5.1 Data Granularity .....	55
5.2 Data Format .....	55
5.2.1 Scientific Data Sets (SDS) .....	55

## TABLE OF CONTENTS

<u>Section</u>	<u>Page</u>
5.2.2 BDS SDS Summary .....	55
5.2.3 Vertex Data (VData).....	57
5.2.3.1 Converted Instrument Status Data .....	58
5.2.3.2 Converted Temperatures .....	59
5.2.3.3 Converted Voltages and Torques .....	61
5.2.3.4 Count Conversion Constants .....	62
5.2.3.5 Position Counts .....	63
5.2.3.6 Satellite - Celestial Data .....	63
5.2.3.7 Temperature Counts .....	64
5.2.3.8 Voltage - Torque Counts .....	65
6.0 Theory of Measurements and Data Manipulations .....	67
6.1 Theory of Measurements .....	67
6.2 Data Processing Sequence .....	67
6.3 Special Corrections/Adjustments .....	67
6.3.1 Spaceclamp Algorithm .....	68
6.3.2 Spurious Slow Mode Compensation.....	71
6.3.3 Point Spread Function (PSF) lag algorithm .....	71
6.3.4 Edit-limit and rate checks .....	72
7.0 Errors .....	73
7.1 Quality Assessment .....	73
7.2 Data Validation by Source .....	73
8.0 Notes .....	74
Note-1 Flight (Orbital) Data Conversion .....	74
Note-2 CERES Point Spread Function .....	78
Note-3 Field of View (FOV) .....	83
Note-4 Conversion of Julian Date to Calendar Date .....	84
9.0 Application of the Data Set .....	87
10.0 Future Modifications and Plans .....	87
11.0 Software Description .....	87
12.0 Contact Data Center/Obtain Data .....	87
13.0 Output Products and Availability .....	87
14.0 References .....	88
15.0 Glossary of Terms .....	89
16.0 List of Acronyms .....	93
17.0 Document Information .....	96
17.1 Document Creation Date - February 1998 .....	96
17.2 Document Review Date - July 1998 .....	96
17.3 Document Revision Date .....	96

## TABLE OF CONTENTS

<u>Section</u>	<u>Page</u>
17.4 Document ID: .....	96
17.5 Citation .....	96
17.6 Redistribution of Data .....	96
17.7 Document Curator .....	96
Appendix A CERES Metadata .....	A-1
Appendix B Instrument Status Data Reference Material .....	B-1
B.1 Raw Digital Status Description .....	B-1
B.2 Digital Status Enumerations .....	B-28
B.3 CERES Instrument Commands .....	B-32
B.4 Analog Parameter Submultiplexer Channels .....	B-53
B.5 Flight Code Memory Description .....	B-55
B.6 Flight Code Heater Algorithm .....	B-57
Appendix C Solar Avoidance Operations .....	C-1

## LIST OF FIGURES

<u>Figure</u>	<u>Page</u>
Figure 1-1. CERES Top Level Data Flow Diagram .....	4
Figure 4-1. Ancillary QA Flags Set 1 (Radiance Housekeeping) .....	18
Figure 4-2. Ancillary QA Flags Set 2 (Instrument Algorithm) .....	20
Figure 4-3. Viewing Angles at Surface or TOA .....	21
Figure 4-4. Clock Angle .....	24
Figure 4-5. Geocentric and Geodetic Colatitude/Longitude .....	25
Figure 4-6. Cone and Clock Angles .....	26
Figure 4-7. SDS format for mode dependent count offsets .....	26
Figure 4-8. Radiance and Mode Flags .....	28
Figure 4-9. Spacelook Average SDS Format .....	32
Figure 4-10. Azimuth Scan Profiles .....	36
Figure 4-11. Elevation Scan Profiles .....	37
Figure 5-1. BDS SDS schematic .....	55
Figure 5-2. Vdata record example .....	57
Figure 5-3. Count Conversion Constants Vdata Record Structure .....	62
Figure 6-1. Typical Raw Instrument Signal .....	69
Figure 6-2. Bridge Balance DAC Update Details .....	70
Figure 8-1. Scanner Footprint Geometry .....	78
Figure 8-2. CERES Field-of-View Angular Grid .....	79
Figure 8-3. Optical FOV .....	80
Figure 15-1. Subsolar Point .....	90
Figure 15-2. Ellipsoidal Earth Model .....	91
Figure 15-3. Subsatellite Point .....	92
Figure B-1. ICP and DAP Memory Maps (Aqua FM4 Example) .....	B-55



## LIST OF TABLES

<u>Table</u>	<u>Page</u>
Table 0-1. Document Revision Record .....	iv
Table 1-1. BDS Collection Data Product File Names .....	2
Table 1-2. Science Parameters .....	5
Table 1-3. Instrument Parameters .....	7
Table 1-4. Level-0 Parameters .....	10
Table 1-5. BDS Metadata Summary .....	13
Table 3-1. CERES Instruments .....	15
Table 4-1. BDS Spatial Coverage .....	16
Table 4-2. BDS Temporal Coverage .....	16
Table 4-3. Ancillary QA Flags Set 1 (Radiance Housekeeping) .....	18
Table 4-4. Ancillary QA Flags Set 2 (Instrument Algorithm) .....	20
Table 4-5. Radiance and Mode Quality Flags Definition .....	28
Table 4-6. Azimuth Default Normal and Solar Avoidance A/B Angles (Deg.) .....	34
Table 4-7. Azimuth Offset Correction Nominal Values (counts) .....	35
Table 4-8. Normal Earth Scan Elevation Profile .....	38
Table 4-9. Short Earth Scan Elevation Profile .....	38
Table 4-10a. MAM Scan (Solar Calibration) Elevation Profile .....	38
Table 4-10b. Alternate MAM Scan (Solar Calibration) Elevation Profile .....	39
Table 4-11. Nadir Earth Scan Elevation Profile .....	40
Table 4-12. Stowed Elevation Profile .....	40
Table 4-13. APID and Packet Format .....	46
Table 4-14. CERES Fill Values .....	54
Table 4-15. Data Types and Formats .....	54
Table 5-1. BDS Scientific Data Set (SDS) Summary .....	56
Table 5-2. Vdata Summary .....	58
Table 5-3. Converted Instrument Status Data Field Summary .....	58
Table 5-4. Converted Temperatures Field Summary .....	59
Table 5-5. Converted Voltages and Torques Field Summary .....	61
Table 5-6. Count Conversion Constants Field Summary .....	62
Table 5-7. Position Counts Field Summary .....	63
Table 5-8. Satellite - Celestial Data Field Summary .....	63
Table 5-9. Temperature Counts Field Summary .....	64
Table 5-10. Voltage - Torque Counts Field Summary .....	66
Table 6-1. Spaceclamp Validation Order .....	70
Table 6-2. Applied PSF Lag Angle (Degrees) .....	72

## LIST OF TABLES

<u>Table</u>	<u>Page</u>
Table 8-1. Algorithm 1 Blackbody Coefficients .....	74
Table 8-2. Algorithm 2 Temperature Coefficients - Shortwave Channel (1 of 2) .....	74
Table 8-3. Algorithm 2 Temperature Coefficients - Total Channel .....	75
Table 8-4. Algorithm 2 Temperature Coefficients - Window Channel .....	75
Table 8-5. Algorithm 4 Linear Coefficients .....	76
Table 8-6. Algorithm 4K Azimuth Gimbal Bias Coefficient (Counts) .....	76
Table 8-7. Detector Time Constant (t seconds) .....	81
Table 8-8. Julian Day Number (1 of 2) .....	85
Table A-1. CERES Baseline Header Metadata (1 of 2) .....	A-1
Table A-2. CERES_metadata Vdata .....	A-2
Table A-3. BDS Product Specific Metadata Parameters .....	A-3
Table B-1. Raw Digital Status Data (1 of 11) .....	B-1
Table B-2. Elevation Encoder Defined Offset (counts) .....	B-15
Table B-3. Main Cover Default Position Values (counts) .....	B-17
Table B-4. Main Cover Default Margin Values (counts) .....	B-18
Table B-5. MAM Cover Default Position Values (counts) .....	B-19
Table B-6. MAM Cover Default Margin Values (counts) .....	B-19
Table B-7. ICP and DAP Expected RAM Values (1 of 2) .....	B-20
Table B-8. DAP and ICP ROM Code Checksums .....	B-21
Table B-9. Brake Default Positions (counts) .....	B-24
Table B-10. Digital Status Enumerations (1 of 4) .....	B-28
Table B-11. CERES Instrument Command Enumerations (1 of 7) .....	B-32
Table B-12. Azimuth Offset Compensating Bias Count Values .....	B-39
Table B-13. Default Azimuth Goto Slew Rates (Deg/Sec) .....	B-40
Table B-14. Default Azimuth Async Slew Rates (Deg/Sec) .....	B-40
Table B-15. DAP Long Command Formats (1 of 2) .....	B-46
Table B-16. ICP Long Command Formats (1 of 2) .....	B-47
Table B-17. Allowable Sequence Mode Transition Table .....	B-48
Table B-18. Instrument Commands Allowed by Mode (1 of 4) .....	B-49
Table B-19. Analog Parameter Submultiplexer Channels (1 of 2) .....	B-53
Table B-20. PFM (TRMM) Memory Patch Loads .....	B-55
Table B-21. FM1 (Terra) Memory Patch Loads .....	B-56
Table B-22. FM2 (Terra) Memory Patch Loads .....	B-56
Table B-23. FM3 (Aqua) Memory Patch Loads .....	B-56
Table B-24. FM4 (Aqua) Memory Patch Loads .....	B-56
Table B-25. Heater Control Algorithm Default Coefficient Values .....	B-57

## Clouds and the Earth's Radiant Energy System (CERES) BiDirectional Scans (BDS) Collection Document

### Summary

The Clouds and the Earth's Radiant Energy System ([CERES](#)) is a key component of the Earth Observing System ([EOS](#)) program. The CERES instrument provides radiometric measurements of the Earth's atmosphere from three broadband channels: a shortwave channel (0.3 - 5  $\mu\text{m}$ ), a total channel (0.3 - 200  $\mu\text{m}$ ), and an infrared window channel (8 - 12  $\mu\text{m}$ ). The CERES instruments are improved models of the Earth Radiation Budget Experiment ([ERBE](#)) scanner instruments, which operated from 1984 through 1990 on the National Aeronautics and Space Administration's (NASA) Earth Radiation Budget Satellite ([ERBS](#)) and on the National Oceanic and Atmospheric Administration's (NOAA) operational weather satellites NOAA-9 and NOAA-10. The strategy of flying instruments on Sun-synchronous, polar orbiting satellites, such as NOAA-9 and NOAA-10, simultaneously with instruments on satellites that have precessing orbits in lower inclinations, such as ERBS, was successfully developed in ERBE to reduce time sampling errors. CERES continues that strategy by flying instruments on the polar orbiting EOS platforms simultaneously with an instrument on the Tropical Rainfall Measuring Mission ([TRMM](#)) spacecraft, which has an orbital inclination of 35 degrees. The TRMM satellite carries one CERES instrument while the EOS satellites carry two CERES instruments, one operating in a fixed azimuth plane scanning mode ([FAPS](#)) for continuous Earth sampling and the other operating in a rotating azimuth plane scan mode ([RAPS](#)) for improved angular sampling.

To preserve historical continuity, some parts of the [CERES](#) data reduction use algorithms identical with the algorithms used in [ERBE](#). At the same time, many of the algorithms on CERES are new. To reduce the uncertainty in data interpretation and to improve the consistency between the cloud parameters and the radiation fields, CERES includes cloud imager data and other atmospheric parameters. The CERES investigation is designed to monitor the top-of-atmosphere radiation budget as defined by ERBE, to define the physical properties of clouds, to define the surface radiation budget, and to determine the divergence of energy throughout the atmosphere. The CERES Data Management System produces products which support research to increase understanding of the Earth's climate and radiant environment.

Each BiDirectional Scans ([BDS](#)) data product contains twenty-four hours of Level-1b data for each [CERES](#) scanner instrument mounted on each spacecraft. The BDS includes samples taken in normal and short Earth scan elevation profiles in both fixed and rotating azimuth scan modes (including space, internal calibration, and solar calibration views). The BDS contains Level-0 raw (unconverted) science and instrument data as well as the geolocated converted science and instrument data. The BDS contains additional data not found in the Level-0 input file, including converted satellite position and velocity data, celestial data, converted digital status data, and parameters used in the radiance count conversion equations. This document provides information which describes the BDS collection for all CERES instruments.

## Table of Contents

1. Collection Overview
2. Investigators
3. Origination
4. Data Description
5. Data Organization
6. Theory of Measurements and Data Manipulations
7. Errors
8. Notes
9. Application of the Data Set
10. Future Modifications and Plans
11. Software Description
12. Contact Data Center/Obtain Data
13. Output Products and Availability
14. References
15. Glossary of Terms
16. List of Acronyms
17. Document Information

### 1.0 Collection Overview

#### 1.1 Collection Identification

The [BDS](#) Collection is made up of seven distinct data products. Their Product-ID and complete file names according to the [CERES](#) file naming convention are shown in [Table 1-1](#).

Table 1-1. BDS Collection Data Product File Names

Product-ID	File Name	External Distribution
<a href="#">BDS</a>	CER_BDS_Sampling-Strategy_Production-Strategy_XXXXXX.YYYYMMDD	Yes
BDSS	CER_BDSS_Sampling-Strategy_Production-Strategy_XXXXXX.YYYYMMDD	No
BDSD	CER_BDSD_Sampling-Strategy_Production-Strategy_XXXXXX.YYYYMMDD	No
BDSG	CER_BDSG_Sampling-Strategy_Production-Strategy_XXXXXX.YYYYMMDD	No
BDSP	CER_BDSP_Sampling-Strategy_Production-Strategy_XXXXXX.YYYYMMDD	No
BDSM	CER_BDSM_Sampling-Strategy_Production-Strategy_XXXXXX.YYYYMMDD	No
BDSF	CER_BDSF_Sampling-Strategy_Production-Strategy_XXXXXX.YYYYMMDD	No

where:

- CER Investigation designation for CERES,
- BDS Product-ID for the primary science data product (external distribution),
- BDSS Product-ID for the Solar calibration data product,

BDS	Product-ID for the Diagnostic science data product,
BDSF	Product-ID for the Fixed pattern diagnostic data product,
BDSG	Product-ID for the Gimbal diagnostic data product,
BDSM	Product-ID for the Memory dump diagnostic data product,
BDSP	Product-ID for the Processor diagnostic data product,
Sampling-Strategy	Platform and instrument (e.g., <a href="#">TRMM-PFM</a> , Terra- <a href="#">FM1</a> ),
Production-Strategy	Edition or campaign (e.g., At-launch, Edition1),
XXXXXX	Configuration code for file and software version management,
YYYY	4-digit calendar year integer,
MM	2-digit calendar month integer, and
DD	2-digit calendar day integer defining the data acquisition date.

## 1.2 Collection Introduction

The [BDS](#) is a suite of distinct data products containing up to 24 hours of data from a single instrument and can consist of up to seven distinct products. The product available for external distribution is the BDS, the primary science product. The other products are used by the Instrument Working Group for investigating anomalies or instrument performance.

## 1.3 Objective/Purpose

The overall science objectives of the [CERES](#) investigation are

1. For climate change research, provide a continuation of the [ERBE](#) record of radiative fluxes at the top of the atmosphere (TOA) that are analyzed using the same techniques used with existing ERBE data.
2. Double the accuracy of estimates of radiative fluxes at the TOA and the Earth's surface from existing ERBE data.
3. Provide the first long-term global estimates of the radiative fluxes within the Earth's atmosphere.
4. Provide cloud property estimates which are consistent with the radiative fluxes from surface to TOA.

The [CERES](#) Data Management System ([DMS](#)) is a software management and processing system which processes CERES instrument measurements and associated engineering data to produce archival science and other data products. The DMS is executed at the LaRC [DAAC](#), which is also responsible for distributing the data products. A high-level view of the CERES DMS is illustrated by the CERES Top Level Data Flow Diagram shown in [Figure 1-1](#)

Circles in the diagram represent algorithm processes called subsystems, which are a logical collection of algorithms that together convert input products into output products. Boxes represent archival products. Two parallel lines represent data stores which are designated as nonarchival or temporary data products. Boxes or data stores with arrows entering a circle are input sources for the subsystem, while boxes or data stores with arrows exiting the circles are output products.



## 1.4 Summary of Parameters

The **BDS** parameters are divided into science, instrument, Level- 0, and metadata groupings only for discussion purposes in this document. The parameters within each grouping are listed in alphabetical order in the following sections. The parameter definitions are given in [Section 4.3.2](#). Each parameter is mapped into the seven distinct BDS data products as shown in [Table 1-2](#), [Table 1-3](#), [Table 1-4](#), and [Table 1-5](#).

### 1.4.1 Science

[Table 1-2](#) alphabetically lists the **BDS** science data, which are distributed to the science community and become the basis for higher-level science products. Information in the Link and Parameter Name columns are hyperlinked to the parameter definition found in [Section 4.3.2.1 Science Parameter Descriptions](#). The Link column identifier, SCI-n, refers to the science parameter grouping. The Structure Link column identifiers are links to a description of the Hierarchical Data Format (**HDF**) structure and organization.

Table 1-2. Science Parameters (1 of 2)

Link	Parameter Name	Structure Link	BDS	BDSS	BDSD	BDSF	BDSG	BDSM	BDSP
<a href="#">SCI-1</a>	<a href="#">Ancillary QA Flags Set 1 (Radiance Housekeeping)</a>	<a href="#">Sec. 5.2.2</a>	X	X	X		X	X	X
<a href="#">SCI-2</a>	<a href="#">Ancillary QA Flags Set 2 (Spaceclamp Algorithm)</a>	<a href="#">Sec. 5.2.2</a>	X	X	X		X	X	X
<a href="#">SCI-3</a>	<a href="#">CERES Relative Azimuth at Surface</a>	<a href="#">Sec. 5.2.2</a>	X	X	X		X	X	X
<a href="#">SCI-4</a>	<a href="#">CERES Relative Azimuth at TOA - Geocentric</a>	<a href="#">Sec. 5.2.2</a>	X	X	X		X	X	X
<a href="#">SCI-5</a>	<a href="#">CERES Solar Zenith at Surface</a>	<a href="#">Sec. 5.2.2</a>	X	X	X		X	X	X
<a href="#">SCI-6</a>	<a href="#">CERES Solar Zenith at TOA - Geocentric</a>	<a href="#">Sec. 5.2.2</a>	X	X	X		X	X	X
<a href="#">SCI-7</a>	<a href="#">CERES SW Filtered Radiance, Upwards</a>	<a href="#">Sec. 5.2.2</a>	X	X	X				
<a href="#">SCI-8</a>	<a href="#">CERES TOT Filtered Radiance, Upwards</a>	<a href="#">Sec. 5.2.2</a>	X	X	X				
<a href="#">SCI-9</a>	<a href="#">CERES Viewing Zenith at Surface</a>	<a href="#">Sec. 5.2.2</a>	X	X	X		X	X	X
<a href="#">SCI-10</a>	<a href="#">CERES Viewing Zenith at TOA - Geocentric</a>	<a href="#">Sec. 5.2.2</a>	X	X	X		X	X	X
<a href="#">SCI-11</a>	<a href="#">CERES WN Filtered Radiance, Upwards</a>	<a href="#">Sec. 5.2.2</a>	X	X	X				
<a href="#">SCI-12</a>	<a href="#">Clock Angle of CERES FOV at Satellite wrt Inertial Velocity</a>	<a href="#">Sec. 5.2.2</a>	X	X	X		X	X	X
<a href="#">SCI-13</a>	<a href="#">Colatitude of CERES FOV at Surface</a>	<a href="#">Sec. 5.2.2</a>	X	X	X		X	X	X
<a href="#">SCI-14</a>	<a href="#">Colatitude of CERES FOV at TOA</a>	<a href="#">Sec. 5.2.2</a>	X	X	X		X	X	X
<a href="#">SCI-15</a>	<a href="#">Colatitude of Subsatellite Point at Surface at record end</a>	<a href="#">Sec. 5.2.3.6</a>	X	X	X	X	X	X	X
<a href="#">SCI-16</a>	<a href="#">Colatitude of Subsatellite Point at Surface at record start</a>	<a href="#">Sec. 5.2.3.6</a>	X	X	X	X	X	X	X
<a href="#">SCI-17</a>	<a href="#">Colatitude of Subsolar Point at Surface</a>	<a href="#">Sec. 5.2.3.6</a>	X	X	X	X	X	X	X
<a href="#">SCI-18</a>	<a href="#">Cone Angle of CERES FOV at Satellite</a>	<a href="#">Sec. 5.2.2</a>	X	X	X		X	X	X
<a href="#">SCI-19</a>	<a href="#">Count Conversion SW Sample Offsets</a>	<a href="#">Sec. 5.2.2</a>	X	X	X				

Table 1-2. Science Parameters (2 of 2)

Link	Parameter Name	Structure Link	BDS	BDSS	BDSD	BDSF	BDSDG	BDSM	BDSP
SCI-20	Count Conversion TOT Sample Offsets	<a href="#">Sec. 5.2.2</a>	X	X	X				
SCI-21	Count Conversion WN Sample Offsets	<a href="#">Sec. 5.2.2</a>	X	X	X				
SCI-22	Earth-Sun Distance	<a href="#">Sec. 5.2.3.6</a>	X	X	X	X	X	X	X
SCI-23	Julian Date and Time	<a href="#">Sec. 5.2.2</a>	X	X	X	X	X	X	X
SCI-24	Longitude of CERES FOV at Surface	<a href="#">Sec. 5.2.2</a>	X	X	X		X	X	X
SCI-25	Longitude of CERES FOV at TOA	<a href="#">Sec. 5.2.2</a>	X	X	X		X	X	X
SCI-26	Longitude of Subsatellite Point at Surface at record end	<a href="#">Sec. 5.2.3.6</a>	X	X	X	X	X	X	X
SCI-27	Longitude of Subsatellite Point at Surface at record start	<a href="#">Sec. 5.2.3.6</a>	X	X	X	X	X	X	X
SCI-28	Longitude of Subsolar Point at Surface	<a href="#">Sec. 5.2.3.6</a>	X	X	X	X	X	X	X
SCI-29	Radiance and Mode Flags	<a href="#">Sec. 5.2.2</a>	X	X	X		X	X	X
SCI-30	Rate of Change of Clock Angle	<a href="#">Sec. 5.2.2</a>	X	X	X		X	X	X
SCI-31	Rate of Change of Cone Angle	<a href="#">Sec. 5.2.2</a>	X	X	X		X	X	X
SCI-32	Satellite Position at record end	<a href="#">Sec. 5.2.3.6</a>	X	X	X	X	X	X	X
SCI-33	Satellite Position at record start	<a href="#">Sec. 5.2.3.6</a>	X	X	X	X	X	X	X
SCI-34	Satellite Velocity at record end	<a href="#">Sec. 5.2.3.6</a>	X	X	X	X	X	X	X
SCI-35	Satellite Velocity at record start	<a href="#">Sec. 5.2.3.6</a>	X	X	X	X	X	X	X
SCI-36	SW Channel Spurious Slow Mode Constants	<a href="#">Sec. 5.2.3.4</a>	X	X	X				
SCI-39	SW Channel Gain Constants	<a href="#">Sec. 5.2.3.4</a>	X	X	X				
SCI-42	SW Radiance Edit Limits	<a href="#">Sec. 5.2.3.4</a>	X	X	X				
SCI-45	SW Spaceclamp Values	<a href="#">Sec. 5.2.2</a>	X	X	X				
SCI-37	TOT Channel Spurious Slow Mode Constants	<a href="#">Sec. 5.2.3.4</a>	X	X	X				
SCI-40	TOT Channel Gain Constants	<a href="#">Sec. 5.2.3.4</a>	X	X	X				
SCI-43	TOT Radiance Edit Limits	<a href="#">Sec. 5.2.3.4</a>	X	X	X				
SCI-46	TOT Spaceclamp Values	<a href="#">Sec. 5.2.2</a>	X	X	X				
SCI-38	WN Channel Spurious Slow Mode Constants	<a href="#">Sec. 5.2.3.4</a>	X	X	X				
SCI-41	WN Channel Gain Constants	<a href="#">Sec. 5.2.3.4</a>	X	X	X				
SCI-44	WN Radiance Edit Limits	<a href="#">Sec. 5.2.3.4</a>	X	X	X				
SCI-47	WN Spaceclamp Values	<a href="#">Sec. 5.2.2</a>	X	X	X				



## 1.4.2 Instrument

Table 1-3 alphabetically lists the BDS converted instrument engineering data, which are primarily intended for quality evaluation of the science parameters. While many of these parameters have both a raw and converted value, only one definition is given in Section 4.3.2.2 Instrument Parameter Descriptions and is accessible by the Link and Parameter Name hyperlink columns. The Link column identifier, INS-n, refers to the instrument data grouping. The Structure Link column identifiers are links to a HDF organization description. The corresponding raw values (See Table 1-4) are in different data structures than the converted values.

Table 1-3. Instrument Parameters (1 of 3)

Link	Parameter Name	Structure Link	BDS	BDSS	BDSD	BDSF	BDSG	BDSM	BDSP
INS-1	<a href="#">ACA Electronics Temperature</a>	<a href="#">Sec. 5.2.3.2</a>	X	X	X		X	X	X
INS-2	<a href="#">ACA Torque Output</a>	<a href="#">Sec. 5.2.3.3</a>	X	X	X		X	X	X
INS-3	<a href="#">Azimuth Defined Asynchronous Scan Rate</a>	<a href="#">Sec. 5.2.3.1</a>	X	X	X	X	X	X	X
INS-4	<a href="#">Azimuth Defined Crosstrack Position</a>	<a href="#">Sec. 5.2.3.1</a>	X	X	X	X	X	X	X
INS-5	<a href="#">Azimuth Defined Fixed Cage Position</a>	<a href="#">Sec. 5.2.3.1</a>	X	X	X	X	X	X	X
INS-6	<a href="#">Azimuth Defined Fixed Position A</a>	<a href="#">Sec. 5.2.3.1</a>	X	X	X	X	X	X	X
INS-7	<a href="#">Azimuth Defined Fixed Position B</a>	<a href="#">Sec. 5.2.3.1</a>	X	X	X	X	X	X	X
INS-8	<a href="#">Azimuth Defined Fixed Position Spare 1</a>	<a href="#">Sec. 5.2.3.1</a>	X	X	X	X	X	X	X
INS-9	<a href="#">Azimuth Defined Fixed Position Spare 2</a>	<a href="#">Sec. 5.2.3.1</a>	X	X	X	X	X	X	X
INS-10	<a href="#">Azimuth Defined Fixed Position Spare 3</a>	<a href="#">Sec. 5.2.3.1</a>	X	X	X	X	X	X	X
INS-11	<a href="#">Azimuth Defined Fixed Solar Calibration Position</a>	<a href="#">Sec. 5.2.3.1</a>	X	X	X	X	X	X	X
INS-12	<a href="#">Azimuth Defined Normal Slew Rate</a>	<a href="#">Sec. 5.2.3.1</a>	X	X	X	X	X	X	X
INS-13	<a href="#">Azimuth Defined Synchronous Scan Rate</a>	<a href="#">Sec. 5.2.3.1</a>	X	X	X	X	X	X	X
INS-14	<a href="#">Azimuth Error</a>	<a href="#">Sec. 5.2.2</a>					X		
INS-15	<a href="#">Azimuth Lower Bearing Temperature</a>	<a href="#">Sec. 5.2.3.2</a>	X	X	X		X	X	X
INS-16	<a href="#">Azimuth Offset Correction</a>	<a href="#">Sec. 5.2.3.1</a>	X	X	X	X	X	X	X
INS-17	<a href="#">Azimuth Position Error</a>	<a href="#">Sec. 5.2.3.1</a>	X	X	X	X	X	X	X
INS-18	<a href="#">Azimuth Upper Bearing Temperature</a>	<a href="#">Sec. 5.2.3.2</a>	X	X	X		X	X	X
INS-19	<a href="#">Converted Azimuth Angles</a>	<a href="#">Sec. 5.2.2</a>	X	X	X		X	X	X
INS-20	<a href="#">Converted Elevation Angles</a>	<a href="#">Sec. 5.2.2</a>	X	X	X		X	X	X
INS-21	<a href="#">DAA +10V Reference</a>	<a href="#">Sec. 5.2.3.3</a>	X	X	X		X	X	X
INS-22	<a href="#">DAA +12V</a>	<a href="#">Sec. 5.2.3.3</a>	X	X	X		X	X	X
INS-23	<a href="#">DAA +130V</a>	<a href="#">Sec. 5.2.3.3</a>	X	X	X		X	X	X
INS-24	<a href="#">DAA +15V</a>	<a href="#">Sec. 5.2.3.3</a>	X	X	X		X	X	X
INS-25	<a href="#">DAA +5V</a>	<a href="#">Sec. 5.2.3.3</a>	X	X	X		X	X	X
INS-26	<a href="#">DAA -10V Reference</a>	<a href="#">Sec. 5.2.3.3</a>	X	X	X		X	X	X
INS-27	<a href="#">DAA -12V</a>	<a href="#">Sec. 5.2.3.3</a>	X	X	X		X	X	X

Table 1-3. Instrument Parameters (2 of 3)

Link	Parameter Name	Structure Link	BDS	BDSS	BDSD	BDSF	BDSG	BDSM	BDSP
INS-28	DAA -130V	Sec. 5.2.3.3	X	X	X		X	X	X
INS-29	DAA -15V	Sec. 5.2.3.3	X	X	X		X	X	X
INS-30	DAA ADC Electronics Temperature	Sec. 5.2.3.2	X	X	X		X	X	X
INS-31	DAA Ground Reference 1	Sec. 5.2.3.3	X	X	X		X	X	X
INS-32	DAA Ground Reference 2	Sec. 5.2.3.3	X	X	X		X	X	X
INS-33	DAA Processor Electronics Temperature	Sec. 5.2.3.2	X	X	X		X	X	X
INS-34	DAA Radiator Temperature	Sec. 5.2.3.2	X	X	X		X	X	X
INS-35	DAP Maximum Execution Time	Sec. 5.2.3.1	X	X	X	X	X	X	X
INS-36	DAP Minimum Execution Time	Sec. 5.2.3.1	X	X	X	X	X	X	X
INS-39	DAP Timing	Sec. 5.2.2							X
INS-41	Detector +120V Bias	Sec. 5.2.3.3	X	X	X		X	X	X
INS-42	Detector -120V Bias	Sec. 5.2.3.3	X	X	X		X	X	X
INS-43	ECA Electronics Temperature	Sec. 5.2.3.2	X	X	X		X	X	X
INS-44	ECA Radiator Temperature	Sec. 5.2.3.2	X	X	X		X	X	X
INS-45	ECA Torque Output	Sec. 5.2.3.3	X	X	X		X	X	X
INS-47	Elevation Bearing Temperature-CW	Sec. 5.2.3.2	X	X	X		X	X	X
INS-48	Elevation Bearing Temperature-Motor	Sec. 5.2.3.2	X	X	X		X	X	X
INS-49	Elevation Error	Sec. 5.2.2					X		
INS-50	Elevation Offset Correction	Sec. 5.2.3.1	X	X	X	X	X	X	X
INS-51	Elevation Spindle Temperature-CW	Sec. 5.2.3.2	X	X	X		X	X	X
INS-52	Elevation Spindle Temperature-Motor	Sec. 5.2.3.2	X	X	X		X	X	X
INS-53	ICA +10V Bias	Sec. 5.2.3.3	X	X	X		X	X	X
INS-58	ICA +15V Internal	Sec. 5.2.3.3	X	X	X		X	X	X
INS-54	ICA +15V to ECA/ACA	Sec. 5.2.3.3	X	X	X		X	X	X
INS-55	ICA + 5V Analog	Sec. 5.2.3.3	X	X	X		X	X	X
INS-56	ICA +5V Digital	Sec. 5.2.3.3	X	X	X		X	X	X
INS-57	ICA -15V Internal	Sec. 5.2.3.3	X	X	X		X	X	X
INS-59	ICA -15V to ECA/ACA	Sec. 5.2.3.3	X	X	X		X	X	X
INS-60	ICA ADC Electronics Temperature	Sec. 5.2.3.2	X	X	X		X	X	X
INS-61	ICA Processor Electronics Temperature	Sec. 5.2.3.2	X	X	X		X	X	X
INS-62	ICA Radiator Temperature	Sec. 5.2.3.2	X	X	X		X	X	X
INS-37	ICP Maximum Execution Time	Sec. 5.2.3.1	X	X	X	X	X	X	X
INS-38	ICP Minimum Execution Time	Sec. 5.2.3.1	X	X	X	X	X	X	X
INS-40	ICP Timing	Sec. 5.2.2							X
INS-63	Instrument ID Number	Sec. 5.2.3.1	X	X	X	X	X	X	X

Table 1-3. Instrument Parameters (3 of 3)

Link	Parameter Name	Structure Link	BDS	BDSS	BDSD	BDSF	BDSG	BDSM	BDSP
INS-64	Main Cover Motor Temperature	Sec. 5.2.3.2	X	X	X		X	X	X
INS-65	MAM Assembly SW Temperature	Sec. 5.2.3.2	X	X	X		X	X	X
INS-66	MAM Assembly Total Temperature	Sec. 5.2.3.2	X	X	X		X	X	X
INS-67	MAM Total Baffle Temperature 1	Sec. 5.2.3.2	X	X	X		X	X	X
INS-68	MAM Total Baffle Temperature 2	Sec. 5.2.3.2	X	X	X		X	X	X
INS-69	Packet Counter - Absolute	Sec. 5.2.3.1	X	X	X	X	X	X	X
INS-70	Packet Counter - Relative	Sec. 5.2.3.1	X	X	X	X	X	X	X
INS-71	Packet Data Indicator	Sec. 5.2.3.1	X	X	X	X	X	X	X
INS-72	Packet Data Version	Sec. 5.2.3.1	X	X	X	X	X	X	X
INS-73	Packet Timecode Indicator	Sec. 5.2.3.1	X	X	X	X	X	X	X
INS-74	PCA Electronics Temperature	Sec. 5.2.3.2	X	X	X		X	X	X
INS-75	PCA Radiator Temperature	Sec. 5.2.3.2	X	X	X		X	X	X
INS-76	Pedestal Temperature 1-Brake Housing	Sec. 5.2.3.2	X	X	X		X	X	X
INS-77	Pedestal Temperature 2-Isolator	Sec. 5.2.3.2	X	X	X		X	X	X
INS-78	Science Packet Quick Look Status Flag	Sec. 5.2.3.1	X	X	X	X	X	X	X
INS-79	Sensor Electronics Temperature	Sec. 5.2.3.2	X	X	X		X	X	X
INS-80	Sensor Module Temperature	Sec. 5.2.3.2	X	X	X		X	X	X
INS-81	SW Detector Control Temperature	Sec. 5.2.3.2	X	X	X		X	X	X
INS-84	SW Detector Monitor Temperature	Sec. 5.2.3.2	X	X	X		X	X	X
INS-87	SWICS Lamp Current	Sec. 5.2.3.3	X	X	X		X	X	X
INS-88	SWICS Photodiode Temperature	Sec. 5.2.3.2	X	X	X		X	X	X
INS-89	TOT Blackbody Temperature	Sec. 5.2.3.2	X	X	X		X	X	X
INS-83	WN Detector Control Temperature	Sec. 5.2.3.2	X	X	X		X	X	X
INS-85	TOT Detector Monitor Temperature	Sec. 5.2.3.2	X	X	X		X	X	X
INS-90	WN Blackbody Temperature	Sec. 5.2.3.2	X	X	X		X	X	X
INS-83	WN Detector Control Temperature	Sec. 5.2.3.2	X	X	X		X	X	X
INS-86	WN Detector Monitor Temperature	Sec. 5.2.3.2	X	X	X		X	X	X

### 1.4.3 Level-0

Table 1-4 alphabetically lists the Level-0 raw instrument science and engineering data, which are the fundamental digital measurements from the CERES instrument. The Link and Parameter Name column identifiers are hyperlinked to the parameter definition found in Section 4.3.2.3 Level-0 Parameter Descriptions. The Link column identifier, LVL-n, refers to the Level-0 parameter grouping. The Structure Link column identifiers are links to a description of the HDF structure and organization.

Table 1-4. Level-0 Parameters (1 of 3)

Link	Parameter Name	Structure Link	BDS	BDSS	BDS D	BDSF	BDSG	BDSM	BDS P
<a href="#">INS-1</a>	<a href="#">ACA Electronics Temperature</a>	<a href="#">Sec. 5.2.3.7</a>	X	X	X		X	X	X
<a href="#">LVL-1</a>	<a href="#">ACA Encoder Clear Track A</a>	<a href="#">Sec. 5.2.3.5</a>	X	X	X		X	X	X
<a href="#">LVL-0</a>	<a href="#">ACA Encoder Clear Track B</a>	<a href="#">Sec. 5.2.3.5</a>	X	X	X		X	X	X
<a href="#">INS-2</a>	<a href="#">ACA Torque Output</a>	<a href="#">Sec. 5.2.3.8</a>	X	X	X		X	X	X
<a href="#">LVL-0</a>	<a href="#">Azimuth Brake Position</a>	<a href="#">Sec. 5.2.3.5</a>	X	X	X		X	X	X
<a href="#">LVL-0</a>	<a href="#">Azimuth Error Counts</a>	<a href="#">Sec. 5.2.2</a>					X		
<a href="#">INS-15</a>	<a href="#">Azimuth Lower Bearing Temperature</a>	<a href="#">Sec. 5.2.3.7</a>	X	X	X		X	X	X
<a href="#">LVL-0</a>	<a href="#">Azimuth Position Count</a>	<a href="#">Sec. 5.2.2</a>	X	X	X		X	X	X
<a href="#">INS-18</a>	<a href="#">Azimuth Upper Bearing Temperature</a>	<a href="#">Sec. 5.2.3.7</a>	X	X	X		X	X	X
<a href="#">LVL-0</a>	<a href="#">Blackbody Heater DAC Value</a>	<a href="#">Sec. 5.2.3.7</a>	X	X	X		X	X	X
<a href="#">INS-21</a>	<a href="#">DAA +10V Reference</a>	<a href="#">Sec. 5.2.3.8</a>	X	X	X		X	X	X
<a href="#">INS-22</a>	<a href="#">DAA +12V</a>	<a href="#">Sec. 5.2.3.8</a>	X	X	X		X	X	X
<a href="#">INS-23</a>	<a href="#">DAA +130V</a>	<a href="#">Sec. 5.2.3.8</a>	X	X	X		X	X	X
<a href="#">INS-24</a>	<a href="#">DAA +15V</a>	<a href="#">Sec. 5.2.3.8</a>	X	X	X		X	X	X
<a href="#">INS-25</a>	<a href="#">DAA +5V</a>	<a href="#">Sec. 5.2.3.8</a>	X	X	X		X	X	X
<a href="#">INS-26</a>	<a href="#">DAA -10V Reference</a>	<a href="#">Sec. 5.2.3.8</a>	X	X	X		X	X	X
<a href="#">INS-27</a>	<a href="#">DAA -12V</a>	<a href="#">Sec. 5.2.3.8</a>	X	X	X		X	X	X
<a href="#">INS-28</a>	<a href="#">DAA -130V</a>	<a href="#">Sec. 5.2.3.8</a>	X	X	X		X	X	X
<a href="#">INS-29</a>	<a href="#">DAA -15V</a>	<a href="#">Sec. 5.2.3.8</a>	X	X	X		X	X	X
<a href="#">INS-30</a>	<a href="#">DAA ADC Electronics Temperature</a>	<a href="#">Sec. 5.2.3.7</a>	X	X	X		X	X	X
<a href="#">INS-31</a>	<a href="#">DAA Ground Reference 1</a>	<a href="#">Sec. 5.2.3.8</a>	X	X	X		X	X	X
<a href="#">INS-32</a>	<a href="#">DAA Ground Reference 2</a>	<a href="#">Sec. 5.2.3.8</a>	X	X	X		X	X	X
<a href="#">INS-33</a>	<a href="#">DAA Processor Electronics Temperature</a>	<a href="#">Sec. 5.2.3.7</a>	X	X	X		X	X	X
<a href="#">INS-34</a>	<a href="#">DAA Radiator Temperature</a>	<a href="#">Sec. 5.2.3.7</a>	X	X	X		X	X	X
<a href="#">LVL-0</a>	<a href="#">DAP Memory</a>	<a href="#">Sec. 5.2.2</a>						X	
<a href="#">LVL-0</a>	<a href="#">DAP Timing Counts</a>	<a href="#">Sec. 5.2.2</a>							X
<a href="#">INS-41</a>	<a href="#">Detector +120V Bias</a>	<a href="#">Sec. 5.2.3.8</a>	X	X	X		X	X	X
<a href="#">INS-42</a>	<a href="#">Detector -120V Bias</a>	<a href="#">Sec. 5.2.3.8</a>	X	X	X		X	X	X

Table 1-4. Level-0 Parameters (2 of 3)

Link	Parameter Name	Structure Link	BDS	BDSS	BDSD	BDSF	BDSG	BDSM	BDSP
INS-43	ECA Electronics Temperature	Sec. 5.2.3.7	X	X	X		X	X	X
INS-44	ECA Radiator Temperature	Sec. 5.2.3.5	X	X	X		X	X	X
LVL-0	ECA Encoder Clear Track B	Sec. 5.2.3.5	X	X	X		X	X	X
INS-44	ECA Radiator Temperature	Sec. 5.2.3.7	X	X	X		X	X	X
INS-45	ECA Torque Output	Sec. 5.2.3.8	X	X	X		X	X	X
INS-51	Elevation Spindle Temperature-CW	Sec. 5.2.3.7	X	X	X		X	X	X
INS-52	Elevation Spindle Temperature-Motor	Sec. 5.2.3.7	X	X	X		X	X	X
LVL-0	Elevation Error Counts	Sec. 5.2.2					X		
LVL-0	Elevation Position Count	Sec. 5.2.2	X	X	X		X	X	X
INS-51	Elevation Spindle Temperature-CW	Sec. 5.2.3.7	X	X	X		X	X	X
INS-52	Elevation Spindle Temperature-Motor	Sec. 5.2.3.7	X	X	X		X	X	X
LVL-0	Fixed Pattern 1	Sec. 5.2.2				X			
LVL-0	Fixed Pattern 2	Sec. 5.2.2				X			
LVL-0	Fixed Pattern 3	Sec. 5.2.2				X			
LVL-0	Fixed Pattern 4	Sec. 5.2.2				X			
LVL-0	Fixed Pattern 5	Sec. 5.2.2				X			
LVL-0	Fixed Pattern 6	Sec. 5.2.2				X			
INS-53	ICA +10V Bias	Sec. 5.2.3.8	X	X	X		X	X	X
INS-58	ICA +15V Internal	Sec. 5.2.3.8	X	X	X		X	X	X
INS-54	ICA +15V to ECA/ACA	Sec. 5.2.3.8	X	X	X		X	X	X
INS-55	ICA + 5V Analog	Sec. 5.2.3.8	X	X	X		X	X	X
INS-56	ICA +5V Digital	Sec. 5.2.3.8	X	X	X		X	X	X
INS-57	ICA -15V Internal	Sec. 5.2.3.8	X	X	X		X	X	X
INS-59	ICA -15V to ECA/ACA	Sec. 5.2.3.8	X	X	X		X	X	X
INS-60	ICA ADC Electronics Temperature	Sec. 5.2.3.7	X	X	X		X	X	X
INS-61	ICA Processor Electronics Temperature	Sec. 5.2.3.7	X	X	X		X	X	X
INS-62	ICA Radiator Temperature	Sec. 5.2.3.7	X	X	X		X	X	X
LVL-0	ICP Memory	Sec. 5.2.2						X	
LVL-0	ICP Timing Counts	Sec. 5.2.2							X
INS-64	Main Cover Motor Temperature	Sec. 5.2.3.7	X	X	X		X	X	X
LVL-0	Main Cover Position 1	Sec. 5.2.3.5	X	X	X		X	X	X
LVL-0	Main Cover Position 2	Sec. 5.2.3.5	X	X	X		X	X	X
INS-65	MAM Assembly SW Temperature	Sec. 5.2.3.7	X	X	X		X	X	X
INS-66	MAM Assembly Total Temperature	Sec. 5.2.3.7	X	X	X		X	X	X
LVL-0	MAM Cover Position	Sec. 5.2.3.5	X	X	X		X	X	X

Table 1-4. Level-0 Parameters (3 of 3)

Link	Parameter Name	Structure Link	BDS	BDSS	BDSD	BDSF	BDSG	BDSM	BDSP
INS-67	MAM Total Baffle Temperature 1	<a href="#">Sec. 5.2.3.7</a>	X	X	X		X	X	X
INS-68	MAM Total Baffle Temperature 2	<a href="#">Sec. 5.2.3.7</a>	X	X	X		X	X	X
INS-74	PCA Electronics Temperature	<a href="#">Sec. 5.2.3.7</a>	X	X	X		X	X	X
INS-75	PCA Radiator Temperature	<a href="#">Sec. 5.2.3.7</a>	X	X	X		X	X	X
INS-76	Pedestal Temperature 1-Brake Housing	<a href="#">Sec. 5.2.3.7</a>	X	X	X		X	X	X
INS-77	Pedestal Temperature 2-Isolator	<a href="#">Sec. 5.2.3.7</a>	X	X	X		X	X	X
LVL-0	Raw Instrument Status Data	<a href="#">Sec. 5.2.2</a>	X	X	X	X	X	X	X
INS-79	Sensor Electronics Temperature	<a href="#">Sec. 5.2.3.7</a>	X	X	X		X	X	X
INS-80	Sensor Module Temperature	<a href="#">Sec. 5.2.3.7</a>	X	X	X		X	X	X
LVL-0	Spacecraft Time	<a href="#">Sec. 5.2.2</a>						X	
LVL-0	SPS 1 Narrow FOV	<a href="#">Sec. 5.2.3.5</a>	X	X	X		X	X	X
LVL-0	SPS 1 Wide FOV	<a href="#">Sec. 5.2.3.5</a>	X	X	X		X	X	X
LVL-0	SPS 2 Narrow FOV	<a href="#">Sec. 5.2.3.5</a>	X	X	X		X	X	X
LVL-0	SPS 2 Wide FOV	<a href="#">Sec. 5.2.3.5</a>	X	X	X		X	X	X
LVL-0	SW Channel Heater DAC Value	<a href="#">Sec. 5.2.3.7</a>	X	X	X		X	X	X
INS-81	SW Detector Control Temperature	<a href="#">Sec. 5.2.3.7</a>	X	X	X		X	X	X
INS-84	SW Detector Monitor Temperature	<a href="#">Sec. 5.2.3.7</a>	X	X	X		X	X	X
LVL-0	SW Detector Outputs	<a href="#">Sec. 5.2.2</a>	X	X	X				
INS-87	SWICS Lamp Current	<a href="#">Sec. 5.2.3.8</a>	X	X	X		X	X	X
LVL-0	SWICS Photodiode Output	<a href="#">Sec. 5.2.3.8</a>	X	X	X		X	X	X
INS-88	SWICS Photodiode Temperature	<a href="#">Sec. 5.2.3.7</a>	X	X	X		X	X	X
LVL-0	TOT Detector Outputs	<a href="#">Sec. 5.2.2</a>	X	X	X				
INS-89	TOT Blackbody Temperature	<a href="#">Sec. 5.2.3.7</a>	X	X	X		X	X	X
LVL-0	Total Channel Heater DAC Value	<a href="#">Sec. 5.2.3.7</a>	X	X	X		X	X	X
INS-82	TOT Detector Control Temperature	<a href="#">Sec. 5.2.3.7</a>	X	X	X		X	X	X
INS-85	TOT Detector Monitor Temperature	<a href="#">Sec. 5.2.3.7</a>	X	X	X		X	X	X
INS-90	WN Blackbody Temperature	<a href="#">Sec. 5.2.3.7</a>	X	X	X		X	X	X
LVL-0	WN Channel Heater DAC Value	<a href="#">Sec. 5.2.3.7</a>	X	X	X		X	X	X
INS-83	WN Detector Control Temperature	<a href="#">Sec. 5.2.3.7</a>	X	X	X		X	X	X
INS-86	WN Detector Monitor Temperature	<a href="#">Sec. 5.2.3.7</a>	X	X	X		X	X	X
LVL-0	WN Detector Outputs	<a href="#">Sec. 5.2.2</a>	X	X	X				

### 1.4.4 Metadata

The [BDS](#) metadata are summarized in [Table 1-5](#) and the detailed listings are in [Appendix A](#).

Table 1-5. [BDS](#) Metadata Summary

Description Table	HDF Name	BDS	BDSS	BDSD	BDSF	BDSC	BDSM	BDSP
<a href="#">Table A-1</a>	<a href="#">CERES</a> Baseline Header Metadata	X	X	X	X	X	X	X
<a href="#">Table A-2</a>	<a href="#">CERES</a> _metadata Vdata	X	X	X	X	X	X	X
<a href="#">Table A-3</a>	BDS Product Specific Metadata	X	X	X	X	X	X	X

## 1.5 Discussion

The Geolocate and Calibrate Earth Radiances or Instrument Subsystem (SS1.0) is the first data processing unit in the [CERES](#) Data Management System. The primary input data set is a 24-hour, Level-0 instrument data stream of chronologically-ordered data packets. Each packet contains a full 6.6 second scan cycle of measurement data from the three broadband radiometric channels. The radiance measurements are sampled and output every 0.01 second while engineering data are sampled at least once in each scan cycle. Examples of the engineering data are elevation and azimuth positions, voltage and temperature measurements, and instrument status information. SS1.0 converts the Level-0 digital count data into geolocated and calibrated spectrally filtered radiances for the three radiometric channels. The Level-0 orbit ephemeris and spacecraft attitude data along with the elevation and azimuth positions are used to compute the science measurement geolocation. SS1.0 also converts all instrument engineering and spacecraft ephemeris data into engineering units. A post-processing program extracts a subset of [BDS](#) parameters (called a Pre-ES8) for input to the [ERBE](#)-like Subsystem 2.0. Subsystem 1.0 also produces the [IES](#) product which is input to the Cloud Subsystem 4.0.

## 1.6 Related Collections

See the [CERES](#) Data Products Catalog ([Reference 1](#)) for a complete collection listing.

## 2.0 Investigators

Dr. Bruce R. Barkstrom, [CERES](#) Instrument Principal Investigator  
E-mail: [b.r.barkstrom@larc.nasa.gov](mailto:b.r.barkstrom@larc.nasa.gov)  
Telephone: (757) 864-5676

Dr. Bruce A. Wielicki, CERES Interdisciplinary Principal Investigator  
E-mail: [b.a.wielicki@larc.nasa.gov](mailto:b.a.wielicki@larc.nasa.gov)  
Telephone: (757) 864-5683

Mail Stop 420  
Atmospheric Sciences Division Building 1250  
21 Langley Boulevard  
NASA Langley Research Center  
Hampton, Virginia 23681-2199  
FAX: (757) 864-7996

## 2.1 Title of Investigation

Geolocate and Calibrate Earth Radiances (Subsystem 1.0)

## 2.2 Contact Information

Mr. Robert B. Lee, III, Instrument Working Group Chair  
Mail Stop 420  
Atmospheric Sciences Division Building 1250  
21 Langley Boulevard  
NASA Langley Research Center  
Hampton, Virginia 23681-2199  
Telephone: (757) 864-5679  
FAX: (757) 864-7996  
E-mail: [r.b.lee@larc.nasa.gov](mailto:r.b.lee@larc.nasa.gov)



### 3.0 Origination

The [CERES](#) data originate from CERES instruments on-board either the [TRMM](#) or the [EOS](#) Earth-orbiting spacecrafts. [Table 3-1](#) lists the CERES instruments and their host satellites.

Table 3-1. CERES Instruments

Satellite	CERES Instruments	
TRMM	ProtoFlight Model (PFM)	
Terra	Flight Model 1 (FM1)	Flight Model 2 (FM2)
Aqua	Flight Model 3 (FM3)	Flight Model 4 (FM4)

The [CERES](#) instrument contains three scanning thermistor bolometer radiometers that measure the radiation in the near-visible through far-infrared spectral region. The shortwave detector measures Earth-reflected and Earth-emitted solar radiation and the window detector measures Earth-emitted longwave radiation in the water vapor window. The total detector measures total Earth-reflected and Earth-emitted radiance. The detectors are coaligned and mounted on a spindle that rotates about the instrument elevation axis. The resolution of the CERES radiometers is usually referenced to the optical [FOV](#) (See [Note TBD](#)).

The [CERES](#) instrument has an operational scanning cycle of 6.6 seconds and various scan elevation profiles. Radiometric measurements are sampled from the detectors every 0.01 seconds in all scanning profiles. The instrument makes Earth-viewing science measurements while the detectors rotate in the vertical (elevation scan) plane, and while the instrument horizontal (azimuth scan) plane is either fixed or rotating. The instrument has built-in calibration sources for performing in-flight calibrations, and can also be calibrated by measuring solar radiances reflected by a solar diffuser plate into the instrument field of view. See the In-flight Measurement Analysis document, DRL 64, provided by the CERES instrument builder TRW ([Reference 2](#)), and the CERES Algorithm Theoretical Basis Document ([ATBD](#)) for Subsystem 1.0 ([Reference 3](#)).

## 4.0 Data Description

### 4.1 Spatial Characteristics

#### 4.1.1 Spatial Coverage

The [BDS](#) collection is a global data set whose spatial coverage depends on the satellite orbit as shown in [Table 4-1](#). The BDS contains all daily orbital swaths of [CERES](#) footprint data.

Table 4-1. BDS Spatial Coverage

Spacecraft: Instrument(s)	Minimum Latitude (deg)	Maximum Latitude (deg)	Minimum Longitude (deg)	Maximum Longitude (deg)	Spacecraft Altitude (km)
<a href="#">TRMM</a> : <a href="#">PFM</a>	-52	52	-180	180	350
Terra: <a href="#">FM1</a> & <a href="#">FM2</a>	-90	90	-180	180	705
Aqua: <a href="#">FM3</a> & <a href="#">FM4</a>	-90	90	-180	180	705

#### 4.1.2 Spatial Resolution

Each [BDS](#) record represents 660 [CERES](#) measurements. The spatial scale of each measurement or footprint varies with the viewing zenith. The resolution of the CERES radiometers is usually referenced to the optical [FOV](#) (See [Term-6](#)).

## 4.2 Temporal Characteristics

#### 4.2.1 Temporal Coverage

The [BDS](#) temporal coverage begins after the spacecraft is launched, the scan covers are opened, and the early in-orbit calibration check-out is completed (See [Table 4-2](#)).

Table 4-2. BDS Temporal Coverage

Spacecraft	Instrument	Launch Date	Start Date	End Date
<a href="#">TRMM</a>	<a href="#">PFM</a>	11/27/1997	12/27/97	8/31/1998*
Terra	<a href="#">FM1</a> & <a href="#">FM2</a>	12/18/99	2/25/00	TBD
Aqua	<a href="#">FM3</a> & <a href="#">FM4</a>	Expected late-2000	TBD	TBD

\* The [PFM](#) instrument has operated only occasionally since 9/1/98 due to a power converter anomaly. However, it is anticipated that the [PFM](#) will resume operations in a continuous Biaxial configuration once the [FM1](#) and [FM2](#) instruments begin science coverage. Coverage will continue until the [PFM](#) instrument ceases functioning.

## 4.2.2 Temporal Resolution

The [CERES](#) instrument is expected to be operational throughout the [TRMM](#) and [EOS](#) mission lifetimes. Since [BDS](#) products are produced whenever the CERES instruments are operational, a continuous global data collection is expected. Each BDS measurement within a record represents a radiometric measurement taken every 0.01 seconds, and each record covers 6.6 seconds.

## 4.3 Data Characteristics

### 4.3.1 Parameter/Variable

The complete alphabetical listings of [BDS](#) parameters are shown in [Section 1.0](#) in [Table 1-2](#), [Table 1-3](#), and [Table 1-4](#) and correspond to the science, instrument, and Level-0 groupings, respectively. The parameter descriptions beginning in the next section are also organized by science (SCI), instrument (INS), and Level-0 (LVL) groupings where SCI, INS, and LVL are acronyms denoting the particular data grouping. Listed for each definition are the (units), [range], and a {link} to the section describing the parameter structure as it is written to the output product. The ranges are considered nominal values unless specified otherwise. For example, if a parameter has an associated QA flag, a non-nominal range may have been used for quality testing.

### 4.3.2 Variable Description/Definition

#### 4.3.2.1 Science Parameter Descriptions

The [CERES](#) science parameters are computed using the geodetic coordinate system. However, several parameters are computed in the geocentric coordinate system, and will specifically include the term "geocentric" in the parameter name. The geocentric parameters are used by the ERBE-like Subsystems since [ERBE](#) products are archived in the geocentric coordinate system. An alphabetical listing of the science parameters is shown in [Table 1-2](#).

#### SCI-1 Ancillary QA Flags Set 1 (Radiance Housekeeping)

This parameter is a 32-bit word that contains various quality assurance flags about scan and measurement level data that are used in the radiance conversion algorithm. The status word bit ordering is shown in [Figure 4-1](#), where zero is the least significant bit.

(none) [N/A] {[Section 5.2.2 BDS SDS Summary](#)}

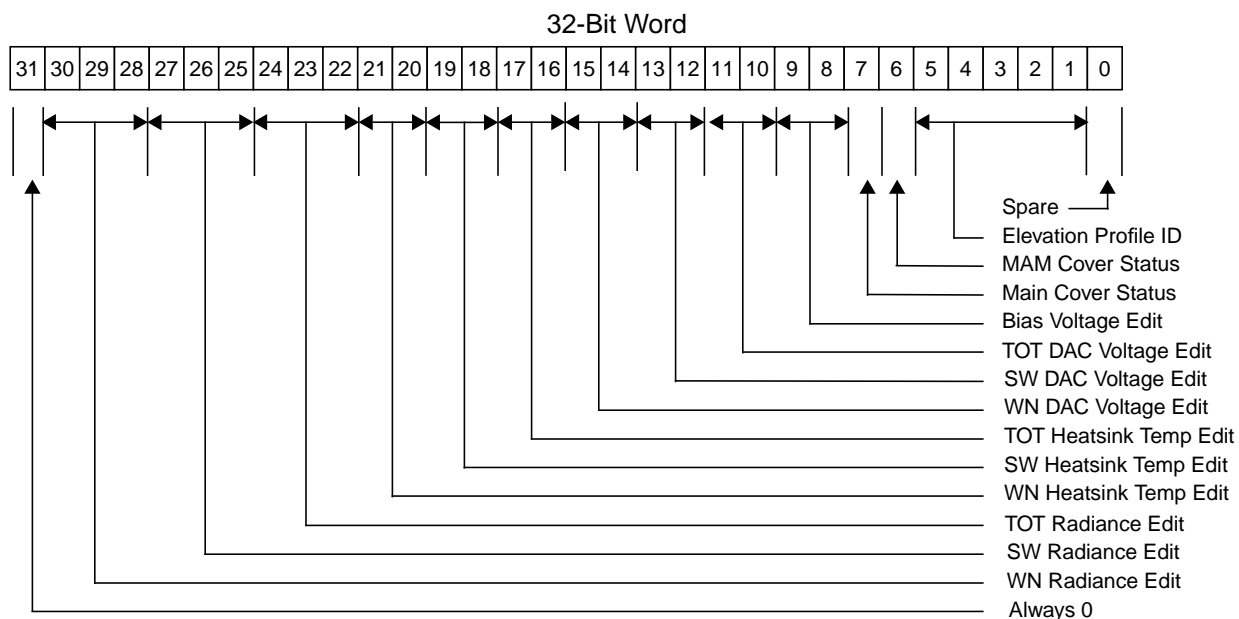


Figure 4-1. Ancillary QA Flags Set 1 (Radiance Housekeeping)

The individual flags are defined in [Table 4-3](#).

Table 4-3. Ancillary QA Flags Set 1 (Radiance Housekeeping)

Item	Bits	Flag Parameter Name
	0	Spares. Available for future use. Set to zero
<a href="#">QAA-1</a>	1 .. 5	Elevation Profile ID
<a href="#">QAA-2</a>	6	MAM Cover Status (A scan level flag):
<a href="#">QAA-3</a>	7	Main Cover Status (A scan level flag):
<a href="#">QAA-4</a>	8 .. 9	Bias Voltage Edit Check (A measurement level flag):
<a href="#">QAA-5</a>	10 .. 11	TOT DAC Voltage Edit Check (A measurement level flag):
<a href="#">QAA-5</a>	12 .. 13	SW DAC Voltage Edit Check (A measurement level flag):
<a href="#">QAA-5</a>	14 .. 15	WN DAC Voltage Edit Check (A measurement level flag):
<a href="#">QAA-6</a>	16 .. 17	TOT Heatsink Temperature Edit Check (A measurement level flag):
<a href="#">QAA-6</a>	18 .. 19	SW Heatsink Temperature Edit Checks (A measurement level flag):
<a href="#">QAA-6</a>	20 .. 21	WN Heatsink Temperature Edit Check (A measurement level flag):
<a href="#">QAA-7</a>	22 .. 24	TOT Radiance Edit Check (A measurement level flag):
<a href="#">QAA-7</a>	25 .. 27	SW Radiance Edit Check (A measurement level flag):
<a href="#">QAA-7</a>	28 .. 30	WN Radiance Edit Check (A measurement level flag):
	31	N/A; Set to zero

**QAA-1 Elevation Profile ID (A scan level flag):**

This flag identifies the actual elevation scan profile being performed for this scan. The values are used internally by the processing system. It is an index used by the radiance count conversion process for accessing the corresponding position offset table. ID values vary depending on the instrument and the variety of profile options created or selected by the science team.

**QAA-2 MAM Cover Status (A scan level flag):**

The Mirror Attenuator Mosaic (MAM) is used for solar calibrations. It has a contamination cover which is commanded open as part of initial on-orbit check-out.

- 0 = Opened
- 1 = Closed

**QAA-3 Main Cover Status (A scan level flag):**

The main contamination cover shields the radiometric detectors during launch operations. It is commanded open as part of initial on-orbit checkout.

- 0 = Opened
- 1 = Closed

**QAA-4 Bias Voltage Edit Check (A measurement level flag):**

A bias voltage is converted from counts to volts and is used to compute a scan average for the radiance count conversion equations.

- 00 = Passed all edit checks (See [Section 6.3.4](#)).
- 01 = Failed a high limit edit check.
- 10 = Failed a low limit edit check.
- 11 = Failed a rate edit check (measurement-to-measurement).

**QAA-5 TOT/SW/WN DAC Voltage Edit Check (A measurement level flag):**

A digital-to-analog converter (DAC) voltage count value is used to compute a scan average for the radiance count conversion equations.

- 00 = Passed all edit checks (See [Section 6.3.4](#)).
- 01 = Failed a high limit edit check.
- 10 = Failed a low limit edit check.
- 11 = Failed a rate edit check (measurement-to-measurement).

**QAA-6 TOT/SW/WN Heatsink Temperature Edit Check (A measurement level flag):**

A converted heatsink temperature is used to compute a scan average for the radiance count conversion equations.

- 00 = Passed all edit checks (See [Section 6.3.4](#)).
- 01 = Failed a high limit edit check.
- 10 = Failed a low limit edit check.
- 11 = Failed a rate edit check (measurement-to-measurement).

**QAA-7 TOT/SW/WN Radiance Edit Check (A measurement level flag):**

A flag to indicate the status of simple edit checks applied to converted filtered radiances.

- 00 = Passed all edit checks (See [Section 6.3.4](#)).
- 01 = Failed a high limit edit check.
- 10 = Failed a low limit edit check.
- 11 = Failed a rate edit check (measurement-to-measurement).

**SCI-2 Ancillary QA Flags Set 2 (Spaceclamp Algorithm)**

This 32-bit word contains information about measurement level data that are used in the radiance conversion algorithm. The bit ordering of the status word is shown below in [Figure 4-2](#).

(none) [N/A] { [Section 5.2.2 BDS SDS Summary](#) }

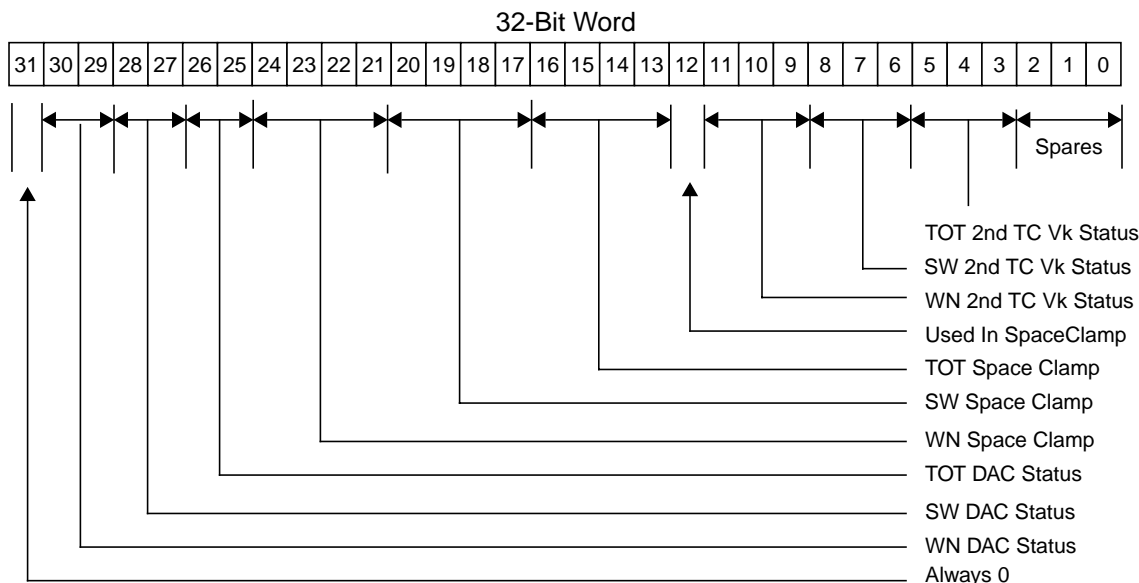


Figure 4-2. Ancillary QA Flags Set 2 (Instrument Algorithm)

The individual instrument algorithm quality flags are defined in [Table 4-4](#).

Table 4-4. Ancillary QA Flags Set 2 (Instrument Algorithm)

Item	Bits	Flag Parameter
	0 .. 2	Spares. Available for future use. Set to zero
<a href="#">QAB-1</a>	3 .. 5	<a href="#">TOT</a> 2nd Time Constant Vk Status (A measurement level flag):
<a href="#">QAB-1</a>	6 .. 8	<a href="#">SW</a> 2nd Time Constant Vk Status (A measurement level flag):
<a href="#">QAB-1</a>	9 .. 11	<a href="#">WN</a> 2nd Time Constant Vk Status (A measurement level flag):
<a href="#">QAB-2</a>	12 .. 12	Measurement Used in Spaceclamp
<a href="#">QAB-3</a>	13 .. 16	<a href="#">TOT</a> SpaceClamp Status (A measurement level flag):
<a href="#">QAB-3</a>	17 .. 20	<a href="#">SW</a> SpaceClamp Status (A measurement level flag):
<a href="#">QAB-3</a>	21 .. 24	<a href="#">WN</a> SpaceClamp Status (A measurement level flag):
<a href="#">QAB-4</a>	25 .. 26	<a href="#">TOT DAC</a> Status (A scan level flag):
<a href="#">QAB-4</a>	27 .. 28	<a href="#">SW DAC</a> Status (A scan level flag):
<a href="#">QAB-4</a>	29 .. 30	<a href="#">WN DAC</a> Status (A scan level flag):
	31	N/A; Set to zero

**QAB-1 TOT/SW/WN 2nd Time Constant Vk Status (A measurement level flag):**

A flag indicating how the spurious transient compensation function (i.e., the 2nd time constant numerical equation) was used to adjust the radiance measurement. See [Section 6.3.2](#) for additional information.

- 000 = Off: The measurement did not use the spurious transient compensation function.
- 001 = Used\_Previous: The measurement used a Vk term in the spurious transient compensation function that was derived from the previous measurement Vk term.
- 010 = Recalculated: The measurement used a substituted, calculated Vk term in the spurious transient compensation function that was not derived from the previous measurement Vk term due to a time gap or a bad radiance value.

**QAB-2 TOT/SW/WN Measurement used In SpaceClamp Algorithm (A measurement level flag):**

A flag indicating whether the detector count value for this measurement was used in computing a spaceclamp average value for the count conversion algorithm.

0 = True: The detector count values for this measurement were used.

1 = False: The detector count values for this measurement were not used.

**QAB-3 TOT/SW/WN SpaceClamp Status (A measurement level flag):**

A flag indicating the edit check status of the computed spaceclamp value used in this radiance measurement computation.

0000 = Passed all edit and algorithm tests (See [Section 6.3.4](#)).

0001 = Outside statistical edit limits.

0010 = Too few measurements to compute a space clamp.

0011 = No Second Value (i.e., the spaceclamp from the current scan was duplicated).

0100 = DAC Reset occurred.

0101 = Unrecoverable DAC Update (i.e., could not adjust for the update).

0110 = Adjusted the DAC Update.

0111 = Invalid Zero Reference.

1000 = Moon In FOV (Verified by ToolKit celestial calculations)

1001 = Moon Check Error (A ToolKit error due to missing ephemeris during Terra processing)

1111 = Unknown Error.

Others = Reserved for future use.

**QAB-4 TOT/SW/WN DAC Status (A scan level flag):**

A digital-to-analog converter (DAC) is used to digitize measurements. Due to the inherent drift of the detectors, it must shift scales to maintain the proper dynamic range of the DAC. This status represents the scaling operations performed.

00 = Good: The bridge balance controller was on and in a maintenance configuration.

01 = Updated: The bridge balance controller did an update (fine adjustment).

10 = Reset: The bridge balance controller did a reset (coarse adjustment).

11 = Off: The bridge balance controller was off.

**SCI-3 CERES Relative Azimuth at Surface**

This parameter is the geodetic azimuth angle  $\phi$  (See [Figure 4-3](#)) at the Earth point (See [Term-5](#)) of the satellite relative to the solar plane. (deg) [0 .. 360] {[Section 5.2.2 BDS SDS Summary](#)}

The relative azimuth is measured clockwise in the plane normal to the geodetic zenith (See [Term-10](#)) so that the relative azimuth of the Sun is always  $180^\circ$ . The solar plane is the plane which contains the geodetic zenith vector and a vector from the Earth point to the Sun. If the Earth point is north of the geodetic subsolar point (See [Term-9](#)) on the same meridian, then an azimuth of  $90^\circ$  would imply the satellite is east of the Earth point.

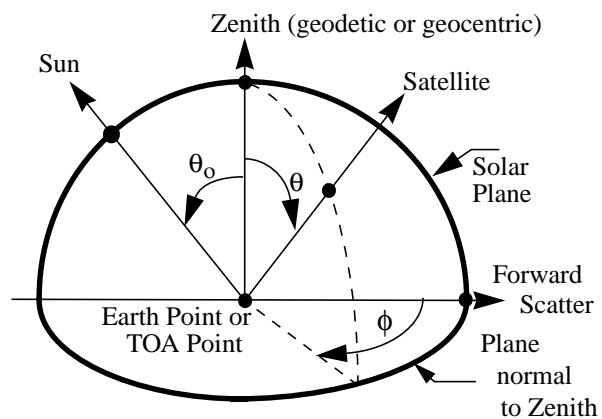


Figure 4-3. Viewing Angles at Surface or TOA

**SCI-4 CERES Relative Azimuth at TOA - Geocentric**

This parameter is the geocentric azimuth angle  $\phi$  (See [Figure 4-3](#)) at the [TOA](#) point (See [Term-15](#)) of the satellite relative to the solar plane.

(deg) [0 .. 360] {[Section 5.2.2 BDS SDS Summary](#)}

The relative azimuth is measured clockwise in the plane normal to the geocentric zenith (See [Term-8](#)) so that the relative azimuth of the Sun is always  $180^\circ$ . The solar plane is the plane which contains the geocentric zenith vector and a vector from the TOA point to the Sun. If the TOA point is north of the geocentric subsolar point (See [Term-7](#)) on the same meridian, then an azimuth of  $90^\circ$  would imply the satellite is east of the target point.

**SCI-5 CERES Solar Zenith at Surface**

This parameter is the geodetic zenith angle  $\theta_o$  (See [Figure 4-3](#)) at the Earth point (See [Term-5](#)) of the Sun. (deg) [0 .. 180] {[Section 5.2.2 BDS SDS Summary](#)}

The geodetic solar zenith is the angle between the geodetic zenith (See [Term-10](#)) vector and a vector from the Earth point to the Sun.

**SCI-6 CERES Solar Zenith at TOA - Geocentric**

This parameter is the geocentric zenith angle  $\theta_o$  (See [Figure 4-3](#)) at the [TOA](#) point (See [Term-15](#)) of the Sun. (deg) [0 .. 180] {[Section 5.2.2 BDS SDS Summary](#)}

The geocentric solar zenith is the angle between the geocentric zenith (See [Term-8](#)) vector and a vector from the TOA point to the Sun.

**SCI-7 CERES SW Filtered Radiance, Upwards**

The [CERES SW](#) filtered radiance is the measured, spectrally integrated radiance emerging from the [TOA](#) (See [Term-14](#)), where the spectral integration is weighted by the spectral throughput of the SW channel. It is the measurement from the SW channel after count conversion ([Reference 3](#)). ( $\text{Wm}^{-2} \text{sr}^{-1}$ ) [-5 .. 375] {[Section 5.2.2 BDS SDS Summary](#)}

The SW filtered radiance is a measure of all radiance that passes through the SW channel. The spectral weighting produced by the SW channel throughput is the product of the SW filter throughput and the [TOT](#) channel throughput (See [SCI-8](#)). The SW spectral throughput passes about 75% of the radiant power with wavelengths shorter than  $5 \mu\text{m}$  and cuts off sharply at about  $5 \mu\text{m}$ . Wavelengths longer than this wavelength contribute a very small fraction of this measurement. The SW filtered radiance value is defined as either “good” or “bad” by the Radiance and Mode Flags (See [SCI-29](#)). If the value is “bad”, for any reason, the SW filtered radiance is set to a default fill value. If the value is “good”, the measured value is retained.

**SCI-8 CERES TOT Filtered Radiance, Upwards**

The [CERES TOT](#) filtered radiance is the measured, spectrally integrated radiance emerging from the [TOA](#), where the spectral integration is weighted by the spectral throughput of the TOT



channel. It is the measurement from the TOT channel after count conversion ([Reference 3](#)). ( $\text{Wm}^{-2} \text{sr}^{-1}$ ) [-5 .. 420] {[Section 5.2.2 BDS SDS Summary](#)}

The TOT filtered radiance is a measure of all radiance that passes through the TOT channel. The spectral weighting produced by the TOT channel throughput is the product of the primary mirror reflectance, the secondary mirror reflectance, and the absorptance of the detector flake. The TOT spectral throughput passes about 90% of the radiant power with wavelengths longer than  $5\mu\text{m}$  and about 85% of the power with shorter wavelengths. The filtered TOT radiance value is defined as either “good” or “bad” by the Radiance and Mode Flags (See [SCI-29](#)). If the value is “bad”, for any reason, the TOT filtered radiance is set to a default fill value. If the value is “good”, the measured value is retained.

### **SCI-9 CERES Viewing Zenith at Surface**

This parameter is the geodetic angle  $\theta$  (See [Figure 4-3](#)) at the Earth point (See [Term-5](#)) to the satellite. (deg) [0 .. 90] {[Section 5.2.2 BDS SDS Summary](#)}

The geodetic viewing zenith is the angle between the geodetic zenith (See [Term-8](#)) vector and a vector from the Earth point to the satellite.

### **SCI-10 CERES Viewing Zenith at TOA - Geocentric**

This parameter is the geocentric angle  $\theta$  (See [Figure 4-3](#)) at the TOA point (See [Term-15](#)) to the satellite. (deg) [0 .. 90] {[Section 5.2.2 BDS SDS Summary](#)}

The geocentric viewing zenith is the angle between the geocentric zenith (See [Term-8](#)) vector and a vector from the TOA point to the satellite.

### **SCI-11 CERES WN Filtered Radiance, Upwards**

The [CERES WN](#) filtered radiance is a measured, spectrally integrated radiance emerging from the TOA, where the spectral integration is weighted by the spectral throughput of the WN channel. It has a bandpass from approximately 8 to  $12\mu\text{m}$ . It is the measurement from the window channel after count conversion ([Reference 3](#)). ( $\text{Wm}^{-2} \text{sr}^{-1}$ ) [-2 .. 105] {[Section 5.2.2 BDS SDS Summary](#)}

The WN filtered radiance is a measure of all radiance that passes through the WN channel. The spectral weighting produced by the WN channel throughput is the product of the WN filter throughput and the TOT channel throughput (See [SCI-8](#)). The WN spectral throughput passes about 67% of the radiant power between 8 to  $12\mu\text{m}$ . The filtered WN radiance value is defined as either “good” or “bad” by the Radiance and Mode Flags ([SCI-29](#)). If the value is “bad”, for any reason, the WN filtered radiance is set to a default fill value. If the value is “good”, the measured value is retained.

### **SCI-12 Clock Angle of CERES FOV at Satellite wrt Inertial Velocity**

The clock angle (See [Figure 4-4](#) and [Figure 4-6](#)) is the azimuth angle of the instrument view vector from the satellite to the Earth point (See [Term-5](#)) relative to the inertial velocity vector. (deg) [0 .. 360] {[Section 5.2.2 BDS SDS Summary](#)}

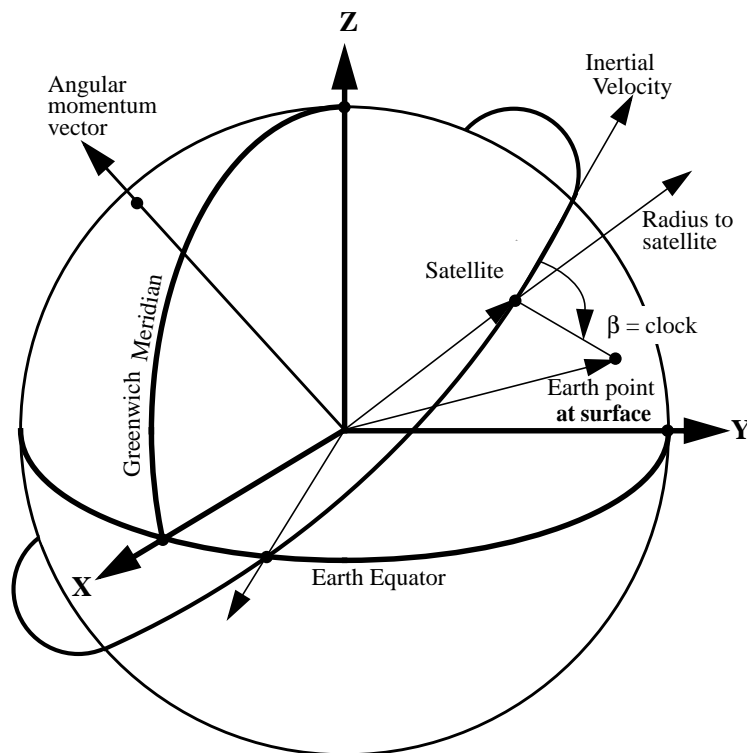


Figure 4-4. Clock Angle

The clock angle, along with the cone angle (See [Figure 4-6](#) and [SCI-18](#)) define the direction of the instrument view vector to the Earth point.

The clock angle  $\beta$  is defined in a right-handed coordinate system centered at the satellite where  $z$  is toward the center of the Earth,  $x$  is in the direction of the inertial velocity vector, and  $y$  completes the triad.

When  $\beta = 270^\circ$ , the Earth point is on the same side of the orbit as the orbital angular momentum vector (See [Figure 4-4](#)). When  $\beta = 0^\circ$ , the Earth point is directly ahead of the satellite. This is true when the spacecraft is flying in the  $+x$  axis forward orientation. For [TRMM](#), the spacecraft will need to fly  $-x$  axis forward whenever the Solar beta angle is less than zero. Under these

conditions, the sign of this clock angle will be negative.

The toolkit call (See [Reference 4](#)) `PGS_CSC_SCToORB` transforms the instrument view vector in spacecraft coordinates to  $(x,y,z)$  orbital coordinates and the clock angle is defined by

$$x/d = \cos\beta \text{ and } y/d = \sin\beta \text{ and } d = \sqrt{x^2 + y^2}.$$

### SCI-13 Colatitude of CERES FOV at Surface

This parameter is the geodetic colatitude angle  $\Theta_d$  (See [Figure 4-5](#)) of the Earth point (See [Term-5](#)). (deg) [0 .. 180] {[Section 5.2.2 BDS SDS Summary](#)}

The geodetic colatitude is the angle between the geodetic zenith (See [Term-10](#)) at the Earth point and a vector normal to the Earth equator toward the North pole as defined in the Earth equator, Greenwich meridian system (See [Term-3](#)).

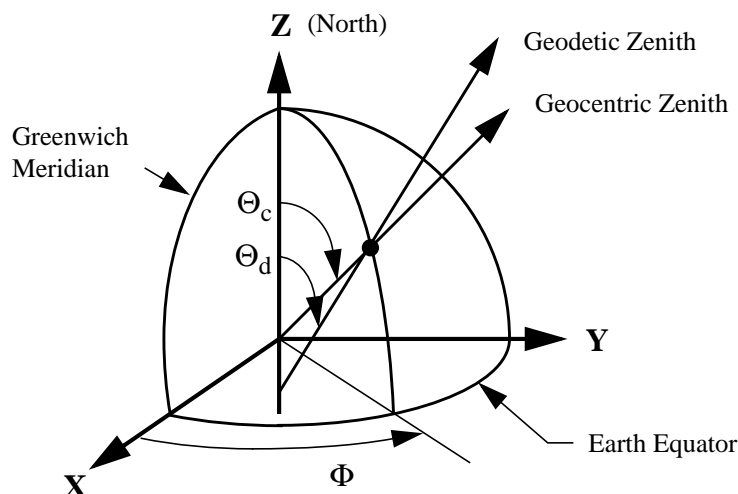


Figure 4-5. Geocentric and Geodetic Colatitude/Longitude

#### SCI-14 Colatitude of CERES FOV at TOA

This parameter is the geodetic colatitude angle  $\Theta_c$  (See Figure 4-5) of the TOA point (See Term-15). (deg) [0 .. 180] {Section 5.2.2 BDS SDS Summary}

The geodetic colatitude is the angle between the geodetic zenith (See Term-10) at the TOA point and a vector normal to the Earth equator toward the North pole as defined in the Earth equator,

Greenwich meridian system (See Term-3).

#### SCI-15 Colatitude of Subsatellite Point at Surface at record end

This parameter is the geodetic colatitude angle  $\Theta_d$  (See Figure 4-5) of the subsatellite point (See Term-12). The end of the record is 6.59 sec after the start of the record. (deg) [0 .. 180] {Section 5.2.3.6 Satellite - Celestial Data}

The geodetic colatitude is the angle between the geodetic zenith (See Term-10) to the satellite and a vector normal to the Earth equator toward the North pole as defined in the Earth equator, Greenwich meridian system (See Term-3).

#### SCI-16 Colatitude of Subsatellite Point at Surface at record start

See SCI-15: Colatitude of Subsatellite Point at Surface at record end.

#### SCI-17 Colatitude of Subsolar Point at Surface

This parameter is the geodetic colatitude angle  $\Theta_d$  (See Figure 4-5) of the geodetic subsolar point (See Term-9) on the Earth surface (See Term-4). (deg) [0 .. 180] {Section 5.2.3.6 Satellite - Celestial Data}

The geodetic colatitude is the angle between the geodetic zenith (See Term-10) to the Sun and a vector normal to the Earth equator toward the North pole as defined in the Earth equator, Greenwich meridian system (See Term-3).

#### SCI-18 Cone Angle of CERES FOV at Satellite

The cone angle (See Figure 4-6) is the angle between a vector from the satellite to the center of the Earth and the instrument view vector from the satellite to the Earth point (See Term-5). (deg) [0 .. 90] {Section 5.2.2 BDS SDS Summary}

The cone angle, along with the clock angle, (See [Figure 4-4](#) and [SCI-12](#)) define the direction of the instrument view vector to the Earth point.

The toolKit call (See [Reference 4](#)) `PGS_CSC_SCtoORB` transforms the instrument view vector in spacecraft coordinates to (x,y,z) orbital coordinates (See [SCI-18](#)) and the cone angle is defined by  $z = \cos \alpha$ .

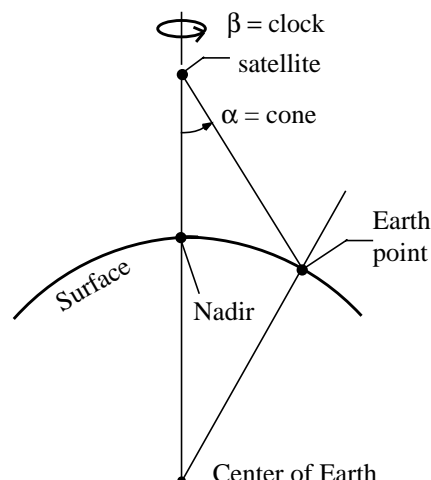


Figure 4-6. Cone and Clock Angles

**SCI-19 Count Conversion SW Sample Offsets**

**SCI-20 Count Conversion TOT Sample Offsets**

**SCI-21 Count Conversion WN Sample Offsets**

These three parameters contain the detector count offsets for the [SW](#), [TOT](#) and [WN](#) detector channels, respectively. (count) [N/A] {[Section 5.2.2 BDS SDS Summary](#)}

Each of these offset parameters are written to the output product as a [HDF Science Data Set \(SDS\)](#) structure. Each structure is organized as a 4 x 660 matrix of 32-bit floating point numbers and can be depicted as 4 sets of 660 sample based offset values (See [Figure 4-7](#)). During processing, one or more sets of offsets are used in the count conversion process, depending on the elevation and azimuth modes of the instrument.

	Offset 1	Offset 2	Offset 3	Offset 4	Offset 5	...	Offset 660
FAPS Normal →	Offset	Offset	Offset	Offset	Offset	...	Offset
FAPS Short →	Offset	Offset	Offset	Offset	Offset	...	Offset
RAPS Normal →	Offset	Offset	Offset	Offset	Offset	...	Offset
RAPS Short →	Offset	Offset	Offset	Offset	Offset	...	Offset

Figure 4-7. SDS format for mode dependent count offsets

**SCI-22 Earth-Sun Distance**

The Earth-Sun distance is the distance from the Earth’s surface to the Sun and is updated at the start of every packet. The ToolKit routine `PGS_CBP_Earth_CB_Vector` computes the Earth-Centered Inertial (ECI) position vector to the Sun. The ToolKit routine `PGS_CSC_ECItOECR` transforms the ECI position vector to the Earth-Centered Rotating (ECR) or Earth equator, Greenwich meridian rectangular coordinate system (See [Term-3](#)). The Earth-Sun distance is computed from the position vector using the distance formula and then converted from meters to AU. (AU) [0.98..1.02] {[Section 5.2.3.6 Satellite - Celestial Data](#)}.

**SCI-23 Julian Date and Time**

The Julian Date (or day) and Time is the time at which the [CERES](#) radiometers recorded the measurement. The Julian day changes at Greenwich noon rather than midnight (See [Term-11](#)). The time is a fraction of a day. The ToolKit routine `PGS_TD_SCtime_to_UTC` converts Spacecraft time to UTC time. A second ToolKit routine, `PGS_TD_UTCtoUTCjd`, converts the ASCII string into two 64-bit real numbers. (day) {N/A} {[Section 5.2.2 BDS SDS Summary](#)}

**SCI-24 Longitude of CERES FOV at Surface**

This parameter is the longitude angle  $\Phi$  (See [Figure 0-2](#)) of the Earth point (See [Term-5](#)).  
(deg) [0 .. 360] {[Section 5.2.2 BDS SDS Summary](#)}

The longitude is the angle in the Earth equator plane from the Greenwich meridian (See [Term-3](#)) to the Earth point meridian, rotating East. The geocentric longitude and geodetic longitude are the same.

**SCI-25 Longitude of CERES FOV at TOA**

This parameter is the longitude angle  $\Phi$  (See [Figure 4-5](#)) of the TOA point (See [Term-15](#)).  
(deg) [0 .. 360] {[Section 5.2.2 BDS SDS Summary](#)}

The longitude is the angle in the Earth equator plane from the Greenwich meridian (See [Term-3](#)) to the TOA point meridian, rotating East. The geocentric longitude and geodetic longitude are the same.

**SCI-26 Longitude of Subsatellite Point at Surface at record end**

This parameter is the longitude angle  $\Phi$  (See [Figure 4-5](#)) of the subsatellite point (See [Term-12](#)). The end of the record is 6.59 sec after the start of the record.  
(deg) [0 .. 360] {[Section 5.2.3.6 Satellite - Celestial Data](#)}

The longitude is the angle in the Earth equator plane from the Greenwich meridian (See [Term-3](#)) to the Earth point meridian, rotating East. The geocentric longitude and geodetic longitude are the same.

**SCI-27 Longitude of Subsatellite Point at Surface at record start**

See [SCI-26: Longitude of Subsatellite Point at Surface at record end](#)

**SCI-28 Longitude of Subsolar Point at Surface**

This parameter is the longitude angle  $\Phi$  (See [Figure 4-5](#)) of the geodetic subsolar point (See [Term-9](#)) on the Earth surface (See [Term-4](#)).  
(deg) [0 .. 360] {[Section 5.2.3.6 Satellite - Celestial Data](#)}

The longitude is the angle in the Earth equator plane from the Greenwich meridian (See [Term-3](#)) to the geodetic subsolar point meridian, rotating East. The geocentric longitude and geodetic longitude are the same.

**SCI-29 Radiance and Mode Flags**

This parameter contains the science measurement level quality flags. It is a 32-bit word where a single bit corresponds to a particular quality assessment flag. Every measurement contained in the [BDS](#) has an associated flag. The word bit ordering is shown in [Figure 4-8](#), where bit zero identifies the least significant bit. The individual flags are defined in [Table 4-5](#) followed by their descriptions. Currently, this flag is also included in the [IES](#), [SSF](#), and [CRS](#) products.  
(none) [N/A] {[Section 5.2.2 BDS SDS Summary](#)}

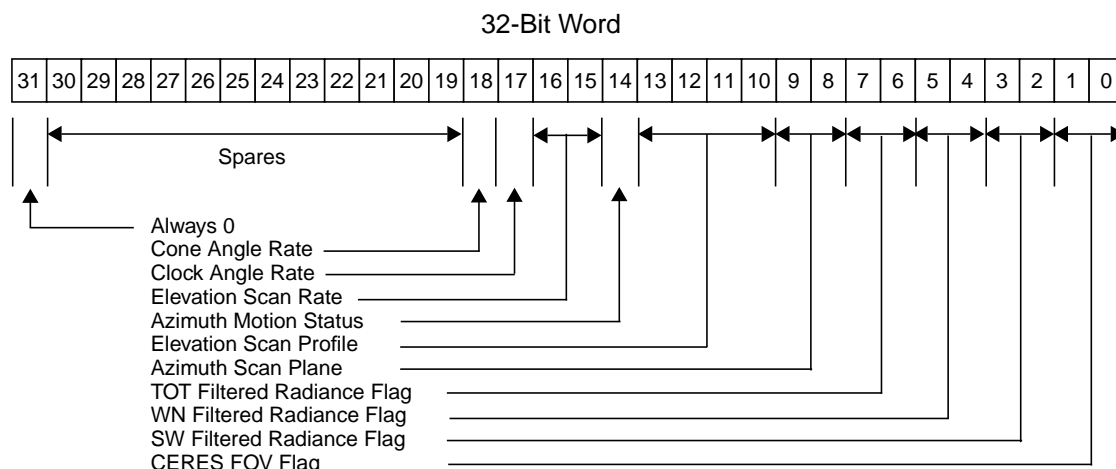


Figure 4-8. Radiance and Mode Flags

Table 4-5. Radiance and Mode Quality Flags Definition

Link	Bits	Flag Parameter	Link	Bits	Flag Parameter
QA-1	0 .. 1	CERES FOV Flag	QA-5	14	Azimuth Motion Status
QA-2	2 .. 3	SW Filtered Radiance Flag	QA-6	15 .. 16	Elevation Scan Rate
QA-2	4 .. 5	WN Filtered Radiance Flag	QA-7	17	Clock Angle Rate
QA-2	6 .. 7	TOT Filtered Radiance Flag	QA-7	18	Cone Angle Rate
QA-3	8 .. 9	Azimuth Scan Plane		19 .. 30	Spares. Available for future use. Set to zero
QA-4	10 .. 13	Elevation Scan Profile		31	N/A; Set to zero

**QA-1 CERES FOV Flag:**

This flag is set for each CERES science measurement and is used to identify where the CERES footprint is viewing. The footprint FOV (See [Term-6](#)) used by the geolocation calculations is based on the centroid of the detector point-spread-function, not on the optical line-of-sight. (See [Reference 3](#) or [Term-1](#)). FOV calculations use the Earth surface model (WGS-84) and the CERES TOA model (30km above the WGS-84 model) provided by the ECS ToolKit.

- 00 = Full\_Earth\_Viewing set if
  - The FOV PSF centroid pierces both the Earth surface and the TOA surface, and
  - The footprint viewing area is determined to be completely on the Earth surface.
- 01 = Partial\_Earth set if
  - The FOV PSF centroid pierces both the Earth and TOA surface, and
  - The FOV footprint area includes part of the Earth’s surface (i.e., straddling the Earth limb).
- 10 = Hit\_TOA\_Missed\_Earth set if
  - The FOV PSF centroid pierces TOA surface, but not the Earth’s surface, and
  - The FOV footprint area may include part of the Earth’s surface (i.e., straddling the Earth limb).
- 11 = Missed TOA and Earth set if
  - The FOV PSF centroid for this measurement does not pierce either the Earth’s surface or the TOA surface (e.g., the FOV is looking at a cold space above the TOA). Though the centroid does not pierce the TOA surface, the FOV footprint area may partially overlap this surface.

**QA-2 SW/WN/TOT Filtered Radiance Flags:**

These status flags are set for each CERES science measurement. Additional flags in the Ancillary QA Flags Set 1 (See [SCI-1](#)) provide specific information on the relevant instrument parameters.

00 = Good: All of the following conditions are met:

- All values of instrument parameters, which are used for count conversion (bias voltage, detector voltages, heatsink temperatures), passed edit limit and rate limit checks, and the overall state of the instrument is nominal for making radiometric measurements. The spaceclamp value has been computed, and passed edit and rate limit checks (See [Section 6.3.1](#)).
- The instrument spurious slow mode has been corrected (See [Section 6.3.2](#))
- None of the detectors were saturated at the time the measurements were taken.
- Final radiance values passed edit checks (See [Section 6.3.4](#)).
- There were no computational or numerical errors resulting from the count conversion process.

10 = Bad: Failed one or more of the above conditions. The CERES default fill value is output instead of the actual computed radiance value (See [Table 4-14](#)).

01, 11 = Reserved - Not used.

**QA-3 Azimuth Scan Plane:**

This flag is derived from scan level information and is used to define the azimuth gimbal scan plane for each measurement (See [INS-19](#)). Individual bit patterns are defined as follows:

00 = Crosstrack set if

- This flag is set when the azimuth gimbal is in a fixed position with the elevation scanning plane within 45 degrees of the normal to the spacecraft velocity vector. Typically, this means the gimbal is at the 180 (or 0) degree azimuth position as defined by the instrument coordinate system. This azimuth position allows the elevation scan to sweep across the ground track in a side-to-side motion. This scan plane flag is a special case of the [FAPS](#).

01 = [RAPS](#) (Biaxial) set if

- This flag is set when the azimuth gimbal is rotating between two defined azimuth end points for the measurement.

10 = [FAPS](#) set if

- This flag is set when the azimuth gimbal is in a fixed position at any position other than crosstrack for the measurement. For example, the instrument may be in the along-track scan plane where the elevation scan plane is oriented parallel to the spacecraft velocity vector (e.g., the azimuth position = 90 or 270 degrees).

11 = Transitional set if

- Defined as anything not covered above. Typically, this flag is set when the instrument is changing between the crosstrack and biaxial modes while the elevation gimbal is stowed.

**QA-4 Elevation Scan Profile:**

This flag is derived from scan level information that is duplicated for each measurement within the entire packet. Individual bit patterns are defined as follows:

0000 = Normal-Earth Scan (See [Table 4-8](#))

0001 = Short-Earth Scan (See [Table 4-9](#))

0010 = MAM Scan (See [Table 4-10](#))

0011 = Nadir Scan (See [Table 4-11](#))

0100 = Stowed Profile (See [Table 4-12](#))

0101 = Other Profile (Anything not classified above.)

**QA-5 Azimuth Motion Status:**

This flag is derived from scan level information that is duplicated for each measurement. Individual bit patterns are defined as follows:

0 = Fixed: The azimuth gimbal is stopped at a fixed position for the entire packet.

1 = In Motion: The azimuth gimbal is moving during all or part of the packet. Motions can include biaxial scans or transitions between azimuth modes.

**QA-6 Elevation Scan Rate:**

This flag is used to identify the elevation gimbal scan rate for the current measurement. The scan rate is derived by taking the absolute value of the elevation gimbal position difference in degrees between the current and previous measurements, and dividing by the sample time interval (0.01 seconds) to obtain a two point instantaneous scan rate (See [INS-20](#)). The scan rate for the current sample is then categorized according to the following flag definitions.

00 = Nominal:

- The elevation gimbal for this measurement is moving at a nominal rate of  $63.14 \pm 2.5$  deg/sec.

01 = Fast:

- The elevation gimbal is moving faster than  $63.14 + 2.5$  deg/sec for this measurement. Typically, this condition occurs when the gimbal is in the fast retrace portion of the short-earth scan profile or when slewing to the internal calibration position. (Retrace rate is currently defined as  $249.69 \pm 10$  deg/sec.) However, during scan inflection points (when the gimbal changes motion speed or direction) normal servomechanical ringing can occur which could indicate fast rates while the gimbal settles out (which can take up to ten samples).

10 = Slow/Stopped:

- The elevation gimbal is not moving or is moving at a slow rate (i.e.,  $< 63.14 - 2.5$  deg/sec) for this measurement. Slow rates are usually identified when the gimbal is ramping up to speed from a stopped position (e.g., from spacelook position). Due to the backward two point scan rate algorithm, the first sample in a scan will be set to stopped since there are no profiles that have the elevation moving at the very beginning of a scan.

11 = Other:

- The elevation gimbal scan rate could not be classified into one of the above categories for this measurement. This would be typical of measurements during gimbal transitions between stop and go conditions.)

**QA-7 Clock Angle Rate/Cone Angle Rate:**

These flags are used to indicate whether an angular rate could be computed from valid angles. No edit checks are performed. (See [SCI-30](#) and [SCI-31](#))

0 = Good: The angular rate for this measurement is computed from valid angles for current and previous measurements.

1 = Bad: The angular rate for this measurement could not be computed. Consequently, the CERES default fill value is output to the [BDS](#) rate field.

**SCI-30 Rate of Change of Clock Angle**

This parameter is the angular velocity of the clock angle (See [SCI-12](#)).

(deg sec<sup>-1</sup>) [-10 .. 10] {[Section 5.2.2 BDS SDS Summary](#)}

The nominal [RAPS](#) configuration begins with the azimuth scan plane in the along-track orientation and rotates through 180° of clock angle until the scan plane is again in the along-track orientation. The process is then reversed. However, when the Sun is close to the orbital plane (low beta angles), the RAPS configuration begins with the scan plane rotated 20° (TRMM) or 7° (Terra/Aqua) from the along-track orientation and rotates through 140° (TRMM) or 166° (Terra/Aqua) of clock angle until the scan plane is again 20° (TRMM) or 7° (Terra/Aqua) from the along-track orientation. This process is then reversed. The clock rate is not measured, but is approximated with two consecutive clock angle positions.

The magnitude value of the clock rate is nominally  $6.042 \pm 1.098$  deg/sec. The clock rate is negative when the azimuth angle is decreasing, positive when the azimuth angle is increasing, and zero when the clock angle is constant. However, when the azimuth changes direction, the



magnitude of the clock rate will approach 0 deg/sec and then increase to almost 14 deg/sec before settling back to the nominal magnitude. When the instrument is operating in the **FAPS** mode, the clock rate is set to zero.

### **SCI-31 Rate of Change of Cone Angle**

This parameter is the angular velocity of the cone angle (See [SCI-18](#)).  
(deg sec<sup>-1</sup>) [-100 .. 100] {[Section 5.2.2 BDS SDS Summary](#)}

The cone rate is negative when scanning toward nadir, positive when scanning away from nadir, and zero when the cone angle is constant. The cone rate is not measured, but is approximated with two consecutive cone angle positions. The nominal cone rate is approximately  $\pm 63$  deg/sec.

### **SCI-32 Satellite Position at record end**

### **SCI-33 Satellite Position at record start**

These parameters indicate the X, Y, and Z components of the satellite inertial position at the satellite nadir point corresponding to the first or last measurement in the packet.  
(km) [-8000 ..8000] {[Section 5.2.3.6 Satellite - Celestial Data](#)}

The positions are referenced to the Earth-Centered Rotating (**ECR**) coordinate system. The ToolKit routine, PGS\_EPH\_EphemAttit, computes the satellite position vector in Earth-Centered Inertial (ECI) coordinates. A second ToolKit routine, PGS\_CSC\_ECIttoECR, transforms the position vector to the ECR or Earth equator, Greenwich meridian rectangular coordinate system (See [Term-3](#)). Meters are then converted to kilometers.

### **SCI-34 Satellite Velocity at record end**

### **SCI-35 Satellite Velocity at record start**

These parameters indicate the X, Y, and Z components of the satellite inertial velocity at the satellite nadir point corresponding to the first or last measurement in the packet.  
(km sec<sup>-1</sup>) [-10 ..10] {[Section 5.2.3.6 Satellite - Celestial Data](#)}

The positions are referenced to the Earth-Centered Rotating (**ECR**) coordinate system. The ToolKit routine, PGS\_EPH\_EphemAttit, computes the satellite velocity vector in Earth-Centered Inertial (ECI) coordinates. A second ToolKit routine, PGS\_CSC\_ECIttoECR, transforms the velocity vector to the ECR or Earth equator, Greenwich meridian rectangular coordinate system (See [Term-3](#)). Meters/second are then converted to kilometers/second.

### **SCI-36 SW Channel Spurious Slow Mode Constants**

### **SCI-37 TOT Channel Spurious Slow Mode Constants**

### **SCI-38 WN Channel Spurious Slow Mode Constants**

These constants,  $\lambda$  and  $c$ , are used in the radiometric count conversion calculation to correct the spurious slow mode effect for each detector channel. See [Section 6.3.2](#) for additional information. ( $\lambda$ : sec<sup>-1</sup>;  $c$ : none) [N/A] {[Section 5.2.3.4 Count Conversion Constants](#)}.

**SCI-39 SW Channel Gain Constants****SCI-40 TOT Channel Gain Constants****SCI-41 WN Channel Gain Constants**

Constants, represented as AV, AVA, AHA, AD, AB, and C, are used to determine the radiometric count conversion gain coefficients for each detector channel. Refer to ([Reference 3](#) for additional information. (AHA:  $\text{count}^2 (\text{K volt})^{-1}$ ; others:  $\text{count volt}^{-1}$ ) [N/A] {[Section 5.2.3.4 Count Conversion Constants](#)}

**SCI-42 SW Radiance Edit Limits****SCI-43 TOT Radiance Edit Limits****SCI-44 WN Radiance Edit Limits**

These values represent the minimum and maximum allowable radiance values for each detector channel. ( $\text{Wm}^{-2} \text{sr}^{-1}$ ) [N/A] {[Section 5.2.3.4 Count Conversion Constants](#)}

**SCI-45 SW Spaceclamp Values****SCI-46 TOT Spaceclamp Values****SCI-47 WN Spaceclamp Values**

These parameters contain averaged spacelook values for each detector channel. These spacelook averages are required for the radiometric count conversion of individual detector measurements. Refer to [Section 6.3.1](#) for a more detailed explanation of spacelook averages and the spaceclamp algorithm. Each of these spaceclamp parameters are written to the output product as a [HDF SDS](#) structure. Each structure is organized as a  $n \times 2$  matrix of 32-bit floating point numbers, where  $n$  = number of packets processed in the [BDS](#), nominally = 13091. For a given packet or row index in each SDS, column 1 contains the spacelook average for that packet and column 2 contains the spacelook average for the next or subsequent packet. (See [Figure 4-9](#)).

	Column 1	Column 2
Packet n	$\overline{SL1}_n$	$\overline{SL2}_n$
Packet n + 1	$\overline{SL1}_{n+1}$	$\overline{SL2}_{n+1}$
Packet n + 2	$\overline{SL1}_{n+2}$	$\overline{SL2}_{n+2}$

Figure 4-9. Spacelook Average SDS Format

Under nominal conditions,  $\overline{SL2}_n = \overline{SL1}_{n+1}$ . In cases where a spacelook average could not be calculated, the [CERES](#) default fill value will be used. Additional information about the spacelook averages can be found in the ancillary QA flags set 2 (See [SCI-2](#)).

(count) [N/A] {[Section 5.2.3.4 Count Conversion Constants](#)}

### 4.3.2.2 Instrument Parameter Descriptions

Instrument parameter value ranges or default values referenced throughout this document are typically based on the actual on-board instrument flight software. However, values may differ between this document and referenced documents. Future updates to this document will attempt to capture the as-flown instrument values. Many of the descriptions in this section will apply to both raw and converted values. Therefore, the units, ranges, and structure hyperlink reference sections are given for both values and ordered by raw followed by the converted entries. An alphabetical listing of the instrument parameters is shown in [Table 1-3](#).

#### INS-1 ACA Electronics Temperature

This parameter measures the temperature of the azimuth control assembly electronics. The converted value is computed using DRL-64 Algorithm 3.C. For the exact location of this sensor, see DRL-64 ([Reference 2](#)). (Count, °C) [0 .. 4095, -30 .. 70] {[Section 5.2.3.7 Temperature Counts](#), [Section 5.2.3.2 Converted Temperatures](#)}

#### INS-2 ACA Torque Output

This parameter measures the azimuth gimbal torque that is converted to a servo controller signal. The converted values are computed using DRL-64 ([Reference 2](#)) Linear Coefficients Algorithm 4I listed in [Table 8-5](#). (Count, in-oz) [0 .. 4095, -20 .. 20] {[Section 5.2.3.8 Voltage - Torque Counts](#), [Section 5.2.3.3 Converted Voltages and Torques](#)}

#### INS-3 Azimuth Defined Asynchronous Scan Rate

This parameter indicates the azimuth gimbal asynchronous slew rate for the nominal Biaxial science mode. An Asynchronous slew is defined as scanning between two defined azimuth positions with no time synchronization to the scan boundaries. (Refer to [Figure 4-10](#) for example slewing pattern.) The default value is approximately 5 degrees/second for PFM, FM1, and FM2, but is expected to be changed with the Set\_Azimuth\_Rate\_Async\_Rate command is set to 6 degrees/second immediately following any instrument power-ups or resets. For FM3 and FM4, the default rate is already set to approximately 6 degrees/second. The converted value is computed using DRL-64 ([Reference 2](#)) Algorithm 7.

(deg sec<sup>-1</sup>) [4 .. 6] {[Section 5.2.3.1 Converted Instrument Status Data](#)}

#### INS-4 Azimuth Defined Crosstrack Position

This parameter indicates the azimuth gimbal fixed position setpoint. Its default value corresponds to 180 degrees. The converted value is computed using DRL-64 ([Reference 2](#)) Algorithm Linear Coefficients 4K listed in [Table 8-5](#). (For FM1/2, see also bias correction note.) This default value can be changed with the Set\_Azimuth\_Fixed\_Crosstrack command. (deg) [0 .. 360] {[Section 5.2.3.1 Converted Instrument Status Data](#)}

#### INS-5 Azimuth Defined Fixed Cage Position

This parameter indicates the azimuth gimbal fixed position setpoint. Its default value corresponds to 0.1 degrees. The converted value is computed using DRL-64 ([Reference 2](#)) Algorithm Linear Coefficients 4K listed in [Table 8-5](#). (For FM1/2, see also bias correction note.) The default values can be changed with the Set\_Azimuth\_Fixed\_Caged command.

(deg) [0 .. 360] {[Section 5.2.3.1 Converted Instrument Status Data](#)}

**INS-6 Azimuth Defined Fixed Position A****INS-7 Azimuth Defined Fixed Position B**

These parameters indicate the azimuth gimbal fixed position setpoint that defines the bounds for a rotating azimuth scanning (biaxial) operation. Position A represents the starting point and Position B represents the ending point for a rotating scan. However, during solar avoidance operations involving low solar Beta angles, these values will be changed by the Set\_Azimuth\_Fixed\_Position\_A and the Set\_Azimuth\_Fixed\_Position\_B commands for a solar avoidance scan profile. See [Table 4-6](#) for expected values for each instrument. The converted values are computed using DRL-64 ([Reference 2](#)) Algorithm Linear Coefficients [4K](#) listed in [Table 8-5](#). (For FM1/2, see also bias correction note.)

Table 4-6. Azimuth Default Normal and Solar Avoidance A/B Angles (Deg.)

Instrument	Position Angle A		Position Angle B	
	Normal	Solar Avoidance	Normal	Solar Avoidance
PFM	90	110	270	250
FM1, FM2, FM3, FM4	90	97	270	263

(deg) [0 .. 360] {[Section 5.2.3.1 Converted Instrument Status Data](#)}

**INS-8 Azimuth Defined Fixed Position Spare 1****INS-9 Azimuth Defined Fixed Position Spare 2****INS-10 Azimuth Defined Fixed Position Spare 3**

These parameters indicate the azimuth gimbal fixed position setpoints. The converted values are computed using DRL-64 ([Reference 2](#)) Algorithm Linear Coefficients [4K](#) listed in [Table 8-5](#). (For FM1/2, see also bias correction note.) The fixed position spare 2 value is typically used for contamination safing operations. The default values can be changed with the commands shown below.

- **Fixed Position Spare 1** Default = 45 deg      Set\_Azimuth\_Fixed\_Spare\_1
- **Fixed Position Spare 2** Default = 165 deg      Set\_Azimuth\_Fixed\_Spare\_2
- **Fixed Position Spare 3** Default = 329 deg      Set\_Azimuth\_Fixed\_Spare\_3

(deg) [0 .. 360] {[Section 5.2.3.1 Converted Instrument Status Data](#)}

**INS-11 Azimuth Defined Fixed Solar Calibration Position**

This parameter indicates the azimuth gimbal fixed position setpoint. Its default value corresponds to 105 degrees. This position is used to orient the instrument so that the MAM aperture opening will face the Sun during a solar calibration event. This default value is expected to be changed with the Set\_Azimuth\_Fixed\_Solarcal command to 180 degrees immediately following any instrument power-ups or resets. During normal mission operation solar calibrations, this fixed azimuth position will be changed to point the instrument MAM port in the direction of the solar azimuth position that is derived from orbital planning aids. The converted value is computed using DRL-64 ([Reference 2](#)) Algorithm Linear Coefficients [4K](#) listed in [Table 8-5](#). (For FM1/2, see also bias correction note.) (deg) [0 .. 360] {[Section 5.2.3.1 Converted Instrument Status Data](#)}

**INS-12 Azimuth Defined Normal Slew Rate**

This parameter indicates the azimuth gimbal slewing rate for motions typically involving Goto\_Position\_X operations. Its default value corresponds to approximately 6 degrees/second. The converted value is computed using DRL-64 (Reference 2) Algorithm 7. This default value can be changed with the Set\_Azimuth\_Rate\_Goto\_Rate command. (deg sec<sup>-1</sup>) [4 .. 6] {Section 5.2.3.1 Converted Instrument Status Data}

**INS-13 Azimuth Defined Synchronous Scan Rate**

This parameter indicates the azimuth gimbal synchronously slew rate for an optional Biaxial science mode. A Synchronous slew is defined as scanning between two points where upon reaching an end point, the azimuth will hold that position until the beginning of the next scan start. (Refer to Figure 4-10 for example slewing pattern.) Its default value corresponds to approximately 4 degrees/second. The converted value is computed using DRL-64 (Reference 2) Algorithm 7. This default value can be changed with the Set\_Azimuth\_Rate\_Sync\_Rate command. (deg sec<sup>-1</sup>) [4 .. 6] {Section 5.2.3.1 Converted Instrument Status Data}

**INS-14 Azimuth Error**

This parameter measures converted azimuth gimbal error position values that are measured for each sample 0 .. 659. These data are output to a BDSG product when the instrument is in the diagnostic gimbal error configuration. The converted value is computed using DRL-64 (Reference 2) Algorithm Linear Coefficients 4K listed in Table 8-5. (deg) [0 .. 360] {Section 5.2.2 BDS SDS Summary}

**INS-15 Azimuth Lower Bearing Temperature**

This parameter measures the temperature of the lower azimuth gimbal bearing assembly, used to monitor friction buildup. The converted value is computed using DRL-64 Algorithm 3.C. For the exact location of this sensor, see DRL-64 (Reference 2). (Count, °C) [0 .. 4095, -30 .. 70] {Section 5.2.3.7 Temperature Counts, Section 5.2.3.2 Converted Temperatures}

**INS-16 Azimuth Offset Correction**

This parameter indicates an internal count adjustment to compensate for the encoder position to actual gimbal position misalignment. The converted value is computed using DRL-64 (Reference 2) Algorithm Linear Coefficients 4K listed in Table 8-5. This value will reflect the internal default value or the last update by the Set\_Azimuth\_Offset\_Correction command. This value needs to be treated as a signed integer data representation. The nominal unsigned and signed integer values are shown in Table 4-7 below. (deg) [0 .. 360] {Section 5.2.3.1 Converted Instrument Status Data}

Table 4-7. Azimuth Offset Correction Nominal Values (counts)

TRMM	Terra		Aqua	
PFM	FM1	FM2	FM3	FM4
65394 (-141)	162	137	N/A	65282 (-253)

### INS-17 Azimuth Position Error

This parameter indicates the gimballed controller error (commanded versus actual difference) corresponding to sample 351 (out of 0 .. 659). This value is also copied to the operational housekeeping packet. When the azimuth brake is applied, the azimuth gimbal will physically move approximately 0.5 degrees, which will be reflected in this error value. This value needs to be treated as a signed integer data representation.

(deg) [0 .. 360] { [Section 5.2.3.1 Converted Instrument Status Data](#) }

### INS-18 Azimuth Upper Bearing Temperature

This parameter measures the temperature for the upper azimuth gimbal bearing assembly used to monitor friction buildup. The converted value is computed using DRL-64 Algorithm 3.C. For the exact location of this sensor, see DRL-64 ([Reference 2](#)). (Count, °C) [0 .. 4095, -30 .. 70] { [Section 5.2.3.7 Temperature Counts](#), [Section 5.2.3.2 Converted Temperatures](#) }

### INS-19 Converted Azimuth Angles

This parameter indicates the converted azimuth gimbal position. [Figure 4-10](#) illustrates the synchronous and asynchronous profiles. The converted values are computed using DRL-64 ([Reference 2](#)) Linear Coefficients Algorithm 4K listed in [Table 8-5](#). (For FM1/2, see also bias correction note.)

(deg) [0 .. 360] { [Section 5.2.3.1 Converted Instrument Status Data](#) }

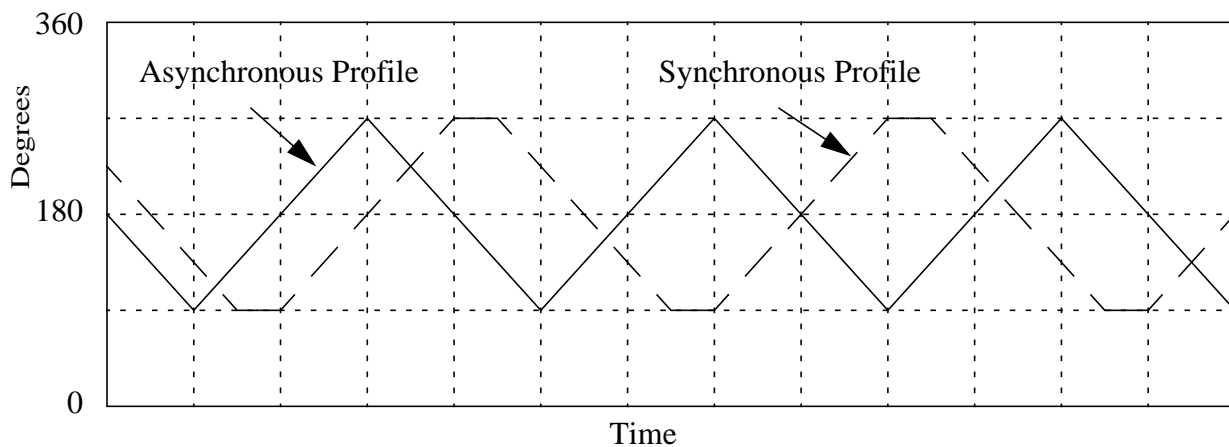


Figure 4-10. Azimuth Scan Profiles

### INS-20 Converted Elevation Angles

This parameter indicates the converted elevation gimbal positions.

(deg) [0 .. 260] { [Section 5.2.3.1 Converted Instrument Status Data](#) }

See [Figure 4-11](#) for a sketch of the nominal science related [CERES](#) scan elevation profiles and [Table 4-8](#), [Table 4-9](#), [Table 4-10](#), [Table 4-10](#), [Table 4-11](#), and [Table 4-12](#) that details these profiles. The tables identify the type of scan profile (e.g., normal-earth scan) along with the corresponding sample numbers and angular position ranges. Note that an alternate MAM scan profile is being adopted that only does a single MAM stare and a single ICS stare per scan.

The converted values are computed using DRL-64 (Reference 2) Linear Coefficients Algorithm 4K listed in Table 8-5. No adjustment for PSF lag or any other instrument or science factors have been made to these values. See Section 6.3.3 for a discussion on the PSF lag algorithm.

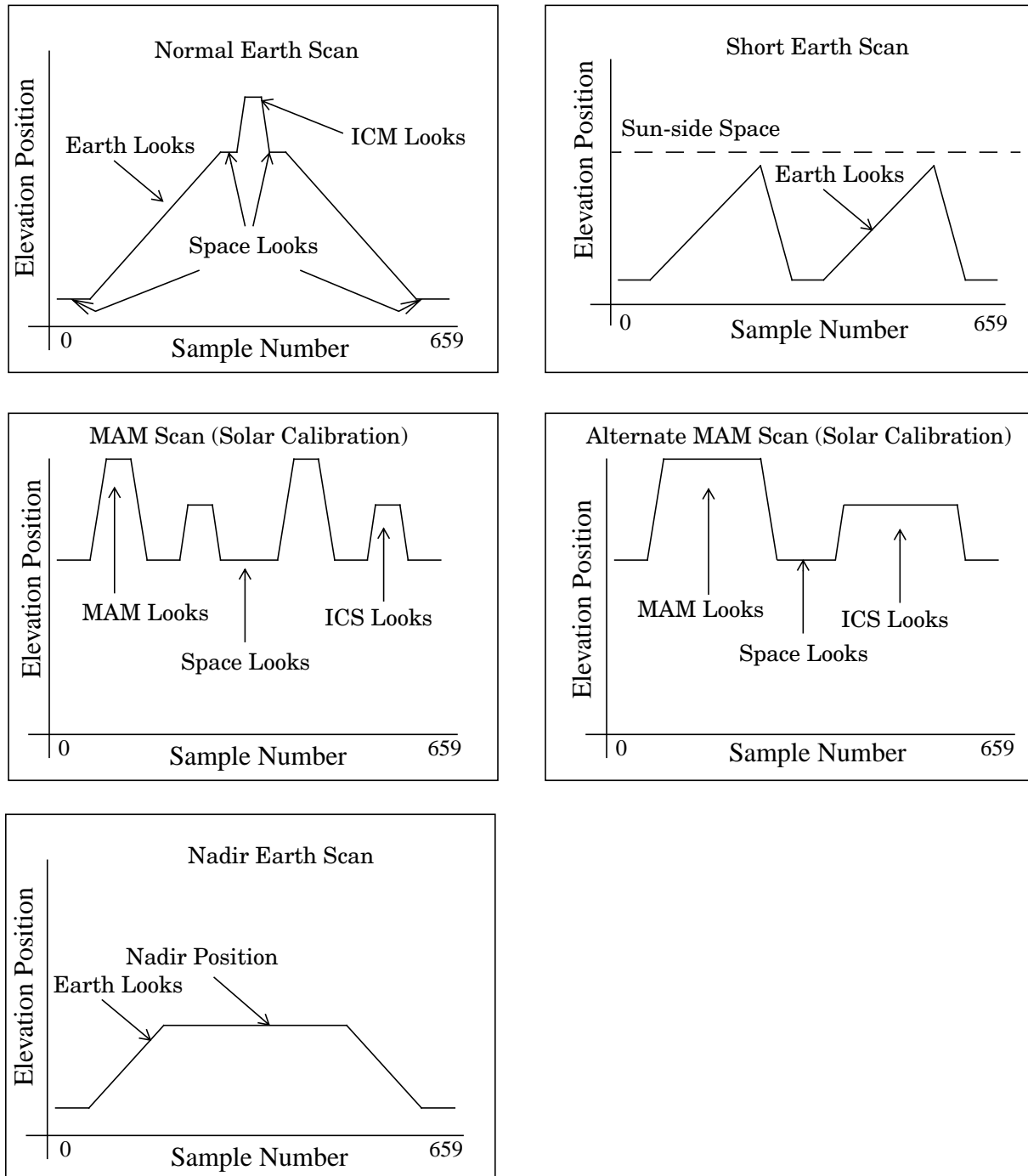


Figure 4-11. Elevation Scan Profiles

The following tables show the sample numbers and the elevation angular position ranges for the different **FOV** looks for the five commonly used scan profiles. There is no diagram for the stowed elevation profile as there is only one elevation angle (260°) for the entire profile (See [Table 4-12](#)).

Table 4-8. Normal Earth Scan Elevation Profile

FOV Look	TRMM		Terra/Aqua	
	Sample #	Angle (Deg.)	Sample #	Angle (Deg.)
Space look	0 .. 39	11	0 .. 36	18
Earth scan	40 .. 290	11 .. 169	37 .. 293	18 .. 162
Space look	291 .. 311	169	294 .. 312	162
Housing look	312 .. 319	169 .. 194	313 .. 319	162 .. 194
Internal Cal	320 .. 340	194	320 .. 340	194
Housing look	341 .. 348	194 .. 169	341 .. 347	194 .. 162
Space look	349 .. 369	169	348 .. 366	162
Earth scan	370 .. 620	169 .. 11	367 .. 623	162 .. 18
Space look	621 .. 659	11	624 .. 659	18

Table 4-9. Short Earth Scan Elevation Profile

FOV Look	TRMM		Terra/Aqua	
	Sample #	Angle (Deg.)	Sample #	Angle (Deg.)
Space look	0 .. 39	11	0 .. 36	18
Earth scan	40 .. 252	11 .. 145	37 .. 252	18 .. 145
Fast retrace	253 .. 307	145 .. 11	253 .. 309	145 .. 18
Space look	308 .. 352	11	310 .. 349	18
Earth scan	353 .. 566	11 .. 145	350 .. 566	18 .. 145
Fast retrace	567 .. 620	145 .. 11	567 .. 622	145 .. 18
Space look	621 .. 659	11	623 .. 659	18

Table 4-10a. MAM Scan (Solar Calibration) Elevation Profile (1 of 2)

FOV Look	TRMM		Terra/Aqua	
	Sample #	Angle (Deg.)	Sample #	Angle (Deg.)
Space look	0 .. 52	169	0 .. 54	162
Housing look	53 .. 78	169 .. 236	55 .. 78	162 .. 236



Table 4-10a. MAM Scan (Solar Calibration) Elevation Profile (2 of 2)

FOV Look	TRMM		Terra/Aqua	
	Sample #	Angle (Deg.)	Sample #	Angle (Deg.)
MAM	79 .. 130	236	79 .. 130	236
Housing look	131 .. 156	236 .. 169	131 .. 154	236 .. 162
Space look	157 .. 209	169	155 .. 211	162
Housing look	210 .. 217	169 .. 194	212 .. 217	162 .. 194
Internal Cal	218 .. 269	194	218 .. 269	194
Housing look	270 .. 277	194 .. 169	270 .. 275	194 .. 162
Space look	278 .. 382	169	276 .. 384	162
Housing look	383 .. 408	169 .. 236	385 .. 408	162 .. 236
MAM	409 .. 469	236	409 .. 460	236
Housing look	470 .. 486	236 .. 169	461 .. 484	236 .. 162
Space look	487 .. 539	169	485 .. 541	162
Housing look	540 .. 547	169 .. 194	542 .. 547	162 .. 194
Internal Cal	548 .. 599	194	548 .. 599	194
Housing look	600 .. 607	194 .. 169	600 .. 605	194 .. 162
Space look	608 .. 659	169	606 .. 659	162

Table 4-10b. Alternate MAM Scan (Solar Calibration) Elevation Profile

FOV Look	TRMM		Terra/Aqua	
	Sample #	Angle (Deg.)	Sample #	Angle (Deg.)
Space look	0 .. 49	169	0 .. 49	162
Housing look	50 .. 76	169 .. 236	50 .. 79	162 .. 236
MAM	77 .. 275	236	80 .. 275	236
Housing look	276 .. 302	236 .. 169	276 .. 305	236 .. 162
Space look	303 .. 355	169	306 .. 355	162
Housing look	356 .. 365	169 .. 194	356 .. 368	162 .. 194
Internal Cal	366 .. 597	194	369 .. 597	194
Housing look	598 .. 607	194 .. 169	598 .. 610	194 .. 162
Space look	608 .. 659	169	611 .. 659	162

Table 4-11. Nadir Earth Scan Elevation Profile

FOV Look	TRMM		Terra/Aqua	
	Sample #	Angle (Deg.)	Sample #	Angle (Deg.)
Space look	0 .. 39	11	0 .. 36	18
Earth scan	40 .. 164	11 .. 90	37 .. 164	18 .. 90
Nadir stare	165 .. 494	90	165 .. 494	90
Earth scan	495 .. 620	90 .. 11	495 .. 623	90 .. 18
Space look	621 .. 659	11	624 .. 659	18

Table 4-12. Stowed Elevation Profile

FOV Look	TRMM		Terra/Aqua	
	Sample #	Angle (Deg.)	Sample #	Angle (Deg.)
Housing look	0 .. 659	260	0 .. 659	260

**INS-21 DAA +10V Reference**

This parameter measures the voltage supplied to the data acquisition assembly analog-to-digital converter electronics. The converted value is computed using DRL-64 ([Reference 2](#)) Linear Coefficients Algorithm 4G listed in [Table 8-5](#). (Count, Volt) [0 .. 4095, 0 .. 16] {[Section 5.2.3.8 Voltage - Torque Counts](#), [Section 5.2.3.3 Converted Voltages and Torques](#)}

**INS-22 DAA +12V**

This parameter measures the voltage supplied to the data acquisition assembly analog electronics. This voltage is typically used for the preamp circuitries. The converted value is computed using DRL-64 ([Reference 2](#)) Linear Coefficients Algorithm 4B listed in [Table 8-5](#). (Count, Volt) [0 .. 4095, 0 .. 20] {[Section 5.2.3.8 Voltage - Torque Counts](#), [Section 5.2.3.3 Converted Voltages and Torques](#)}

**INS-23 DAA +130V**

This parameter measures the voltage input to the power regulators used to generate the detector +120 volt bias parameter. The converted value is computed using DRL-64 ([Reference 2](#)) Linear Coefficients Algorithm 4C listed in [Table 8-5](#). (Count, Volt) [0 .. 4095, 0..245.9] {[Section 5.2.3.8 Voltage - Torque Counts](#), [Section 5.2.3.3 Converted Voltages and Torques](#)}

**INS-24 DAA +15V**

This parameter measures the voltage supplied to the data acquisition assembly electronics. The converted value is computed using DRL-64 ([Reference 2](#)) Linear Coefficients Algorithm 4A listed in [Table 8-5](#). (Count, Volt) [0 .. 4095, 0 .. 20] {[Section 5.2.3.8 Voltage - Torque Counts](#), [Section 5.2.3.3 Converted Voltages and Torques](#)}

**INS-25 DAA +5V**

This parameter measures the voltage supplied to the data acquisition assembly digital electronics. The converted value is computed using DRL-64 ([Reference 2](#)) Linear Coefficients Algorithm [4J](#) listed in [Table 8-5](#). (Count, Volt) [0 .. 4095, 0 ..8] {[Section 5.2.3.8 Voltage - Torque Counts](#), [Section 5.2.3.3 Converted Voltages and Torques](#)}

**INS-26 DAA -10V Reference**

This parameter measures the voltage supplied to the data acquisition assembly analog-to-digital converter electronics. The converted value is computed using DRL-64 ([Reference 2](#)) Linear Coefficients Algorithm [4B](#) listed in [Table 8-5](#). (Count, Volt) [0 .. 4095, -20..4] {[Section 5.2.3.8 Voltage - Torque Counts](#), [Section 5.2.3.3 Converted Voltages and Torques](#)}

**INS-27 DAA -12V**

This parameter measures the voltage supplied to the data acquisition assembly analog electronics. This voltage is typically used for the preamp circuitries. The converted value is computed using DRL-64 ([Reference 2](#)) Linear Coefficients Algorithm [4B](#) listed in [Table 8-5](#). (Count, Volt) [0 .. 4095, -20..4] {[Section 5.2.3.8 Voltage - Torque Counts](#), [Section 5.2.3.3 Converted Voltages and Torques](#)}

**INS-28 DAA -130V**

This parameter measures the voltage input to the power regulators used to generate the detector -120 volt bias parameter. The converted value is computed using DRL-64 ([Reference 2](#)) Linear Coefficients Algorithm [4D](#) listed in [Table 8-5](#). (Count, Volt) [0 .. 4095, -135.8..-119.6] {[Section 5.2.3.8 Voltage - Torque Counts](#), [Section 5.2.3.3 Converted Voltages and Torques](#)}

**INS-29 DAA -15V**

This parameter measures the voltage supplied to the data acquisition assembly electronics. The converted value is computed using DRL-64 ([Reference 2](#)) Linear Coefficients Algorithm [4B](#) listed in [Table 8-5](#). (Count, Volt) [0 .. 4095, -20..4] {[Section 5.2.3.8 Voltage - Torque Counts](#), [Section 5.2.3.3 Converted Voltages and Torques](#)}

**INS-30 DAA ADC Electronics Temperature**

This parameter measures the temperature of the data acquisition assembly analog-to-digital conversion electronics. The converted value is computed using DRL-64 Algorithm [3.C](#). For the exact location of this sensor, see DRL-64 ([Reference 2](#)). (Count, °C) [0 .. 4095, -30 .. 70] {[Section 5.2.3.7 Temperature Counts](#), [Section 5.2.3.2 Converted Temperatures](#)}

**INS-31 DAA Ground Reference 1****INS-32 DAA Ground Reference 2**

These parameters measure the voltage on the digital acquisition assembly's ground plane. Ground loop power spikes (e.g., ~0.3 volts) have been noted and can affect radiometric and instrument measurements by the analog-to-digital converter. The converted value is computed using DRL-64 ([Reference 2](#)) Linear Coefficients Algorithm [4J](#) listed in [Table 8-5](#). (Count, Volt)

[0 .. 4095, 0..10] {[Section 5.2.3.8 Voltage - Torque Counts](#), [Section 5.2.3.3 Converted Voltages and Torques](#)}

### **INS-33 DAA Processor Electronics Temperature**

This parameter measures the temperature of the data acquisition assembly microprocessor electronics. The converted value is computed using DRL-64 Algorithm 3.C. For the exact location of this sensor, see DRL-64 ([Reference 2](#)). (Count, °C) [0 .. 4095, -30 .. 70] {[Section 5.2.3.7 Temperature Counts](#), [Section 5.2.3.2 Converted Temperatures](#)}

### **INS-34 DAA Radiator Temperature**

This parameter measures the temperature of the radiator plate for the data acquisition assembly circuit board. The converted value is computed using DRL-64 Algorithm 3.B. For the exact location of this sensor, see DRL-64 ([Reference 2](#)). (Count, °C) [0 .. 4095, -30 .. 70] {[Section 5.2.3.7 Temperature Counts](#), [Section 5.2.3.2 Converted Temperatures](#)}

### **INS-35 DAP Maximum Execution Time**

### **INS-36 DAP Minimum Execution Time**

### **INS-37 ICP Maximum Execution Time**

### **INS-38 ICP Minimum Execution Time**

These parameters show the shortest/longest execution time among the 660 [DAP/ICP](#) sample periods per packet. These data are written to the BDSP product when the instrument is in the diagnostic processor execution configuration. For the [PFM](#) instrument, the minimum time is expected to be in the range of 2-3 milliseconds and the maximum time is expected to be in the range of 5-6 milliseconds. The converted value is computed using DRL-64 ([Reference 2](#)) Algorithm Linear Coefficients [4N](#) listed in [Table 8-5](#). Note, for the housekeeping data stream, the lower 8 bits, instead of the upper 8 bits are used, resulting in an unusable value for housekeeping monitoring purposes. (milli-sec) [0 .. 10] {[Section 5.2.3.1 Converted Instrument Status Data](#)}

### **INS-39 DAP Timing**

### **INS-40 ICP Timing**

These parameters measures converted [DAP](#) and [ICP](#) execution time millisecond values. (milli-msec) [0 .. 10] {[Section 5.2.2 BDS SDS Summary](#)}

### **INS-41 Detector +120V Bias**

### **INS-42 Detector -120V Bias**

These parameters measure the voltage for the detector bridge balance circuitry. The converted values are computed using DRL-64 ([Reference 2](#)) Linear Coefficients Algorithm [4E](#), and [4F](#) listed in [Table 8-5](#), respectively. (Count, Volt) [0 .. 4095, 115..125, 0 .. 4095, -125..-115] {[Section 5.2.3.8 Voltage - Torque Counts](#), [Section 5.2.3.3 Converted Voltages and Torques](#)}

### **INS-43 ECA Electronics Temperature**

This parameter measures the temperature of the elevation control assembly electronics. The converted value is computed using DRL-64 Algorithm 3.C. For the exact location of this sensor,

see DRL-64 ([Reference 2](#)). (Count, °C) [0 .. 4095, -30 .. 70] {[Section 5.2.3.7 Temperature Counts](#), [Section 5.2.3.2 Converted Temperatures](#)}

#### **INS-44 ECA Radiator Temperature**

This parameter measures the temperature of the radiator plate for the elevation control assembly circuit board. The converted value is computed using DRL-64 Algorithm 3.C. For the exact location of this sensor, see DRL-64 ([Reference 2](#)). (Count, °C) [0 .. 4095, -30 .. 70] {[Section 5.2.3.7 Temperature Counts](#), [Section 5.2.3.2 Converted Temperatures](#)}

#### **INS-45 ECA Torque Output**

This parameter measures the elevation gimbal torque converted to a servo controller signal. The converted value is computed using DRL-64 ([Reference 2](#)) Linear Coefficients Algorithm 4H listed in [Table 8-5](#). (Count, deg) [0 .. 4095, -95.7..95.2] {[Section 5.2.3.8 Voltage - Torque Counts](#), [Section 5.2.3.3 Converted Voltages and Torques](#)}

#### **INS-46 ICA Radiator Temperature**

This parameter measures the temperature of the radiator for the instrument controller assembly circuit board. The converted value is computed using DRL-64 Algorithm 3.C. For the exact location of this sensor, see DRL-64 ([Reference 2](#)). (Count, °C) [0 .. 4095, -30 .. 70] {[Section 5.2.3.7 Temperature Counts](#), [Section 5.2.3.2 Converted Temperatures](#)}

#### **INS-47 Elevation Bearing Temperature-CW**

#### **INS-48 Elevation Bearing Temperature-Motor**

These parameters measure the temperatures on the elevation gimbal bearing spindle (motor side and cable wrap side). The converted values are computed using DRL-64 Algorithm 3.C. For the exact location of these sensors, see DRL-64 ([Reference 2](#)). (Count, °C) [0 .. 4095, -30 .. 70] {[Section 5.2.3.7 Temperature Counts](#), [Section 5.2.3.2 Converted Temperatures](#)}

#### **INS-49 Elevation Error**

This parameter measures converted elevation gimbal error position values that are measured for each sample 0 .. 659. These data are output to a BDSG product when the instrument is in the diagnostic gimbal error configuration. The converted value is computed using DRL-64 ([Reference 2](#)) Algorithm Linear Coefficients 4K listed in [Table 8-5](#). (deg) [0 .. 360] {[Section 5.2.2 BDS SDS Summary](#)}

#### **INS-50 Elevation Offset Correction**

This parameter indicates an internal count adjustment to compensate for the encoder position to actual gimbal position misalignment. This value will reflect the internal default value or the last update by the Set\_Elevation\_Offset\_Correction command. The converted value is computed using DRL-64 ([Reference 2](#)) Algorithm Linear Coefficients 4K listed in [Table 8-5](#). This value needs to be treated as a signed integer data representation. The default nominal unsigned and signed integer offset values for each instrument, as specified in the flight codes, are shown in [Table B-4](#). (deg) [0 .. 360] {[Section 5.2.3.1 Converted Instrument Status Data](#)}

**INS-51 Elevation Spindle Temperature-CW****INS-52 Elevation Spindle Temperature-Motor**

These parameters measure the temperatures on the elevation gimbal spindle (motor side and cable wrap side). The spindle is attached to the mounting plate for the three detector sensor assemblies. The converted values are computed using DRL-64 Algorithm 3.B. For the exact location of these sensors, see DRL-64 (Reference 2). (Count, °C) [0 .. 4095, -30 .. 70] {Section 5.2.3.7 Temperature Counts, Section 5.2.3.2 Converted Temperatures}

**INS-53 ICA +10V Bias**

This parameter measures the voltage used by the instrument controller assembly analog to digital converter as a reference signal. The converted value is computed using DRL-64 (Reference 2) Linear Coefficients Algorithm 4O listed in Table 8-5. (Count, Volt) [0 .. 4095, 0..12] {Section 5.2.3.8 Voltage - Torque Counts, Section 5.2.3.3 Converted Voltages and Torques}

**INS-54 ICA +15V to ECA/ACA**

This parameter measures the voltage supplied to the elevation and azimuth control assembly electronics. This voltage is used for the gimbal drives. The converted value is computed using DRL-64 (Reference 2) Linear Coefficients Algorithm 4A listed in Table 8-5. (Count, Volt) [0 .. 4095, 0..20] {Section 5.2.3.8 Voltage - Torque Counts, Section 5.2.3.3 Converted Voltages and Torques}

**INS-55 ICA + 5V Analog**

This parameter measures the voltage used by the instrument controller assembly analog electronics. These electronics include, for example, the opto-isolator drivers for the ICA/DAA cable wrap. The converted value is computed using DRL-64 (Reference 2) Linear Coefficients Algorithm 4J listed in Table 8-5. (Count, Volt) [0 .. 4095, 0..8] {Section 5.2.3.8 Voltage - Torque Counts, Section 5.2.3.3 Converted Voltages and Torques}

**INS-56 ICA +5V Digital**

This parameter measures the voltage supplied to the instrument controller assembly electronics. The converted value is computed using DRL-64 (Reference 2) Linear Coefficients Algorithm listed 4J in Table 8-5. (Count, Volt) [0 .. 4095, 0..10] {Section 5.2.3.8 Voltage - Torque Counts, Section 5.2.3.3 Converted Voltages and Torques}

**INS-57 ICA -15V Internal**

This parameter measures the voltage used by the instrument controller assembly. The converted value is computed using DRL-64 (Reference 2) Linear Coefficients Algorithm 4B listed in Table 8-5. (Count, Volt) [0 .. 4095, -20..4] {Section 5.2.3.8 Voltage - Torque Counts, Section 5.2.3.3 Converted Voltages and Torques}

**INS-58 ICA +15V Internal**

This parameter measures the voltage supplied to the data acquisition assemblies analog electronics. This voltage is typically used for the preamp circuitries. The converted value is computed using DRL-64 (Reference 2) Linear Coefficients Algorithm 4A listed in Table 8-5.

(Count, Volt) [0 .. 4095, 0..20] {[Section 5.2.3.8 Voltage - Torque Counts](#), [Section 5.2.3.3 Converted Voltages and Torques](#)}

#### **INS-59 ICA -15V to ECA/ACA**

This parameter measures the voltage supplied to the elevation and azimuth control assembly electronics. This voltage is used for the gimbal drives. The converted value is computed using DRL-64 ([Reference 2](#)) Linear Coefficients Algorithm 4B listed in [Table 8-5](#). (Count, Volt) [0 .. 4095, -20..4] {[Section 5.2.3.8 Voltage - Torque Counts](#), [Section 5.2.3.3 Converted Voltages and Torques](#)}

#### **INS-60 ICA ADC Electronics Temperature**

This parameter measures the temperature of the instrument controller assembly analog-to-digital conversion electronics. The converted value is computed using DRL-64 Algorithm 3.C. For the exact location of this sensor, see DRL-64 ([Reference 2](#)). (Count, °C) [0 .. 4095, -30 .. 70] {[Section 5.2.3.7 Temperature Counts](#), [Section 5.2.3.2 Converted Temperatures](#)}

#### **INS-61 ICA Processor Electronics Temperature**

This parameter measures the temperature of the instrument controller assembly microprocessor electronics. The converted value is computed using DRL-64 Algorithm 3.C. For the exact location of this sensor, see DRL-64 ([Reference 2](#)). (Count, °C) [0 .. 4095, -30 .. 70] {[Section 5.2.3.7 Temperature Counts](#), [Section 5.2.3.2 Converted Temperatures](#)}

#### **INS-62 ICA Radiator Temperature**

This parameter measures the temperature of the radiator for the instrument controller assembly circuit board. The converted value is computed using DRL-64 Algorithm 3.C. For the exact location of this sensor, see DRL-64 ([Reference 2](#)). (Count, °C) [0 .. 4095, -30 .. 70] {[Section 5.2.3.7 Temperature Counts](#), [Section 5.2.3.2 Converted Temperatures](#)}

#### **INS-63 Instrument ID Number**

This parameter indicates the instrument's model identification reference. The enumerated values are in [Table B-10](#), note 120. (N/A) [0..31] {[Section 5.2.3.1 Converted Instrument Status Data](#)}

#### **INS-64 Main Cover Motor Temperature**

This parameter measures the temperature of the main cover. The converted value is computed using DRL-64 Algorithm 3.C. For the exact location of this sensor, see DRL-64 ([Reference 2](#)). (Count, °C) [0 .. 4095, -30 .. 70] {[Section 5.2.3.7 Temperature Counts](#), [Section 5.2.3.2 Converted Temperatures](#)}

#### **INS-65 MAM Assembly SW Temperature**

#### **INS-66 MAM Assembly Total Temperature**

These parameters measure the temperature of the [SW MAM](#) and the [TOT MAM](#) backing plates. The converted value is computed using DRL-64 Algorithm 3.C. For the exact location of this

sensor, see DRL-64 ([Reference 2](#)). (Count, °C) [0 .. 4095, -30 .. 70] {[Section 5.2.3.7 Temperature Counts](#), [Section 5.2.3.2 Converted Temperatures](#)}

### INS-67 MAM Total Baffle Temperature 1

### INS-68 MAM Total Baffle Temperature 2

These parameters measure the temperatures near the ends of the total channel MAM baffle assembly. The converted values are computed using DRL-64 Algorithm 3.C. For the exact location of these sensors, see DRL-64 ([Reference 2](#)). (Count, °C) [0 .. 4095, -30 .. 70] {[Section 5.2.3.7 Temperature Counts](#), [Section 5.2.3.2 Converted Temperatures](#)}

### INS-69 Packet Counter - Absolute

This parameter is a 16-bit counter that is incremented for every instrument-generated CCSDS packet. The count begins with the first packet generated after power-up or a “reset”. Due to the power-up synchronization process, the first packet will most likely be erroneous. (N/A) [0..65536] {[Section 5.2.3.1 Converted Instrument Status Data](#)}

### INS-70 Packet Counter - Relative

This parameter is a 16-bit counter that is always reset to 1 at the beginning of the day by the data processing system. Any data gaps will create a corresponding data gap in the relative packet counter. (N/A) [0..32767] {[Section 5.2.3.1 Converted Instrument Status Data](#)}

### INS-71 Packet Data Indicator

This parameter indicates the type of data in the current packet generated by the instrument. Controlled by the Set\_Science\_Packet\_Type command, this parameter sets both the Application Identifiers (APIDs) type in the packet and the associated byte format for the 660 data records. The enumerated values are in [Table B-10](#), note 119. The APIDs are set based on this indicator as shown in [Table 4-13](#). (N/A) [0..6] {[Section 5.2.3.1 Converted Instrument Status Data](#)}

Table 4-13. APID and Packet Format

Packet Data Format Type	Input Level-0 Data File by APID			
	Science	Calibration	Diagnostic	Fixed Pattern
Normal_Science	X			
Calibration		X		
Memory_Dump			X	
Gimbal_Error			X	
Execution_Time			X	
Fixed_Pattern ( <a href="#">TRMM</a> )			X	
Fixed_Pattern (Terra/Aqua)				X
No_Archive			X	



**INS-72 Packet Data Version**

This parameter indicates the flight code version burned into the Instrument's EPROMs. The default values for each of the instrument are shown below.

- **PFM** (TRMM) = 4
- **FM1/FM2** (Terra) = 5
- **FM3/FM4** (Aqua) = 6

(N/A) [0..31] {[Section 5.2.3.1 Converted Instrument Status Data](#)}

**INS-73 Packet Timecode Indicator**

This parameter indicates whether the time stamp for a packet was generated from the spacecraft time-mark or from an instrument internal timer. The spacecraft derived time stamp is computed from the last sample in the packet. It is calculated from the 1 Hz time mark as follows:

$$\begin{aligned} \text{Time} = & \# \text{ 1Hz tick marks since beginning of the packet} + \\ & \# \mu\text{secs since tick occurrence to the end of the packet} \\ \text{i.e., } \# \mu\text{sec adjust} = & (659 - \text{sample}\# \text{ when tick occurred}) * 1\_000\_000 \end{aligned}$$

However, if 3 time marks are not received from the spacecraft, then the time stamp will be based on an internally derived instrument time. Also, due to timing collisions between the spacecraft 1Hz signal and the internal instrument 100 Hz signal during the last packet sample, the time stamp may be off by 0.01 seconds. Consequently, the packet to packet time difference could be 6.59 seconds versus the nominal 6.60 seconds. This difference is usually "recovered" by a subsequent 6.61 second difference within a few packets.

(N/A) [0..1] {[Section 5.2.3.1 Converted Instrument Status Data](#)}

**INS-74 PCA Electronics Temperature**

This parameter measures the temperature of the power converter assembly electronics. The converted value is computed using DRL-64 Algorithm 3.C. For the exact location of this sensor, see DRL-64 ([Reference 2](#)). (Count, °C) [0 .. 4095, -30 .. 70] {[Section 5.2.3.7 Temperature Counts](#), [Section 5.2.3.2 Converted Temperatures](#)}

**INS-75 PCA Radiator Temperature**

This parameter measures the temperature for the radiator for the power converter assembly circuit board. The converted value is computed using DRL-64 Algorithm 3.C. For the exact location of this sensor, see DRL-64 ([Reference 2](#)). (Count, °C) [0 .. 4095, -30 .. 70] {[Section 5.2.3.7 Temperature Counts](#), [Section 5.2.3.2 Converted Temperatures](#)}

**INS-76 Pedestal Temperature 1-Brake Housing**

This parameter measures the temperature of the instrument's pedestal mount for the azimuth's brake assembly. The converted value is computed using DRL-64 Algorithm 3.C. For the exact location of this sensor, see DRL-64 ([Reference 2](#)). (Count, °C) [0 .. 4095, -30 .. 70] {[Section 5.2.3.7 Temperature Counts](#), [Section 5.2.3.2 Converted Temperatures](#)}

**INS-77 Pedestal Temperature 2-Isolator**

This parameter measures the temperature of the instrument's pedestal mount near the spacecraft mounting interface. The converted value is computed using DRL-64 Algorithm 3.C. For the

exact location of this sensor, see DRL-64 ([Reference 2](#)). (Count, °C) [0 .. 4095, -30 .. 70] {[Section 5.2.3.7 Temperature Counts](#), [Section 5.2.3.2 Converted Temperatures](#)}

### **INS-78 Science Packet Quick Look Status Flag**

This parameter indicates to the ground data processing system that a copy of a packet is to be made and collected into a level-0 file for quick-look science data processing. The enumerated values are in [Table B-10](#), note 137. For the [CERES](#) instrument on the [TRMM](#) spacecraft, this value is expected to be = Flag\_Not\_Set (normal condition). This parameter reflects the Set\_Quicklook\_Flag command. (N/A) [0..1] {[Section 5.2.3.1 Converted Instrument Status Data](#)}

### **INS-79 Sensor Electronics Temperature**

This parameter measures the temperature of the detector sensor front-end electronics printed circuit card. Since the bridge balance circuits are part of this circuitry, temperature variations may have an influence on the bolometer signals. The converted value is computed using DRL-64 Algorithm 3.B. For the exact location of this sensor, see DRL-64 ([Reference 2](#)). (Count, °C) [0 .. 4095, -30 .. 70] {[Section 5.2.3.7 Temperature Counts](#), [Section 5.2.3.2 Converted Temperatures](#)}

### **INS-80 Sensor Module Temperature**

This parameter measures the temperature of the cantilever mounting plate that holds the detector sensor assembly. The sensor is mounted between the [WN](#) and [SW](#) assemblies. The converted value is computed using DRL-64 Algorithm 3.B. For the exact location of this sensor, see DRL-64 ([Reference 2](#)) (Count, °C) [0 .. 4095, -30 .. 70] {[Section 5.2.3.7 Temperature Counts](#), [Section 5.2.3.2 Converted Temperatures](#)}

### **INS-81 SW Detector Control Temperature**

### **INS-82 TOT Detector Control Temperature**

### **INS-83 WN Detector Control Temperature**

These parameters measure the temperature measured by the detector's heatsink control sensor. The converted values are computed using DRL-64 [Algorithm 2 - The Sensor Control Temperature \(SCT\) conversion equations for the SW, TOT, and WN channels are:](#) For the exact location of these sensors, see DRL-64 ([Reference 2](#)). Note: for the [FM2](#) instrument, the total channel control temperature parameter will read false values and is not to be used. (Count, °C) [0 .. 4095, 36 .. 40] {[Section 5.2.3.7 Temperature Counts](#), [Section 5.2.3.2 Converted Temperatures](#)}

### **INS-84 SW Detector Monitor Temperature**

### **INS-85 TOT Detector Monitor Temperature**

### **INS-86 WN Detector Monitor Temperature**

These parameters measure the temperature measured by the detector's heatsink monitor sensors. These secondary sensors are used by the heatsink temperature control algorithm for maintaining the required tightness temperatures. (See section on heatsink temperature algorithms for operational details.) However, these sensors are the primary monitoring sensors used by the radiometric count conversion process. The converted value is computed using DRL-64 Algorithm

3.A. For the exact location of these sensors, see DRL-64 ([Reference 2](#)). (Count, °C) [0 .. 4095, 36 .. 40] {[Section 5.2.3.7 Temperature Counts](#), [Section 5.2.3.2 Converted Temperatures](#)}

### **INS-87 SWICS Lamp Current**

This parameter measures the current being drawn by the **SWICS** photodiode lamp. Values should be seen only when an internal calibration is performed. The converted value is computed using DRL-64 ([Reference 2](#)) Linear Coefficients Algorithm 4L listed in [Table 8-5](#). (Count, mA) [0 .. 4095, 0 .. 115] {[Section 5.2.3.8 Voltage - Torque Counts](#), [Section 5.2.3.3 Converted Voltages and Torques](#)}

### **INS-88 SWICS Photodiode Temperature**

This parameter measures the temperature of the SWICS photodiode mounting base. The mounting base is not temperature controlled. The converted value is computed using DRL-64 Algorithm 3.C. For the exact location of this sensor, see DRL-64 ([Reference 2](#)). (Count, °C) [0 .. 4095, -30 .. 70] {[Section 5.2.3.7 Temperature Counts](#), [Section 5.2.3.2 Converted Temperatures](#)}

### **INS-89 TOT Blackbody Temperature**

### **INS-90 WN Blackbody Temperature**

These parameters measures the temperature measured by the blackbody's heatsink sensor. The **TOT** blackbody sensor is the primary sensor used by the temperature control algorithm for maintaining the required blackbody temperatures. There is no secondary sensor, though the **WN** blackbody sensor is available. The converted values are computed using DRL-64 [Algorithm 1 - The Platinum Resistance Thermometer \(PRT\) conversion equations for the blackbody total and window channels are:](#) (See section on heatsink temperature algorithms for operational details.)

For the exact location of these sensors, see DRL-64 ([Reference 2](#)). (Count, °C) [0 .. 4095, -15 .. 60] {[Section 5.2.3.7 Temperature Counts](#), [Section 5.2.3.2 Converted Temperatures](#)}

### 4.3.2.3 Level-0 Parameter Descriptions

The parameters described in this section have no converted value and are copied from the Level-0 input files to the [BDS](#). The Level-0 parameters that have a complimentary converted value are found in the section under the Instrument Parameters (See [Section 4.3.2.2](#)). An alphabetical listing of the Level-0 parameters is given in [Table 1-4](#).

#### LVL-1 ACA Encoder Clear Track A

#### LVL-0 ACA Encoder Clear Track B

These parameters indicates the raw count values for the azimuth encoder track A and track B as read from the LED. (count) [0 .. 4095] {[Section 5.2.3.5 Position Counts](#)}

#### LVL-0 Azimuth Brake Position

This parameter indicates the raw count value for the brake position encoder. (count) [0 .. 4095] {[Section 5.2.3.5 Position Counts](#)}

#### LVL-0 Azimuth Error Counts

This parameter indicates raw azimuth gimbal error (commanded versus actual difference) position count values, copied from the input Level-0 data files. These data are output to a BDSG product when the instrument is in the diagnostic gimbal error configuration. (count) [0 .. 65535] {[Section 5.2.2 BDS SDS Summary](#)}

#### LVL-0 Azimuth Position Count

This parameter indicates the raw azimuth gimbal position count value from sample 351, copied from the input Level-0 data files. [Figure 4-10](#) illustrates the synchronous and asynchronous profiles currently available when the instrument is in [RAPS](#) model. The asynchronous profile will be the nominal mission profile. (count) [0 .. 4095] {[Section 5.2.2 BDS SDS Summary](#)}

#### LVL-0 Blackbody Heater DAC Value

This parameter represents the commanded power value used to control the heatsink temperature. This value is derived from internal flight code equations that use the A0, A1, B1, and D0 commanded coefficients. See [Sec. B.6](#) for the derived equations as copied from the Instrument Operations Manual ([Reference 8](#)). (count) [0 .. 4095] {[Section 5.2.3.5 Position Counts](#)}

#### LVL-0 DAP Memory

#### LVL-0 ICP Memory

These parameters indicates the raw [DAP](#) and ICP memory word count values, copied from the input Level-0 data files. These data are only output to a BDSM product when the instrument is in the diagnostic memory dump configuration. The memory dump can be used to check the proper operation of the instrument processors. (count) [0 .. 65535] {[Section 5.2.2 BDS SDS Summary](#)}

#### LVL-0 DAP Timing Counts

#### LVL-0 ICP Timing Counts

These parameters measures the raw **DAP** (Data Acquisition microProcessor) and **ICP** (Instrument Control microProcessor) execution time count values, copied from the input Level-0 data files. These data are only output to a BDSF product when the instrument is in the diagnostic memory dump configuration. (count) [0 .. 65535] {[Section 5.2.2 BDS SDS Summary](#)}

### **LVL-0 ECA Encoder Clear Track A**

### **LVL-0 ECA Encoder Clear Track B**

These parameters indicates the raw count values for the elevation encoder track A and track B as read from the LED. (count) [0 .. 4095] {[Section 5.2.3.5 Position Counts](#)}

### **LVL-0 Elevation Error Counts**

This parameter indicates raw elevation gimbal error (commanded versus actual difference) position count values, copied from the input Level-0 data files. These data are output to a BDSG product when the instrument is in the diagnostic gimbal error configuration. (count) [0 .. 65535] {[Section 5.2.2 BDS SDS Summary](#)}

### **LVL-0 Elevation Position Count**

This parameter indicates the raw elevation gimbal position count value for samples 120, 336, 505, copied from the input Level-0 data files. [Tables 4-8](#) through [4-10](#) list the profiles for the normal-earth scan, short-earth scan, nadir-earth scan, and MAM scan, respectively. See [Figure 4-11](#) for a sketch of the elevation profiles. Note, for Level-0 data, measurement samples are referenced as 0 .. 659, whereas, for the Level-1b **BDS** files, the measurement samples are referenced 1 .. 660. (count) [0 .. 4095] {[Section 5.2.2 BDS SDS Summary](#)}

### **LVL-0 Fixed Pattern 1**

### **LVL-0 Fixed Pattern 2**

### **LVL-0 Fixed Pattern 3**

### **LVL-0 Fixed Pattern 4**

### **LVL-0 Fixed Pattern 5**

### **LVL-0 Fixed Pattern 6**

These parameters indicates raw count values for the first through sixth word in a fixed pattern record, copied from the input Level-0 data files. These data are only output to a BDSF product when the instrument is in the diagnostic fixed pattern configuration. These patterns are used for communication tests. It has been observed on the **PFM** instrument that the values for words 3 .. 6 will not be accurate due to bit format alignment problems in the flight code. This will be rechecked for the **FM1** and **FM2** instruments.

(count) [0 .. 65535, 0 .. 4095 ] {[Section 5.2.3.5 Position Counts](#)}

- **Word 1** substitutes for the azimuth parameter, nominally =  $10000 + (n * 60)$
- **Word 2** substitutes for the elevation parameter, nominally =  $20000 + (n * 60)$
- **Word 3** substitutes for the **TOT** radiometric parameter, nominally =  $1000 + n$
- **Word 4** substitutes for the **WN** radiometric parameter, nominally =  $3000 + n$
- **Word 5** substitutes for the **SW** radiometric parameter, nominally =  $2000 + n$

- **Word 6** substitutes for the analog engineering parameter as denoted by DRL-64 (Figure 2-1 in [Reference 2](#)). The values correspond to the submux channel (See [Table B-19](#)).

The value n represents the instrument sample number within a scan ranging from 0 to 659.

### **LVL-0 Main Cover Position 1**

### **LVL-0 Main Cover Position 2**

These parameters indicates the raw count values for the linear screw drive encoders for the main cover rail number 1 and rail number 2. (count) [0 .. 4095] {[Section 5.2.3.5 Position Counts](#)}

### **LVL-0 MAM Cover Position**

These parameter indicates the raw count value for the MAM cover drive encoder. (count) [0 .. 4095] {[Section 5.2.3.5 Position Counts](#)}

### **LVL-0 MAM Cover Position Status**

This parameter indicates where the cover is currently positioned as of the last sample in the packet. See [Table B-10](#), note 106. During nominal mission operations, this status should generally indicate Cover\_At\_Opened\_Position (1). However, it may also indicate Potentially\_Failed\_Position\_Sensor. This indicator simply means that the cover “overshot” its defined opened (or closed) position and is not indicative of a problem. There are no plans to move the cover after initial on-orbit instrument checkout. (count) [0 .. 4095] {[Section 5.2.3.5 Position Counts](#)}

### **LVL-0 Raw Instrument Status Data**

This parameter represents the block of status data for each packet, copied from the input Level-0 data files. See [Table B-1](#) for details. (N/A)

### **LVL-0 Spacecraft Time**

This parameter indicates the raw telemetry packet secondary header time stamp, copied from the input Level-0 data files. (count) [0 .. 255] {[Section 5.2.2 BDS SDS Summary](#)}

### **LVL-0 SPS 1 Narrow FOV**

### **LVL-0 SPS 1 Wide FOV**

### **LVL-0 SPS 2 Narrow FOV**

### **LVL-0 SPS 2 Wide FOV**

These parameters indicates the count values from the solar presence sensor narrow/wide FOV circuitries. Values indicate that light (typically Sun light) is being detected within the narrow/wide FOV window, and are input to the solar warning evaluation algorithms. The wide FOV is also used to determine the threshold level for the narrow FOV. (See [Appendix C](#) on Solar Avoidance for further details.) (count) [0 .. 4095] {[Section 5.2.3.5 Position Counts](#)}

**LVL-0 SW Channel Heater DAC Value****LVL-0 Total Channel Heater DAC Value****LVL-0 WN Channel Heater DAC Value**

These parameters indicates the commanded power values used to control the heatsink temperature for each radiometer channel. The values are derived from internal flight code equations that use the A0, A1, B1, and D0 commanded coefficients. See [Sec. B.6](#) for the derived equations as copied from the Instrument Operations Manual ([Reference 8](#)).

(count) [0 .. 4095] {[Section 5.2.3.5 Position Counts](#)}

**LVL-0 SW Detector Outputs****LVL-0 TOT Detector Outputs****LVL-0 WN Detector Outputs**

These parameters measures the raw [SW](#), [TOT](#), and [WN](#) detector count values, copied from the input Level-0 data files containing the three radiometric channels from the [CERES](#) scanning instrument. Each detector measurement at satellite altitude has a range of 0 - 4095 counts. The algorithm for converting raw radiometric data in digital counts into filtered radiance is in the section on calibration (See [Reference 3](#)).

(count) [0 .. 4095] {[Section 5.2.3.5 Position Counts](#)}

**LVL-0 SWICS Photodiode Output**

This parameter measures the digital counts as sent to the [SWICS](#) lamp driver circuitry. This value should be zero when the lamp is off. When the lamp is on, the values for each intensity level is approximately 170, 1401, and 3145 1 count, which corresponds roughly to 100, 250, and 400  $\text{Wm}^{-2}\text{sr}^{-1}$ , respectively. (count) [0 .. 4095] {[Section 5.2.3.7 Temperature Counts](#)}.

### 4.3.3 Fill Values

Table 4-14 lists the default CERES Fill Values. These are used when data are missing, when there are insufficient data to make a calculation, or when data are suspect. Suspect values are values that were calculated but failed edit checks.

Table 4-14. CERES Fill Values

Fill Value Name	Value	Fill Value Description*
INT1_DFLT	127	default value for a 1-byte integer
INT2_DFLT	32767	default value for a 2-byte integer
INT4_DFLT	2147483647	default value for a 4-byte integer
REAL4_DFLT	3.4028235E+38	default value for a 4-byte real
REAL8_DFLT	1.7976931348623157E+308	default value for a 8-byte real

\* 1 byte = 8 bits

### 4.3.4 Data Types

The following data types are used to represent numerical parameters in the BDS:

Table 4-15. Data Types and Formats

Data Type	Range	Format
Unsigned 8 Bit Integer	0..255	N/A
Signed 8 Bit Integer	-127..127	N/A
Unsigned 16 Bit Integer	0..65536	N/A
Signed 16 Bit Integer	-32767..32767	N/A
Unsigned 32 Bit Integer	0..4294967296	N/A
Signed 32 Bit Integer	-2147483648..2147483648	N/A
32 Bit Float	platform dependent	11.6
64 Bit Float	platform dependent	13.8



## 5.0 Data Organization

This section discusses the organization of the [BDS](#) structures as written to the output data file. All BDS data products use Hierarchical Data Format ([HDF](#)) structures such as Vertex Data (Vdata) and Scientific Data Sets ([SDSs](#)). See the [HDF User's Guide](#) for additional information ([Reference 5](#)). BDS Metadata are implemented using the ECS ToolKit metadata routines ([Reference 4](#)), which are based on [HDF Annotations](#).

### 5.1 Data Granularity

All [BDS](#) data granules consist of no more than 24 hours of data from one [CERES](#) instrument.

### 5.2 Data Format

All [BDS](#) data granules are stored in the [HDF](#) developed by the National Center for Supercomputing Applications (NCSA). The [HDF](#) permits aggregation of commonly used data structures within a single file, and a common, platform independent Application Programming Interface (API). The BDS product contains [HDF SDSs](#) and Vdata structures.

#### 5.2.1 Scientific Data Sets (SDS)

A Scientific Data Set is an [HDF](#) structure capable of storing large quantities of a single data type. [SDSs](#) are organized by dimensions, and a single SDS can have up to 32 dimensions. By design, [SDSs](#) within the [BDS](#) are limited to two dimensions. A 2-dimensional SDS is analogous to a spreadsheet with  $m$  columns and  $n$  rows. This allows a time ordered mapping of [CERES](#) scanner sampling data to the SDS data structure. Such a mapping is shown in [Figure 5-1](#), where a single SDS row corresponds to a packet of data or record, and each column in the row corresponds to a sample measurement within a packet. Consequently, the number of rows in a given BDS SDS will depend on the number of scanner records processed. Most of the SDSs have 660 samples per packet of a single parameter arranged as shown in [Figure 5-1](#).

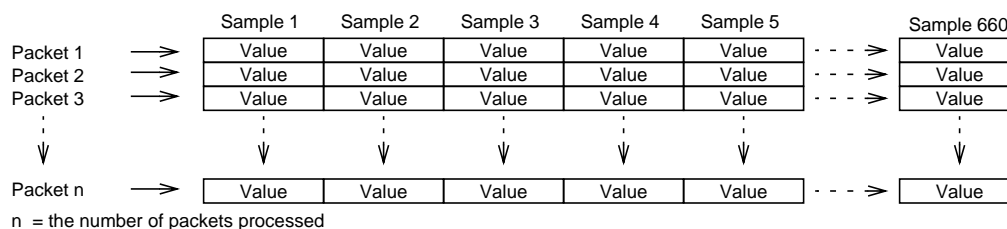


Figure 5-1. BDS [SDS](#) schematic

#### 5.2.2 BDS SDS Summary

[Table 5-1](#) lists the parameters that are stored as [SDSs](#). The entries in the Link and SDS Name columns are hyperlinked to a definition of the parameter. The [HDF](#) rank of all [BDS](#) SDSs is 2 (2-dimensional arrays). The size column specifies the dimensions where  $n$  is the number of packets.

The **HDF** data type, the size of the **SDS**, and which products contain each SDS are also shown in the summary table. The key for the Product Types is in the summary table header.

Table 5-1. BDS Scientific Data Set (SDS) Summary (1 of 2)

Link	SDS Name	Size	Data Type	Nominal Size MB	BDS Product Types (*)
(*) A=BDS, S=BDSS, D=BDSD, F=BDSF, G=BDSG, M=BDSM, P=BDSP					
SCI-1	<a href="#">Ancillary QA Flags Set 1 (Radiance Housekeeping)</a>	660 x n	U32 bit Integer		A, S, D, --, G, M, P
SCI-2	<a href="#">Ancillary QA Flags Set 2 (Spaceclamp Algorithm)</a>	660 x n	U 32 bit integer		A, S, D, --, G, M, P
SCI-3	<a href="#">CERES Relative Azimuth at Surface</a>	660 x n	32 bit float		A, S, D, --, G, M, P
SCI-4	<a href="#">CERES Relative Azimuth at TOA - Geocentric</a>	660 x n	32 bit float		A, S, D, --, G, M, P
SCI-5	<a href="#">CERES Solar Zenith at Surface</a>	660 x n	32 bit float		A, S, D, --, G, M, P
SCI-6	<a href="#">CERES Solar Zenith at TOA - Geocentric</a>	660 x n	32 bit float		A, S, D, --, G, M, P
SCI-7	<a href="#">CERES SW Filtered Radiance, Upwards</a>	660 x n	32 bit float		A, S, D, --, --, --, --
SCI-8	<a href="#">CERES TOT Filtered Radiance, Upwards</a>	660 x n	32 bit float		A, S, D, --, --, --, --
SCI-9	<a href="#">CERES Viewing Zenith at Surface</a>	660 x n	32 bit float		A, S, D, --, G, M, P
SCI-10	<a href="#">CERES Viewing Zenith at TOA - Geocentric</a>	660 x n	32 bit float		A, S, D, --, G, M, P
SCI-11	<a href="#">CERES WN Filtered Radiance, Upwards</a>	660 x n	32 bit float		A, S, D, --, --, --, --
SCI-12	<a href="#">Clock Angle of CERES FOV at Satellite wrt Inertial Velocity</a>	660 x n	32 bit float		A, S, D, --, G, M, P
SCI-13	<a href="#">Colatitude of CERES FOV at Surface</a>	660 x n	32 bit float		A, S, D, --, G, M, P
SCI-14	<a href="#">Colatitude of CERES FOV at TOA</a>	660 x n	32 bit float		A, S, D, --, G, M, P
SCI-18	<a href="#">Cone Angle of CERES FOV at Satellite</a>	660 x n	32 bit float		A, S, D, --, G, M, P
SCI-19	<a href="#">Count Conversion SW Sample Offsets</a>	660 x 4	32 bit float		A, S, D, --, --, --, --
SCI-20	<a href="#">Count Conversion TOT Sample Offsets</a>	660 x 4	32 bit float		A, S, D, --, --, --, --
SCI-21	<a href="#">Count Conversion WN Sample Offsets</a>	660 x 4	32 bit float		A, S, D, --, --, --, --
SCI-23	<a href="#">Julian Date and Time</a>	2 x n	64 bit float		A, S, D, F, G, M, P
SCI-24	<a href="#">Longitude of CERES FOV at Surface</a>	660 x n	32 bit float		A, S, D, --, G, M, P
SCI-25	<a href="#">Longitude of CERES FOV at TOA</a>	660 x n	32 bit float		A, S, D, --, G, M, P
SCI-29	<a href="#">Radiance and Mode Flags</a>	660 x n	U32 bit integer		A, S, D, --, G, M, P
SCI-30	<a href="#">Rate of Change of Clock Angle</a>	660 x n	32 bit float		A, S, D, --, G, M, P
SCI-31	<a href="#">Rate of Change of Cone Angle</a>	660 x n	32 bit float		A, S, D, --, G, M, P
SCI-45	<a href="#">SW Spaceclamp Values</a>	2 x n	32 bit float		A, S, D, --, --, --, --
SCI-46	<a href="#">TOT Spaceclamp Values</a>	2 x n	32 bit float		A, S, D, --, --, --, --
SCI-47	<a href="#">WN Spaceclamp Values</a>	2 x n	32 bit float		A, S, D, --, --, --, --
INS-19	<a href="#">Converted Azimuth Angles</a>	660 x n	32 bit float		A, S, D, --, G, M, P
INS-17	<a href="#">Azimuth Position Error</a>	660 x n	32 bit float		G
INS-20	<a href="#">Converted Elevation Angles</a>	660 x n	32 bit float		A, S, D, --, G, M, P
INS-49	<a href="#">Elevation Error</a>	660 x n	32 bit float		G

Table 5-1. BDS Scientific Data Set (SDS) Summary (2 of 2)

Link	SDS Name	Size	Data Type	Nominal Size MB	BDS Product Types (*)
(*) A=BDS, S=BDSS, D=BDSD, F=BDSF, G=BDSG, M=BDSM, P=BDSP					
INS-39	DAP Timing	660 x n	32 bit float		P
INS-40	ICP Timing	660 x n	32 bit float		P
LVL-0	Azimuth Error Counts	660 x n	U16 bit integer		G
LVL-0	Azimuth Position Count	660 x n	U16 bit integer		A, S, D, --, G, M, P
LVL-0	DAP Timing Counts	660 x n	U16 bit integer		P
LVL-0	Elevation Position Count	660 x n	U16 bit integer		A, S, D, --, G, M, P
LVL-0	Fixed Pattern 1	660 x n	U16 bit integer		F
LVL-0	Fixed Pattern 2	660 x n	U16 bit integer		F
LVL-0	Fixed Pattern 3	660 x n	U16 bit integer		F
LVL-0	Fixed Pattern 4	660 x n	U16 bit integer		F
LVL-0	Fixed Pattern 5	660 x n	U16 bit integer		F
LVL-0	Fixed Pattern 6	660 x n	U16 bit integer		F
LVL-0	ICP Timing Counts	660 x n	U16 bit integer		P
LVL-0	Elevation Error Counts	660 x n	U16 bit integer		G
LVL-0	DAP Memory	660 x n	U16 bit integer		M
LVL-0	ICP Memory	660 x n	U16 bit integer		M
LVL-0	Raw Instrument Status Data	185 x n	U16 bit integer		A, S, D, F, G, M, P
LVL-0	SW Detector Outputs	660 x n	U16 bit integer		A, S, D, --, --, --, --
LVL-0	TOT Detector Outputs	660 x n	U16 bit integer		A, S, D, --, --, --, --
LVL-0	WN Detector Outputs	660 x n	U16 bit integer		A, S, D, --, --, --, --
LVL-0	Spacecraft Time	8 x n	U8 bit integer		M

### 5.2.3 Vertex Data (VData)

A Vdata is an [HDF](#) structure that allows record-based storage of multiple parameters and/or multiple data types as shown in the example in [Figure 5-2](#). Vdata records are analogous to records found in relational database systems where a single record is composed of one or more data fields, and each data field can be represented by its own data type.

Field 1 Unsigned 16 bit Integer	Field 2 32 bit Floats		Field 3 Signed 8 bit Integer
Value	Value 1	Value 2	Value

Figure 5-2. Vdata record example

[Table 5-2](#) is a summary of the Vdata structures contained in the [BDS](#) products. Following the summary table are tables that list the components of each of the Vdatas. These tables represent

the Vdata structures as written to the data products. The data descriptions are hyperlinked from the Parameter Name column in each of the tables.

Table 5-2. Vdata Summary

Vdata Name	Section Link	Records	Number of Fields	Nominal Size (MB)	BDS Product Types (*)
<a href="#">Converted Instrument Status Data</a>	<a href="#">Sec. 5.2.3.1</a>	n	25	1.1	A, S, D, F, G, M, P
<a href="#">Converted Temperatures</a>	<a href="#">Sec. 5.2.3.2</a>	n	35	8.84	A, S, D, --, G, M, P
<a href="#">Converted Voltages and Torques</a>	<a href="#">Sec. 5.2.3.3</a>	n	23	4.35	A, S, D, --, G, M, P
<a href="#">Count Conversion Constants</a>	<a href="#">Sec. 5.2.3.4</a>	1	9	~0.0	A, S, D, --, --, --, --
<a href="#">Position Counts</a>	<a href="#">Sec. 5.2.3.5</a>	n	12	6.6	A, S, D, --, G, M, P
<a href="#">Satellite - Celestial Data</a>	<a href="#">Sec. 5.2.3.6</a>	n	11	1.6	A, S, D, F, G, M, P
<a href="#">Temperature Counts</a>	<a href="#">Sec. 5.2.3.7</a>	n	39	5.62	A, S, D, --, G, M, P
<a href="#">Voltage - Torque Counts</a>	<a href="#">Sec. 5.2.3.8</a>	n	24	2.25	A, S, D, --, G, M, P
<b>Vdata Total Size</b>				30.36	
(*) A=BDS, S=BDSS, D=BDSD, F=BDSF, G=BDSG, M=BDSM, P=BDSP					

### 5.2.3.1 Converted Instrument Status Data

**BDS Product Types: BDS, BDSS, BDSD, BDSF, BDSM, BDSG, BDSP**

This data set contains the converted values for instrument status parameters that have defined conversion algorithms. Packet status information that is not part of the raw digital status data block is also included in this data set.

Table 5-3. Converted Instrument Status Data Field Summary (1 of 2)

Link	Field Num	Parameter Name	Order	Data Type
<a href="#">INS-50</a>	1	<a href="#">Elevation Offset Correction</a>	1	32 bit float
<a href="#">INS-16</a>	2	<a href="#">Azimuth Offset Correction</a>	1	32 bit float
<a href="#">INS-4</a>	3	<a href="#">Azimuth Defined Crosstrack Position</a>	1	32 bit float
<a href="#">INS-6</a>	4	<a href="#">Azimuth Defined Fixed Position A</a>	1	32 bit float
<a href="#">INS-7</a>	5	<a href="#">Azimuth Defined Fixed Position B</a>	1	32 bit float
<a href="#">INS-11</a>	6	<a href="#">Azimuth Defined Fixed Solar Calibration Position</a>	1	32 bit float
<a href="#">INS-5</a>	7	<a href="#">Azimuth Defined Fixed Cage Position</a>	1	32 bit float
<a href="#">INS-8</a>	8	<a href="#">Azimuth Defined Fixed Position Spare 1</a>	1	32 bit float
<a href="#">INS-9</a>	9	<a href="#">Azimuth Defined Fixed Position Spare 2</a>	1	32 bit float
<a href="#">INS-10</a>	10	<a href="#">Azimuth Defined Fixed Position Spare 3</a>	1	32 bit float
<a href="#">INS-12</a>	11	<a href="#">Azimuth Defined Normal Slew Rate</a>	1	32 bit float

Table 5-3. Converted Instrument Status Data Field Summary (2 of 2)

Link	Field Num	Parameter Name	Order	Data Type
<a href="#">INS-3</a>	12	<a href="#">Azimuth Defined Asynchronous Scan Rate</a>	1	32 bit float
<a href="#">INS-13</a>	13	<a href="#">Azimuth Defined Synchronous Scan Rate</a>	1	32 bit float
<a href="#">INS-17</a>	14	<a href="#">Azimuth Position Error</a>	1	32 bit float
<a href="#">INS-36</a>	15	<a href="#">DAP Minimum Execution Time</a>	1	32 bit float
<a href="#">INS-35</a>	16	<a href="#">DAP Maximum Execution Time</a>	1	32 bit float
<a href="#">INS-38</a>	17	<a href="#">ICP Minimum Execution Time</a>	1	32 bit float
<a href="#">INS-37</a>	18	<a href="#">ICP Maximum Execution Time</a>	1	32 bit float
<a href="#">INS-63</a>	19	<a href="#">Instrument ID Number</a>	1	Unsigned 16 bit integer
<a href="#">INS-71</a>	20	<a href="#">Packet Data Indicator</a>	1	Unsigned 16 bit integer
<a href="#">INS-72</a>	21	<a href="#">Packet Data Version</a>	1	Unsigned 16 bit integer
<a href="#">INS-78</a>	22	<a href="#">Science Packet Quick Look Status Flag</a>	1	Unsigned 16 bit integer
<a href="#">INS-73</a>	23	<a href="#">Packet Timecode Indicator</a>	1	Unsigned 16 bit integer
<a href="#">INS-70</a>	24	<a href="#">Packet Counter - Relative</a>	1	Unsigned 16 bit integer
<a href="#">INS-69</a>	25	<a href="#">Packet Counter - Absolute</a>	1	Unsigned 32 bit integer
Record Size (bytes)				92

### 5.2.3.2 Converted Temperatures

**BDS Product Types:** **BDS, BDSS, BDSD, BDSM, BDSG, BDSP**

This data set contains the converted values for instrument temperature parameters. The data descriptions apply to both the Temperature Counts ([Table 5-9](#)) parameters and the Converted Temperatures listed in [Table 5-4](#). The Link and Parameter Name columns are hyperlinked from the tables to the parameter description.

Table 5-4. Converted Temperatures Field Summary (1 of 2)

Link	Field Num	Parameter Name	Order	Data Type
<a href="#">INS-82</a>	1	<a href="#">TOT Detector Control Temperature</a>	12	32 bit float
<a href="#">INS-85</a>	2	<a href="#">TOT Detector Monitor Temperature</a>	12	32 bit float
<a href="#">INS-81</a>	3	<a href="#">SW Detector Control Temperature</a>	12	32 bit float
<a href="#">INS-84</a>	4	<a href="#">SW Detector Monitor Temperature</a>	12	32 bit float
<a href="#">INS-83</a>	5	<a href="#">WN Detector Control Temperature</a>	12	32 bit float
<a href="#">INS-86</a>	6	<a href="#">WN Detector Monitor Temperature</a>	12	32 bit float

Table 5-4. Converted Temperatures Field Summary (2 of 2)

Link	Field Num	Parameter Name	Order	Data Type
INS-89	7	TOT Blackbody Temperature	12	32 bit float
INS-90	8	WN Blackbody Temperature	12	32 bit float
INS-52	9	Elevation Spindle Temperature-Motor	3	32 bit float
INS-51	10	Elevation Spindle Temperature-CW	3	32 bit float
INS-48	11	Elevation Bearing Temperature-Motor	3	32 bit float
INS-47	12	Elevation Bearing Temperature-CW	3	32 bit float
INS-88	13	SWICS Photodiode Temperature	3	32 bit float
INS-80	14	Sensor Module Temperature	3	32 bit float
INS-79	15	Sensor Electronics Temperature	3	32 bit float
INS-64	16	Main Cover Motor Temperature	3	32 bit float
INS-67	17	MAM Total Baffle Temperature 1	3	32 bit float
INS-67	18	MAM Total Baffle Temperature 1	3	32 bit float
INS-65	19	MAM Assembly SW Temperature	3	32 bit float
INS-65	20	MAM Assembly SW Temperature	3	32 bit float
INS-34	21	DAA Radiator Temperature	3	32 bit float
INS-33	22	DAA Processor Electronics Temperature	3	32 bit float
INS-30	23	DAA ADC Electronics Temperature	3	32 bit float
INS-44	24	ECA Radiator Temperature	3	32 bit float
INS-43	25	ECA Electronics Temperature	3	32 bit float
INS-1	26	ACA Electronics Temperature	3	32 bit float
INS-15	27	Azimuth Lower Bearing Temperature	3	32 bit float
INS-18	28	Azimuth Upper Bearing Temperature	3	32 bit float
INS-62	29	ICA Radiator Temperature	3	32 bit float
INS-61	30	ICA Processor Electronics Temperature	3	32 bit float
INS-60	31	ICA ADC Electronics Temperature	3	32 bit float
INS-75	32	PCA Radiator Temperature	3	32 bit float
INS-74	33	PCA Electronics Temperature	3	32 bit float
INS-76	34	Pedestal Temperature 1-Brake Housing	3	32 bit float
INS-77	35	Pedestal Temperature 2-Isolator	3	32 bit float
Record Size (bytes)				708

### 5.2.3.3 Converted Voltages and Torques

**BDS Product Types: BDS, BDSS, BDSD, BDSM, BDSG, BDSP**

This data set contains the converted values for instrument voltage, current, and gimbal torque parameters. The data descriptions apply to both the Voltage - Torque Counts Field Summary (Table 5-10 and the Converted Voltages and Torques Field Summary listed in Table 5-5. The Link and Parameter Name columns are hyperlinked from the tables to the parameter description.

Table 5-5. Converted Voltages and Torques Field Summary

Link	Field Num	Parameter Name	Order	Data Type
<a href="#">INS-41</a>	1	<a href="#">Detector +120V Bias</a>	3	32 bit float
<a href="#">INS-42</a>	2	<a href="#">Detector -120V Bias</a>	3	32 bit float
<a href="#">INS-87</a>	3	<a href="#">SWICS Lamp Current</a>	3	32 bit float
<a href="#">INS-56</a>	4	<a href="#">ICA +5V Digital</a>	3	32 bit float
<a href="#">INS-54</a>	5	<a href="#">ICA +15V to ECA/ACA</a>	3	32 bit float
<a href="#">INS-59</a>	6	<a href="#">ICA -15V to ECA/ACA</a>	3	32 bit float
<a href="#">INS-55</a>	7	<a href="#">ICA + 5V Analog</a>	3	32 bit float
<a href="#">INS-53</a>	8	<a href="#">ICA +10V Bias</a>	3	32 bit float
<a href="#">INS-58</a>	9	<a href="#">ICA +15V Internal</a>	3	32 bit float
<a href="#">INS-57</a>	10	<a href="#">ICA -15V Internal</a>	3	32 bit float
<a href="#">INS-31</a>	11	<a href="#">DAA Ground Reference 1</a>	3	32 bit float
<a href="#">INS-32</a>	12	<a href="#">DAA Ground Reference 2</a>	3	32 bit float
<a href="#">INS-26</a>	13	<a href="#">DAA -10V Reference</a>	3	32 bit float
<a href="#">INS-23</a>	14	<a href="#">DAA +130V</a>	3	32 bit float
<a href="#">INS-28</a>	15	<a href="#">DAA -130V</a>	3	32 bit float
<a href="#">INS-22</a>	16	<a href="#">DAA +12V</a>	3	32 bit float
<a href="#">INS-27</a>	17	<a href="#">DAA -12V</a>	3	32 bit float
<a href="#">INS-24</a>	18	<a href="#">DAA +15V</a>	3	32 bit float
<a href="#">INS-29</a>	19	<a href="#">DAA -15V</a>	3	32 bit float
<a href="#">INS-25</a>	20	<a href="#">DAA +5V</a>	3	32 bit float
<a href="#">INS-21</a>	21	<a href="#">DAA +10V Reference</a>	3	32 bit float
<a href="#">INS-45</a>	22	<a href="#">ECA Torque Output</a>	12	32 bit float
<a href="#">INS-2</a>	23	<a href="#">ACA Torque Output</a>	12	32 bit float
Record Size (bytes)				348

### 5.2.3.4 Count Conversion Constants

**BDS Product Types: BDS, BDSS, BSDS**

This Vdata contains a single record of static constants which are used in the radiometric count conversion process (See [Table 5-6](#) and [Figure 5-3](#)). For detailed information on the count conversion equations, see [Reference 3](#). These tables represent the Vdata structures as written to the data products. The data descriptions are hyperlinked from the Link and Parameter Name columns.

Channel Gain Constants												Slow Mode Constants						Edit Limits											
Field 1 - SW						Field 2 - WN						Field 3 - TOT						Field 4 SW		Field 5 WN		Field 6 TOT		Field 7 SW		Field 8 WN		Field 9 TOT	
AV	AVA	AHA	AD	AB	C	AV	AVA	AHA	AD	AB	C	AV	AVA	AHA	AD	AB	C	λ	c	λ	c	λ	c	Min	Max	Min	Max	Min	Max

Figure 5-3. Count Conversion Constants Vdata Record Structure

Table 5-6. Count Conversion Constants Field Summary

Field Num	Link	Parameter Name	Order	Data Type
1	<a href="#">SCI-39</a>	<a href="#">SW Channel Gain Constants</a>	6	32 bit float
2	<a href="#">SCI-41</a>	<a href="#">WN Channel Gain Constants</a>	6	32 bit float
3	<a href="#">SCI-40</a>	<a href="#">TOT Channel Gain Constants</a>	6	32 bit float
4	<a href="#">SCI-36</a>	<a href="#">SW Channel Spurious Slow Mode Constants</a>	2	32 bit float
5	<a href="#">SCI-38</a>	<a href="#">WN Channel Spurious Slow Mode Constants</a>	2	32 bit float
6	<a href="#">SCI-37</a>	<a href="#">TOT Channel Spurious Slow Mode Constants</a>	2	32 bit float
7	<a href="#">SCI-42</a>	<a href="#">SW Radiance Edit Limits</a>	2	32 bit float
8	<a href="#">SCI-44</a>	<a href="#">WN Radiance Edit Limits</a>	2	32 bit float
9	<a href="#">SCI-43</a>	<a href="#">TOT Radiance Edit Limits</a>	2	32 bit float
Record Size (bytes)				

### 5.2.3.5 Position Counts

**BDS Product Types: BDS, BDSS, BSDS, BDSM, BDSG, BDSF**

This data set contains the raw count values for instrument gimbal, covers, and solar position parameters, copied from the Level-0 input data files.

Table 5-7. Position Counts Field Summary (1 of 2)

Field Num	Link	Field Name / Parameter	Order	Data Type
1	<a href="#">LVL-1</a>	<a href="#">ACA Encoder Clear Track A</a>	3	Unsigned 16 bit integer



Table 5-7. Position Counts Field Summary (2 of 2)

Field Num	Link	Field Name / Parameter	Order	Data Type
2	<a href="#">LVL-0</a>	<a href="#">ACA Encoder Clear Track B</a>	3	Unsigned 16 bit integer
3	<a href="#">LVL-0</a>	<a href="#">ECA Encoder Clear Track B</a>	3	Unsigned 16 bit integer
4	<a href="#">LVL-0</a>	<a href="#">ECA Encoder Clear Track B</a>	3	Unsigned 16 bit integer
5	<a href="#">LVL-0</a>	<a href="#">Main Cover Position 1</a>	3	Unsigned 16 bit integer
6	<a href="#">LVL-0</a>	<a href="#">Main Cover Position 2</a>	3	Unsigned 16 bit integer
7	<a href="#">LVL-0</a>	<a href="#">MAM Cover Position</a>	3	Unsigned 16 bit integer
8	<a href="#">LVL-0</a>	<a href="#">Azimuth Brake Position</a>	3	Unsigned 16 bit integer
9	<a href="#">LVL-0</a>	<a href="#">SPS 1 Narrow FOV</a>	60	Unsigned 16 bit integer
10	<a href="#">LVL-0</a>	<a href="#">SPS 1 Wide FOV</a>	60	Unsigned 16 bit integer
11	<a href="#">LVL-0</a>	<a href="#">SPS 2 Narrow FOV</a>	60	Unsigned 16 bit integer
12	<a href="#">LVL-0</a>	<a href="#">SPS 2 Wide FOV</a>	60	Unsigned 16 bit integer
Record Size (bytes)				528

### 5.2.3.6 Satellite - Celestial Data

**BDS Product Types:**        **BDS, BDSS, BDSL, BDSF, BDSM, BDSG, BDSR**

This Vdata contains spacecraft and celestial converted values. The Link and Parameter Name column entries are hyperlinked to the parameter description.

Table 5-8. Satellite - Celestial Data Field Summary (1 of 2)

Field Num	Link	Parameter Name	Order	Data Type
1	<a href="#">SCI-33</a>	<a href="#">Satellite Position at record start</a>	3 (x, y, z)	64 bit float
2	<a href="#">SCI-32</a>	<a href="#">Satellite Position at record end</a>	3 (x, y, z)	64 bit float
3	<a href="#">SCI-35</a>	<a href="#">Satellite Velocity at record start</a>	3 (x, y, z)	64 bit float
4	<a href="#">SCI-34</a>	<a href="#">Satellite Velocity at record end</a>	3 (x, y, z)	64 bit float
5	<a href="#">SCI-16</a>	<a href="#">Colatitude of Subsatellite Point at Surface at record start</a>	1	32 bit float
6	<a href="#">SCI-27</a>	<a href="#">Longitude of Subsatellite Point at Surface at record start</a>	1	32 bit float
7	<a href="#">SCI-15</a>	<a href="#">Colatitude of Subsatellite Point at Surface at record end</a>	1	32 bit float
8	<a href="#">SCI-26</a>	<a href="#">Longitude of Subsatellite Point at Surface at record end</a>	1	32 bit float
9	<a href="#">SCI-22</a>	<a href="#">Earth-Sun Distance</a>	1	64 bit float
10	<a href="#">SCI-17</a>	<a href="#">Colatitude of Subsolar Point at Surface</a>	1	32 bit float

Table 5-8. Satellite - Celestial Data Field Summary (2 of 2)

Field Num	Link	Parameter Name	Order	Data Type
11	<a href="#">SCI-28</a>	<a href="#">Longitude of Subsolar Point at Surface</a>	1	32 bit float
Record Size (bytes)				128

### 5.2.3.7 Temperature Counts

**BDS Product Types:** **BDS, BDSS, BDSO, BDSM, BDSG, BDSO**

This data set contains the raw count values for instrument temperature parameters, copied from the Level-0 input data files. The data descriptions apply to both the Temperature Counts ([Table 5-9](#)) parameters and the Converted Temperatures listed in [Table 5-4](#). The Link column is hyperlinked from the tables to the parameter definition.

Table 5-9. Temperature Counts Field Summary (1 of 2)

Link	Field Num	Parameter Name	Order	Data Type
<a href="#">LVL-0</a>	1	<a href="#">Total Channel Heater DAC Value</a>	12	Unsigned 16 bit integer
<a href="#">LVL-0</a>	2	<a href="#">SW Channel Heater DAC Value</a>	12	Unsigned 16 bit integer
<a href="#">LVL-0</a>	3	<a href="#">WN Channel Heater DAC Value</a>	12	Unsigned 16 bit integer
<a href="#">LVL-0</a>	4	<a href="#">Blackbody Heater DAC Value</a>	12	Unsigned 16 bit integer
<a href="#">INS-82</a>	5	<a href="#">TOT Detector Control Temperature</a>	12	Unsigned 16 bit integer
<a href="#">INS-85</a>	6	<a href="#">TOT Detector Monitor Temperature</a>	12	Unsigned 16 bit integer
<a href="#">INS-81</a>	7	<a href="#">SW Detector Control Temperature</a>	12	Unsigned 16 bit integer
<a href="#">INS-84</a>	8	<a href="#">SW Detector Monitor Temperature</a>	12	Unsigned 16 bit integer
<a href="#">INS-83</a>	9	<a href="#">WN Detector Control Temperature</a>	12	Unsigned 16 bit integer
<a href="#">INS-86</a>	10	<a href="#">WN Detector Monitor Temperature</a>	12	Unsigned 16 bit integer
<a href="#">INS-89</a>	11	<a href="#">TOT Blackbody Temperature</a>	12	Unsigned 16 bit integer
<a href="#">INS-90</a>	12	<a href="#">WN Blackbody Temperature</a>	12	Unsigned 16 bit integer
<a href="#">INS-52</a>	13	<a href="#">Elevation Spindle Temperature-Motor</a>	3	Unsigned 16 bit integer
<a href="#">INS-51</a>	14	<a href="#">Elevation Spindle Temperature-CW</a>	3	Unsigned 16 bit integer
<a href="#">INS-48</a>	15	<a href="#">Elevation Bearing Temperature-Motor</a>	3	Unsigned 16 bit integer
<a href="#">INS-47</a>	16	<a href="#">Elevation Bearing Temperature-CW</a>	3	Unsigned 16 bit integer
<a href="#">INS-88</a>	17	<a href="#">SWICS Photodiode Temperature</a>	3	Unsigned 16 bit integer
<a href="#">INS-80</a>	18	<a href="#">Sensor Module Temperature</a>	3	Unsigned 16 bit integer
<a href="#">INS-79</a>	19	<a href="#">Sensor Electronics Temperature</a>	3	Unsigned 16 bit integer

Table 5-9. Temperature Counts Field Summary (2 of 2)

Link	Field Num	Parameter Name	Order	Data Type
<a href="#">INS-64</a>	20	<a href="#">Main Cover Motor Temperature</a>	3	Unsigned 16 bit integer
<a href="#">INS-67</a>	21	<a href="#">MAM Total Baffle Temperature 1</a>	3	Unsigned 16 bit integer
<a href="#">INS-68</a>	22	<a href="#">MAM Total Baffle Temperature 2</a>	3	Unsigned 16 bit integer
<a href="#">INS-65</a>	23	<a href="#">MAM Assembly SW Temperature</a>	3	Unsigned 16 bit integer
<a href="#">INS-66</a>	24	<a href="#">MAM Assembly Total Temperature</a>	3	Unsigned 16 bit integer
<a href="#">INS-34</a>	25	<a href="#">DAA Radiator Temperature</a>	3	Unsigned 16 bit integer
<a href="#">INS-33</a>	26	<a href="#">DAA Processor Electronics Temperature</a>	3	Unsigned 16 bit integer
<a href="#">INS-30</a>	27	<a href="#">DAA ADC Electronics Temperature</a>	3	Unsigned 16 bit integer
<a href="#">INS-44</a>	28	<a href="#">ECA Radiator Temperature</a>	3	Unsigned 16 bit integer
<a href="#">INS-43</a>	29	<a href="#">ECA Electronics Temperature</a>	3	Unsigned 16 bit integer
<a href="#">INS-1</a>	30	<a href="#">ACA Electronics Temperature</a>	3	Unsigned 16 bit integer
<a href="#">INS-15</a>	31	<a href="#">Azimuth Lower Bearing Temperature</a>	3	Unsigned 16 bit integer
<a href="#">INS-18</a>	32	<a href="#">Azimuth Upper Bearing Temperature</a>	3	Unsigned 16 bit integer
<a href="#">INS-62</a>	33	<a href="#">ICA Radiator Temperature</a>	3	Unsigned 16 bit integer
<a href="#">INS-61</a>	34	<a href="#">ICA Processor Electronics Temperature</a>	3	Unsigned 16 bit integer
<a href="#">INS-60</a>	35	<a href="#">ICA ADC Electronics Temperature</a>	3	Unsigned 16 bit integer
<a href="#">INS-75</a>	36	<a href="#">PCA Radiator Temperature</a>	3	Unsigned 16 bit integer
<a href="#">INS-74</a>	37	<a href="#">PCA Electronics Temperature</a>	3	Unsigned 16 bit integer
<a href="#">INS-76</a>	38	<a href="#">Pedestal Temperature 1-Brake Housing</a>	3	Unsigned 16 bit integer
<a href="#">INS-77</a>	39	<a href="#">Pedestal Temperature 2-Isolator</a>	3	Unsigned 16 bit integer
Record Size (bytes)				

### 5.2.3.8 Voltage - Torque Counts

**BDS Product Type:**        **BDS, BDSS, BDSD, BDSM, BDSG, BDSP**

This data set contains the raw count values for instrument voltage, current, and gimbal torque parameters, copied from the Level-0 input data files. The data descriptions linked from this table also apply to the Converted Voltages and Torques listed in [Table 5-5](#).

Table 5-10. Voltage - Torque Counts Field Summary (1 of 2)

Link	Field Num	Parameter Name	Order	Data Type
<a href="#">INS-41</a>	1	<a href="#">Detector +120V Bias</a>	3	Unsigned 16 bit integer

Table 5-10. Voltage - Torque Counts Field Summary (2 of 2)

Link	Field Num	Parameter Name	Order	Data Type
INS-42	2	Detector -120V Bias	3	Unsigned 16 bit integer
LVL-0	3	SWICS Photodiode Output	3	Unsigned 16 bit integer
INS-87	4	SWICS Lamp Current	3	Unsigned 16 bit integer
INS-56	5	ICA +5V Digital	3	Unsigned 16 bit integer
INS-54	6	ICA +15V to ECA/ACA	3	Unsigned 16 bit integer
INS-59	7	ICA -15V to ECA/ACA	3	Unsigned 16 bit integer
INS-55	8	ICA + 5V Analog	3	Unsigned 16 bit integer
INS-53	9	ICA +10V Bias	3	Unsigned 16 bit integer
INS-58	10	ICA +15V Internal	3	Unsigned 16 bit integer
INS-57	11	ICA -15V Internal	3	Unsigned 16 bit integer
INS-31	12	DAA Ground Reference 1	3	Unsigned 16 bit integer
INS-32	13	DAA Ground Reference 2	3	Unsigned 16 bit integer
INS-26	14	DAA -10V Reference	3	Unsigned 16 bit integer
INS-23	15	DAA +130V	3	Unsigned 16 bit integer
INS-28	16	DAA -130V	3	Unsigned 16 bit integer
INS-22	17	DAA +12V	3	Unsigned 16 bit integer
INS-27	18	DAA -12V	3	Unsigned 16 bit integer
INS-24	19	DAA +15V	3	Unsigned 16 bit integer
INS-29	20	DAA -15V	3	Unsigned 16 bit integer
INS-25	21	DAA +5V	3	Unsigned 16 bit integer
INS-21	22	DAA +10V Reference	3	Unsigned 16 bit integer
INS-45	23	ECA Torque Output	12	Unsigned 16 bit integer
INS-2	24	ACA Torque Output	12	Unsigned 16 bit integer
Record Size (bytes)				180

## 6.0 Theory of Measurements and Data Manipulations

### 6.1 Theory of Measurements

See [Reference 3](#) for the basic theory of measurements.

### 6.2 Data Processing Sequence

The Instrument Subsystem (1.0) produces validated Level-1b geolocated radiance data from the raw Level-0 [CERES](#) instrument data. It reads and processes all science, calibration, and diagnostic data packets produced by CERES instruments on both the [TRMM](#) and the [EOS](#) platforms. The [BDS](#) data products are produced via the following processing sequence:

1. Level-0, Ephemeris, and Attitude data are ingested into the [DAAC](#). The data for the TRMM spacecraft come from the Sensor Data Processing Facility (SDPF) and the data for the Terra/Aqua come from the EOS Data Operations System ([EDOS](#)).
2. The Ephemeris and Attitude data are preprocessed through DPREP (an [EOSDIS](#) Core System (ECS) program to format the data into a SDP ToolKit readable format).
3. The Geolocate and Calibrate Earth Radiances Level-0 data processing software then:
  - a) Reads the Level-0, Ephemeris, and Attitude data.
  - b) Converts the raw instrument data to engineering units.
  - c) Using the converted instrument data, convert the radiances from raw digital counts to filtered radiance values. Each radiance measurement is geolocated at both the Earth's surface and at the [TOA](#) (See [Term-14](#)) in geodetic and geocentric coordinates, along with the corresponding calculated viewing angles.
  - d) Finally, output the data products and QC reports.

For additional detailed information, see the Subsystem Architectural Design Document ([Reference 6](#)).

### 6.3 Special Corrections/Adjustments

The following algorithms either expand on information discussed in [ATBD 1.0](#) ([Reference 3](#)) or have not been documented elsewhere.

### 6.3.1 Spaceclamp Algorithm

The spaceclamp algorithm is designed to compensate for the effects of drift in the space reference measurements during the time interval of a single scan. This is accomplished by using the component of the radiometric count conversion equation (See Section 1.3.3, [Reference 3](#)) represented as:

$$\frac{t - t_k}{\Delta t} \cdot A_S \cdot [\bar{m}(t_{k+1}) - \bar{m}(t_k)]$$

where:

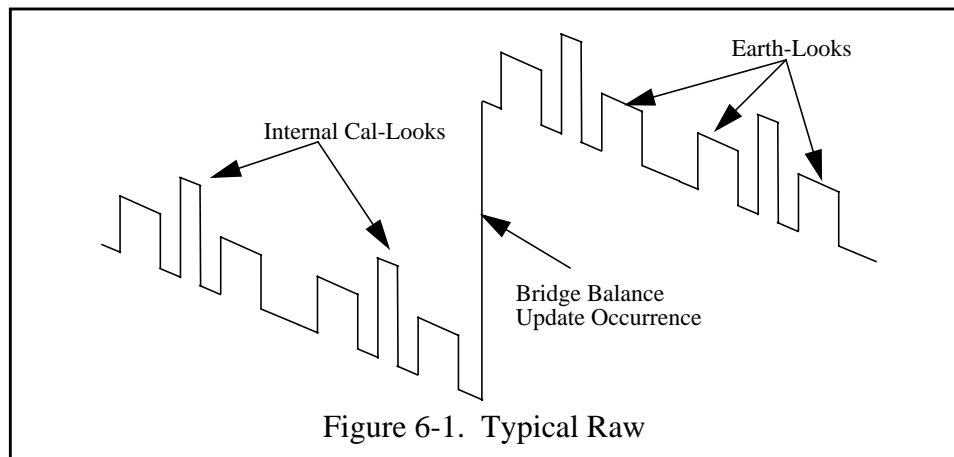
- $t$  = the sample (time) of a specific detector measurement within the scan.
- $t_k$  = the sample (time) in the current scan that corresponds to the middle of the spacelook sample region used to compute a spaceclamp average.
- $t_{k+1}$  = the sample (time) in the next contiguous scan that corresponds to the middle of the spacelook regions used to compute the spaceclamp average.
- $\Delta t$  = the scan duration, corresponding to 660 samples (6.6 seconds).
- $\bar{m}(t_k)$  = is the average detector output (in counts) within the current scan of a set of measurements corresponding to spacelooks.
- $\bar{m}(t_{k+1})$  = is the average detector output (in counts) within the next contiguous scan of a set of measurements corresponding to spacelooks.
- $A_S$  = a gain coefficient.

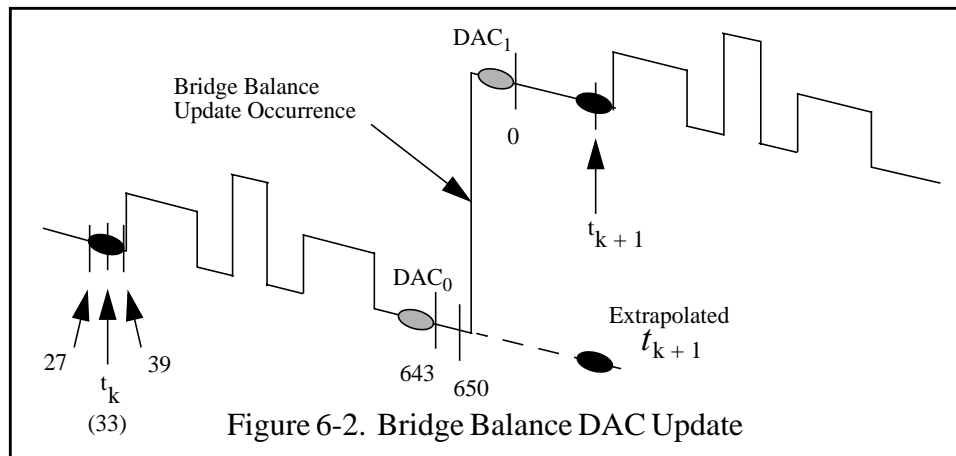
The implementation of the spaceclamp algorithm requires first identifying which spacelook measurements to use for averaging and then "normalizing" the average to the beginning of the scan. The measurements used for averaging are from the first space look region of the elevation profile (See [Figure 4-11](#)). For the PFM instrument normal-earth scan profile, the number of spacelook views correspond to samples 0 .. 39. It would be statistically desirable to include all of these measurements within the region. However, to allow for the spurious slow mode effects (See [Section 6.3.2](#)), only the last 13 space measurements prior to detection of elevation assembly movement are used. For the PFM instrument, this corresponds to samples 27 .. 39. To "normalize" the spacelook average to the beginning of the scan, the variable  $t_k$  is set to a sample number corresponding to the midpoint of the sample range used in the averaging process. For the PFM instrument,  $t_k$  corresponds to sample number 33.

To illustrate how this algorithm works, the following is an example in which the current scan also contains a DAC update as shown in Figure 6-1 and Figure 6-2. The middle sample of the region 27 .. 39 sets  $t_k$  and  $t_{k+1}$  to sample 33 (i.e.,  $39 - 27 + 1$ ). Then  $\bar{m}(t_k)$  becomes:

$$\bar{m}(t_k) = \frac{\sum_{t=27}^{39} m_t}{39 - 27 + 1}$$

The scans from which  $\bar{m}(t_{k+1})$  and  $\bar{m}(t_k)$  are taken must be contiguous in time for the algorithm to work. If the scans are not consecutive and contiguous in time, or DAC resets occurred, or the Moon is in the spacelook FOV, then radiometric count conversions are invalidated for the measurements taken within the scan in question. In addition, for the spaceclamp algorithm to function correctly, compensation for bridge balance DAC updates must be made. This is accomplished by an generating a suitable  $\bar{m}(t_{k+1})$  via an extrapolation process currently used in the subsystem. This extrapolation uses the difference between an average of count values before and after the bridge balance update. This is illustrated in Figure 6-2 by  $DAC_1$  and  $DAC_0$ . Typically,  $DAC_0$  will be an average of values corresponding to samples 639 .. 643 and  $DAC_1$  will be an average of values corresponding to samples 654 .. 659.





In addition, to ensure only quality spaceclamp values are used in radiance calculations, various statistical edit checks are performed. The results of these tests are identified in the [Ancillary QA Flags Set 2 \(Spaceclamp Algorithm\)](#) (See [SCI-2](#)) TOT/SW/WN SpaceClamp Status (See [QAB-3](#)). These results are based on the order that the quality edit and validation tests are performed. Since the spaceclamp algorithm requires two scans, tests are performed first on the current scan being processed, then on the next scan, then on the multi-scan extrapolation processes. This sequence and the resultant flag value is illustrated in [Table 6-1](#).

Table 6-1. Spaceclamp Validation Order (1 of 2)

Scan	Flag (as coded)	Test Algorithm
Current	Too_few_samples	Too few values
Current	Moon_Check_Error <sup>(1)</sup>	Toolkit error with moon ephemeris
Current	Moon_in_FOV	Moon in spacelook FOV
Current	Invalid_Zero_Reference	Spacelook values > standard deviation
Next	No_2nd_Value <sup>(2)</sup>	Contiguous Scans
Next	No_2nd_Value <sup>(2)</sup>	Too few values
Next	No_2nd_Value <sup>(2)</sup>	Toolkit error with moon ephemeris
Next	No_2nd_Value <sup>(2)</sup>	Moon in spacelook FOV
Next	No_2nd_Value <sup>(2)</sup>	Spacelook values > standard deviation
Both	DAC_Reset	Reset occurrence in current scan <sup>(3)</sup>
Both	Unrecoverable_DAC_Update	DAC updated occurred, but can't adjust due to: (a) number samples before/after update unusable, or (b) average value before update too low (e.g. <10)
Both	Adjusted_DAC_Update	Spaceclamp algorithm to use modified values.



Table 6-1. Spaceclamp Validation Order (2 of 2)

Scan	Flag (as coded)	Test Algorithm
Both	Limit_Error	Spaceclamp(N)-Spaceclamp(N+1) > Threshold
<p>(1)Error typically occurs when ephemeris data cannot be used to for moon view checks; all radiances are set to fill.</p> <p>(2)No_2nd_Value is set within the current scan being processed. When scan N+1 is processed as a current scan, then the QA flags will be set appropriately.</p> <p>(3)This test really should be done first and may be implemented in later software versions. Currently, a DAC reset will "appear" as either an invalid_zero_reference (for current scan) or as a no_2nd_value (for next scan).</p>		

### 6.3.2 Spurious Slow Mode Compensation

Once detector measurements have been successfully converted into radiometric values, a final algorithm is applied to correct for the spurious slow mode of the instrument detectors. The spurious slow mode is essentially a small but measurable 2nd order delay in the response time of the detectors. The Instrument Subsystem implements a compensating function that conforms to the requirements of the numerical filtering algorithm specified by Dr. Smith ([Reference 11](#)).

### 6.3.3 Point Spread Function (PSF) lag algorithm

Radiant energy, when seen through the optical aperture of a scanning instrument, can be characterized as a point spread function, similar to a Gaussian distribution. When this energy is sampled by the bolometer sensor, there is a delay from the time the energy is incident on the sensor to the time it is actually sampled. When the sensor is moving relative to the target scene, this sampling delay causes the determination of the energy's PSF (See [Term-1](#)) centroid to lag behind the instantaneous FOV (See [Term-6](#)) optical axis. The faster the motion, the more the centroid lags behind the optical center. This is not true in time, but is true in angle. Lag is caused by the sensor response time and not in scan motion.

For science analysis, the geolocation of an energy measurement requires that the PSF centroid be used for location and for not the sensor optical axis. However, since the FOV pointing geolocation process begins by using the elevation gimbal position referenced to this boresight, this time lag can be expressed in angular degrees. This lag has been determined by the Science Team and is currently specified as 1.56 degrees for the nominal Earth viewing elevation scanning rate. For the "rapid retrace" portion of the short-earth elevation scan profile, the angular PSF lag is proportionately increased by the ratio of the fast scan rate to the nominal rate. This correction corresponds to 6.17 degrees.

The PSF elevation angular position (in degrees) for any given sample is calculated using the following algorithm:

$$\text{PSF\_Position} = \text{Gimbal\_Position} - (\text{Direction\_Factor} * \text{Lag}_{\text{Scan\_Rate}})$$

where:

$$\begin{aligned} \text{Gimbal\_Position} &= \text{Current elevation angular position (in degrees)} \\ \text{Direction\_Factor} &= (+1) \text{ for "forward" increasing scan gimbal angles or} \\ &= (-1) \text{ for "backward" decreasing scan gimbal angles} \end{aligned}$$

$Lag_{Scan\_Rate}$  = Lag value as a function of the elevation scan rate ( $0.0^\circ$  for no motion), currently:

Table 6-2. Applied PSF Lag Angle (Degrees)

Instrument	Normal Scan Rate	Elevated Scan Rate
PFM	$1.56^\circ$	$6.17^\circ$
FM1	$1.54^\circ$	$6.09^\circ$
FM2	$1.53^\circ$	$6.05^\circ$
FM3	N/A	N/A
FM4	N/A	N/A

The determination of which  $Lag_{Scan\_Rate}$  to use is derived using the following logic: compute the elevation angle difference between the current and previous sample and divide by 0.01 seconds to get an instantaneous scan rate. Then categorize this rate into one of the three conditions: no motion (e.g., spacelooks), a nominal scan rate, or an elevated scan rate.

### 6.3.4 Edit-limit and rate checks

To ensure the quality of the radiance and geolocation data, evaluation of instrument engineering (analog) and status (digital) parameters are performed. One of the ways this is accomplished is by using an edit limit comparison process that checks nominal expected values against predefined limit values. There are two comparison tests that are routinely performed: static edit limit tests and rate of change limit tests.

Static limit tests involve comparing most of the engineering parameter measurement values against predefined upper and lower limits. These limits are categorized into RED and YELLOW limits. YELLOW limit values typically represent conditions which can indicate possible degraded instrument performance or science data quality. RED limit values typically represent conditions where the instrument can be potentially damaged or where the science data quality is unacceptable. Most of the predefined limits are chosen based on mission operational health and safety requirements (e.g., Gimbal hitting hardstops), conditions that produce bad radiance or geolocation data (e.g., heatsink temperatures), and engineering and science experiences (e.g., [ERBE](#)).

Rate limit tests are used as a means of identifying greater than expected changes in values from one measurement to the next. Tests are useful for identifying possible glitches, transients, or shifts in the Instrument performance that could cause degraded science data quality. Rate tests are performed by taking the difference between two consecutive measurements and comparing the difference to a predefined value. This step is repeated sequentially through the data. However, the first measurement in a packet is not compared to the last measurement in the previous packet. This setup is a fallout of the philosophy of assuming no prior knowledge about the state of the instrument from one packet to the next.

## 7.0 Errors

The accuracy goal for calibrated filtered radiances is 1.0% for the shortwave,  $0.3 \text{ Wm}^{-2} \text{ sr}^{-1}$  for the window, and 0.5% for the total channels for scene levels greater than  $100 \text{ Wm}^{-2} \text{ sr}^{-1}$ . For scene levels less than  $100 \text{ Wm}^{-2} \text{ sr}^{-1}$ , the goals are  $0.8 \text{ Wm}^{-2} \text{ sr}^{-1}$ ,  $0.3 \text{ Wm}^{-2} \text{ sr}^{-1}$ , and  $0.6 \text{ Wm}^{-2} \text{ sr}^{-1}$ , respectively. The conversion equations, coefficients, offsets, and any correction adjustments are determined by the [CERES Science Team](#) and the instrument builder, TRW, based on pre-launch ground test data and initial in-orbit instrument checkout results. See [Reference 3](#) for a general discussion of error budgets.

### 7.1 Quality Assessment

Quality Assessment (QA) activities are performed at the Science Computing Facility (SCF) by the Data Management and Science Teams. Processing reports containing statistics and processing results are examined for anomalies. If the reports show anomalies, data visualization tools are used to examine those products in greater detail to begin the anomaly investigation. See the QA flag descriptions for this product listed in [Table 4-3](#), [Table 4-4](#), and [Table 4-5](#).

### 7.2 Data Validation by Source

See Subsystem 1.0 Validation Document ([Reference 7](#)) for details on data validation plans and see [Reference 9](#) and [Reference 10](#) for details on the geolocation coastline detection algorithm used to validate the geolocation parameters.

## 8.0 Notes

### Note-1 Flight (Orbital) Data Conversion

The conversion from monitor element resistances to engineering units for all instruments are governed by the following algorithms, as described in TRW DRL-64 (See [Reference 2](#)).

1. **Algorithm 1** - The Platinum Resistance Thermometer (PRT) conversion equations for the blackbody total and window channels are:

$$T_{prt} = C1 - \sqrt{C2 - (C3 \cdot R_t)}$$

where:

$$R_t = \frac{14784.25 + counts}{7.859547 - 5 \times 10^{-5} \cdot counts}$$

Table 8-1. Algorithm 1 Blackbody Coefficients

Instrument	Total Channel			Window Channel		
	C1	C2	C3	C1	C2	C3
PFM	3358.45595	12981207.69	851.4909514	3358.904792	12984225.97	851.893192
FM1	3359.020854	12985004.09	852.822931	3356.751461	12969764.77	851.645879
FM2	3359.566235	12988668.66	852.0631807	3358.57417	12982001.30	851.6526198
FM3	3392.2	13208000.0	849.31	3392.2	13208000.0	849.31
FM4	3392.2	13208000.0	849.31	3392.2	13208000.0	849.31

2. **Algorithm 2** - The Sensor Control Temperature (SCT) conversion equations for the [SW](#), [TOT](#), and [WN](#) channels are:

$$T_{sct} = (R_t - C) / D$$

where:

$$R_t = (E + counts) / (F - G \cdot counts)$$

and the values of *C*, *D*, *E*, *F*, and *G* are shown in [Table 8-2](#), [Table 8-3](#), and [Table 8-4](#) for each of the radiometric channels.

Table 8-2. Algorithm 2 Temperature Coefficients - Shortwave Channel (1 of 2)

Instrument	Shortwave Channel				
	C	D	E	F	G
PFM	865.16	4.179167	275520.4	271.471234	2.018x10 <sup>-4</sup>
<a href="#">FM1</a>	868.62	4.5825	278009.6	269.021132	2.018x10 <sup>-4</sup>
FM2	864.53	4.6158	277306.5	269.021132	2.10x10 <sup>-4</sup>

Table 8-2. Algorithm 2 Temperature Coefficients - Shortwave Channel (2 of 2)

Instrument	Shortwave Channel				
	C	D	E	F	G
FM3	N/A	N/A	N/A	N/A	N/A
FM4	N/A	N/A	N/A	N/A	N/A

Table 8-3. Algorithm 2 Temperature Coefficients - Total Channel

Instrument	Total Channel				
	C	D	E	F	G
PFM	860.85	4.5525	275520.4	269.021132	2x10 <sup>-4</sup>
FM1	868.28	4.6017	278009.6	269.021132	2x10 <sup>-4</sup>
FM2	866.10	4.5775	277306.5	269.021132	2x10 <sup>-4</sup>
FM3	N/A	N/A	N/A	N/A	N/A
FM4	N/A	N/A	N/A	N/A	N/A

Table 8-4. Algorithm 2 Temperature Coefficients - Window Channel

Instrument	Window Channel				
	C	D	E	F	G
PFM	862.30	4.4925	275520.4	269.021132	2x10 <sup>-4</sup>
FM1	868.61	4.5808	278009.6	269.021132	2x10 <sup>-4</sup>
FM2	865.96	4.5741	277306.5	269.021132	2x10 <sup>-4</sup>
FM3	N/A	N/A	N/A	N/A	N/A
FM4	N/A	N/A	N/A	N/A	N/A

3. **Algorithm 3** - The Thermistor Temperature Conversion (TTC) equations for instrument parameters measured by thermistor monitors are:

$$T_{ttc} = \frac{7.8431 \times 10^6}{7.3365 \times 10^3 + 1.7341 \times 10^3 \cdot \log R_t + (\log(R_t))^3} - 273.15$$

where:

Algorithm 3A (Detector Monitors):

$$R_t = \frac{27405.4 + counts}{1.702397 + 1 \times 10^{-5} \cdot counts}$$

Algorithm 3B - (Sensor Electronics Assembly Thermistors):

$$R_t = \frac{273.72995 + counts}{0.04290979 + 8.264 \times 10^{-6} \cdot counts}$$

Algorithm 3C - (General Temperature Monitors):

$$R_t = \frac{273.72995 + counts}{0.04290979 + 8.264 \times 10^{-6} \bullet counts} - 1200.$$

4. **Algorithm 4** - The Linear Conversion (LC) equation for instrument parameters is:

$$Data = m \bullet counts + b$$

where:

Table 8-5. Algorithm 4 Linear Coefficients

Data Type	Slope (m)	Intercept (b)	Units
4A	0.004884	0	Volts
4B	0.005861	-20	Volts
4C	0.060048	0	Volts
4D	0.003995	-135.819	Volts
4E	0.002442	115.001	Volts
4F	0.002442	-125.000	Volts
4G	0.003907	0.0	Volts
4H	0.046617	-95.712	in-oz.
4I	0.129861	-266.625	in-oz.
4J	0.0019536	0	Volts
4K	0.0054932	0	Degrees
4L	0.028145	0	mA
4M	6.6	0	sec
4N	0.001	0	msec
4O	0.00293	0	Volts

Note: Algorithm 4K needs to be slightly modified when converting azimuth position values. This modification is needed to correct for an additional alignment bias uncovered during FM1/2 ground testing. This equation becomes:

$$Data = m \bullet (counts + c) + b$$

where the bias correction coefficient (c) is listed in [Table 8-6](#).

Table 8-6. Algorithm 4K Azimuth Gimbal Bias Coefficient (Counts)

PFM	FM1	FM2	FM3	FM4
0	+27	-18	N/A	N/A

5. **Algorithm 5** - Solar Aspect Sensor (N/A).

6. **Algorithm 6** - Solar Presence Sensor (See [Appendix C](#)).
7. **Algorithm 7** - Gimbal Rate (in deg/sec):  $Rate = 5493.1641 / (counts + 2)$





footprint is located by  $\beta$  and  $\delta$ . The cone angle  $\alpha$  (or nadir angle) determines the location of the footprint centroid on the Earth. If  $\alpha = 0$ , the footprint is at nadir. The viewing zenith angle  $\theta$  is a direct result of the satellite altitude  $h$ , the Earth radius  $r_E$ , and the cone angle  $\alpha$ . The surface distance  $l$  and the Earth central angle  $\gamma$  between nadir and the centroid are also a result of the viewing geometry. In Figure 8-1 we have denoted the length of the FOV by  $\Delta l$ .

Figure 8-2 gives three CERES FOVs. The shaded area is the optical FOV. Note that only half of the FOV is given since it is symmetrical about the scan line. The origin has been placed at the centroid of the PSF which trails the optical axis by approximately 1.5 degree. This is the lag that is inherent in the system. About the PSF centroid, the outline has been drawn on the 95-percent energy boundary. An angular grid, also has been drawn over the 95% energy FOV for weighting cloud parameters in a later process. All of the pertinent dimensions are given.

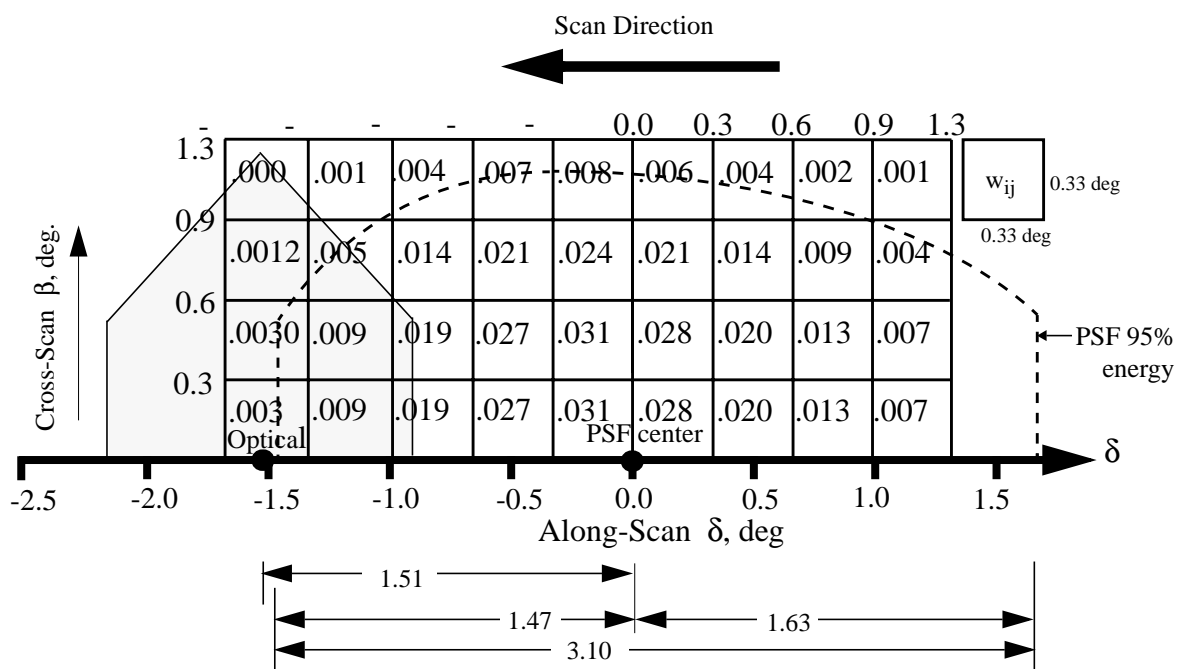


Figure 8-2. CERES Field-of-View Angular Grid

**Note-0.3 Analytic form of the Point Spread Function**

A full discussion of an analytic model of the point spread function and its development are given in Smith (See Reference 12). From Figure 8-1, we redraw half of the optical FOV in Figure 8-3 where  $\delta'$  is the along-scan angle and  $\beta$  is the cross-scan angle. Note that  $\delta'$  points opposite the scan direction and increases toward the tail of the PSF (See Figure 8-2). The forward and back boundaries are given by  $\delta'_f(\beta)$  and  $\delta'_b(\beta)$ , respectively. With these definitions the CERES PSF is written as

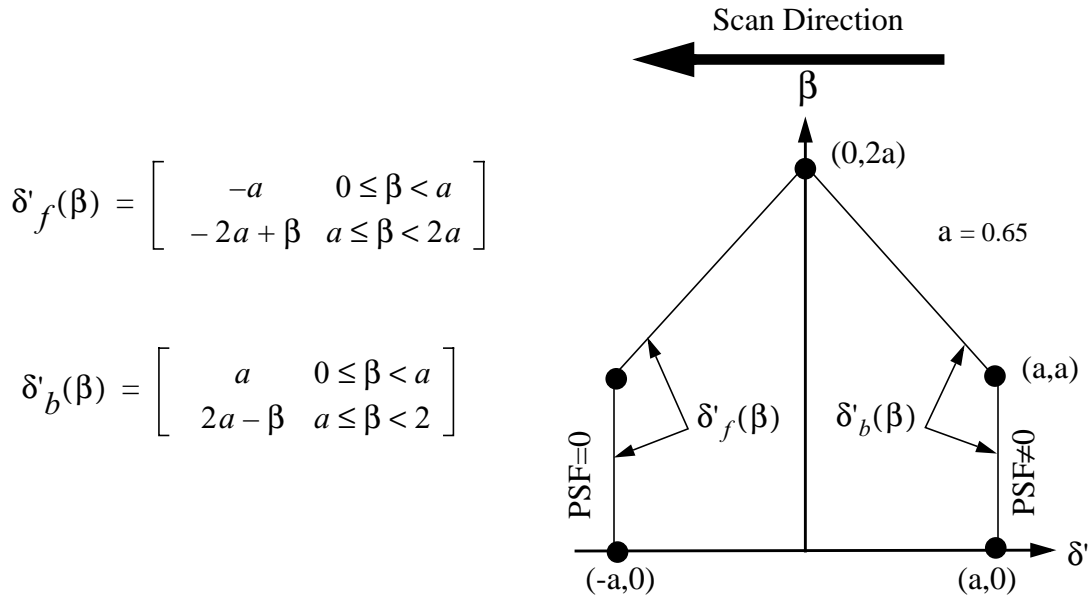


Figure 8-3. Optical FOV

$$P(\delta', \beta) = \begin{bmatrix} 0 & |\beta| > 2a \\ 0 & \delta' < \delta'_f(\beta) \\ F[\delta' - \delta'_f(\beta)] & \delta'_f(\beta) \leq \delta' < \delta'_b(\beta) \\ F[\delta' - \delta'_f(\beta)] - F[\delta' - \delta'_b(\beta)] & (otherwise) \end{bmatrix} \quad (1)$$

where

$$F(\xi) = 1 - \left[ (1 + a_1 + a_2)e^{-1.78348\xi} \right] + \left[ e^{-3.04050\xi} [a_1 \cos(0.91043\xi) + b_1 \sin(0.91043\xi)] \right] + \left[ e^{-2.20860\xi} [a_2 \cos(2.78981\xi) + b_2 \sin(2.78981\xi)] \right] \quad (2)$$

and

$$\begin{aligned} a_1 &= 5.83761 & a_2 &= -0.18956 \\ b_1 &= 2.87362 & b_2 &= 1.02431 \end{aligned}$$

where  $\xi$  is in degrees, and  $(0.91043\xi)$  and  $(2.78981\xi)$  are in radians. The centroid of the PSF is derived in Smith (See Reference 12) and is  $1.51^\circ$  from the optical axis. This shift is denoted in

Figure 8-2 and a new angle  $\delta$  is defined relative to the centroid. To evaluate the PSF, determine  $\delta$  and then set  $\delta' = \delta + \delta_0$ , where  $\delta_0$  is the shift (or offset) from the optical axis to the centroid.

The numerical values given in equation (2) are based on the following prelaunch calibration constants:

$$f_c = 10.5263 \text{ Hertz} \quad \text{Characteristic frequency of the Bessel Filter}$$

$$\dot{\alpha} = 63.0 \text{ deg/sec} \quad \text{Scan rate}$$

Table 8-7. Detector Time Constant ( $\tau$  seconds)

Instrument	Detector Channel		
	Total	Window	Shortwave
PFM	0.00860	0.00830	0.00815
FM1	0.00850	0.00795	0.00825
FM2	0.00800	0.00820	0.00820
FM3	N/A	N/A	N/A
FM4	N/A	N/A	N/A

The general form of (2) is given by

$$F(\xi) = 1 - \left[ (1 + a_1 + a_2)e^{-\eta t} \right] \quad (3)$$

$$+ \left[ e^{\mu_1 t} [a_1 \cos(\omega_1 t) + b_1 \sin(\omega_1 t)] \right]$$

$$+ \left[ e^{\mu_2 t} [a_2 \cos(\omega_2 t) + b_2 \sin(\omega_2 t)] \right]$$

where

$$t = \frac{2\pi f_c}{\dot{\alpha}} \xi$$

and where the complex roots of the 4-pole Bessel filter are

$$v_1 = -2.89621 + 0.86723i = \mu_1 + i\omega_1$$

$$v_2 = -2.10379 + 2.65742i = \mu_2 + i\omega_2$$

the residues of the Bessel filter are

$$u_1 = +1.66339 - 8.39628i$$

$$u_2 = -1.66339 + 2.24408i$$

and

$$\eta = \frac{1}{2\pi f_c \tau} .$$

Note that  $\omega_i$ ,  $\eta$ , and  $t$  are non-dimensional so that  $(\omega_i t)$  is in radians. The cone angle  $\xi$  has units of degrees. The complex variables  $p_i$ ,  $v_i$ ,  $u_i$  define  $a_i$  and  $b_i$  as

$$p_i = \frac{u_i}{\eta + v_i}, \quad a_i = 2\eta \operatorname{Re}\left(\frac{p_i}{v_i}\right), \quad b_i = -2\eta \operatorname{Im}\left(\frac{p_i}{v_i}\right), \quad i = 1, 2$$

The centroid of the [PSF](#) can be derived from the analytic expression given by

$$\delta_0 = \alpha\tau(1 + \eta) \tag{4}$$

**Note-0 Field of View (FOV)**

Field-of-View and footprint are synonymous. The **CERES FOV** is determined by its **PSF** (See **Note-0** and **Term-1**) which is a two-dimensional, bell-shaped function that defines the CERES instrument response to the viewed radiation field.

The resolution of the CERES radiometers is usually referenced to the optical FOV which is  $1.3^\circ$  in the along-track direction and  $2.6^\circ$  in the cross-track direction. For example, on **TRMM** with a satellite altitude of 350 km, the optical FOV at nadir is  $8 \times 16$  km which is frequently referred to as an equivalent circle with a 10 km diameter, or simply as 10 km resolution. On Terra with a satellite altitude of 705 km, the optical FOV at nadir is  $16 \times 32$  km or 20 km resolution.

The CERES FOV or footprint size is referenced to an oval area that represents approximately 95% of the **PSF** response (See **Note-0** and **Term-1**) for numerical representation of FOV). Since the PSF is defined in angular space at the instrument, the CERES FOV is a constant in angular space, but grows in surface area from a minimum at nadir to a larger area at shallow viewing angles (See **SCI-18**). For TRMM, the length and width of this oval at nadir is  $19 \times 15$  km and grows to  $138 \times 38$  km at a viewing zenith angle (See **SCI-9**) of  $70^\circ$ . For Terra/Aqua, the length and width at nadir is  $38 \times 31$  km and grows to  $253 \times 70$  km at a viewing zenith angle of  $70^\circ$ .

## Note-0 Conversion of Julian Date to Calendar Date

The Julian Date is a time system that has been adopted by astronomers and is used in many scientific experiments. The Julian Date or Julian Day is the number of mean solar days since 1200 hours (GMT/UT/UTC/Zulu) on Monday, 24 November 4714 BCE, based on the current Gregorian calendar, or more precisely, the Gregorian Proleptic calendar. In other words, Julian day number 0 (zero) was Monday, 24 November 4714 Before Current Era (BCE), 1200 hours (noon). A new Julian day starts when the mean Sun at noon crosses the Greenwich meridian. This differs from Universal Time (UT) or Greenwich Mean Solar Time by 12 hours since UT changes day at Greenwich midnight. [Table 8-8](#) below provides Julian day numbers which relate Universal Time to Julian date.

Important facts related to the Gregorian calendar are:

- a) There is no year zero; year -1 is immediately followed by year 1.
- b) A leap year is any year which is divisible by 4, except for those centesimal years (years divisible by 100) which must also be divisible by 400 to be considered a leap year.
- c) A leap year has 366 days, with the month of February containing 29 days.
- d) Year -1 is defined as a leap year, thus being also defined as containing 366 days, and being divisible by 4, 100, and 400.

Information on history, calendars, and Julian day numbers can be found in Blackadar's ([Reference 13](#)) "A Computer Almanac", and on the WWW ([Reference 14](#)).

The Julian day whole number is followed by the fraction of the day that has elapsed since the preceding noon (1200 hours UTC). The Julian Date JDATE can be represented as:

$$\text{JDATE} = \text{JDay} + \text{JFract}$$

where:

JDay = the integer Julian Day number and

JFract = the "fractional" Julian day (0 to 0.99...9)

(e.g. 245\_0814.0 = 1200 or noon, 31 December, 1997 UT)

When the fractional part of the combined Julian date is .0, it is noon or 1200 hours GMT and when the fraction part is .5, then it is midnight or 0000 hours GMT.

The calculation of GMT (YYYYMMDD-HH:MM:SS.SSS) from Julian date (JDATE) is performed using the following process.

1. The YYYYMMDD can be determined using [Table 8-8](#) to find the year and the beginning of the month whose Julian Day occurs before the JDay integer value.
2. Calculate the number of days past the 0.5 day of the month via [Table 8-8](#) which provides Julian day numbers which relate Universal Time to Julian date.

The GMT is determined by first computing the number of seconds in the day since midnight:

if JFract > 0.5,

then Seconds = 86400.0 \* (JFract-0.5)

if JFract  $\leq$  0.5,  
 then Seconds = 86400.0 \* (JFract+0.5)

Then compute HH, MM, and SS where:

HH = Int(Seconds/3600)  
 MM = Int(Seconds-(HH\*3600.0)/60)  
 SS = Seconds-(HH\*60.0 + MM)\*60.0

As an example, if JD = 244\_5733.5833, then the GMT date is computed using Table 8-8 by finding the closest beginning monthly calendar noon date, which is Feb 0.5, 1984 (UT).

(Feb 0.5) Jday  
 244\_5731 < 244\_5733.5833

JD = 244\_5733.5833 is 2.5833 days past Feb 0.5, 1984 UT (i.e., past 1984 Jan 31<sup>d</sup> 12<sup>h</sup> 0<sup>m</sup> 0<sup>s</sup>) where 1984 Jan 31<sup>d</sup> 12<sup>h</sup> 0<sup>m</sup> 0<sup>ss</sup> = (244\_5733-244\_5731).

Beginning with the whole days portion of 2.5833 (i.e., 2), the GMT Date is 1984 Jan 31<sup>d</sup> 12<sup>h</sup> 0<sup>m</sup> 0<sup>s</sup> + 2 = 1984 Feb 2<sup>d</sup> 12<sup>h</sup> 0<sup>m</sup> 0<sup>s</sup>.

Next, since JFract (0.5833) is > 0.5, 12<sup>h</sup> is added to the GMT Date, yielding: 1984 Feb 2<sup>d</sup> 12<sup>h</sup> 0<sup>m</sup> 0<sup>s</sup> + 12<sup>h</sup> 0<sup>m</sup> 0<sup>s</sup> = 1984 Feb 3<sup>d</sup> 0<sup>h</sup> 0<sup>m</sup> 0<sup>s</sup>.

Finally, to get the GMT time and since JFract (0.5833) is > 0.5, the number of seconds = 86400 \*(0.5833 -0.5) = 7197.12 yielding:

HH = 7197.12 / 3600 = 01.9992 = 01<sup>h</sup>  
 MM = 7197.12 - ((1\*3600) / 60) = 59.952 = 59<sup>m</sup>  
 SS = 7197.12 - ((1\*60) + 59)\*60 = 57.12<sup>s</sup>

Therefore, the GMT Date corresponding to the Julian Date 244\_5733.5833 = 1984 Feb 3<sup>d</sup> 1<sup>h</sup> 59<sup>m</sup> 57.12<sup>s</sup>, which is UT = 1984 Jan 31<sup>d</sup> 12<sup>h</sup> 0<sup>m</sup> 0<sup>s</sup> + 2.5833 days.

Table 8-8. Julian Day Number (1 of 2)

Year	Jan 0.5 <sup>a</sup>	Feb 0.5	Mar. 0.5	Apr. 0.5	May 0.5	June 0.5	July 0.5	Aug 0.5	Sept 0.5	Oct 0.5	Nov 0.5	Dec 0.5
1980†	244_4239	_4270	_4299	_4330	_4360	_4391	_4421	_4452	_4483	_4513	_4544	_4574
1981	_4605	_4636	_4664	_4695	_4725	_4756	_4786	_4817	_4848	_4878	_4909	_4939
1982	_4970	_5001	_5029	_5060	_5090	_5121	_5151	_5182	_5213	_5243	_5274	_5304
1983	_5335	_5366	_5394	_5425	_5455	_5486	_5516	_5547	_5578	_5608	_5639	_5669
1984†	_5700	_5731	_5760	_5791	_5821	_5852	_5882	_5913	_5944	_5974	_6005	_6035
1985	244_6066	_6097	_6125	_6156	_6186	_6217	_6247	_6278	_6309	_6339	_6370	_6400

<sup>a</sup> Jan. 0.5 (UT) is the same as Greenwich noon (12h) UT, Dec. 31. \* These dates begin with 245 † Denotes leap years

Table 8-8. Julian Day Number (2 of 2)

Year	Jan 0.5 <sup>a</sup>	Feb 0.5	Mar. 0.5	Apr. 0.5	May 0.5	June 0.5	July 0.5	Aug 0.5	Sept 0.5	Oct 0.5	Nov 0.5	Dec 0.5
1986	_6431	_6462	_6490	_6521	_6551	_6582	_6612	_6643	_6674	_6704	_6735	_6765
1987	_6796	_6827	_6855	_6886	_6916	_6947	_6977	_7008	_7039	_7069	_7100	_7130
1988†	_7161	_7192	_7221	_7252	_7282	_7313	_7343	_7374	_7405	_7435	_7466	_7496
1989	_7527	_7558	_7586	_7617	_7647	_7678	_7708	_7739	_7770	_7800	_7831	_7861
1990	244_7892	_7923	_7951	_7982	_8012	_8043	_8073	_8104	_8135	_8165	_8196	_8226
1991	_8257	_8288	_8316	_8347	_8377	_8408	_8438	_8469	_8500	_8530	_8561	_8591
1992†	_8622	_8653	_8682	_8713	_8743	_8774	_8804	_8835	_8866	_8896	_8927	_8957
1993	_8988	_9019	_9047	_9078	_9108	_9139	_9169	_9200	_9231	_9261	_9292	_9322
1994	_9353	_9384	_9412	_9443	_9473	_9504	_9534	_9565	_9596	_9626	_9657	_9687
1995	244_9718	_9749	_9777	_9808	_9838	_9869	_9899	_9930	_9961	_9991	*0022	*0052
1996†	245_0083	_0114	_0143	_0174	_0204	_0235	_0265	_0296	_0327	_0357	_0388	_0418
1997	_0449	_0480	_0508	_0539	_0569	_0600	_0630	_0661	_0692	_0722	_0753	_0783
1998	_0814	_0845	_0873	_0904	_0934	_0965	_0995	_1026	_1057	_1087	_1118	_1148
1999	_1179	_1210	_1238	_1269	_1299	_1330	_1360	_1391	_1422	_1452	_1483	_1513
2000†	245_1544	_1575	_1604	_1635	_1665	_1696	_1726	_1757	_1788	_1818	_1849	_1879
2001	_1910	_1941	_1969	_2000	_2030	_2061	_2091	_2122	_2153	_2183	_2214	_2244
2002	_2275	_2306	_2334	_2365	_2395	_2426	_2456	_2487	_2518	_2548	_2579	_2609
2003	_2640	_2671	_2699	_2730	_2760	_2791	_2821	_2852	_2883	_2913	_2944	_2974
2004†	245_3005	_3036	_3965	_3096	_3126	_3157	_3187	_3218	_3249	_3279	_3310	_3340
2005	_3371	_3402	_3430	_3461	_3491	_3522	_3552	_3583	_3614	_3644	_3675	_3705
2006	_3736	_3767	_3795	_3826	_3856	_3887	_3917	_3948	_3979	_4009	_4040	_4070
2007	_4101	_4132	_4160	_4191	_4221	_4252	_4282	_4313	_4344	_4374	_4405	_4435
2008†	245_4466	_4497	_4526	_4557	_4587	_4618	_4648	_5679	_4710	_4740	_4771	_4801
2009	_4832	_4863	_4891	_4922	_4952	_4983	_5013	_5044	_5075	_5105	_5136	_5166

<sup>a</sup> Jan. 0.5 (UT) is the same as Greenwich noon (12h) UT, Dec. 31. \* These dates begin with 245 † Denotes leap years



## 9.0 Application of the Data Set

The [BDS](#) science product provides the instantaneous geolocated filtered radiances for the ERBE-like Subsystem 2.0. It is intended as the primary archival product for [CERES](#) Level-0 and Level-1B instantaneous science and engineering measurements.

## 10.0 Future Modifications and Plans

Modifications to the [BDS](#) product are driven by radiometric validation results and any Terra related parameters. The [DAAC](#) provides users notification of changes.

## 11.0 Software Description

There is a C read program that interfaces with the [HDF](#) libraries and a README file available from the LaRC [DAAC](#) User Services. The program was designed to run on a Unix workstation and can be compiled with a C compiler.

## 12.0 Contact Data Center/Obtain Data

[EOSDIS](#) Langley [DAAC](#)  
User and Data Service Office  
NASA Langley Research Center  
Mail Stop 157D  
2 South Wright Street  
Hampton, VA 23681-2199  
USA

Telephone: (757) 864-8656  
FAX: (757) 864-8807  
E-mail: [larc@eos.nasa.gov](mailto:larc@eos.nasa.gov)  
URL: <http://eosweb.larc.nasa.gov/>

## 13.0 Output Products and Availability

Several media types are supported by the Langley [DAAC CERES](#) Web Order Tool. Data can be downloaded from the Web or via FTP. Alternatively, data can be ordered on media tapes. The media tapes supported are 4mm 2Gb (90m), 8mm 2Gb (8200), 8mm 5Gb (8500), and 8mm 7Gb (8500c).

Data ordered via the Web or via FTP can be downloaded in either Uncompressed mode or in UNIX Compressed mode. Data written to media tape (in either Uncompressed mode or in UNIX Compressed mode) is in UNIX TAR format.

## 14.0 References

1. Clouds and the Earth's Radiant Energy System (CERES) Data Management System Data Products Catalog Release 3, Version 2, April 2000 {URL = [http://lposun.larc.nasa.gov/ceresweb/DPC/DPC\\_R3V2/DPC3\\_2.html](http://lposun.larc.nasa.gov/ceresweb/DPC/DPC_R3V2/DPC3_2.html)}
2. TRW DRL 64, 55067.300.008E; In-flight Measurement Analysis (Rev. E), March 1997.
3. Clouds and the Earth's Radiant Energy System (CERES) Algorithm Theoretical Basis Document, Instrument Geolocate and Calibrate Earth Radiances (Subsystem 1.0), Release 2.2, June 1997 {URL = <http://asd-www.larc.nasa.gov/ATBD/ATBD.html>}.
4. Release B SCF ToolKit User's Guide for the ECS Project, June 1998.
5. HDF User's Guide, Version 4.0, February 1996 (from NCSA) {URL = <http://eosweb/HBDOCS/hdf.html>}.
6. Instrument Geolocate and Calibrate Earth Radiances (Subsystem 1.0) Architectural Draft Design Document Release 1.0, June 1996 {URL = <http://asd-www.larc.nasa.gov/SDD/SDD.html>}.
7. CERES Geolocate and Calibrate Earth Radiances Level 1 Instrument Science Data Validation and Consistency Plan, Release 1.1, March 1996 {URL = [http://asd-www.larc.nasa.gov/validation/valid\\_doc.html](http://asd-www.larc.nasa.gov/validation/valid_doc.html)}.
8. TRW DRL 87, D20889B; Instrument Operations Manual, (Rev. B), January 1996.
9. Hoffman, Lawrence H.; Weaver, William L.; and Kibler, James F., 1987, "Calculation and Accuracy of ERBE Scanner Measurement Locations," NASA TP-2670.
10. C. Currey, L. Smith, B. Neely, "Evaluation of Clouds and the Earth's Radiant Energy System (CERES) scanner pointing accuracy using a coastline detection system," Proc. of SPIE, Earth Observing Systems III, Vol. 3439, pp. 367-376, 1998.
11. Smith, G.L.; Numerical Filtering of Spurious Transients in a Satellite Scanning Radiometer (Draft), September 1997.
12. Smith, G. L., 1994, "Effects of time response on the point spread function of a scanning radiometer," Appl. Opt., Vol. 33, No. 30, 7031-7037.
13. Blackadar, Alfred, "A Computer Almanac," Weatherwise, Vol 37, No 5, October 1984, p. 257-260.
14. Jefferys, William H. "Julian Day Numbers" {URL = <http://quasar.as.utexas.edu/BillInfo/JulianDatesG.html>}.
15. Software Bulletin "CERES Metadata Requirements for LaTIS", Revision 1, January 7, 1998 {URL = <http://asd-www.larc.nasa.gov/ceres/bulletins.html>}.

## 15.0 Glossary of Terms

### Term-1 CERES Point Spread Function (PSF)

A Point Spread Function (PSF) is a two-dimensional bell-shaped function that defines the CERES instrument response to the viewed radiation field. Due to the response time, the radiometer responds to a larger FOV than the optical FOV and the resulting PSF centroid lags the optical FOV centroid by more than a degree of cone angle (See SCI-18) for normal scan rates (See Note-0).

### Term-2 Count Conversion

Conversion from instrument counts to engineering units by a count conversion equation (See Reference 3).

### Term-3 Earth Equator, Greenwich Meridian System

The Earth equator, Greenwich meridian system is an Earth-fixed, geocentric, rotating coordinate system with the X-axis in the equatorial plane through the Greenwich meridian, the Y-axis lies in the equatorial plane 90° to the east of the X-axis, and the Z-axis is toward the North Pole.

### Term-4 Earth Surface

The surface of the Earth as defined by the WGS-84 Earth Model. The WGS-84 model of the

Earth surface is an ellipsoid  $\frac{x^2}{a^2} + \frac{y^2}{a^2} + \frac{z^2}{b^2} = 1$  where  $a = 6378.1370$  km and  $b = 6356.7523$  km

(See Figure 15-2).

### Term-5 Earth Point

The viewed point on the Earth surface (See Term-4), or the point at which the PSF centroid intersects the Earth surface.

### Term-6 Field of View

The terms Field of View (FOV) and footprint are synonymous (See Note-0). The CERES FOV is determined by its PSF which is a two dimensional bell-shaped function that defines the CERES instrument response to the viewed radiation field.

The resolution of the CERES radiometers is usually referenced to the optical FOV and is 1.3° in the along-track direction and 2.6° in the cross-track direction. For TRMM with a satellite altitude of 350 km, the nadir optical FOV is 8 × 16 km which is frequently referred to as an equivalent circle with a 10 km diameter, or simply as 10 km resolution. For Terra and Aqua with a satellite altitude of 705 km, the optical FOV at nadir is 16 × 32 km or 20 km resolution.

The CERES footprint size is referenced as an oval area representing ~95% of the PSF response (See Note-0). Since the PSF is defined in instrument angular space, the CERES FOV is a constant in angular space, but grows in surface area from a minimum at nadir to a larger area at

shallow viewing angles (See [SCI-18](#)). At nadir, this oval for [TRMM](#) is  $19 \times 15$  km ([Terra](#) is  $38 \times 31$  km) and grows to  $138 \times 38$  km ([Terra](#) is  $253 \times 70$  km) at a  $70^\circ$  viewing zenith angle.

The ToolKit routine `PGS_CSC_GetFOV_Pixel` returns the geodetic latitude and longitude of the intersection of the [FOV](#) centroid and the selected Model Surface. The returned longitudes are transformed from radians to degrees and then converted from  $\pm 180^\circ$  to  $0^\circ \dots 360^\circ$ . The returned geodetic latitudes are transformed from radians to degrees and then converted to geodetic colatitude using  $(90.0 - \text{latitude})$ .

### Term-7 Geocentric Subsolar Point

The point on a surface where the geocentric zenith (See [Term-8](#)) vector points toward the Sun (See [Figure 15-1](#)).

### Term-8 Geocentric Zenith

A vector from the center of the Earth (See [Figure 15-2](#)) to the point of interest.

### Term-9 Geodetic Subsolar Point

The point on a surface where the geodetic zenith (See [Term-10](#)) vector points toward the Sun (See [Figure 15-1](#)). Although the geocentric latitude  $\theta_c$  and the geodetic latitude  $\theta_d$  are equal, the geocentric subsolar point is different from the geodetic subsolar point.

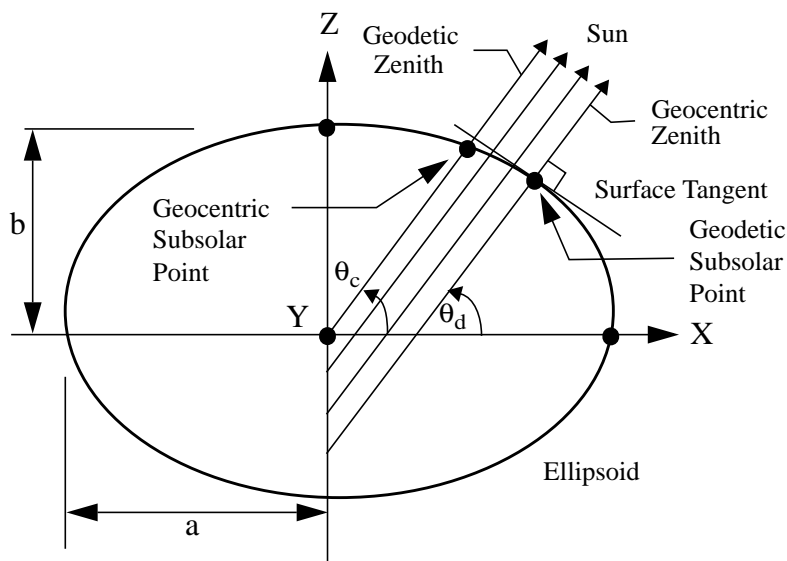


Figure 15-1. Subsolar Point

The ToolKit routine `PGS_CBP_Earth_CB_vector` calculates the Earth-Centered Inertial (ECI) position vector from the Earth to the Sun. A second ToolKit routine, `PGS_CSC_ECItOECR`, transforms the position vector to the [ECR](#) or Earth equator, Greenwich meridian rectangular coordinate system. From these coordinates, the geocentric colatitude and longitude of the Sun are calculated.

### Term-10 Geodetic Zenith

The vector normal to an ellipsoid (See [Figure 15-2](#)) at a point on the surface. At a point on the surface the geocentric latitude  $\theta_c$  and the geodetic latitude  $\theta_d$  are related by

$$\tan\theta_c = \frac{b^2}{a^2} \tan\theta_d .$$

We can determine the radial distance  $r$  as a function of the geocentric latitude  $\theta_c$  by setting

$x = r \cos(\theta_c)$ ,  $y = 0$ ,  $z = r \sin(\theta_c)$  in the ellipsoidal model and solving for  $r$  yields:

$$r = \frac{ab}{\sqrt{a^2 \sin^2\theta_c + b^2 \cos^2\theta_c}}$$

The semi-major axis ( $a$ ) and the semi-minor axis ( $b$ ) are defined by either the Earth Surface (See [Term-4](#)) or the TOA (See [Term-14](#)).

### Term-11 Julian Date

A continuous count of time in whole and fractional days elapsed at the Greenwich meridian since noon on January 1, 4714 BCE. (See [Note-0](#))

### Term-12 Subsatellite Point

The point on a surface below the satellite or the intersection point of a line dropped from the satellite through the surface (See [Figure 15-3](#)). The geocentric subsatellite point is on the radius vector to the center of the earth. The geodetic subsatellite point is on the geodetic zenith vector or the line dropped from the satellite is normal to the surface at the intersection point.

The ToolKit routine PGS\_CSC\_SubSatPoint returns the geodetic latitude and longitude of the subsatellite point. The returned longitudes are transformed from radians to degrees and then converted from  $\pm 180^\circ$  to  $0^\circ$  ..  $360^\circ$ . The returned latitudes are transformed from radians to degrees and then converted to colatitude using  $(90.0 - \text{latitude})$ .

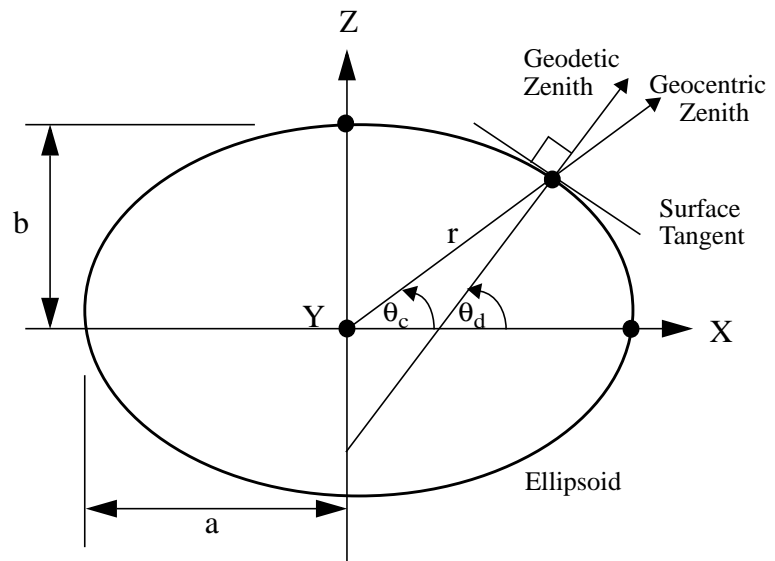


Figure 15-2. Ellipsoidal Earth Model

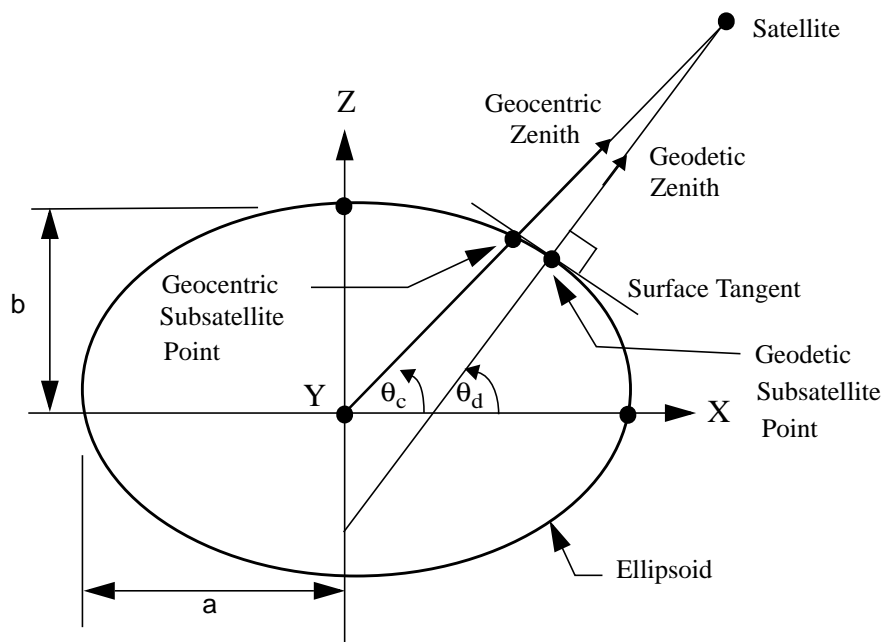


Figure 15-3. Subsatellite Point

**Term-13 Target Point**

The point at which the [PSF](#) (See [Term-1](#)) centroid intersects the [TOA](#) (See [Term-14](#)).

**Term-14 Top of the Atmosphere (TOA)**

The [TOA](#) is a surface approximately 30 km above the Earth surface (See [Term-4](#)). Specifically, the TOA is an ellipsoid  $\frac{x^2}{a^2} + \frac{y^2}{a^2} + \frac{z^2}{b^2} = 1$  where  $a = 6408.1370$  km and  $b = 6386.651$  km (See [Figure 15-2](#)).

**Term-15 TOA Point**

The viewed point at the [TOA](#), or the point at which the [PSF](#) centroid intersects the TOA (See [Term-14](#)).

## 16.0 List of Acronyms

APID	Application Identifier
APD	Aerosol Profile Data
ATBD	Algorithm Theoretical Basis Document
AVG	Monthly Regional Radiative Fluxes and Clouds
BCE	Before Current Era
BDS	BiDirectional Scan (data product)
BDS D	BiDirectional Scan - Diagnostic science (data product)
BDS F	BiDirectional Scan - Fixed Pattern (data product)
BDS G	BiDirectional Scan - Gimbal Error (data product)
BDS M	BiDirectional Scan - Memory Dump (data product)
BDS P	BiDirectional Scan - Processor Error (data product)
BDS S	BiDirectional Scan - Solar Calibration (data product)
CER	CERES
CERES	Clouds and the Earth's Radiant Energy System
CID	Cloud Imager Data (data product)
CRH	Clear Reflectance History (data product)
CRS	Clouds and Radiative Swath (data product)
CW	Cable Wrap
DAAC	Distributed Active Archive Center
DAC	Digital to Analog Converter
DAP	Data Acquisition microProcessor
DMA	Direct Memory Access
DMS	Data Management System
ECR	Earth-Centered Rotating
EDDB	ERBE-Like Daily Database Product
EDOS	EOS Data Operations System
EOS	Earth Observing System
EOS-AM	EOS Morning Crossing Mission (Terra)
EOS-PM	EOS Afternoon Crossing Mission (Aqua)
EOSDIS	Earth Observing System Data and Information System
ERBE	Earth Radiation Budget Experiment
ERBS	Earth Radiation Budget Satellite
FAPS	Fixed Azimuth Plane Scan
FM	Flight Model
FOV	Field of View (See <a href="#">Term-6</a> )
FSW	Monthly Single Satellite Fluxes and Clouds
GAP	Gridded Analysis Product
GB	Gigabyte
GEO	Geostationary Narrowband Radiances
GGEO	Gridded Geostationary Narrowband Radiances
GOES	Geostationary Operational Environmental Satellite
HDF	Hierarchical Data Format
ICSBB	Internal Calibration Source - Black Body
ICP	Instrument Control microProcessor

IES	Instrument Earth Scans (data product)
INSTR	Instrument
LaRC	Langley Research Center
LaTIS	Langley <a href="#">TRMM</a> Information System
MAM	Mirror Attenuator Mosaic
MB	Megabyte
MOA	Meteorological, Ozone, and Aerosols (data product)
MODIS	Moderate Resolution Imaging Spectrometer
MWH	Microwave Humidity (data product)
NASA	National Aeronautics and Space Administration
NOAA	National Oceanic and Atmospheric Administration
OPD	Ozone Profile Data (data product)
PFM	Prototype Flight Model (on <a href="#">TRMM</a> )
PSA	Product Specific Attribute
PSF	Point Spread Function (See <a href="#">Term-1</a> )
QA	Quality Assessment
RAPS	Rotating Azimuth Plane Scan
SDS	Scientific Data Set
SFC	Hourly Gridded Single Satellite TOA/Surface Fluxes and Clouds (data product)
SPS	Solar Presence Sensor
SRBAVG	Surface Radiation Budget Average (data product)
SS	Subsystem
SSF	Single Satellite CERES Footprint TOA and Surface Fluxes, Clouds (data product)
SW	Shortwave
SWICS	Shortwave Internal Calibration Source
SYN	Synoptic Radiative Fluxes and Clouds
TBD	To Be Determined
TISA	Time Interpolation and Spatial Averaging
TOA	Top of the Atmosphere, Top of Atmosphere (See <a href="#">Term-14</a> )
TOT	Total
TRMM	Tropical Rainfall Measuring Mission
URL	Uniform Resource Locator
UT	Universal Time
UTC	Universal Time Code
VIRS	Visible Infrared Scanner
WN	Window
ZAVG	Monthly Zonal and Global Average Radiative Fluxes and Clouds (data product)



## Unit Definitions

Units	Definition
AU	Astronomical Unit
cm	centimeter
count	count, counts
day	day, Julian date
deg	degree
deg sec <sup>-1</sup>	degrees per second
DU	Dobson Unit
fraction	fraction 0..1
g kg <sup>-1</sup>	gram per kilogram
g m <sup>-2</sup>	gram per square meter
hhmmss	hour, minute, second
hour	hour
hPa	hectoPascals
in-oz	inch-ounce
K	Kelvin
km	kilometer, kilometers
km sec <sup>-1</sup>	kilometers per second
m	meter
mA	milliamp, milliamps
micron	micrometer, micron
msec	millisecond
mW cm <sup>-2</sup> sr <sup>-1</sup> μm <sup>-1</sup>	milliWatts per square centimeter per steradian per micron
m sec <sup>-1</sup>	meter per second
N/A	not applicable, none, unitless, dimensionless
percent	percent, percentage 0..100
rad	radian
sec	second
volt	volt, volts
W h m <sup>-2</sup>	Watt hour per square meter

## 17.0 Document Information

**17.1 Document Creation Date** - February 1998

**17.2 Document Review Date** - July 1998

### 17.3 Document Revision Date

July 1998	Draft 2 for editorial board review 7/27
December 1998	Draft 3 per editorial board review comments.
June 2000	Release 3 Version 2.

### 17.4 Document ID:

LD\_007\_010\_001\_00\_00\_0\_yyyymmdd (Release Date)

### 17.5 Citation

Please provide a reference to the following paper when scientific results are published using the [CERES BDS](#) TRMM data:

"Wielicki, B. A.; Barkstrom, B.R.; Harrison, E. F.; Lee III,R.B.; Smith, G.L.; and Cooper, J.E., 1996: Clouds and the Earth's Radiant Energy System (CERES): An Earth Observing System Experiment, Bull. Amer. Meteor. Soc., 77, 853-868."

When Langley [DAAC](#) data are used in a publication, the following acknowledgment is requested to be included:

"These data were obtained from the NASA Langley Research Center [EOSDIS](#) Distributed Active Archive Center."

The Langley DAAC requests two reprints of any published papers or reports which cite the use of data the Langley DAAC have distributed. This will help the DAAC to determine the use of data distributed, which is helpful in optimizing product development. It also helps the DAAC to keep product related references current.

### 17.6 Redistribution of Data

To assist the Langley DAAC in providing the best service to the scientific community, a notification is requested if these data are transmitted to other researchers.

### 17.7 Document Curator

The Langley DAAC User & Data Services Office.

## Appendix A CERES Metadata

This section describes the metadata that are written to all CERES HDF products. [Table A-1](#) describes the CERES Baseline Header Metadata that are written on both HDF and binary direct access output science data products. The parameters are written in HDF structures for CERES HDF output products and are written as 80-byte records for binary direct access output products. Some parameters may be written in multiple records. [Table A-2](#) describes the CERES\_metadata Vdata parameters which are a subset of the CERES Baseline Header Metadata and are also written to all CERES HDF output products.

[Table A-1](#) lists the item number, parameter name, units, range or allowable values, the data type, and the maximum number of elements. Note that there are two choices for parameters 24-27 and two choices for parameters 28-31. The choices depend on whether the product is described by a bounding rectangle or by a GRing. Abbreviations used in the Data Type field are defined as:

s = string            date =        yyyy-mm-dd  
 F = float            time =        hh:mm:ss.xxxxxxZ  
 I = integer            datetime =    yyyy-mm-ddThh:mm:ss.xxxxxxZ

Table A-1. CERES Baseline Header Metadata (1 of 2)

Item	Parameter Name	Units	Range	Data Type	No. of Elements
1	ShortName	N/A	N/A	s(8)	1
2	VersionID	N/A	0 .. 255	I3	1
3	CERPGEName	N/A	N/A	s(20)	1
4	SamplingStrategy	N/A	CERES, TRMM-PFM-VIRS, Terra-FM1-MODIS, TBD	s(20)	1
5	ProductionStrategy	N/A	Edition, Campaign, Diagnostic-Case, PreFlight, TBD	s(20)	1
6	CERDataDateYear	N/A	1997 .. 2050	s(4)	1
7	CERDataDateMonth	N/A	1 .. 12	s(2)	1
8	CERDataDateDay	N/A	1 .. 31	s(2)	1
9	CERHRofMonth	N/A	1 .. 744	s(3)	1
10	CERHRofDay	N/A	1 .. 24	s(2)	1
11	RangeBeginningDate	N/A	1997-11-19 .. 2050-12-31	date	1
12	RangeBeginningTime	N/A	00:00:00.000000Z .. 24:00:00.000000Z	time	1
13	RangeEndingDate	N/A	1997-11-19 .. 2050-12-31	date	1
14	RangeEndingTime	N/A	00:00:00.000000Z .. 24:00:00.000000Z	time	1
15	AssociatedPlatformShortName	N/A	TRMM, Terra, Aqua, TBD	s(20)	1-4
16	AssociatedInstrumentShort-Name	N/A	PFM, FM1, FM2, FM3, FM4, FM5, TBD	s(20)	1-4
17	AssociatedSensorShortName	N/A	Total Detector, Window Detector, ShortWave Detector	s(20)	3

Table A-1. CERES Baseline Header Metadata (2 of 2)

Item	Parameter Name	Units	Range	Data Type	No. of Elements
18	LocalGranuleID	N/A	N/A	s(80)	1
19	PGEVersion	N/A	N/A	s(10)	1
20	CERProductionDateTime	N/A	N/A	datetime	1
21	LocalVersionID	N/A	N/A	s(60)	1
22	ProductGenerationLOC	N/A	SGI_xxx, TBD	s(255)	1
23	NumberOfRecords	N/A	1 .. 9 999 999 999	I10	1
24	WestBoundingCoordinate	deg	-180.0 .. 180.0	F11.6	1
25	NorthBoundingCoordinate	deg	-90.0 .. 90.0	F11.6	1
26	EastBoundingCoordinate	deg	-180.0 .. 180.0	F11.6	1
27	SouthBoundingCoordinate	deg	-90.0 .. 90.0	F11.6	1
24	GRingPointLatitude	deg	-90.0 .. 90.0	F11.6	3 .. 100
25	GRingPointLongitude	deg	-180.0 .. 180.0	F11.6	3 .. 100
26	GRingPointSequenceNo	N/A	0 .. 99999	I5	3 .. 100
27	ExclusionGRingFlag	N/A	Y (= YES), N (= NO)	s(1)	1
28	CERWestBoundingCoordinate	deg	0.0 .. 360.0	F11.6	1
29	CERNorthBoundingCoordinate	deg	0.0 .. 180.0	F11.6	1
30	CEREastBoundingCoordinate	deg	0.0 .. 360.0	F11.6	1
31	CERSouthBoundingCoordinate	deg	0.0 .. 180.0	F11.6	1
28	CERGRingPointLatitude	deg	0.0 .. 180.0	F11.6	3 .. 100
29	CERGRingPointLongitude	deg	0.0 .. 360.0	F11.6	3 .. 100
30	GRingPointSequenceNo	N/A	0 .. 99999	I5	3 .. 100
31	ExclusionGRingFlag	N/A	Y (= YES), N (= NO)	s(1)	1
32	AutomaticQualityFlag	N/A	Passed, Failed, or Suspect	s(64)	1
33	AutomaticQualityFlagExplanation	N/A	N/A	s(255)	1
34	QAGranuleFilename	N/A	N/A	s(255)	1
35	ValidationFilename	N/A	N/A	s(255)	1
36	ImagerShortName	N/A	VIRS, MODIS, TBD	s(20)	1
37	InputPointer	N/A	N/A	s(255)	800
38	NumberInputFiles	N/A	1 .. 9999	I4	1

Table A-2 describes the CERES\_metadata Vdata parameters which are written to all CERES HDF output science products. The table lists the item number, parameter name, units, range or allowable values, and the parameter data type where s (x) denotes a string of x characters.

Table A-2. CERES\_metadata Vdata

Item	Parameter Name	Units	Range	Data Type
1	ShortName	N/A	N/A	s(32)
2	RangeBeginningDate	N/A	1997-11-19 .. 2050-12-31	s(32)
3	RangeBeginningTime	N/A	00:00:00.000000Z .. 24:00:00.000000Z	s(32)

Table A-2. CERES\_metadata Vdata

Item	Parameter Name	Units	Range	Data Type
4	RangeEndingDate	N/A	1997-11-19 .. 2050-12-31	s(32)
5	RangeEndingTime	N/A	00:00:00.000000Z .. 24:00:00.000000Z	s(32)
6	AutomaticQualityFlag	N/A	Passed, Failed, or Suspect	s(64)
7	AutomaticQualityFlagExplanation	N/A	N/A	s(256)
8	AssociatedPlatformShortName	N/A	TRMM, Terra, Aqua, TBD	s(32)
9	AssociatedInstrumentShortName	N/A	PFM, FM1, FM2, FM3, FM4, FM5, TBD	s(32)
10	LocalGranuleID	N/A	N/A	s(96)
11	LocalVersionID	N/A	N/A	s(64)
12	CERProductionDateTime	N/A	N/A	s(32)
13	NumberOfRecords	N/A	1 .. 9 999 999 999	4-byte integer
14	ProductGenerationLOC	N/A	SGI_xxx, TBD	s(256)

The BDS Product Specific Attribute (PSA) metadata are listed in [Table A-3](#). The definitions that are nearly identical for several parameters are defined only once, even though individually distinct parameters exist as shown in the table below.

Table A-3. BDS Product Specific Metadata Parameters

Item	Parameter Name	Range	Data Type
1	<a href="#">Scan Mode</a>	RAPS/FAPS/XTRK, RAPS/FAPS, FAPS ONLY, RAPS ONLY, XTRK ONLY, XTRK/RAPS, XTRK/FAPS,	s(14)
2	<a href="#">Second Time Constant Mode</a>	Off, On	s(3)
3	<a href="#">Ephemeris Data Used</a>	Real, Pred, Sim	s(4)
4	<a href="#">Attitude Data Used</a>	Real, Sim	s(4)
5	<a href="#">Percent Total Channel Bad</a>	0.0 .. 100.0	F11.6
6	<a href="#">Percent Window Channel Bad</a>	0.0 .. 100.0	F11.6
7	<a href="#">Percent Shortwave Channel Bad</a>	0.0 .. 100.0	F11.6
8	<a href="#">Percent FAPS</a>	0.0 .. 100.0	F11.6
9	<a href="#">Percent RAPS</a>	0.0 .. 100.0	F11.6
10	<a href="#">Percent Transitional</a>	0.0 .. 100.0	F11.6
11	<a href="#">Percent Crosstrack</a>	0.0 .. 100.0	F11.6
12	<a href="#">TOA_Model_Used</a>	CERES-TOA or WGS84	s(9)
13	<a href="#">NumberInputFiles</a>	1 .. n	U32Int
Record Size (bytes) = 72			

**PSA-1 Scan Mode**

A flag that indicates which scan mode the instrument was operating in during data collection.

**PSA-2 Second Time Constant Mode**

A flag that specifies if the second time constant numerical filter was invoked during science processing.

**PSA-3 Ephemeris Data Used****PSA-4 Attitude Data Used**

A flag that indicates which type of ephemeris/attitude data were used during science processing.

**PSA-5 Percent Shortwave Channel Bad****PSA-6 Percent Total Channel Bad****PSA-7 Percent Window Channel Bad**

The percent of radiance samples that failed various edit checks and were then marked Bad during science processing.

**PSA-8 Percent Crosstrack****PSA-9 Percent FAPS****PSA-10 Percent RAPS****PSA-11 Percent Transitional**

Percent of samples in a particular scan mode during data collection.

**PSA-12 TOA\_Model\_Used**

A flag that indicates which Earth model was used during the science processing.

**PSA-13 NumberInputFiles**

The number of input files used to create the BDS data product, which includes Level 0 files, ephemeris and attitude files, and ancillary input files (e.g., count conversion offsets and gains).

## Appendix B Instrument Status Data Reference Material

### B.1 Raw Digital Status Description

[Table B-1](#) contains a list of the BDS Raw Digital Status Data. The data descriptions following the table apply to both the raw and converted digital status parameters (See [Table 1-3](#)).

Definitions are hyperlinked by the Link column and the DRL-64 Reference column entries. The raw digital status data are primarily data internal to the instrument microprocessors. Some data from analog sensors (e.g., heatsink temperatures) that are digitized for microprocessor usage are also included. Digitization is accomplished using a Digital-to-Analog Converter (DAC)

Table B-1. Raw Digital Status Data (1 of 11)

Link	Word	Parameter Name	Bit Order	Nominal Values*	DRL-64 Reference
<a href="#">DS-1</a>	0	Instrument Mode Sequence Number	0 .. 4	0 .. 10	<a href="#">122</a>
<a href="#">DS-2</a>		Instrument Previous Mode Sequence Number	5 .. 9	0 .. 10	<a href="#">122</a>
<a href="#">DS-3</a>		Mode Sequence Changed By	10 .. 12	0 .. 3	<a href="#">123</a>
<a href="#">DS-4</a>		Mode Sequence Has Changed	13 .. 14	0	
		Spare Bit	15	0	
<a href="#">DS-5</a>	1	Sequence Command Index	0 .. 4	0 .. 31	
<a href="#">DS-6</a>		Sequence Execution Status	5 .. 7	0 .. 3	<a href="#">124</a>
<a href="#">DS-7</a>		Sequence Time to Next Command	8 .. 15	0 .. 255	<a href="#">4M</a>
	2 .. 6	Spare Words	0 .. 15	0	
<a href="#">DS-8</a>	7	Instrument Command Counter	0 .. 15	0 .. 65535	
<a href="#">DS-9</a>	8	Instrument Command Main 1	0 .. 15	0 .. 65535	<a href="#">Table B-11</a>
<a href="#">DS-9</a>	9	Instrument Command Parameter 1	0 .. 15	0 .. 65535	<a href="#">Table B-11</a>
<a href="#">DS-9</a>	10	Instrument Command Sample Number 1	0 .. 9	0 .. 659	
<a href="#">DS-9</a>		Instrument Command Status 1	10 .. 14	0 .. 14	<a href="#">139</a>
<a href="#">DS-9</a>		Instrument Command Source 1	15	0 .. 1	<a href="#">140</a>
<a href="#">DS-9</a>	11	Instrument Command Main 2	0 .. 15	0 .. 65535	<a href="#">Table B-11</a>
<a href="#">DS-9</a>	12	Instrument Command Parameter 2	0 .. 15	0 .. 65535	<a href="#">Table B-11</a>
<a href="#">DS-9</a>	13	Instrument Command Sample Number 2	0..9	0 .. 659	
<a href="#">DS-9</a>		Instrument Command Status 2	10 .. 14	0 .. 14	<a href="#">139</a>
<a href="#">DS-9</a>		Instrument Command Source 2	15	0 .. 1	<a href="#">140</a>
<a href="#">DS-9</a>	14	Instrument Command Main 3	0 .. 15	0 .. 65535	<a href="#">Table B-11</a>
<a href="#">DS-9</a>	15	Instrument Command Parameter 3	0 .. 15	0 .. 65535	<a href="#">Table B-11</a>

Table B-1. Raw Digital Status Data (2 of 11)

Link	Word	Parameter Name	Bit Order	Nominal Values*	DRL-64 Reference
<a href="#">DS-9</a>	16	Instrument Command Sample Number 3	0 .. 9	0 .. 659	
<a href="#">DS-9</a>		Instrument Command Status 3	10 .. 14	0 .. 14	<a href="#">139</a>
<a href="#">DS-9</a>		Instrument Command Source 3	15	0 .. 1	<a href="#">140</a>
<a href="#">DS-9</a>	17	Instrument Command Main 4	0 .. 15	0 .. 65535	<a href="#">Table B-11</a>
<a href="#">DS-9</a>	18	Instrument Command Parameter 4	0 .. 15	0 .. 65535	<a href="#">Table B-11</a>
<a href="#">DS-9</a>	19	Instrument Command Sample Number 4	0 .. 9	0 .. 659	
<a href="#">DS-9</a>		Instrument Command Status 4	10 .. 14	0 .. 14	<a href="#">139</a>
<a href="#">DS-9</a>		Instrument Command Source 4	15	0 .. 1	<a href="#">140</a>
<a href="#">DS-9</a>	20	Instrument Command Main 5	0 .. 15	0 .. 65535	<a href="#">Table B-11</a>
<a href="#">DS-9</a>	21	Instrument Command Parameter 5	0 .. 15	0 .. 65535	<a href="#">Table B-11</a>
<a href="#">DS-9</a>	22	Instrument Command Sample Number 5	0 .. 9	0 .. 659	
<a href="#">DS-9</a>		Instrument Command Status 5	10 .. 14	0 .. 14	<a href="#">139</a>
<a href="#">DS-9</a>		Instrument Command Source 5	15	0 .. 1	<a href="#">140</a>
<a href="#">DS-9</a>	23	Instrument Command Main 6	0 .. 15	0 .. 65535	<a href="#">Table B-11</a>
<a href="#">DS-9</a>	24	Instrument Command Parameter 6	0 .. 15	0 .. 65535	<a href="#">Table B-11</a>
<a href="#">DS-9</a>	25	Instrument Command Sample Number 6	0 .. 9	0 .. 659	
<a href="#">DS-9</a>		Instrument Command Status 6	10 .. 14	0 .. 14	<a href="#">139</a>
<a href="#">DS-9</a>		Instrument Command Source 6	15	0 .. 1	<a href="#">140</a>
<a href="#">DS-9</a>	26	Instrument Command Main 7	0 .. 15	0 .. 65535	<a href="#">Table B-11</a>
<a href="#">DS-9</a>	27	Instrument Command Parameter 7	0 .. 15	0 .. 65535	<a href="#">Table B-11</a>
<a href="#">DS-9</a>	28	Instrument Command Sample Number 7	0 .. 9	0 .. 659	
<a href="#">DS-9</a>		Instrument Command Status 7	10 .. 14	0 .. 14	<a href="#">139</a>
<a href="#">DS-9</a>		Instrument Command Source 7	15	0 .. 1	<a href="#">140</a>
<a href="#">DS-9</a>	29	Instrument Command Main 8	0 .. 15	0 .. 65535	<a href="#">Table B-11</a>
<a href="#">DS-9</a>	30	Instrument Command Parameter 8	0 .. 15	0 .. 65535	<a href="#">Table B-11</a>
<a href="#">DS-9</a>	31	Instrument Command Sample Number 8	0 .. 9	0 .. 659	
<a href="#">DS-9</a>		Instrument Command Status 8	10 .. 14	0 .. 14	<a href="#">139</a>
<a href="#">DS-9</a>		Instrument Command Source 8	15	0 .. 1	<a href="#">140</a>
<a href="#">DS-10</a>	32	Instrument Error Counter	0 .. 15	0 .. 65535	
<a href="#">DS-11</a>	33	Instrument Error Sample Number 1	0 .. 9	0 .. 659	
<a href="#">DS-11</a>		Instrument Error Type 1	10 .. 15	0 .. 63	<a href="#">141</a>
<a href="#">DS-11</a>	34	Instrument Error Sample Number 2	0 .. 9	0 .. 659	
<a href="#">DS-11</a>		Instrument Error Type 2	10 .. 15	0 .. 63	<a href="#">141</a>
<a href="#">DS-11</a>	35	Instrument Error Sample Number 3	0 .. 9	0 .. 659	
<a href="#">DS-11</a>		Instrument Error Type 3	10 .. 15	0 .. 63	<a href="#">141</a>



Table B-1. Raw Digital Status Data (3 of 11)

Link	Word	Parameter Name	Bit Order	Nominal Values*	DRL-64 Reference
DS-11	36	Instrument Error Sample Number 4	0 .. 9	0 .. 659	
DS-11		Instrument Error Type 4	10 .. 15	0 .. 63	141
DS-11	37	Instrument Error Sample Number 5	0 .. 9	0 .. 659	
DS-11		Instrument Error Type 5	10 .. 15	0 .. 63	141
DS-11	38	Instrument Error Sample Number 6	0 .. 9	0 .. 659	
DS-11		Instrument Error Type 6	10 .. 15	0 .. 63	141
DS-11	39	Instrument Error Sample Number 7	0 .. 9	0 .. 659	
DS-11		Instrument Error Type 7	10 .. 15	0 .. 63	141
DS-11	40	Instrument Error Sample Number 8	0 .. 9	0 .. 659	
DS-11		Instrument Error Type 8	10 .. 15	0 .. 63	141
	41 .. 45	Spare Words	0 .. 15	0	
DS-12	46	TOT Bridge Balance Control Status	0 .. 2	0 .. 2	101
DS-13		TOT Bridge Balance DAC Update Status Value	3	0 .. 1	102
DS-14		TOT Bridge Balance Reset Counter	4 .. 8	0 .. 24	
		Spare Bits	9 .. 15	0	
DS-15	47	TOT Spacelook Average	0 .. 11	0 .. 4095	
		Spare Bits	12 .. 15	0	
LVL-0	48	TOT Bridge Balance DAC Coarse Value	0 .. 11	0 .. 4095	
		Spare Bits	12 .. 15	0	
LVL-0	49	TOT Bridge Balance DAC Fine Value	0 .. 11	0 .. 4095	
		Spare Bits	12 .. 15	0	
DS-12	50	SW Bridge Balance Control Status	0 .. 2	0 .. 2	101
DS-13		SW Bridge Balance DAC Update Status Value	3	0 .. 1	102
DS-14		SW Bridge Balance Reset Counter	4 .. 8	0 .. 24	
		Spare Bits	9 .. 15	0	
DS-15	51	SW Spacelook Average	0 .. 11	0 .. 4095	
		Spare Bits	12 .. 15	0	
LVL-0	52	SW Bridge Balance DAC Coarse Value	0 .. 11	0 .. 4095	
		Spare Bits	12 .. 15	0	
LVL-0	53	SW Bridge Balance DAC Fine Value	0 .. 11	0 .. 4095	
		Spare Bits	12 .. 15	0	
DS-12	54	WN Bridge Balance Control Status	0 .. 2	0 .. 2	101
DS-13		WN Bridge DAC Update Status Value	3	0 .. 1	102
DS-14		WN Bridge Balance Reset Counter	4 .. 8	0 .. 24	
		Spare Bits	9 .. 15	0	

Table B-1. Raw Digital Status Data (4 of 11)

Link	Word	Parameter Name	Bit Order	Nominal Values*	DRL-64 Reference
DS-15	55	WN Spacelook Average	0 .. 11	0 .. 4095	
		Spare Bits	12 .. 15	0	
LVL-0	56	WN Bridge Balance DAC Coarse Value	0 .. 11	0 .. 4095	
		Spare Bits	12 .. 15	0	
LVL-0	57	WN Bridge Balance DAC Fine Value	0 .. 11	0 .. 4095	
		Spare Bits	12 .. 15	0	
DS-16	58	Bridge Balance Spacelook Start Sample Number	0 .. 9	5	
		Spare Bits	10 .. 15	0	
DS-16	59	Bridge Balance Spacelook End Sample Number	0 .. 9	25	
		Spare Bits	10 .. 15	0	
DS-16	60	Bridge Balance DAC Update Sample Number	0 .. 9	644	
		Spare Bits	10 .. 15	0	
DS-17	61	Bridge Balance Window High Value	0 .. 11	300	
		Spare Bits	12 .. 15	0	
DS-17	62	Bridge Balance Window Low Value	0 .. 11	50	
		Spare Bits	12 .. 15	0	
DS-18	63	Bridge Balance Window Setpoint Value	0 .. 11	225	
		Spare Bits	12 .. 15	0	
DS-19	64	TOT Detector Temperature Setpoint	0 .. 11	0 .. 4095	
DS-20		TOT Detector Temperature Control Status	12	0 .. 1	100
		Spare Bits	13 .. 15	0	
DS-19	65	SW Detector Temperature Setpoint	0 .. 11	0 .. 4095	
DS-20		SW Detector Temperature Control Status	12	0 .. 1	100
		Spare Bits	13 .. 15	0	
DS-19	66	WN Detector Temperature Setpoint	0 .. 11	0 .. 4095	
DS-20		WN Detector Temperature Control Status	12	0 .. 1	100
		Spare Bits	13 .. 15	0	
DS-21	67	Blackbody Temperature Setpoint	0 .. 11	0 .. 4095	
DS-22		Blackbody Temperature Control Status	12	0 .. 1	100
		Spare Bits	13 .. 15	0	
DS-23	68	SWICS Intensity Level	0 .. 1	0 .. 3	103
		Spare Bits	2 .. 15	0	
	69	Spare Word	0 .. 15	0	

Table B-1. Raw Digital Status Data (5 of 11)

Link	Word	Parameter Name	Bit Order	Nominal Values*	DRL-64 Reference
<a href="#">DS-24</a>	70	Elevation Scan Mode	0 .. 4	0 .. 4	<a href="#">108</a>
<a href="#">DS-25</a>		Elevation On Deck Scan Mode	5 .. 9	0 .. 4	<a href="#">108</a>
<a href="#">DS-26</a>		Elevation Scan Status	10 .. 12	0 .. 4	<a href="#">109</a>
<a href="#">DS-27</a>		Elevation Motor Drive	13	0 .. 1	<a href="#">115</a>
<a href="#">DS-28</a>		Elevation Encoder LED Intensity	14	0 .. 1	<a href="#">110</a>
<a href="#">DS-29</a>		Elevation Stall	15	0 .. 1	<a href="#">136</a>
<a href="#">INS-50</a>	71	Elevation Offset Correction	0 .. 15	65082	<a href="#">4K</a>
<a href="#">DS-30</a>	72	Elevation Stall Error Threshold	0 .. 15	32767	
<a href="#">DS-31</a>	73	Elevation Stall Count Threshold	0 .. 9	660	
		Spare Bits	10 .. 15	0	
<a href="#">DS-32</a>	74	Elevation Position Error Sample 1	0 .. 15	0 .. 65535	
<a href="#">DS-32</a>	75	Elevation Position Error Sample 2	0 .. 15	0 .. 65535	
<a href="#">DS-32</a>	76	Elevation Position Error Sample 3	0 .. 15	0 .. 65535	
<a href="#">DS-33</a>	77	Main Cover Command	0 .. 3	0 .. 5	<a href="#">104</a>
<a href="#">DS-34</a>		Main Cover Motion Status	4 .. 7	0 .. 15	<a href="#">105</a>
<a href="#">DS-35</a>		Main Cover Position Status	8 .. 11	0 .. 4	<a href="#">106</a>
<a href="#">DS-36</a>		Main Cover Sensor Active	12 .. 13	0 .. 1	<a href="#">107</a>
		Spare Bits	14 .. 15	0	
<a href="#">DS-37</a>	78	Main Cover Commanded Position	0 .. 11	0 .. 4095	
		Spare Bits	12 .. 15	0	
<a href="#">DS-38</a>	79	Main Cover Accumulated Lag Error Sensor 1	0 .. 7	0 .. 255	
		Spare Bits	8 .. 15	0	
<a href="#">DS-38</a>	80	Main Cover Accumulated Lag Error Sensor 2	0 .. 7	0 .. 255	
		Spare Bits	8 .. 15	0	
<a href="#">DS-39</a>	81	Main Cover Fixed Step Count	0 .. 15	0 .. 65535	
<a href="#">DS-40</a>	82	Main Cover Defined Closed Position	0 .. 11	241	
		Spare Bits	12 .. 15	0	
<a href="#">DS-40</a>	83	Main Cover Defined Open Position	0 .. 11	3164	
		Spare Bits	12 .. 15	0	
<a href="#">DS-41</a>	84	Main Cover Defined Closed Margin	0 .. 11	30	
		Spare Bits	12 .. 15	0	
<a href="#">DS-41</a>	85	Main Cover Defined Open Margin	0 .. 11	30	
		Spare Bits	12 .. 15	0	

Table B-1. Raw Digital Status Data (6 of 11)

Link	Word	Parameter Name	Bit Order	Nominal Values*	DRL-64 Reference
<a href="#">DS-42</a>	86	MAM Cover Command	0 .. 3	0 .. 5	<a href="#">104</a>
<a href="#">DS-43</a>		MAM Cover Motion Status	4 .. 7	0 .. 15	<a href="#">105</a>
<a href="#">LVL-0</a>		MAM Cover Position Status	8 .. 11	0 .. 4	<a href="#">106</a>
<a href="#">DS-44</a>		MAM Cover Sensor Active	12 .. 13	0 .. 1	<a href="#">107</a>
		Spare Bits	14 .. 15	0	
<a href="#">DS-45</a>	87	MAM Cover Commanded Position	0 .. 11	0 .. 4095	
		Spare Bits	12 .. 15	0	
	88 .. 89	Spare Words	0 .. 15	0	
<a href="#">DS-46</a>	90	MAM Cover Fixed Step Count	0 .. 15	0 .. 65535	
<a href="#">DS-47</a>	91	MAM Cover Defined Closed Position	0 .. 11	801	
		Spare Bits	12 .. 15	0	
<a href="#">DS-47</a>	92	MAM Cover Defined Open Position	0 .. 11	1924	
		Spare Bits	12 .. 15	0	
<a href="#">DS-48</a>	93	MAM Cover Defined Closed Margin	0 .. 11	20	
		Spare Bits	12 .. 15	0	
<a href="#">DS-48</a>	94	MAM Cover Defined Open Margin	0 .. 11	20	
		Spare Bits	12 .. 15	0	
<a href="#">DS-49</a>	95	DAP Watchdog Boot Status	0	0 .. 1	<a href="#">127</a>
<a href="#">DS-50</a>		DAP Watchdog Enable Status	1	0 .. 1	<a href="#">128</a>
<a href="#">DS-51</a>		DAP PROM Power Status	2	0 .. 1	<a href="#">129</a>
<a href="#">DS-52</a>		DAP Sample Clock Interrupt Occurred	3 .. 4	0	
		Spare Bits	5 .. 15	0	
<a href="#">DS-53</a>	96	DAP Processor Scan Period Count	0 .. 15	0 .. 65535	
<a href="#">DS-54</a>	97	DAP Memory Dump Start Address Offset	0 .. 15	0 .. 65535	
<a href="#">DS-54</a>	98	DAP Memory Dump Start Address Segment	0 .. 15	0 .. 65535	
<a href="#">DS-55</a>	99	DAP Memory Dump End Address Offset	0 .. 15	0 .. 65535	
<a href="#">DS-55</a>	100	DAP Memory Dump End Address Segment	0 .. 15	0 .. 65535	
<a href="#">DS-56</a>	101	DAP Packet Start Address Offset	0 .. 15	0 .. 65535	
<a href="#">DS-56</a>	102	DAP Packet Start Address Segment	0 .. 15	0 .. 65535	
<a href="#">DS-57</a>	103	DAP Address Changes Indicator	0 .. 15	0	
<a href="#">INS-36</a>	104	DAP Minimum Execution Time	0 .. 15	0 .. 65535	<a href="#">4N</a>
<a href="#">DS-58</a>	105	DAP Minimum Sample Number	0 .. 10	0 .. 659	
		Spare Bits	11 .. 15	0	
<a href="#">INS-35</a>	106	DAP Maximum Execution Time	0 .. 15	0 .. 65535	<a href="#">4N</a>

Table B-1. Raw Digital Status Data (7 of 11)

Link	Word	Parameter Name	Bit Order	Nominal Values*	DRL-64 Reference
<a href="#">DS-58</a>	107	DAP Maximum Sample Number	0 .. 10	0 .. 659	
		Spare Bits	11 .. 15	0	
<a href="#">DS-59</a>	108	DAP RAM Code Checksum	0 .. 15	0 .. 65535	
<a href="#">DS-60</a>	109	DAP ROM Code Checksum	0 .. 15	0 .. 65535	
	110 .. 114	Spare Words	0 .. 15	0	
<a href="#">DS-61</a>	115	Azimuth Mode	0 .. 4	0 .. 10	<a href="#">111</a>
<a href="#">DS-62</a>		Azimuth Motion Status	5	0 .. 1	<a href="#">112</a>
<a href="#">DS-63</a>		Azimuth Direction Status	6	0 .. 1	<a href="#">113</a>
<a href="#">DS-64</a>		Azimuth Position Status	7 .. 10	0 .. 4	<a href="#">114</a>
<a href="#">DS-65</a>		Azimuth Motor Drive Status	11	0 .. 1	<a href="#">115</a>
<a href="#">DS-66</a>		Azimuth Encoder LED Status	12	0 .. 1	<a href="#">110</a>
<a href="#">DS-67</a>		Azimuth Stall	13	0 .. 1	<a href="#">136</a>
		Spare Bits	14 .. 15	0	
<a href="#">INS-4</a>	116	Azimuth Defined Crosstrack Position	0 .. 15	32773	<a href="#">4K</a>
<a href="#">INS-6</a>	117	Azimuth Defined Fixed Position A	0 .. 15	16389**	<a href="#">4K</a>
<a href="#">INS-6</a>	118	Azimuth Defined Fixed Position B	0 .. 15	49157**	<a href="#">4K</a>
<a href="#">INS-11</a>	119	Azimuth Defined Fixed Solar Calibration Position	0 .. 15	0 .. 65535	<a href="#">4K</a>
<a href="#">INS-5</a>	120	Azimuth Defined Fixed Cage Position	0 .. 15	21	<a href="#">4K</a>
<a href="#">INS-8</a>	121	Azimuth Defined Fixed Position Spare 1	0 .. 15	8197	<a href="#">4K</a>
<a href="#">INS-9</a>	122	Azimuth Defined Fixed Position Spare 2	0 .. 15	30000	<a href="#">4K</a>
<a href="#">INS-10</a>	123	Azimuth Defined Fixed Position Spare 3	0 .. 15	60000	<a href="#">4K</a>
<a href="#">INS-12</a>	124	Azimuth Defined Normal Slew Rate	0 .. 15	1371	<a href="#">7.</a>
<a href="#">INS-13</a>	125	Azimuth Defined Asynchronous Scan Rate	0 .. 15	1096	<a href="#">7.</a>
<a href="#">INS-13</a>	126	Azimuth Defined Synchronous Scan Rate	0 .. 15	913	<a href="#">7.</a>
<a href="#">INS-16</a>	127	Azimuth Offset Correction	0 .. 15	65394	<a href="#">4K</a>
<a href="#">DS-68</a>	128	Azimuth Stall Error Threshold	0 .. 15	500	
<a href="#">DS-69</a>	129	Azimuth Stall Count Threshold	0 .. 9	10	
		Spare Bits	10 .. 15	0	
<a href="#">DS-70</a>	130	Brake Command Status	0 .. 3	0 .. 5	<a href="#">116</a>
<a href="#">DS-71</a>		Brake Motion Status	4 .. 7	0 .. 15	<a href="#">117</a>
<a href="#">DS-72</a>		Brake Position Status	8 .. 11	0 .. 4	<a href="#">118</a>
		Spare Bits	12 .. 15	0	
<a href="#">DS-73</a>	131	Brake Commanded Position	0 .. 11	0 .. 4095	
		Spare Bits	12 .. 15	0	

Table B-1. Raw Digital Status Data (8 of 11)

Link	Word	Parameter Name	Bit Order	Nominal Values*	DRL-64 Reference
<a href="#">DS-74</a>	132	Brake Current Position	0 .. 11	0 .. 4095	
		Spare Bits	12 .. 15	0	
<a href="#">DS-75</a>	133	Brake Position SUBMUX Channel	0 .. 7	163	
		Spare Bits	8 .. 15	0	
<a href="#">DS-76</a>	134	Brake Step Count	0 .. 15	0 .. 65535	
<a href="#">DS-77</a>	135	Brake Defined Released Position	0 .. 11	800	
		Spare Bits	12 .. 15	0	
<a href="#">DS-77</a>	136	Brake Defined Applied Position	0 .. 11	685	
		Spare Bits	12 .. 15	0	
<a href="#">DS-77</a>	137	Brake Defined Cage Position	0 .. 11	1027	
		Spare Bits	12 .. 15	0	
<a href="#">DS-78</a>	138	Brake Defined Released Margin	0 .. 11	50	
		Spare Bits	12 .. 15	0	
<a href="#">DS-78</a>	139	Brake Defined Applied Margin	0 .. 11	5	
		Spare Bits	12 .. 15	0	
<a href="#">DS-78</a>	140	Brake Defined Cage Margin	0 .. 11	5	
		Spare Bits	12 .. 15	0	
<a href="#">INS-17</a>	141	Azimuth Position Error	0 .. 15	0 .. 65535	
<a href="#">DS-79</a>	142 (TRMM word)	Safehold Input A Status	0	0 .. 1	<a href="#">125</a>
<a href="#">DS-79</a>		Safehold Input B Status	1	0 .. 1	<a href="#">125</a>
<a href="#">DS-80</a>		Safehold Response A Status	2 .. 3	0 .. 3	<a href="#">126</a>
<a href="#">DS-80</a>		Safehold Response B Status	4 .. 5	0 .. 3	<a href="#">126</a>
		Spare Bits	6 .. 15	0	
<a href="#">DS-81</a>	142 (Terra word)	Low Rate Science Transfer Status	0	0 .. 1	<a href="#">143</a>
<a href="#">DS-82</a>		Safemode Signal Received	1	0 .. 1	<a href="#">144</a>
<a href="#">DS-83</a>		Safemode Signal Response	2	0 .. 1	<a href="#">143</a>
<a href="#">DS-84</a>		IMOK Signal Received	3	0 .. 1	<a href="#">145</a>
<a href="#">DS-85</a>		IMOK Signal Response	4	0 .. 1	<a href="#">143</a>
<a href="#">DS-86</a>		Time Mark & Frequency Bus Select	5	0 .. 1	<a href="#">146</a>
<a href="#">DS-87</a>		Time Mark & Frequency Interrupt	6	0 .. 1	<a href="#">147</a>
		Spare Bits	7 .. 15	0	

Table B-1. Raw Digital Status Data (9 of 11)

Link	Word	Parameter Name	Bit Order	Nominal Values*	DRL-64 Reference
<a href="#">DS-49</a>	143	ICP Watchdog Boot Status	0	0 .. 1	<a href="#">127</a>
<a href="#">DS-50</a>		ICP Watchdog Enable Status	1	0 .. 1	<a href="#">128</a>
<a href="#">DS-51</a>		ICP PROM Power Status	2	0 .. 1	<a href="#">129</a>
<a href="#">DS-52</a>		ICP Sample Clock Interrupt Occurred	3 .. 4	0	
<a href="#">DS-88</a>		DMA Communication Status	5 .. 7	0 .. 3	<a href="#">138</a>
		Spare Bits	8 .. 15	0	
<a href="#">DS-53</a>	144	ICP Scan Period Counter	0 .. 15	0 .. 65535	
<a href="#">DS-54</a>	145	ICP Memory Dump Start Address Offset	0 .. 15	0 .. 65535	
<a href="#">DS-54</a>	146	ICP Memory Dump Start Address Segment	0 .. 15	0 .. 65535	
<a href="#">DS-55</a>	147	ICP Memory Dump End Address Offset	0 .. 15	0 .. 65535	
<a href="#">DS-55</a>	148	ICP Memory Dump End Address Segment	0 .. 15	0 .. 65535	
<a href="#">DS-56</a>	149	ICP Packet Start Address Offset	0 .. 15	0 .. 65535	
<a href="#">DS-56</a>	150	ICP Packet Start Address Segment	0 .. 15	0 .. 65535	
<a href="#">DS-57</a>	151	ICP Address Changed Indicator	0 .. 15	0	
<a href="#">INS-38</a>	152	ICP Minimum Execution Time	0 .. 15	0 .. 65535	<a href="#">4N</a>
<a href="#">DS-58</a>	153	ICP Minimum Sample Number	0 .. 10	0 .. 659	
		Spare Bits	11 .. 15	0	
<a href="#">INS-37</a>	154	ICP Maximum Execution Time	0 .. 15	0 .. 65535	<a href="#">4N</a>
<a href="#">DS-58</a>	155	ICP Maximum Sample Number	0 .. 10	0 .. 659	
		Spare Bits	11 .. 15	0	
<a href="#">DS-59</a>	156	ICP RAM Code Checksum	0 .. 15	0 .. 65535	
<a href="#">DS-60</a>	157	ICP ROM Code Checksum	0 .. 15	0 .. 65535	
	158 .. 162	Spare Words	0 .. 15	0	
<a href="#">DS-89</a>	163	SPS 1 State	0	0 .. 1	<a href="#">130</a>
<a href="#">DS-89</a>		SPS 2 State	1	0 .. 1	<a href="#">130</a>
<a href="#">DS-90</a>		SPS 1 Response	2	0 .. 1	<a href="#">131</a>
<a href="#">DS-90</a>		SPS 2 Response	3	0 .. 1	<a href="#">131</a>
<a href="#">DS-91</a>		Solar Warning	4 .. 5	0 .. 1	<a href="#">133</a>
<a href="#">DS-92</a>		Scan Timeout Response	6	0 .. 1	<a href="#">134</a>
<a href="#">DS-93</a>		Scan Timeout Counting	7 .. 8	0 .. 1	<a href="#">135</a>
<a href="#">DS-94</a>		Scan Timeout Occurred	9 .. 10	0 .. 1	<a href="#">142</a>
		Spare Bits	11 .. 15	0	
<a href="#">DS-95</a>		164	Solar Warning Event Sample Number	0 .. 15	0 .. 659
<a href="#">DS-96</a>	165	Solar Warning Event Scan Period	0 .. 15	0 .. 65535	
<a href="#">DS-97</a>	166	Scan Timeout Scan Period	0 .. 15	0 .. 65535	

Table B-1. Raw Digital Status Data (10 of 11)

Link	Word	Parameter Name	Bit Order	Nominal Values*	DRL-64 Reference
LVL-0	167	SPS 1 Narrow FOV Signal	0 .. 11	0 .. 4095	
		Spare Bits	12 .. 15	0	
LVL-0	168	SPS 1 Wide FOV Signal	0 .. 11	0 .. 4095	
		Spare Bits	12 .. 15	0	
DS-98	169	SPS 1 Threshold Noise	0 .. 11	500	
		Spare Bits	12 .. 15	0	
DS-99	170	SPS 1 Threshold Scale Numerator	0 .. 5	32	
		Spare Bits	6 .. 15	0	
DS-100	171	SPS 1 Solar Detection State	0	0 .. 1	132
		Spare Bits	1 .. 15	0	
DS-101	172	SPS 1 Solar Detection Count	0 .. 9	0 .. 55	
		Spare Bits	10 .. 15	0	
DS-102	173	SPS 1 Solar Detection Count Threshold	0 .. 9	5	
		Spare Bits	10 .. 15	0	
DS-103	174	SPS 1 Solar Detection Max Count	0 .. 9	0 .. 55	
		Spare Bits	10 .. 15	0	
LVL-0	175	SPS 2 Narrow FOV Signal	0 .. 11	0 .. 4095	
		Spare Bits	12 .. 15	0	
LVL-0	176	SPS 2 Wide FOV Signal	0 .. 11	0 .. 4095	
		Spare Bits	12 .. 15	0	
DS-98	177	SPS 2 Threshold Noise	0 .. 11	500	
		Spare Bits	12 .. 15	0	
DS-99	178	SPS 2 Threshold Scale Numerator	0 .. 5	32	
		Spare Bits	6 .. 15	0	
DS-100	179	SPS 2 Solar Detection State	0	0 .. 1	132
		Spare Bits	1 .. 15	0	
DS-101	180	SPS 2 Solar Detection Count	0 .. 9	0 .. 55	
		Spare Bits	10 .. 15	0	
DS-102	181	SPS 2 Solar Detection Count Threshold	0 .. 9	5	
		Spare Bits	10 .. 15	0	
DS-103	182	SPS 2 Solar Detection Max Count	0 .. 9	0 .. 55	
		Spare Bits	10 .. 15	0	
DS-104	183	Solar Avoidance Initial Scan Count	0 .. 9	0 .. 1000	
		Spare Bits	10 .. 15	0	



Table B-1. Raw Digital Status Data (11 of 11)

Link	Word	Parameter Name	Bit Order	Nominal Values*	DRL-64 Reference
<a href="#">DS-105</a>	184	Solar Avoidance Current Scan Count	0 .. 9	0 .. 1000	
		Spare Bits	10 .. 15	0	
<p>* Values in this column typically represents flight condition expected ranges, nominal single values, or enumerated values. Ranges specified will not necessarily use the total number of bits available for a given parameter, but will not exceed the maximum number available.</p> <p>** See description of Azimuth Position A/B for other possible values.</p>					

### DS-1 Instrument Mode Sequence Number

This parameter indicates the current internal mode sequence that is either being executed or has completed execution. The enumeration of this value is in [Table B-10](#), note 122. The detailed sequences for each mode are found in [Reference 8](#) (DRL-87). This parameter reflects the SET\_INSTRUMENT\_MODE command. This parameter will not reflect short commands that effectively place the instrument into another “mode configuration”.

### DS-2 Instrument Previous Mode Sequence Number

This parameter indicates the internal mode sequence that was previously executed. The enumeration of this value is in [Table B-10](#), note 122. The detailed sequences for each mode are found in DRL-87 (See [Reference 8](#)). These values are the same as the Instrument Mode Sequence Number.

### DS-3 Mode Sequence Changed By

This parameter indicates whether the current internal mode sequence was initiated by a spacecraft or internal instrument command or a safing operation (spacecraft safhold or solar avoidances). See [Table B-10](#), note 123.

### DS-4 Mode Sequence Has Changed

This parameter is for internal flight code usage and is used for instrument ground testing only. This value should always = 0.

### DS-5 Sequence Command Index

This parameter is a counter that points to the current short command being executed within an internal mode sequence or will contain the last sequence command at the completion of a sequence. The index range is nominally 0 .. 35.

### DS-6 Sequence Execution Status

This parameter indicates the current state of an internal mode sequence execution within a packet. This status is required since most sequences typically execute over multiple packets and are often synchronized to the azimuth gimbal motions (e.g., Waiting\_For\_Azimuth motion to complete) and packet boundaries (e.g., Waiting\_For\_Next\_Scan). The enumeration of this value is in [Table B-10](#), note 124. Azimuth gimbal synchronizations are required to prevent the bolometers from potentially viewing the Sun.

### **DS-7 Sequence Time to Next Command**

This parameter indicates the time remaining before the next command is to be executed in a currently executing mode sequence. This can provide the user with scheduling information so that external short commands will not overlap sequences in the middle of execution unless it is another mode sequence command. The converted value is computed using DRL-64 (See [Reference 2](#)) Algorithm Linear Coefficients 4N listed in [Table 8-4](#).

### **DS-8 Instrument Command Counter**

This parameter is a 16-bit counter that reflects the latest number of instrument command received on the command echo stack, regardless of its executability or source. However, if the instrument is unable to receive the command (e.g., via the spacecraft interface bus), this counter will not be updated. The corresponding command will also not be placed on the stack.

### **DS-9 Instrument On-board Command Stack Parameters**

The next forty parameters are associated with the on-board command stack that holds up to 8 commands each containing:

- Instrument Command Main 1-8
- Instrument Command Parameter 1-8
- Instrument Command Sample Number 1-8
- Instrument Command Status 1-8
- Instrument Command Source 1-8

The detailed breakdown of the 8 Instrument Command Main and 8 Instrument Command Parameters are shown in [Table B-11](#). The Instrument Command Sample Number indicates the sample number within the scan in which the command was received. The Instrument Command Status indicates the results of a given command's pre-execution correctness check (See [Table B-10](#), note 139). The Instrument Command Source identifies the originator of the command (See [Table B-10](#), note 140).

### **DS-10 Instrument Error Counter**

This parameter reflects the accumulated 16-bit count of any ICP or DAP microprocessor errors.

### **DS-11 Instrument Error Sample Number 1 - 8/Instrument Error Type 1 - 8**

These 16 parameters are associated with the on-board microprocessor error stack that holds up to 8 error conditions each containing an Instrument Error Sample Number and an Instrument Error Type. This stack reflects any flight code execution problems that occurred during instrument operation. This stack is independent of the command stack. The Instrument Error Type values are found in [Table B-10](#), note 141. The Error Sample Number indicates the sample number within the scan when the microprocessor error occurred.

### **DS-12 TOT/SW/WN Bridge Balance Control Status**

A parameter for each detector which indicates whether the bridge balance circuitry is off, resetting, or maintaining. See [Table B-10](#), note 101. During resets, coarse adjustment updates are performed. During maintaining, fine adjustment updates are made only when the internal spacelook average is between the Bridge Balance Window High Value and Low Values. This parameter reflects the results of the SET\_TOT/SW/WN\_BRIDGE\_BAL\_CONTROL\_MODE command.

**DS-13 TOT/SW/WN Bridge Balance DAC Update Status Value**

A parameter for each detector which indicates whether the bridge balance circuitry performed a fine adjustment update for the current packet. See [Table B-10](#), note 102. Any updating begins on the sample defined by the Bridge Balance DAC Update Sample Number parameter. If an update is needed for any of the three detector channels, then the updating procedure is activated for all three channels at the same time. However, only the selected channel will act on the revised DAC value, and the associated DAC update status parameter will change accordingly.

**DS-14 TOT/SW/WN Bridge Balance Reset Counter**

A parameter for each detector which indicates the number of scan counts the instrument is using to balance the bridge in a reset condition. The initial count is set by a successive approximation algorithm that estimates the number of scans to bring the bridge back into balance. The initial default value = 24. During resetting operations, this counter is decremented until it reaches zero. If the bridge is still not balanced, the procedure is repeated. Otherwise, the instrument will continue in a maintenance state.

**DS-15 TOT/SW/WN Spacelook Average**

A parameter for each detector which is an integer average of raw channel radiance counts for the number of samples bounded by the Bridge Balance Spacelook Start Sample Number and Bridge Balance Spacelook End Sample Number. This value is then used to determine if a balance DAC update (or reset) is required.

**LVL-0 TOT/SW/WN Bridge Balance DAC Coarse/Fine Value**

A parameter for each detector which indicates the current digital value (raw counts) used to control the bridge balance circuitry based on the last commanded value and is then recomputed every packet. These digital values are converted to an analog voltage using a Digital to Analog Converter (DAC). Under nominal conditions, this value should be around the middle of a 12-bit range. These values can be commanded to a set value using the SET\_TOT\_BRID\_BAL\_COARSE\_DAC\_VALUE or SET\_TOT\_BRID\_BAL\_FINE\_DAC\_VALUE, although these commands are not expected to be used under nominal conditions.

**DS-16 Bridge Balance Spacelook Start/End/Update Sample Numbers**

These parameters indicate the beginning, ending, and updating sample numbers for corresponding radiance count measurements that the flight code will use to determine the bridge balance's internal spacelook average. These values can only be changed in conjunction with a DAP\_Scan\_Table\_Load long command and are the same for all 3 radiometric channels.

- **Bridge Balance Spacelook Start Sample Number:** Default = 5
  - **Bridge Balance Spacelook End Sample Number:** Default = 25
  - **Bridge Balance DAC Update Sample Number:** Default = 644
- (However, the DAC updating process will actually require six samples, for a range of 644 .. 649, based on a scan sample count range of 0 .. 659).

**DS-17 Bridge Balance Window High/Low Value**

These parameters indicate the upper/lower edit limit count value for the spacelook averaging process used to determine if a bridge balance update should occur. These values can only be

changed in conjunction with a DAP\_Scan\_Table\_Load long command and are applied to all three radiometric channels.

- **Bridge Balance Window High Value:** Upper edit limit default value = 300
- **Bridge Balance Window Low Value:** Lower edit limit default value = 50

#### **DS-18 Bridge Balance Window Setpoint Value**

This parameter indicates the target spacelook average count value when the spacelook averaging process performs a bridge balance update. The default value is set = 225 for all three channels. This value can only be changed in conjunction with a DAP\_Scan\_Table\_Load long command.

#### **DS-19 TOT/SW/WN Detector Temperature Setpoint**

A parameter for each detector indicates the current temperature setpoint (in counts) that was last commanded to the heatsink temperature controller. The default value is 2048 (the middle of the 12-bit range). This value can be changed with the SET\_TOT/SW/WN\_SENSOR\_TEMP\_SETPOINT command.

#### **DS-20 TOT/SW/WN Detector Temperature Control Status**

A parameter for each detector indicates if the detector heatsink temperature controller is on or off. See [Table B-10](#), note 100. The normal default is on. This status can be changed using the SET\_TOT/SW/WN\_SENSOR\_TEMP\_CONTROL command.

#### **DS-21 Blackbody Temperature Setpoint**

This parameter indicates the current commanded temperature setpoint for the blackbody internal calibration source. The setpoint is keyed to the total blackbody channel, with the window channel ganged to the total channel. The default values are typically in counts corresponding to off (0), low (1550), medium (2650), or high (3750) settings. These count values correspond roughly to ~12.06, 31.88, 52.11 degree C, respectively. This status value will reflect changes in the SET\_BLACKBODY\_TEMP\_SETPOINT command.

#### **DS-22 Blackbody Temperature Control Status**

This parameter indicates if the blackbody heatsink temperature controller is on or off (See [Table B-10](#), note 100). The normal default is off. This status can be changed using the SET\_BLACKBODY\_SENSOR\_TEMP\_CONTROL command.

#### **DS-23 SWICS Intensity Level**

This parameter indicates the intensity level of the SWICS calibration source for the current packet. See [Table B-10](#), note 103. The default value is 0 (off). This status can be changed using the SET\_SWICS\_INTENSITY command. The Low (170), Medium (1401), and High (3145) count settings correspond roughly to 100, 250, and 400  $\text{Wm}^{-2}\text{sr}^{-1}$ , respectively.

#### **DS-24 Elevation Scan Mode**

This parameter indicates the status of the elevation gimbal scanning profile for the current packet as of the last sample in the current packet. See [Table B-10](#), note 108. Since elevation operations always begin and end on packet boundaries, this status will reflect the commanded scan profile that was implemented for the current packet and will be a reflection of the SET\_SCAN\_MODE command. Nominal parameter index values should range from 0 (stow) to 4 (nadir). The remaining index values are for ground testing only and should not be expected to be used on-orbit.

The various profiles are shown in [Figure 4-11](#). The stow position can be changed by the `Set_Elevation_Stow_Pos` command, although this is not expected to be used on-orbit.

### DS-25 Elevation On Deck Scan Mode

This parameter indicates the scan profile mode that is to be implemented at the beginning of the next scan. See [Table B-10](#), note 108. This status reflects operations as of the last sample in the packet. This value is typically a direct reflection of the command `SET_SCAN_MODE`. Nominal parameter index values should range from 0 (stow) to 4 (nadir). The remaining index values are for ground testing only and should not be expected to be used on-orbit. See [Table B-11](#) for details on elevation gimbal operations.

### DS-26 Elevation Scan Status

This parameter indicates the status of elevation scan operations for the current packet as of the last sample. See [Table B-10](#), note 109. Since elevation operations always begin and end on packet boundaries, this status will reflect the gimbal operations for the whole packet. During nominal scanning, this status value should be 0 (Normal\_Scan\_Operations). During transitions between profiles (e.g., Stow to Normal Earth Scan), this status will most likely indicate 2 (At\_Initialized\_Position). See [Table B-11](#) for details on elevation gimbal operations.

### DS-27 Elevation Motor Drive

This parameter indicates whether the elevation gimbal motor is enabled or disabled as of the last sample in the packet. See [Table B-10](#), note 115. The motor will automatically be disabled whenever the elevation gimbal is in the stow position. Otherwise, it should be enabled.

### DS-28 Elevation Encoder LED Intensity

This parameter indicates whether the LED used to read the elevation gimbal encoder is set to a low or high power setting as of the last sample in the current packet. See [Table B-10](#), note 110. The normal condition is a low (0) setting. Over time, environmental conditions are expected to degrade the LED's optical power output which will require the power to be set to high by the `SET_ELEVATION_ENCODER_LED` command.

### DS-29 Elevation Stall

This parameter indicates if the elevation gimbal has stalled during the current packet. See [Table B-10](#), note 136. Stalling occurs whenever the number of encoder counts exceeds the commanded count (i.e., the difference value) by the Elevation Stall Error Threshold AND this condition has occurred for more than Elevation Stall Count Threshold (samples). When a stall occurs, the elevation will be internally commanded to stop and the Elevation Scan Mode should indicate either `Scan_Abort_In_Progress` or `Elevation_At_Aborted_Position`.

Table B-2. Elevation Encoder Defined Offset (counts)

PFM	FM1	FM2	FM3	FM4
65082 (-453)	65319 (-216)	58	48	32947 (*)
(*) FM4 is installed 180 degrees out-of-phase, per detailed design document.				

**DS-30 Elevation Stall Error Threshold**

This parameter indicates the defined count threshold for the difference between the commanded gimbal position and the actual gimbal position that would indicate a possible gimbal stall condition. The default value is 32767 and can be changed with the SET\_ELEVATION\_STALL\_ERROR\_THRESHOLD command. When this threshold and the Elevation Stall Count Threshold are both exceeded, the elevation gimbal will be internally commanded to stop and the stall status indicator set.

**DS-31 Elevation Stall Count Threshold**

This parameter indicates the defined threshold for the number of samples the elevation gimbal position error exceeds the Elevation Stall Error Threshold. The default value is 660 samples and can be changed with the SET\_ELEVATION\_STALL\_COUNT\_THRESHOLD command. When this threshold and the Elevation Stall Error Threshold are both exceeded, the Elevation gimbal will be internally commanded to stop and the stall status indicator set.

**DS-32 Elevation Position Error Samples 1 - 3**

These three parameters indicate the count value corresponding to the difference between the commanded elevation position and the actual encoder position. While this position error value is computed for every sample, a value is output here that corresponds to

- **Sample 1:** sample number 120 (of samples 0 .. 659)
- **Sample 2:** sample number 336 (of samples 0 .. 659)
- **Sample 3:** sample number 505 (of samples 0 .. 659).

**DS-33 Main Cover Command**

This parameter indicates the last command that was directed to the main cover assembly. See [Table B-10](#), note 104. During nominal mission operations, this status should generally indicate Cover\_Stop (0) or Cover\_Open (1). This status will reflect the COMMAND\_COVER\_MAIN, STEP\_MAIN\_COVER\_TO\_OPEN, or STEP\_MAIN\_COVER\_TO\_CLOSE commands. There are no plans to close the cover after initial on-orbit instrument checkout.

**DS-34 Main Cover Motion Status**

This parameter indicates the motion status of the main cover during the current packet as of the last sample. See [Table B-10](#), note 105. During nominal mission operations, this status should generally indicate Cover\_Stopped (0). There are no plans to move the cover after initial on-orbit instrument checkout.

**DS-35 Main Cover Position Status**

This parameter indicates where the cover is currently positioned as of the last sample in the packet. See [Table B-10](#), note 106. During nominal mission operations, this status should generally indicate Cover\_At\_Opened\_Position (1). However, it may also indicate Potentially\_Failed\_Position\_Sensor. This indicator simply means that the cover “overshot” its defined opened (or closed) position and is not indicative of a problem. There are no plans to move the cover after initial on-orbit instrument checkout.

**DS-36 Main Cover Sensor Active**

This parameter indicates which of the two position sensors is being used to measure the cover position. See [Table B-10](#), note 107. The default is sensor\_1 (0). There are two sensors, one for

each turncrew rail and are used during cover motion to sense possible difference drive signals that could cause racking (stalling) by the covers. This status will reflect changes to the SET\_MAIN\_COVER\_ACTIVE\_POSITION\_SENSOR command.

### DS-37 Main Cover Commanded Position

This parameter indicates the raw count position the cover was commanded to as of the last sample in the packet. During nominal mission operations, this is expected to correspond to the opened, defined position within defined margins. This status may also reflect fixed stepped commanded positions.

### DS-38 Main Cover Accumulated Lag Error Sensor 1 and Sensor 2

These 2 parameters indicate the sum of a lag starting error plus the current lag error. The starting error is equal to the position value when the cover motion command is initiated minus any position difference that may have already accumulated. The current lag error is calculated by taking the absolute value of the estimated position minus the current position read from the corresponding position sensors. The estimated position is calculated as follows:

$$\text{estimated\_pos} = \text{starting\_pos} + (\text{motor\_step\_count} / \text{number\_steps\_per\_ADC\_count})$$

The resulting accumulated lag errors for each of the 2 sensors is used for determining possible stalling conditions. Note, stalling conditions are determined in part when this error value exceeds the internal default value or the value set by the Set\_Main\_Cover\_Sensor\_1\_Lag\_Error command for Sensor 1 or Set\_Main\_Cover\_Sensor\_2\_Lag\_Error command for Sensor 2. During nominal mission operations, these values are generally ignored.

### DS-39 Main Cover Fixed Step Count

This parameter indicates the current raw count position of the last sample in the packet for any fix-step commanding actions. During nominal mission operations, this value is expected to be zero.

### DS-40 Main Cover Defined Closed/Open Position

These two parameters indicate a Main Cover fixed closed/open position setpoint. The nominal default values for each instrument, as specified in the flight codes, are shown in [Table B-3](#) below. These default values can only be changed with a DAP unique memory long command.

Table B-3. Main Cover Default Position Values (counts)

Position Setpoints	PFM	FM1	FM2	FM3	FM4
Closed - Sensor 1	241	466	296	N/A	351
Closed - Sensor 2	238	330	330	N/A	404
Opened - Sensor 1	3164	3406	3263	N/A	3330
Opened - Sensor 2	3143	3320	3227	N/A	3331

### DS-41 Main Cover Defined Closed/Open Margin

These two parameters indicate a Main Cover fixed position allowable margin about the predefined close/open setpoints. The default values for each instrument, as specified in the flight codes, are

shown in [Table B-4](#) below. The default values apply to both position sensors 1 and 2 and can only be changed with a DAP unique memory long command

Table B-4. Main Cover Default Margin Values (counts)

Margin Setpoints	PFM	FM1	FM2	FM3	FM4
Closed - Sensor 1	30	30	30	N/A	30
Closed - Sensor 2	30	30	30	N/A	30
Opened - Sensor 1	30	30	30	N/A	30
Opened - Sensor 2	30	30	30	N/A	30

#### DS-42 MAM Cover Command

This parameter indicates the last command that was directed to the MAM cover assembly. See [Table B-10](#), note 104. During nominal mission operations, this status should generally indicate Cover\_Open or Cover\_Stop. This status will reflect the COMMAND\_COVER\_MAM, STEP\_MAM\_COVER\_TO\_OPEN, or STEP\_MAM\_COVER\_TO\_CLOSE commands. There are no plans to close the cover after initial on-orbit instrument checkout.

#### DS-43 MAM Cover Motion Status

This parameter indicates the motion status of the MAM cover during the current packet as of the last sample. See [Table B-10](#), note 105. During nominal mission operations, this status should generally indicate Cover\_Stopped (0). There are no plans to move the cover after initial on-orbit instrument checkout.

#### DS-44 MAM Cover Sensor Active

This parameter indicates which position sensor is being used to measure the cover position. See [Table B-10](#), note 107. The default is sensor\_1 (0) as there is only one sensor used for the MAM cover assembly.

#### DS-45 MAM Cover Commanded Position

This parameter indicates the raw count position the cover was commanded to as of the last sample in the packet. During nominal mission operations, this is expected to correspond to the opened, defined position within defined margins. This status may also reflect fixed stepped commanded positions.

#### DS-46 MAM Cover Fixed Step Count

This parameter indicates the current raw count position as of the last sample in the packet for any fix stepping commanding actions. During nominal mission operations, this value is expected to be zero.

#### DS-47 MAM Cover Defined Closed/Open Position

These two parameters indicate a MAM Cover fixed closed/open position setpoint. The default values can only be changed with a DAP unique memory long command. The default values for each instrument, as specified in the flight codes, are shown in [Table B-5](#) below



Table B-5. MAM Cover Default Position Values (counts)

Position Setpoints	PFM	FM1	FM2	FM3	FM4
Closed	801	851	846	N/A	898
Opened	1924	1995	1980	N/A	2050

**DS-48 MAM Cover Defined Closed/Open Margin**

These two parameters indicate a MAM Cover fixed position allowable margin about the predefined close/open setpoints. The default can only be changed with a DAP unique memory long command. The default values for each instrument, as specified in the flight codes, are shown in [Table B-6](#) below.

Table B-6. MAM Cover Default Margin Values (counts)

Margin Setpoints	PFM	FM1	FM2	FM3	FM4
Closed	10	20	20	N/A	20
Opened	10	20	20	N/A	20

**DS-49 DAP/ICP Watchdog Boot Status**

This parameter indicates whether an instrument reset was caused by the DAP/ICP watch dog timer or by normal power up. See [Table B-10](#), note 127. Default is normal power up.

**DS-50 DAP/ICP Watchdog Enable Status**

This parameter indicates whether the watchdog timer will generate an instrument reset on the DAP/ICP. See [Table B-10](#), note 128. This is commanded using the SET\_WATCHDOG\_TIMER\_DAP/ICP command. Default is armed. Note, the watchdog is disarmed after a time-out or a commanded reset (not available on the PFM (TRMM) instrument). Instrument recovery procedures should re-arm the watchdog timer.

**DS-51 DAP/ICP PROM Power Status**

This parameter indicates if the PROM power is on or off. See [Table B-10](#), note 129. Normally the PROMs are off except for initial power up. It is expected that within the first packet or two, this status will switch to off. PROM power can be enabled by the SET\_PROM\_POWER\_DAP/ICP command.

**DS-52 DAP/ICP Sample Clock Interrupt Occurred**

This parameter is an internal instrument flight code only parameter (should always = zero).

**DS-53 DAP/ICP Processor Scan Period Count**

This parameter indicates the scan period counter associated with the execution of an internal sequence operation. This counter is reset to zero at the start of a sequence and will update at each scan for the duration of the execution time. The count value at the end of a sequence will remain until another sequence is executed.

**DS-54 DAP/ICP Memory Dump Start Address Offset/Segment**

These parameters indicate the offset/segment portions of a 20-bit memory address corresponding to a memory dump data word starting at the beginning of a packet. For the first packet of a memory dump, these parameters should reflect the SET\_MEM\_DUMP\_START\_OFFSET\_DAP/ICP command or the SET\_MEM\_DUMP\_START\_SEGMENT\_DAP/ICP command. For subsequent packets, it will be an incremental value.

- **Start Address Offset:** Represents the 16-bits added to the shifted segment address.
- **Start Address Segment:** Represents the 16-bits which is shifted left by 4 bits and summed with the 16-bit offset value to yield the 20-bit absolute address.

**DS-55 DAP/ICP Memory Dump End Address Offset/Segment**

These parameters indicate the offset/segment portion of memory address corresponding to a memory dump data word for the end of a packet. For the last packet at the end of a memory dump, these parameters should reflect the SET\_MEM\_DUMP\_END\_OFFSET\_DAP/ICP command or the SET\_MEM\_DUMP\_END\_SEGMENT\_DAP/ICP command.

- **End Address Offset:** Represents the 16-bits added to the shifted segment address.
- **End Address Segment:** Represents the 16-bits which is shifted left by 4 bits and summed with the 16-bit offset value to yield the 20-bit absolute address.

**DS-56 DAP/ICP Packet Start Address Offset/Segment**

This parameter indicates the offset/segment portion of the memory address for the start of the current packet in a memory dump operation.

- **Start Address Offset:** Represents the 16-bits added to the shifted segment address.
- **Start Address Segment:** Represents the 16-bits which is shifted left by 4 bits and summed with the 16-bit offset value to yield the 20-bit absolute address.

**DS-57 DAP/ICP Address Changes Indicator**

This parameter is an internal instrument flight code only parameter (should always = zero).

**DS-58 DAP/ICP Minimum/Maximum Sample Number**

These parameters indicate the sample during the packet when the shortest/longest DAP/ICP execution time occurred. The range is 0 .. 659, inclusive.

**DS-59 DAP/ICP RAM Code Checksum**

This parameter indicates the internally computed checksum value for the DAP/ICP RAM (Random Access Memory) code. This value is updated whenever new memory patches are loaded using the DAP/ICP\_Memory\_Load long commands. Updates to the instrument memory are expected after every power-on or reset. See [Section B.5](#) for more details and the currently known checksum values for patches on each instrument.

Table B-7. ICP and DAP Expected RAM Values (1 of 2)

Instrument	ICP (Dec/Hex)	DAP (Dec/Hex)
PFM	11345 (2C51)	29832 (7488)
FM1	59486 (E85E)	11640 (2D78)
FM2	36617 (8F09)	45410 (B162)

Table B-7. ICP and DAP Expected RAM Values (2 of 2)

Instrument	ICP (Dec/Hex)	DAP (Dec/Hex)
FM3	N/A	N/A
FM4	N/A	N/A

**DS-60 DAP/ICP ROM Code Checksum**

This parameter indicates the internally computed checksum value for the DAP/ICP ROM (Read Only Memory) code. This value is based on the preprogrammed flight code and is not expected to change. It will be different for each instrument as shown in [Table B-8](#). See [Section B.5](#) for more details.

Table B-8. DAP and ICP ROM Code Checksums

Instrument	ICP (Dec/Hex)	DAP (Dec/Hex)
PFM	60704 (ED20)	24364 (5F2C)
FM1	14198 (3776)	53947 (D2BB)
FM2	15311 (3BCF)	36400 (8E30)
FM3	N/A	N/A
FM4	N/A	N/A

**DS-61 Azimuth Mode**

This parameter indicates the configuration status of the azimuth gimbal action for the current packet. See [Table B-10](#), note 111. This status will generally reflect that the azimuth is going to a Goto\_X position, is performing an A\_B slewing operation, or is stopped. When the instrument is in the nominal Crosstrack mode, this parameter should indicate Goto\_Position\_Crosstrack. For the nominal Biaxial mode, this parameter should indicate Scan\_A\_B\_Asynchronously. This parameter will generally reflect the Command\_Azimuth\_Goto\_Position command upon completing execution. Upon any power up or reset conditions, this status should indicate Initialized.

**DS-62 Azimuth Motion Status**

This parameter indicates the motion of the azimuth gimbal as of the last sample in the current packet. See [Table B-10](#), note 112. Note that this parameter does NOT provide any indication of azimuth motion during the packet (i.e., stopped at the beginning of the packet and then started moving in the middle and vice-versa).

**DS-63 Azimuth Direction Status**

This parameter indicates the direction the azimuth gimbal was moving as of the last sample in the current packet. See [Table B-10](#), note 113. Whenever the gimbal is not moving, this parameter will normally indicate a forward direction. Forward direction is indicated with increasing encoder angles. This parameter does NOT provide any indication of azimuth direction during the packet (i.e., stopped or turned around at an A\_B slew point).

**DS-64 Azimuth Position Status**

This parameter indicates the azimuth gimbal position as of the last sample in the current packet. See [Table B-10](#), note 114. When the instrument is in the nominal Crosstrack mode or is performing an Alongtrack operation, this parameter should indicate `At_Goto_Position`. For the nominal Biaxial mode, this parameter should indicate `In_Motion`. When the azimuth has transitioned to a `A_B` start point, it should indicate `At_Scan_Position`. However, mission experience indicates that once the azimuth has reached the A-B position, it will immediately begin performing the A-B rotation, which would set this parameter to `In_Motion`. Should the azimuth be commanded to stop, this parameter should indicate `At_Stopped_Position`. Upon Instrument power application, this status will indicate `At_Initial`.

**DS-65 Azimuth Motor Drive Status**

This parameter indicates whether the azimuth gimbal is enabled or disabled as of the last sample in the current packet. See [Table B-10](#), note 115. The normal condition is enabled except during safing conditions when the azimuth brake is applied or caged. (Unlike ERBE, the azimuth drive enabling is not commandable via short commands.)

**DS-66 Azimuth Encoder LED Status**

This parameter indicates whether the LED used to read the azimuth gimbal encoder is set to a low or high power setting as of the last sample in the current packet. See [Table B-10](#), note 110. The normal condition is a low setting. Over time, environmental conditions are expected to degrade the LED's optical power output which will require the power to be set to high by the `SET_AZIMUTH_ENCODER_LED` command.

**DS-67 Azimuth Stall**

This parameter indicates if the azimuth gimbal has stalled during the current packet. See [Table B-10](#), note 136. Stalling occurs whenever the number of encoder counts exceeds the commanded count (i.e., the difference value) by the Azimuth Stall Error Threshold AND this condition has occurred for more than Azimuth Stall Count Threshold (samples). When a stall occurs, the azimuth will be internally commanded to stop and the Azimuth Mode should indicate `Stop_Azimuth`. An occasional anomaly has been identified upon PFM Instrument power-up. A condition can occur where the ICP incorrectly reads the azimuth position (e.g., ~23 degrees) when it is really at the crosstrack, 180 degrees. When the Instrument is commanded to release the Brake, a "runaway" gimbal can occur that tries to move the gimbal from the start-up position to the incorrect position. The resulting very large position difference will cause this stall parameter to be set. However, the expected `Stop_Azimuth` command will not be executed.

**DS-68 Azimuth Stall Error Threshold -**

This parameter indicates the defined count threshold for the difference between the commanded gimbal position and the actual gimbal position that would indicate a possible gimbal stall condition. The default value is 500 and can be changed with the `SET_AZIMUTH_STALL_ERROR_THRESHOLD` command. When this threshold and the Azimuth Stall Count Threshold are both tripped, the azimuth gimbal will be internally commanded to stop and the stall status indicator set.

**DS-69 Azimuth Stall Count Threshold -**

This parameter indicates the defined threshold for the number of samples the azimuth gimbal position error exceeds the Azimuth Stall Error Threshold. The default value is 10 samples and can be changed with the SET\_AZIMUTH\_STALL\_COUNT\_THRESHOLD command. When this threshold and the Azimuth Stall Error Threshold are both tripped, the azimuth gimbal will be internally commanded to stop and the stall status indicator set.

**DS-70 Brake Command Status -**

This parameter indicates the last command that was sent to the brake assembly. See [Table B-10](#), note 116. During nominal science operations, this status should generally indicate Release. During safing operations, this status should generally indicate either apply or stop. The Fixed\_Step\_To\_Cage/Apply are expected to be used only when mechanical difficulties occur. This status parameter will reflect any changes made by the following commands: COMMAND\_BRAKE, STEP\_BRAKE\_TO\_CAGED, or STEP\_BRAKE\_TO\_APPLIED.

**DS-71 Brake Motion Status -**

This parameter indicates the motion of the brake assembly for the current packet as of the last sample. See [Table B-10](#), note 117. During nominal science operations, this status should generally indicate Stopped. During safing operations, this status generally indicates applying (going into a safing operation), releasing (going back to science operations), or stopped.

**DS-72 Brake Position Status -**

This parameter indicates the position of the brake assembly for the current packet as of the last sample. See [Table B-10](#), note 118. During nominal science operations, this status should generally indicate At\_Released\_Position. During safing operations, this status should generally indicate At\_Applied\_Position. The brake assembly is essentially a rocker arm that pivots about a center point. When one end is placed against the azimuth gimbal, the brake will be applied. When the other end is placed against the azimuth assembly, the brake will be caged (but only if the azimuth is at the predefined cage position). When neither end is placed against the azimuth assembly, the brake is in its released position.

**DS-73 Brake Commanded Position -**

This parameter indicates the position count value to which the brake assembly was commanded within the current packet. During nominal operations, this value will reflect one of the predefined fixed positions (typ. released or applied). During any stepping operations, this value will reflect the position commanded by the ground controller.

**DS-74 Brake Current Position -**

This parameter indicates the position of the brake (in counts) for the current packet as of the last sample. During normal science operations, this value should correspond to the predefined release position, plus or minus the release position margin. During safing operations, this position value should correspond to the predefined applied position, plus or minus the applied position margin.

**DS-75 Brake Position SUBMUX Channel -**

This parameter indicates the instruments submultiplexer channel for the current packet as of the last sample in the packet. Each channel corresponds to a given analog sensor to be sampled by the Analog to Digital Converter (ADC) and placed in the packet based on the packet format and

sample number. This value is expected to be 163, the designated channel for the brake position sensor.

#### **DS-76 Brake Step Count -**

This parameter indicates the current brake position (in counts) as of the last sample in the packet. This count is active whenever the brake has been commanded to perform fixed step operations; otherwise, this value should correspond to 0.

#### **DS-77 Brake Defined Released/Applied/Cage Position -**

These parameters indicate a brake fixed released/applied/caged position setpoint. The default values for each instrument, as specified in the flight codes, are shown in [Table B-9](#) below. The default values can only be changed with a ICP unique memory patch long command. (See [Section B.5](#) for format details.)

Table B-9. Brake Default Positions (counts)

Position Setpoints	PFM	FM1	FM2	FM3	FM4
Released	800	800	800	N/A	710
Applied	685	685	698	N/A	602
Caged	1027	1027	1027	N/A	962

#### **DS-78 Brake Defined Released/Applied/Cage Margin -**

This parameter indicates a brake fixed position allowable margin about the predefined released setpoint. Its default values are shown below and are the same for all instruments. This default value can only be changed with a ICP unique memory patch long command. (See [Section B.5](#) for format details.)

- **Released Margin:** Default value corresponds to 50 counts
- **Applied Margin:** Default value corresponds to 5 counts
- **Cage Margin:** Default value corresponds to 5 counts

**The next four (4) status parameters are unique to the CERES instrument on the TRMM spacecraft:**

#### **DS-79 Safehold Input A Status/B Status -**

These 2 parameters indicate if the instrument has been commanded into a safing condition by a signal sent via the spacecraft's safehold bus A or bus B. See [Table B-10](#), note 125. The normal default is 0 (Normal\_Operations). The instrument will respond to this signal only if the safehold response for the A bus has been enabled.

#### **DS-80 Safehold Response A Status/B Status -**

These 2 parameters indicate whether the instrument will respond to a safe-hold pulse on the A or the B input side. The response is set by the SET\_SAFE\_HOLD\_RESPONSE\_A or SET\_SAFE\_HOLD\_RESPONSE\_B command and responds immediately to this command. The normal default is Enable. One of the two safehold responses must be enabled at all times for safety reasons. See [Table B-10](#), note 126.

**The next seven (7) status parameters are unique to the CERES FM1 and FM2 instruments on the Terra spacecraft.**

**DS-81 Low Rate Science Transfer Status -**

This parameter indicates if the low rate science transfer interface bus is enabled or disabled. See [Table B-10](#), note 144. The default is 0 (Enabled). This parameter reflects the LOW\_RATE\_SCIENCE\_TRANSFER\_ENABLE command.

**DS-82 Safemode Signal Received -**

This parameter indicates if the instrument has been commanded into a safe condition by the spacecraft's safing interface. See [Table B-10](#), note 144. The normal default is 0 (Signal\_Not\_Received).

**DS-83 Safemode Signal Response -**

This parameter indicates if the instrument has responded to the Safemode Signal from the spacecraft safing interface by safing itself. See [Table B-10](#), note 143. The normal default is 1 (Enabled).

**DS-84 IMOK Signal Received -**

This parameter indicates if the instrument has received an IMOK (pronounced "I'm Ok") signal from the spacecraft's interface. See [Table B-10](#), note 145. The normal default is 0 (Signal\_Received).

**DS-85 IMOK Signal Response -**

This parameter indicates if the instrument has responded to the IMOK (pronounced "I'm Ok") Signal Received from the spacecraft's interface. See [Table B-10](#), note 143. The normal default is 1 (Enabled). This parameter reflects the SET\_IMOK\_SIGNAL\_RESPONSE command. This signal is used in conjunction with spacecraft safing conditions.

**DS-86 Time Mark & Frequency Bus Select -**

This parameter indicates which spacecraft timing bus to use for the packet time stamp. See [Table B-10](#), note 146. The default is 0 (Bus\_A\_Selected). This parameter reflects the SELECT\_TIME\_MARK\_FREQUENCY\_BUS command.

**DS-87 Time Mark & Frequency Interrupt -**

This parameter indicates a spacecraft timing bus interruption has occurred. See [Table B-10](#), note 147. The default is 0 (No\_Time\_Frequency\_Interrupt). This parameter reflects the SET\_TIME\_MARK\_FREQUENCY\_RESPONSE command.

**DS-88 DMA Communication Status -**

This parameter indicates the status of the ICP-to-DAP DMA (Direct Memory Access) activity as of the last sample for the current packet. See [Table B-10](#), note 138. The DMA is under the control of the ICP and is the only mechanism for transferring commands and data between the two processors.

**DS-89 SPS 1 State/SPS 2 State -**

These parameters indicate if the Sun was detected on Solar Presence Sensor 1/Solar Presence Sensor 2 as of the last sample during the current packet. See [Table B-10](#), note 130. A Sun presence state assumes these sensors were enabled by the Set\_SPS1\_Response or the Set\_SPS2\_Response command. A Sun detected signal is used as an input by the solar avoidance algorithm for determining if the instrument should be safed due to the Sun possibly coming into the FOV of the bolometer detectors. (See [Algorithm 6 - Solar Presence Sensor \(SPS\)](#): on Solar Avoidance for further details.)

**DS-90 SPS 1 Response/SPS 2 Response -**

These parameters indicate whether the instrument will execute a SAFE mode sequence in response to a solar warning by the solar presence sensors. See [Table B-10](#), note 131. (See [Algorithm 6 - Solar Presence Sensor \(SPS\)](#): on Solar Avoidance for further details.) These parameters reflect the SET\_SPS1\_RESPONSE or SET\_SPS2\_RESPONSE commands. Default = ENABLED.

**DS-91 Solar Warning -**

This parameter indicates that the instrument's solar presence sensors have confirmed the Sun is within the FOV of the sensors and that potential damage to the radiometers may result. See [Table B-10](#), note 133. Should a warning occur, the instrument will automatically command the instrument to the safe mode using the safe mode internal sequence.

**DS-92 Scan Time-out Response -**

This parameter indicates the response the instrument will take if the elevation scan counter reaches 0 during biaxial scanning. See [Table B-10](#), note 134. If the response is enabled and the counter reaches 0, the instrument will execute the Special\_Short\_Earth\_Scan mode sequence which causes the elevation gimbal to begin a short-earth scan profile. The parameter is controlled with the SET\_SCAN\_TIMEOUT\_RESPONSE command.

**DS-93 Scan Time-out Counting -**

This parameter indicates whether the solar avoidance scan time-out counting condition is active. See [Table B-10](#), note 135. Scan time-out counting will be active when the instrument is performing an azimuth biaxial scan, an elevation normal-earth scan, and the Scan Time-out Response is enabled.

**DS-94 Scan Time-out Occurred -**

This parameter indicates whether a solar avoidance scan time-out condition has occurred during this packet. See [Table B-10](#), note 142. A time-out occurs when the scan time-out counter has reached zero. Upon reaching zero, the instrument will be commanded to perform a special short-earth scan internal mode sequence. (See [Algorithm 6 - Solar Presence Sensor \(SPS\)](#): on Solar Avoidance for further details.)

**DS-95 Solar Warning Event Sample Number -**

This parameter indicates the sample number when a solar warning occurred and the instrument was commanded to a safing condition.



**DS-96 Solar Warning Event Scan Period -**

This parameter indicates the scan count value when a solar warning occurred and the instrument was commanded to a safing condition. (See [Algorithm 6 - Solar Presence Sensor \(SPS\)](#): on Solar Avoidance for further details.)

**DS-97 Scan Time-out Scan Period -**

This parameter indicates the scan count value when a solar avoidance time-out condition last occurred and the instrument was commanded to perform a special short-earth scan internal mode sequence. (See [Algorithm 6 - Solar Presence Sensor \(SPS\)](#): on Solar Avoidance for further details.)

**DS-98 SPS 1/SPS 2 Threshold Noise -**

These parameters indicate the count value used by the solar detection algorithm to determine a valid solar sensor detection by the wide FOV signal. The default value is 500 counts. These parameters reflect the SET\_SPS1\_THRESHOLD\_NOISE or SET\_SPS2\_THRESHOLD\_NOISE command. (See [Algorithm 6 - Solar Presence Sensor \(SPS\)](#): on Solar Avoidance for further details.)

**DS-99 SPS 1/SPS 2 Threshold Scale Numerator -**

These parameters indicate a scaling coefficient used in the solar detection algorithm (narrow FOV to wide FOV ratio). The default value is 32. This parameter reflects the SET\_SPS1\_THRESHOLD\_NUMERATOR or SET\_SPS2\_THRESHOLD\_NUMERATOR commands. (See [Algorithm 6 - Solar Presence Sensor \(SPS\)](#): on Solar Avoidance for further details.)

**DS-100 SPS 1/SPS 2 Solar Detection State -**

These parameters indicate the results of the solar detection algorithm for this packet. See [Table B-10](#), note 132. This status will indicate the Sun is present only when the number of valid wide FOV detections exceeds the detection count threshold. This detection algorithm operates continually. (See [Algorithm 6 - Solar Presence Sensor \(SPS\)](#): on Solar Avoidance for further details.)

**DS-101 SPS 1/SPS 2 Solar Detection Count -**

These parameters indicate the number of detections the solar detection algorithm has registered in the packet. This detection counting algorithm operates continually. Due to the incrementing/decrementing nature of this algorithm, values will most likely be seen here only if the Sun is sensed during the later samples in a packet. (See [Algorithm 6 - Solar Presence Sensor \(SPS\)](#): on Solar Avoidance for further details.)

**DS-102 SPS 1/SPS 2 Solar Detection Count Threshold -**

These parameters indicate the number of detected solar samples needed to signify a confirmed solar detection condition has occurred. (See [Algorithm 6 - Solar Presence Sensor \(SPS\)](#): on Solar Avoidance for further details.) The default value is 5 samples. These parameters reflect the SET\_SPS1\_THRESHOLD\_COUNT or SET\_SPS2\_THRESHOLD\_COUNT command.

**DS-103 SPS 1/SPS 2 Solar Detection Max Count -**

These parameters indicate the maximum number of solar detections that were registered in the current scan, regardless of the current SPS 1/SPS 2 Solar Detection Count value. Since this detection operates continuously, these parameters are useful diagnostic indicators. (See [Algorithm 6 - Solar Presence Sensor \(SPS\)](#): on Solar Avoidance for further details.)

**DS-104 Solar Avoidance Initial Scan Count -**

This parameter indicates the starting scan count to be used for scan time-out counting. The internal default is 10 scans. This will reflect the last commanded value loaded with the SET\_SCAN\_TIMEOUT\_COUNT command. The value is determined based on orbital planning aids. (See [Algorithm 6 - Solar Presence Sensor \(SPS\)](#): on Solar Avoidance for further details.)

**DS-105 Solar Avoidance Current Scan Count -**

This decrementing counter reflects the number of 6.6 second scans remaining before the instrument executes a SPECIAL\_SHORT\_EARTH\_SCAN mode sequence. The initial count value is set using the SET\_SCAN\_TIMEOUT\_COUNT command. (See [Algorithm 6 - Solar Presence Sensor \(SPS\)](#): on Solar Avoidance for further details.)

**B.2 Digital Status Enumerations**

[Table B-10](#) contains the enumerated representation of the bit values for selected digital status parameters. These values are taken from DRL-64 ([Reference 2](#)) or the instrument flight code.

Table B-10. Digital Status Enumerations (1 of 4)

Note	Digital Status Representations	Note	Digital Status Representations
100	0 = Off 1 = On	101	0 = Bridge_Balance_Off 1 = Bridge_Balance_Maintenance 2 = Bridge_Balance_Reset
102	0 = DAC_Value_Unchanged 1 = DAC_Value_Changed	103	0 = Off 1 = Level_1 2 = Level_2 3 = Level_3
104	0 = Cover_Stop 1 = Cover_Open 2 = Cover_Close 4 = Fixed_Step_To_Open 5 = Fixed_Step_To_Close	105	0 = Cover_Stopped 1 = Cover_Opening 2 = Cover_Closing 4 = Cover_Stepping_Forward 5 = Cover_Stepping_Reverse 15 = Cover_Started_Moving
106	0 = Cover_Not_At_Open_Or_Close 1 = Cover_At_Open_Position 2 = Cover_At_Closed_Position 4 = Potentially_Failed_Position_Sensor	107	0 = Cover_Sensor_1 1 = Cover_Sensor_2

Table B-10. Digital Status Enumerations (2 of 4)

Note	Digital Status Representations	Note	Digital Status Representations
108	0 = Stow 1 = Normal_Earth_Scan 2 = Short_Earth_Scan 3 = MAM_Scan 4 = Nadir_Scan 5 = Noise_Scan_1 6 = Noise_Scan_2 7 = Cal Mode 5 (Terra = Cal Mode 22) 8 = Cal Mode 6A (Terra = Cal Mode 20A) 9 = Cal Mode 6B 10 = Cal Mode 7 11 = Cal Mode 8A 12 = Cal Mode 8B 13 = Cal Mode 11 (Terra = Cal Mode 9A) 14 = Cal Mode 12 15 = Cal Mode 14	109	0 = Normal_Scan_Operation 1 = Initialization_In_Progress 2 = At_Initialized_Position 3 = Scan_Abort_In_Progress 4 = Elevation_At_Aborted_Position
110	0 = Low 1 = High	111	0 = Goto_Position_Crosstrack 1 = Goto_Position_A 2 = Goto_Position_B 3 = Goto_Position_Solar_Cal 4 = Goto_Position_Caged 5 = Goto_Position_Spare_1 6 = Goto_Position_Spare_2 7 = Goto_Position_Spare_3 8 = Scan_A_B_Asynchronously 9 = Scan_A_B_Synchronously 10 = Stop_Azimuth 15 = Initialize
112	0 = Stopped 1 = Moving	113	0 = Forward 1 = Backward (Reverse)
114	0 = At_Goto_Position 1 = At_Stopped_Position 2 = At_Initial_Position 3 = At_Scan_Position 4 = In_Motion	115	0 = Disabled 1 = Enabled
116	0 = Stop 1 = Cage 2 = Apply 3 = Release 4 = Fixed_Step_To_Cage 5 = Fixed_Step_To_Apply	117	0 = Stopped 1 = Caging 2 = Applying 3 = Releasing 4 = Forward_Stepping 5 = Reverse_Stepping 15 = Started_Moving
118	0 = Not_At_Release_Applied_Or_Caged 1 = At_Caged_Position 2 = At_Applied_Position 3 = At_Released_Position 4 = Potentially_Failed_Position_Sensor	119	0 = Normal_Science_Data 1 = Calibration_Data 2 = Memory_Dump_Data 3 = Gimbal_Data 4 = Execution_Time_Data 5 = No_Archive_Data 6 = Fixed_Pattern_Data

Table B-10. Digital Status Enumerations (3 of 4)

Note	Digital Status Representations	Note	Digital Status Representations
120	0 = FTM 1 = PFM (TRMM) 2 = FM1 (Terra FOR) 3 = FM2 (Terra AFT) 4 = FM3 (Aqua FOR) 5 = FM4 (Aqua AFT) 6 = FM5 (Reserved)	121	0 = SpaceCraft_Timing 1 = Instrument_Timing
122	0 = Safe_Mode 1 = Standby_Mode 2 = Crosstrack_Mode 3 = Biaxial_Mode 4 = Solar_Calibration_Mode 5 = Diagnostic_Config_Mode 6 = Internal_Calibration_Mode 7 = Special_Short_Scan_Mode 8 = Contamination_Safe_Mode 9 = Hold_Mode 10 = Abbrev_Internal_Cal_Mode 11 = Internal Sequence 11 (Reserved) 12 = Internal Sequence 12 (Reserved) 13 = Internal Sequence 13 (Reserved) 14 = Internal Sequence 14 (Reserved) 15 = Internal Sequence 15 (Reserved)	123	0 = Command 1 = Safehold 2 = Solar_Avoidance 3 = Scan_Timeout
124	0 = Executing_Sequence 1 = Waiting_For_Next_Scan 2 = Waiting_For_Azimuth 3 = Sequence_Complete	125	0 = Normal_Operation 1 = Spacecraft_Safehold
126	0 = Response_Disabled 1 = Response_Enabled	127	0 = Normal_Reset (Not By Timeout) 1 = Watchdog_Reset (By Timeout)
128	0 = Enabled (Timer Disarmed) 1 = Disabled (Timer Armed)	129	0 = On 1 = Off
130	0 = Sun_Not_Present 1 = Sun_Present	131	0 = SPS_Response_Disabled 1 = SPS_Response_Enabled
132	0 = Sun_Not_Detected 1 = Sun_Detected	133	0 = No_Solar_Warning 1 = Solar_Warning
134	0 = Timeout_Response_Disabled 1 = Timeout_Response_Enabled	135	0 = Scan_Timeout_Not_Active 1 = Scan_Timeout_Active
136	0 = Not_Stalled 1 = Stalled	137	0 = Flag_Not_Set 1 = Flag_Set

Table B-10. Digital Status Enumerations (4 of 4)

Note	Digital Status Representations	Note	Digital Status Representations
138	0 = DMA_Communication_Ok 1 = DMA_Transmit_Timed_Out 2 = DMA_Receive_Timed_Out 3 = Sample_Numbers_Not_Sync	139	0 = Cmd_Accepted 1 = Cmd_Not_Used 2 = Cmd_Index_Out_Of_Range 3 = Cmd_Parameter_Out_Of_Range 4 = Cmd_Not_A_Valid_Short_Command 5 = Cmd_Not_A_Valid_Long_Command 6 = Cmd_Had_A_Incorrect_Checksum 7 = Cmd_Exceeded_Mode_Index 8 = Cmd_UnAccepted_In_Current_Mode 9 = Cmd_UnAccepted_During_Seq_Exec 10 = Cant_Use_Brake_While_Az_Moving 11 = Cant_Cage_Az_In_Current_Pos 12 = Cant_Move_Az_Brake_Unreleased 13 = Req_Mode_Invalid_In_Curr_Mode 14 = Pos_A_Must_Be_Less_Than_Pos_B
140	0 = Spacecraft 1 = Internal_Sequence	141	0 = No_Error 1 = Unexpected_Interrupt 2 = Illegal_Int_Seq_Control_Value 3 = Process_Short_Cmd_Illegal_Cmd 4 = Process_Long_Cmd_Illegal_Cmd 5 = Checksum_Illegal_Command 6 = Received_1553_Message_With_Err 7 = Incorrect_Initial_DMA_Syncs 8 = PackData_Illegal_Data_Indictr 9 = Int_Seq_Index_Limit_Exceeded 10 = Failed_At_Least_One_DAA_Comm 11 = Illegal_HK_Destination_Size 12 = Spurious_DAP_Sample_Clk_Intrpt 13 = Spurious_ICP_Sample_Clk_Intrpt 14 = ICP_got_to_DMA_Transfer_Late 20 = Potential_Failed_Brake_Sensor 21 = Potential_Failed_Cover_Sensor 22 = MainCover_Allowed_Lag_Exceeded 23 = Pckt_Transfer_Lockup_Detected 24 = DAA_ICA_Sample_Nums_Mismatch 25 = DAA_Reset_via_Contin_Comm_Fail 26 = EOSAM_Improper_SafeMode_Value 26 = EOSPM_Science_Packet_Xfer_Ok 50 = ICP_Detected_False_1553_Msg 63 = Undefined_Instrument_Cmd_Err
142	0 = No_Scan_Timeout 1 = Scan_Timeout_Occurred	143	0 = Response_Disabled 1 = Response_Enabled
144	0 = Signal_Not_Received 1 = Signal_Received	145	0 = Signal_Received 1 = Signal_Not_Received
146	0 = Bus_A_Selected 1 = Bus_B_Selected	147	0 = No_Time_Freq_Interrupt 1 = Time_Freq_Interrupt_Occurred

### B.3 CERES Instrument Commands

Table B-11 contains the enumerated representation of the bit values for the instrument digital status command parameters. These values are taken from DRL-64 (Reference 2) or the instrument flight code.

Table B-11. CERES Instrument Command Enumerations (1 of 7)

Link	Main Command Description	Main Value (Dec(Hex))	Parameter Index Values
[ICP COMMANDS]			
ICE-1	No_Command_ICP	0	N/A
ICE-2	Command_Azimuth_Goto_Position <sup>(1)</sup>	256 (100)	0 = Command_Azimuth_Goto_Crosstrack 1 = Command_Azimuth_Goto_Position_A 2 = Command_Azimuth_Goto_Position_B 3 = Command_Azimuth_Goto_SolarCal 4 = Command_Azimuth_Goto_Cage 5 = Command_Azimuth_Goto_Spare_1 6 = Command_Azimuth_Goto_Contam 7 = Command_Azimuth_Goto_Spare_3 8 = Command_Azimuth_Scan_AB_Async 9 = Command_Azimuth_Scan_AB_Sync 10 = Command_Azimuth_To_Stop
ICE-3	Set_Azimuth_Fixed_Crosstrack	512 (200)	0 .. 65535 = Fixed Raw Azimuth Position <sup>(2)</sup>
ICE-3	Set_Azimuth_Fixed_Position_A	513 (201)	0 .. 65535 = Fixed Raw Azimuth Position <sup>(2)</sup>
ICE-3	Set_Azimuth_Fixed_Position_B	514 (202)	0 .. 65535 = Fixed Raw Azimuth Position <sup>(2)</sup>
ICE-4	Set_Azimuth_Fixed_SolarCal	515 (203)	0 .. 65535 = Fixed Raw Azimuth Position <sup>(2)</sup>
ICE-4	Set_Azimuth_Fixed_Caged	516 (204)	0 .. 65535 = Fixed Raw Azimuth Position <sup>(2)</sup>
ICE-5	Set_Azimuth_Fixed_Spare_1	517 (205)	0 .. 65535 = Fixed Raw Azimuth Position <sup>(2)</sup>
ICE-5	Set_Azimuth_Fixed_Spare_2	518 (206)	0 .. 65535 = Fixed Raw Azimuth Position <sup>(2)</sup>
ICE-5	Set_Azimuth_Fixed_Spare_3	519 (207)	0 .. 65535 = Fixed Raw Azimuth Position <sup>(2)</sup>
ICE-6	Set_Azimuth_Rate_Goto_Rate	768 (300)	1371 = Fixed Raw Azimuth Rate (Typ.) <sup>(3)</sup>
ICE-7	Set_Azimuth_Rate_Async_Rate	769 (301)	1096 = Fixed Raw Azimuth Rate (Typ.) <sup>(3)</sup>
ICE-7	Set_Azimuth_Rate_Sync_Rate	770 (302)	913 = Fixed Raw Azimuth Rate (Typ.)
ICE-8	Command_Brake <sup>(1)</sup>	1024 (400)	0 = Command_Brake_Stop 1 = Command_Brake_Cage 2 = Command_Brake_Apply 3 = Command_Brake_Release
ICE-9	Step_Brake_To_Caged	1280 (500)	0 .. 1000 (Typ.)
ICE-9	Step_Brake_To_Applied	1536 (600)	0 .. 1000 (Typ.)

Table B-11. CERES Instrument Command Enumerations (2 of 7)

Link	Main Command Description	Main Value (Dec(Hex))	Parameter Index Values
<a href="#">ICE-10</a>	Set_Instrument_Mode <sup>(1)</sup>	4096 (1000)	0 = Set_Mode_Safe 1 = Set_Mode_Standby 2 = Set_Mode_Crosstrack 3 = Set_Mode_Biaxial 4 = Set_Mode_Solar_Cal 5 = Set_Mode_Diagnostic 6 = Set_Mode_Internal_Cal 7 = Set_Mode_Spec_Short_Scan 8 = Set_Mode_Contam_Safe 9 = Set_Mode_Hold 10 = Set_Mode_Abbrev_Int_Cal 11 = Set_Mode_Int_Seq_11 12 = Set_Mode_Int_Seq_12 13 = Set_Mode_Int_Seq_13 14 = Set_Mode_Int_Seq_14 15 = Set_Mode_Int_Seq_15
<a href="#">ICE-11</a>	Set_Safehold_Response_A <sup>(1)</sup> (TRMM Command)	4352 (1100)	0 = Set_Safehold_Response_A_Disabled 1 = Set_Safehold_Response_A_Enabled
<a href="#">ICE-11</a>	Set_Safehold_Response_B <sup>(1)</sup> (TRMM Command)	4353 (1101)	0 = Set_Safehold_Response_B_Disabled 1 = Set_Safehold_Response_B_Enabled
<a href="#">ICE-12</a>	Set_SPS1_Response <sup>(1)</sup>	46081 (1200)	0 = Set_SPS1_Response_Disabled 1 = Set_SPS1_Response_Enabled
<a href="#">ICE-12</a>	Set_SPS2_Response <sup>(1)</sup>	46091 (1201)	0 = Set_SPS2_Response_Disabled 1 = Set_SPS2_Response_Enabled
<a href="#">ICE-13</a>	Set_SPS1_Threshold_Noise	4864 (1300)	0 .. 4095 (Typ.)
<a href="#">ICE-13</a>	Set_SPS2_Threshold_Noise	4865 (1301)	0 .. 4095 (Typ.)
<a href="#">ICE-14</a>	Set_SPS1_Threshold_Numerator	5120 (1400)	0 .. 63 (Typ.)
<a href="#">ICE-14</a>	Set_SPS2_Threshold_Numerator	5121 (1401)	0 .. 63 (Typ.)
<a href="#">ICE-15</a>	Set_SPS1_Threshold_Count	5376 (1500)	0 .. 55 (Typ.)
<a href="#">ICE-15</a>	Set_SPS2_Threshold_Count	5377 (1501)	0 .. 55 (Typ.)
<a href="#">ICE-16</a>	Set_Scan_Timeout_Response <sup>(1)</sup>	56321 (1600)	0 = Set_Scan_Timeout_Response_Disabled 1 = Set_Scan_Timeout_Response_Enabled
<a href="#">ICE-17</a>	Set_Scan_Timeout_Count	5888 (1700)	0 .. 1000 (Typ.)
<a href="#">ICE-18</a>	Set_Quicklook_Flag <sup>(1)</sup>	64001 (1900)	0 = Set_Quicklook_Flag_Normal 1 = Set_Quicklook_Flag_Quicklook
<a href="#">ICE-19</a>	Select_Time_Mark_Frequency_Bus <sup>(1)</sup> (Terra/Aqua Command)	6656 (1A00)	0 = Bus A 1 = Bus B

Table B-11. CERES Instrument Command Enumerations (3 of 7)

Link	Main Command Description	Main Value (Dec(Hex))	Parameter Index Values
<a href="#">ICE-20</a>	Set_Time_Mark_Interrupt_Response <sup>(1)</sup> (Terra/Aqua Command)	6912 (1B00)	0 = Response_Disabled 1 = Response_Enabled
<a href="#">ICE-21</a>	Set_IMOK_Signal_Response <sup>(1)</sup> (Terra Command)	7168 (1C00)	0 = Response_Disabled 1 = Response_Enabled
<a href="#">ICE-22</a>	Set_Watchdog_Timer_ICP <sup>(1)</sup>	7680 (1E00)	0 = Set_Watchdog_Timer_ICP_Disarm 1 = Set_Watchdog_Timer_ICP_Arm
<a href="#">ICE-23</a>	Set_PROM_Power_ICP <sup>(1)</sup>	7936 (1F00)	0 = Set_PROM_Power_ICP_On 1 = Set_PROM_Power_ICP_Off
<a href="#">ICE-24</a>	Set_Mem_Dump_Start_Offset_ICP	8192 (2000)	0 .. 65535
<a href="#">ICE-25</a>	Set_Mem_Dump_Start_Segment_ICP	8448 (2100)	0 .. 65535
<a href="#">ICE-25</a>	Set_Mem_Dump_End_Offset_ICP	8704 (2200)	0 .. 65535
<a href="#">ICE-26</a>	Set_Mem_Dump_End_Segment_ICP	8960 (2300)	0 .. 65535
<a href="#">ICE-26</a>	Set_Azimuth_Encoder_LED <sup>(1)</sup>	9728 (2600)	0 = Set_Azimuth_Encoder_LED_Low 1 = Set_Azimuth_Encoder_LED_High
<a href="#">ICE-27</a>	Set_Azimuth_Offset_Correction	9984 (2700)	0 .. 65535
<a href="#">ICE-28</a>	Set_Azimuth_Stall_Error_Thres	10240 (2800)	0 .. 65535
<a href="#">ICE-29</a>	Set_Azimuth_Stall_Count_Thres	10496 (2900)	0 .. 659 (References number of samples)
<a href="#">ICE-30</a>	Set_Packet_Data_Type <sup>(1)</sup>	12288 (3000)	0 = Set_Packet_Data_Type_Normal 1 = Set_Packet_Data_Type_Cal 2 = Set_Packet_Data_Type_Mem 3 = Set_Packet_Data_Type_Gimbal 4 = Set_Packet_Data_Type_Execution 5 = Set_Packet_Data_Type_Noarchive 6 = Set_Packet_Data_Type_Fixed
<a href="#">ICE-31</a>	Low_Rate_Science_Transfer_Enable <sup>(1)</sup> (Terra Command)	12544 (3100)	0 = Transfer_Enabled 1 = Transfer_Disabled
<a href="#">ICE-32</a>	EOSAM_Load_Initiate <sup>(1)</sup> (Terra Command)	16128 (3F00)	0 = No_Action 1 = Load
[DAP COMMANDS]			
<a href="#">ICE-1</a>	No_Command_DAP	16384 (4000)	N/A



Table B-11. CERES Instrument Command Enumerations (4 of 7)

Link	Main Command Description	Main Value (Dec(Hex))	Parameter Index Values
<a href="#">ICE-33</a>	Set_Scan_Mode <sup>(1)</sup>	16640 (4100)	0 = Set_Scan_Mode_Stow 1 = Set_Scan_Mode_Normal_Earth 2 = Set_Scan_Mode_Short_Earth 3 = Set_Scan_Mode_MAM_Scan 4 = Set_Scan_Mode_Nadir_Scan 5 = Set_Scan_Mode_Noise_Test_1 6 = Set_Scan_Mode_Noise_Test_2 7 = Set_Scan_Mode_Cal_Mode_5 8 = Set_Scan_Mode_Cal_Mode_6A 9 = Set_Scan_Mode_Cal_Mode_6B 10 = Set_Scan_Mode_Cal_Mode_7 11 = Set_Scan_Mode_Cal_Mode_8A 12 = Set_Scan_Mode_Cal_Mode_8B 13 = Set_Scan_Mode_Cal_Mode_11 14 = Set_Scan_Mode_Cal_Mode_12 15 = Set_Scan_Mode_Cal_Mode_14
<a href="#">ICE-34</a>	Command_Cover_Main <sup>(1)</sup>	16896 (4200)	0 = Command_Cover_Main_Stop 1 = Command_Cover_Main_Open 2 = Command_Cover_Main_Close 3 = Command_Cover_Main_Unused
<a href="#">ICE-35</a>	Command_Cover_MAM <sup>(1)</sup>	16897 (4201)	0 = Command_Cover_MAM_Stop 1 = Command_Cover_MAM_Open 2 = Command_Cover_MAM_Close 3 = Command_Cover_MAM_Unused
<a href="#">ICE-36</a>	Set_SWICS_Intensity <sup>(1)</sup>	17152 (4300)	0 = Set_SWICS_Intensity_Off 1 = Set_SWICS_Intensity_Level_1 2 = Set_SWICS_Intensity_Level_2 3 = Set_SWICS_Intensity_Level_3
<a href="#">ICE-37</a>	Set_Blackbody_Temp_Setpoint	17408 (4400)	0 .. 4095
<a href="#">ICE-38</a>	Set_Blackbody_Temp_Control <sup>(1)</sup>	17664 (4500)	0 = Set_Blackbody_Temp_Control_Off 1 = Set_Blackbody_Temp_Control_On
<a href="#">ICE-39</a>	Set_TOT_Brid_Bal_Coarse_DAC_Val	17920 (4600)	0 .. 4095
<a href="#">ICE-39</a>	Set_SW_Brid_Bal_Coarse_DAC_Val	17921 (4601)	0 .. 4095
<a href="#">ICE-39</a>	Set_WN_Brid_Bal_Coarse_DAC_Val	17922 (4602)	0 .. 4095
<a href="#">ICE-40</a>	Set_TOT_Brid_Bal_Fine_DAC_Val	18176 (4700)	0 .. 4095
<a href="#">ICE-40</a>	Set_SW_Brid_Bal_Fine_DAC_Val	18177 (4701)	0 .. 4095
<a href="#">ICE-40</a>	Set_WN_Brid_Bal_Fine_DAC_Val	18178 (4702)	0 .. 4095
<a href="#">ICE-41</a>	Set_TOT_Brid_Bal_Control_Mode <sup>(1)</sup>	18432 (4800)	0 = Set_TOT_Brid_Bal_Control_Mode_Off 1 = Set_TOT_Brid_Bal_Control_Mode_On

Table B-11. CERES Instrument Command Enumerations (5 of 7)

Link	Main Command Description	Main Value (Dec(Hex))	Parameter Index Values
<a href="#">ICE-41</a>	Set_SW_Brid_Bal_Control_Mode <sup>(1)</sup>	18433 (4801)	0 = Set_SW_Brid_Bal_Control_Mode_Off 1 = Set_SW_Brid_Bal_Control_Mode_On
<a href="#">ICE-41</a>	Set_WN_Brid_Bal_Control_Mode <sup>(1)</sup>	18434 (4802)	0 = Set_WN_Brid_Bal_Control_Mode_Off 1 = Set_WN_Brid_Bal_Control_Mode_On
<a href="#">ICE-42</a>	Set_TOT_Sensor_Temp_Setpoint	18688 (4900)	0 .. 4095
<a href="#">ICE-42</a>	Set_SW_Sensor_Temp_Setpoint	18689 (4901)	0 .. 4095
<a href="#">ICE-42</a>	Set_WN_Sensor_Temp_Setpoint	18690 (4902)	0 .. 4095
<a href="#">ICE-43</a>	Set_TOT_Sensor_Temp_Control <sup>(1)</sup>	18944 (4A00)	0 = Set_TOT_Sensor_Temp_Control_Off 1 = Set_TOT_Sensor_Temp_Control_On
<a href="#">ICE-43</a>	Set_SW_Sensor_Temp_Control <sup>(1)</sup>	18945 (4A01)	0 = Set_SW_Sensor_Temp_Control_Off 1 = Set_SW_Sensor_Temp_Control_On
<a href="#">ICE-43</a>	Set_WN_Sensor_Temp_Control <sup>(1)</sup>	18946 (4A02)	0 = Set_WN_Sensor_Temp_Control_Off 1 = Set_WN_Sensor_Temp_Control_On
<a href="#">ICE-44</a>	Set_TOT_Sensor_Temp_Coef_A0	19200 (4B00)	-32768 .. 32767
<a href="#">ICE-44</a>	Set_SW_Sensor_Temp_Coef_A0	19201 (4B01)	-32768 .. 32767
<a href="#">ICE-44</a>	Set_WN_Sensor_Temp_Coef_A0	19202 (4B02)	-32768 .. 32767
<a href="#">ICE-45</a>	Set_TOT_Sensor_Temp_Coef_A1	19456 (4C00)	-32768 .. 32767
<a href="#">ICE-45</a>	Set_SW_Sensor_Temp_Coef_A1	19457 (4C01)	-32768 .. 32767
<a href="#">ICE-45</a>	Set_WN_Sensor_Temp_Coef_A1	19458 (RC02)	-32768 .. 32767
<a href="#">ICE-46</a>	Set_TOT_Sensor_Temp_Coef_B1	19712 (4D00)	-32768 .. 32767
<a href="#">ICE-46</a>	Set_SW_Sensor_Temp_Coef_B1	19713 (4D01)	-32768 .. 32767
<a href="#">ICE-46</a>	Set_WN_Sensor_Temp_Coef_B1	19714 (4D02)	-32768 .. 32767
<a href="#">ICE-47</a>	Set_TOT_Sensor_Temp_Coef_D0	19968 (4E00)	-32768 .. 32767
<a href="#">ICE-47</a>	Set_SW_Sensor_Temp_Coef_D0	19969 (4E01)	-32768 .. 32767
<a href="#">ICE-47</a>	Set_WN_Sensor_Temp_Coef_D0	19970 (4E02)	-32768 .. 32767
<a href="#">ICE-48</a>	Set_Main_Cover_Active_Pos_Sensor <sup>(1)</sup>	20480 (5000)	0 = Set_Main_Cover_Active_Pos_Sensor_1 1 = Set_Main_Cover_Active_Pos_Sensor_2

Table B-11. CERES Instrument Command Enumerations (6 of 7)

Link	Main Command Description	Main Value (Dec(Hex))	Parameter Index Values
<a href="#">ICE-49</a>	Step_Main_Cover_To_Open	20736 (5100)	0 .. 65535
<a href="#">ICE-50</a>	Step_MAM_Cover_To_Open	20737 (5101)	0 .. 65535
<a href="#">ICE-51</a>	Step_Main_Cover_To_Closed	20992 (5200)	0 .. 65535
<a href="#">ICE-52</a>	Step_MAM_Cover_To_Closed	20993 (5201)	0 .. 65535
<a href="#">ICE-53</a>	Set_Main_Cover_Sensor_1_Lag_Error	21248 (5300)	0 .. 255
<a href="#">ICE-53</a>	Set_Main_Cover_Sensor_2_Lag_Error	21249 (5301)	0 .. 255
<a href="#">ICE-54</a>	Set_Submux_Control <sup>(1)</sup>	23040 (5A00)	0 = Set_Submux_Control_Table 1 = Set_Submux_Control_Fixed_Channel
<a href="#">ICE-55</a>	Set_Submux_Fixed_Channel	23296 (5B00)	0 .. 255
<a href="#">ICE-56</a>	Set_Elevation_Stow_Pos	23552 (5C00)	0 .. 65535
<a href="#">ICE-22</a>	Set_Watchdog_Timer_DAP <sup>(1)</sup>	24064 (5E00)	0 = Set_Watchdog_Timer_DAP_Disarm 1 = Set_Watchdog_Timer_DAP_Arm
<a href="#">ICE-23</a>	Set_PROM_Power_DAP <sup>(1)</sup>	24320 (5F00)	0 = Set_PROM_Power_DAP_On 1 = Set_PROM_Power_DAP_Off
<a href="#">ICE-24</a>	Set_Mem_Dump_Start_Offset_DAP	24576 (6000)	0 .. 65535
<a href="#">ICE-24</a>	Set_Mem_Dump_Start_Segment_DAP	24832 (6100)	0 .. 65535
<a href="#">ICE-25</a>	Set_Mem_Dump_End_Offset_DAP	25088 (6200)	0 .. 65535
<a href="#">ICE-25</a>	Set_Mem_Dump_End_Segment_DAP	25344 (6300)	0 .. 65535
<a href="#">ICE-26</a>	Set_Elevation_Encoder_LED <sup>(1)</sup>	26112 (6600)	0 = Set_Elevation_Encoder_LED_Low 1 = Set_Elevation_Encoder_LED_High
<a href="#">ICE-27</a>	Set_Elevation_Offset_Correction	26368 (6700)	0 .. 65535
<a href="#">ICE-28</a>	Set_Elevation_Stall_Error_Thres	26624 (6800)	0 .. 65535
<a href="#">ICE-29</a>	Set_Elevation_Stall_Count_Thres	26880 (6900)	0 .. 659 (References no. of samples)
[LONG COMMANDS]			
<a href="#">ICE-57</a>	ICP_Memory_Load	37120 (9100)	See Command ID <a href="#">Table B-16</a> for Format

Table B-11. CERES Instrument Command Enumerations (7 of 7)

Link	Main Command Description	Main Value (Dec(Hex))	Parameter Index Values
<a href="#">ICE-58</a>	ICP_Sequence_Table_Load	41472 (A200)	See Command ID <a href="#">Table B-16</a> for Format
<a href="#">ICE-59</a>	ICP_Unique_Data_Load	42240 (A500)	See Command ID <a href="#">Table B-16</a> for Format
<a href="#">ICE-57</a>	DAP_Memory_Load	53504 (D100)	See Command ID <a href="#">Table B-15</a> for Format
<a href="#">ICE-59</a>	DAP_Unique_Data_Load	58624 (E500)	See Command ID <a href="#">Table B-15</a> for Format
<a href="#">ICE-60</a>	DAP_Scan_Table_Load	62208 (F300)	See Command ID <a href="#">Table B-15</a> for Format
(1) To identify the enumerated description of this Main Command, both the Main and Parameter Values to be checked. (2) For FM1 & FM2, these parameter values require an additional offset correction. See description for further details. (3) See description for modification requirements to these parameter values.			

### COMMAND DESCRIPTIONS (Referenced by entries in the Link Column)

The following descriptions reference the commands (summarized in [Table B-10](#)), that are available for operating the CERES instrument. Commands are used by the on-board microprocessors to perform specific activities. Most of the commands are available for the CERES instrument on the TRMM spacecraft. Instruments on the Terra spacecraft have additional commands related to the spacecraft interface. (Commands involving the TRMM interface are retained but are ignored.) Commands for instruments on the Aqua spacecraft will be provided when the information becomes available.

The commands are typically categorized into either short or long commands. Short commands typically execute a single activity based on the encoded command instructions. Short commands can also execute multiple activities in the form of internal mode sequences. Internal mode sequences can be thought of as macros consisting of one or more short commands. Example short command activities include setting an algorithm variable, executing a specific mechanical motion, or initiating an internal mode sequence. Except for the SAFE mode sequence, NO sequence will be executed if an internal sequence is currently being executed. For a detailed listing of the internal mode sequence short commands, refer to [Reference 8](#) (DRL-87).

There are six commands that are referred to as long commands. These commands are typically used for non-routine maintenance of the flight software and attendant tables (See [Section B.5](#)).

Commands can be received, evaluated, and executed at a rate of one command per 0.01 second sample, subject to various operational, event, and timing constraints. For mission operational simplicity, most commands are issued to the instrument at a rate of no faster than one command per second. Some commands (e.g., internal mode sequence commands) have additional delay times. The acceptance or rejection of commands is based on an internal look-up table (See [Table B-18](#)). The acceptance and execution of internal mode sequence commands require an

additional check against an allowable sequence look-up (mask) table (See [Table B-17](#)). The short commands within an internal mode sequence command have certain timing constraints to allow for gimbal operation delays. These constraints are listed below.

- Execute\_Absolute\_Time
- Execute\_ASAP
- Synchronize\_To\_Start\_Of\_Scan\_Period
- Synchronize\_To\_Azimuth\_At\_Goto\_Pos
- Synchronize\_To\_Azimuth\_Between\_A\_and\_B

#### **ICE-1 No\_Command\_ICP/DAP -**

The commands that are reserved for internal usage only.

#### **ICE-2 Command\_Azimuth\_Goto\_Position -**

The command to direct the azimuth gimbal assembly to move to a predefined GOTO position specified by the parameter index value. The motion will slew based on the defined Normal\_Slew\_Rate. [For safety, no motion will occur if the brake is not in the released position and will cause this command to be rejected.]

#### **ICE-3 Set\_Azimuth\_Fixed\_Crosstrack/Position\_A/Position\_B -**

The commands to change either the internal predefined azimuth crosstrack gimbal position, the internal predefined azimuth biaxial start position (A), or the internal predefined azimuth biaxial end position (B) gimbal position to a count value specified by the corresponding parameter index value. This command will execute immediately upon receipt, subject to any restrictions. For safety, the defined position A must always be less than defined position B.

Note: For FM1 and FM2, there is an extra correction "bias" count value that has to be accounted for when setting the corresponding parameter index value with this command. The engineering unit-to-count conversion equation is: Counts = Degrees - Offset. The counts-to-engineering unit conversion becomes: Degrees = Counts + Offset. The offset values are provided by TRW and is shown in [Table B-12](#).

Table B-12. Azimuth Offset Compensating Bias Count Values

PFM	FM1	FM2	FM3	FM4
0	27	-18	N/A	N/A

**CAUTION:** Executing this command while the azimuth gimbal is moving could cause damage to the instrument. For example, if the user changes A position from 90 to 110 degrees when the azimuth was currently in between these two values and moving towards the A position, then the gimbal will continue moving and ram into the hard stop!

#### **ICE-4 Set\_Azimuth\_Fixed\_SolarCal/Set\_Azimuth\_Fixed\_Caged -**

The commands to change either the internal predefined azimuth solar calibration gimbal position or the internal predefined azimuth cage gimbal position to count values specified by the corresponding parameter index value.

Note: For FM1 and FM2, there is an extra correction "bias" count value that has to be accounted for when setting the corresponding parameter index value with the Set\_Azimuth\_Fixed\_SolarCal

command. The engineering unit-to-count conversion equation is: Counts = Degrees - Offset. The counts-to-engineering unit conversion becomes: Degrees = Counts + Offset. The offset values are provided by TRW and is shown in [Table B-12](#).

#### **ICE-5 Set\_Azimuth\_Fixed\_Spare\_1/Spare\_2/Spare\_3 -**

The commands to change the internal predefined azimuth spare 1, 2, or 3 gimbal positions to a count value specified by the parameter index value. The Set\_Azimuth\_Fixed\_Spare\_2 command is intended to be used in conjunction with the Contamination\_Safe mode sequence.

#### **ICE-6 Set\_Azimuth\_Rate\_Goto\_Rate -**

The command to change the internal predefined azimuth gimbal slewing rate to a count value specified by the parameter index value. The index value is derived based on the rate (in deg/sec) conversion Algorithm 7. This command is used primarily for changing the slew rate for any non-biaxial slewing conditions (e.g., GOTO, Initialization, etc.). Note that the default goto rate for each instrument varies as shown in [Table B-13](#). It is not known at this time if the default values for FM3 and FM4 will be changed.

Table B-13. Default Azimuth Goto Slew Rates (Deg/Sec)

PFM	FM1	FM2	FM3	FM4
6.0	6.0	6.0	5.0	5.0

#### **ICE-7 Set\_Azimuth\_Rate\_Async\_Rate/Sync\_Rate -**

The commands to change the internal predefined azimuth gimbal biaxial asynchronous/synchronous slewing rate to a count value specified by the parameter index value. The index value is derived based on the rate (deg/sec) conversion Algorithm 7. The Set\_Azimuth\_Rate\_Async\_Rate command is used to change the default async rate (5 deg/sec) to 6 deg/sec upon power initialization or instrument resets. Note that for FM3 and Fm4, the default rate has been changed to the expected rate. For reference, the default values are shown in [Table B-14](#).

Table B-14. Default Azimuth Async Slew Rates (Deg/Sec)

PFM	FM1	FM2	FM3	FM4
5.0	5.0	5.0	6.0	6.0

#### **ICE-8 Command\_Brake -**

The command to direct the brake to an applied, caged, or released position or to stop its motion. Continuous motion will proceed until the brake reaches its destination or stalls. For safety, this command will be rejected if the azimuth gimbal is moving.

#### **ICE-9 Step\_Brake\_To\_Caged/Step\_Brake\_To\_Applied -**

The commands to direct the brake to move towards the cage/applied position the number of counts specified by the parameter index value. These commands are not normally used unless there are mechanical problems (e.g., stalls) and are a means for providing controlled motion. Normally these commands would be expected to be issued by ground operators during real-time contacts. **WARNING:** No action should be taken if the azimuth gimbal is moving, but there are no preventive interlocks.

**ICE-10 Set\_Instrument\_Mode -**

The command to initiate an internal mode sequence specified by the parameter index value. Mode sequences can be thought of as command macros. A macro consists of a sequence of short commands, but can include calls to activate other sequence modes (e.g., "return to previous seq" and "goto standby"). This is the primary command for operating the instrument for most mission operations. This command will be executed based on an internal mode lockout table (See [Table B-17](#)).

**ICE-11 Set\_Safehold\_Response\_A/B -**

The command to select which of the two spacecraft low-power indicator buses to respond to for safing operations. The default is bus A. (For Terra, this command is not recognized and is defaulted to Set\_Safehold\_Response\_A.)

**ICE-12 Set\_SPS1/2\_Response -**

The commands to enable or disable solar warning actions. Even if disabled, solar presence sensor detection operations will continue.

**ICE-13 Set\_SPS1/2\_Threshold\_Noise -**

The commands to change the count value used by the solar detection algorithm to determine a valid solar sensor detection by the wide FOV signal. (See [Algorithm 6 - Solar Presence Sensor \(SPS\)](#): on Solar Avoidance for further details.)

**ICE-14 Set\_SPS1/2\_Threshold\_Numerator -**

The commands to change the scaling coefficient used in the solar detection algorithm (narrow FOV to wide FOV ratio). The default value is 32. (See [Algorithm 6 - Solar Presence Sensor \(SPS\)](#): on Solar Avoidance for further details.)

**ICE-15 Set\_SPS1/2\_Threshold\_Count -**

The commands to change the number of detected solar samples needed to signify a confirmed solar detection condition occurrence. (See [Algorithm 6 - Solar Presence Sensor \(SPS\)](#): on Solar Avoidance for further details.)

**ICE-16 Set\_Scan\_Timeout\_Response -**

The command to enable or disable the scan time-out operations.

**ICE-17 Set\_Scan\_Timeout\_Count -**

The command to set the starting scan time-out packet (scan) counter to the corresponding command index value. This command is used as part of a secondary solar avoidance procedure that will command the elevation gimbal to the short-earth scan profile for any biaxial operations prior to sunrise or sunset events. (See [Algorithm 6 - Solar Presence Sensor \(SPS\)](#): on Solar Avoidance for further details.)

**ICE-18 Set\_Quicklook\_Flag -**

The command to set the quicklook status flag in the telemetry science packet based on the parameter index value. See instrument status parameters in [Table 4-13](#) for further description.

**ICE-19 Select\_Time\_Mark\_Frequency\_Bus (Terra/Aqua Only) -**

The command to select which of the two spacecraft buses it is to use for obtaining the time stamp information. The default is Bus\_A, where Bus\_B is for redundancy.

**ICE-20 Set\_Time\_Mark\_Interrupt\_Response (Terra/Aqua Only) -**

The command to enable or disable interrupt responses to the signal from the spacecraft time and frequency reference buses. The default is enabled.

**ICE-21 Set\_IMOK\_Signal\_Response (Terra Only) -**

The command to allow responds to the spacecraft IMOK (pronounced “I’m Ok”) signal. The flight software initializes with the IMOK disabled. When enabled, the instrument will safe itself when the IMOK signal is not received in the appropriate time.

**ICE-22 Set\_Watchdog\_Timer\_ICP/DAP -**

The command to arm or disarm the internal microprocessor watchdog timer. The timer should always be armed as this is an important instrument safety feature.

**ICE-23 Set\_PROM\_Power\_ICP/DAP -**

The command to activate the PROM chip for memory dump access. The default is OFF.

**ICE-24 Set\_Mem\_Dump\_Start\_Offset\_ICP/DAP/Segment-ICP/DAP -**

The commands to set the start of a memory dump offset or segment address to the index value (See [Section B.5](#)).

**ICE-25 Set\_Mem\_Dump\_End\_Offset\_ICP/DAP/Segment-ICP/DAP -**

The commands to set the end of a memory dump offset address to the index value (See [Section B.5](#)). A memory dump operation will not stop at this address so long as the packet data type is set to memory dump format. The packet address will continue incrementing and will rollover to the start of the memory register, if allowed to run long enough.

**ICE-26 Set\_Azimuth/Elevation\_Encoder\_LED -**

The commands to change the gimbal encoder LED intensity level. A high setting supposedly improves encoder readability under degraded LED operations.

**ICE-27 Set\_Azimuth/Elevation\_Offset\_Correction -**

The commands to change the internal gimbal position adjustment (offset) value to the corresponding index value. This value represents the difference between the actual gimbal position and the encoder indicated position. Changing this value allows for any corrections to encoder alignment that may be necessary.

**ICE-28 Set\_Azimuth/Elevation\_Stall\_Error\_Thres -**

The commands to change the default position error difference threshold used to determine stall conditions to the corresponding index value.

**ICE-29 Set\_Azimuth/Elevation\_Stall\_Count\_Thres -**

The commands to change the default number of samples where the gimbal position exceeds the stall error position threshold to the corresponding index value.



**ICE-30 Set\_Packet\_Data\_Type -**

The command to indicate which type of formatted science telemetry packets, indicated by the index value, to output. The APID will be set internally based on this packet format as shown in [Table 4-12](#). The data packet format will actually change at the next packet boundary after receipt of this command.

**ICE-31 Low\_Rate\_Science\_Transfer\_Enable (Terra Only) -**

The command to transmit the science data to the spacecraft low rate data bus whenever this command is set to Enable (default). (The spacecraft providers have allowed instrumenters to transmit their science data on a higher rate data bus at their option, but CERES does not need to do this. The science and housekeeping data will be transmitted on separate low-rate buses.)

**ICE-32 EOSAM\_Load\_Initiate (Terra Only) -**

The command to clear the internal load data index for allowing the start of a new long command load sequence.

**ICE-33 Set\_Scan\_Mode -**

The command to change the elevation gimbal motion to the scan profile indicated by the index value. It will execute only on scan boundaries. When transmitted via spacecraft time-tagged stored command loads, it will be used as the primary solar avoidance mechanism during biaxial operations. During sunrise and sunset events, this command is to send the short-earth scan profile index. In between these events, the normal-earth scan profile index should be sent.

**ICE-34 Command\_Cover\_Main -**

The command to execute the cover operation specified by the index value. Opening and closing will cause the cover to move in a continuous operation. Care should be given when using this command in conjunction with the STEP\_MAIN\_COVER\_TO\_OPEN/CLOSE. See [Reference 8](#) for further details.

**ICE-35 Command\_Cover\_MAM -**

The command to execute the cover operation specified by the index value. Opening and closing will cause the cover to move in a continuous operation. Care should be given when using this command in conjunction with the STEP\_MAM\_COVER\_TO\_OPEN/CLOSE. See [Reference 8](#) for further details.

**ICE-36 Set\_SWICS\_Intensity -**

The command to either turn off the SWICS lamp or set the lamp's intensity on to one of the three default settings specified by the index value.

**ICE-37 Set\_Blackbody\_Temp\_Setpoint -**

The command to set the desired blackbody heatsink temperature to a corresponding index value. Typically, this index value will be 1550, 2650, or 3550 that will correspond roughly to three calibration temperature values of 12, 32, and 52 degrees C., respectively. However, on-orbit ambient temperatures are typically greater than 12 degrees C. An alternative low index setpoint of 2100 (approximately 22 degrees C.) is being used. This command is primarily used for internal calibration operations.

**ICE-38 Set\_Blackbody\_Temp\_Control -**

The commands to turn the Total and Window channel blackbody heatsink temperature controllers on or off. The default is off. When on, the heaters will adjust the temperature based on the SET\_BLACKBODY\_TEMP\_SETPOINT command.

**ICE-39 Set\_TOT/SW/WN\_Brid\_Bal\_Coarse\_DAC\_Val -**

The commands to force the bridge balance circuitry coarse DAC value to the corresponding index value. Typically, this command is used for ground testing the dynamic response of the wheatstone bridge balancing operation.

**ICE-40 Set\_TOT/SW/WN\_Brid\_Bal\_Fine\_DAC\_Val -**

The commands to force the bridge balance circuitry fine DAC value to the corresponding index value. Typically, this command is used for ground testing the dynamic response of the wheatstone bridge balancing operation.

**ICE-41 Set\_TOT/SW/WN\_Brid\_Bal\_Control\_Mode -**

The commands to activate the bolometer sensor wheatstone bridge balance circuitry. The default is on.

**ICE-42 Set\_TOT/SW/WN\_Sensor\_Temp\_Setpoint -**

The commands to a desired bolometer mounted heatsink temperature based on the corresponding index value. The nominal index value is set for 2048 counts which corresponds to approximately 38.0 degrees C.

**ICE-43 Set\_TOT/SW/WN\_Sensor\_Temp\_Control -**

The commands to turn the bolometer mounted heatsink temperature controllers on or off. The default is on.

**ICE-44 Set\_TOT/SW/WN\_Sensor\_Temp\_Coef\_A0 -**

The commands to change the A0 coefficient value that is used by the bolometer mounted heatsink, heater control algorithm. The value will be changed to the index value. (See [Section B.6](#) for algorithm and default value details.)

**ICE-45 Set\_TOT/SW/WN\_Sensor\_Temp\_Coef\_A1 -**

The commands to change the A1 coefficient value that is used by the bolometer mounted heatsink, heater control algorithm. The value will be changed to the index value. (See [Section B.6](#) for algorithm and default value details.)

**ICE-46 Set\_TOT/SW/WN\_Sensor\_Temp\_Coef\_B1 -**

The command to change the B1 coefficient value that is used by the bolometer mounted heatsink, heater control algorithm. The value will be changed to the index value. (See [Section B.6](#) for algorithm and default value details.)

**ICE-47 Set\_TOT/SW/WN\_Sensor\_Temp\_Coef\_D0 -**

The command to change the D0 coefficient value that is used by the bolometer mounted heatsink, heater control algorithm. The value will be changed to the index value. (See [Section B.6](#) for algorithm and default value details.)

**ICE-48 Set\_Main\_Cover\_Active\_Pos\_Sensor -**

The command to select which of the two position sensors will be used by the lag error evaluation logic for determining potentially skewed position operations.

**ICE-49 Step\_Main\_Cover\_To\_Open -**

The command to move the Main cover towards the open position in incremental steps, versus a normally continuous, full range slew to open. The size of the step is specified by the corresponding index value. While this command was originally meant to be used to recover from stuck motions (indicated via large lag errors), this command will be the normal method for on-orbit openings. Executing this command will disable the logic that would normally respond to lag error checks, even though the status parameter that monitors the lag will still indicate accumulated errors during motions.

**ICE-50 Step\_MAM\_Cover\_To\_Open -**

The command to move the MAM cover towards the open position in incremental steps, versus a normally continuous, full range slew to open. The size of the step is specified by the corresponding index value. This command is typically used as a means to recover from a high lag error due to a lack of cover travel.

**ICE-51 Step\_Main\_Cover\_To\_Closed -**

The command to move the Main cover towards the closed position in incremental steps, versus a normally continuous, full range slew to close. The size of the step is specified by the corresponding index value. While this command was typically meant to be used to recover from a lack of cover travel (indicated via large lag errors), this command will be the normal method for on-orbit closings. Executing this command will disable the logic that would normally respond to lag error checks, even though the status parameter that monitors the lag will still indicate accumulated errors during motions.

**ICE-52 Step\_MAM\_Cover\_To\_Closed -**

The command to move the MAM cover towards the closed position in incremental steps, versus a normally continuous, full range slew to close. The size of the step is specified by the corresponding index value. This command is typically used as a means to recover from a high lag error due to a lack of cover travel.

**ICE-53 Set\_Main\_Cover\_Sensor\_1/2\_Lag\_Error -**

The command to change the default accumulated lag error value used as a position difference threshold during cover motion operations. This threshold defines conditions that can indicate potential non-parallel alignment skewing between the two guide rails.

**ICE-54 Set\_Submux\_Control -**

The command to enable the output of the analog signal into the analog portion of the packet, the data associated with the specified Set\_Submux\_Fixed\_Channel command. This is helpful for anomaly investigations.

**ICE-55 Set\_Submux\_Fixed\_Channel -**

The command to output in the analog portion of the packet, the values that will be indicated by the selected multiplexing channel. Analog parameters and their corresponding submux channel are shown in [Table B-19](#).

**ICE-56 Set\_Elevation\_Stow\_Pos -**

The command to change the default angular position for the elevation gimbal stow position. This command is primarily used for ground calibration chamber test purposes and is not expected to be used during mission operations.

**ICE-57 ICP/DAP\_Memory\_Load -**

The long commands to perform RAM memory load updates. The format for the command ICP\_Memory\_Load is illustrated in [Table B-16](#) and the command DAP\_Memory\_Load is shown in [Table B-15](#). The commands can be accepted in any instrument mode (as initiated via internal sequences).

**ICE-58 ICP\_Sequence\_Table\_Load -**

This long command to change any of the 16 internal sequence (macro) tables. The format for this command is illustrated in [Table B-16](#). This command can only be accepted when the instrument is in the Diagnostic Mode (as initiated via internal sequences).

**ICE-59 ICP/DAP\_Unique\_Data\_Load-**

The long commands to change specific data parameters typically related to mechanical operations controlled by the ICP (See [Table B-16](#))/DAP (See [Table B-15](#)). These commands can only be accepted when the instrument is in the Diagnostic Mode (as initiated via internal sequences).

**ICE-60 DAP\_Scan\_Table\_Load -**

This long command to change any of the 16 internal elevation gimbal scanning profile tables. The format for this command is illustrated in [Table B-15](#). This command can only be accepted when the instrument is in the Diagnostic Mode (as initiated via internal sequences).

Table B-15. DAP Long Command Formats (1 of 2)

DAP Memory Load Command Format	DAP Elevation Scan Table Command Load Format	DAP Instrument Unique Data Load Command Format
Memory Load Command	Scan Table Load Command	Instrument Unique Data Load Command
Command I.D. No.	Command I.D. No.	Command I.D. No.
32-bit Checksum (high byte)	32-bit Checksum (high byte)	32-bit Checksum (high byte)
32-bit Checksum (low byte)	32-bit Checksum (low byte)	32-bit Checksum (low byte)
Memory Load Offset Address	Scan Table Entry	Elevation Offset Correction
Memory Load Segment Address	Number of Inflection Points	Main Cover Closed Position
Memory Load Length N	Inflection Point 0 Sample No.	Main Cover Open Position
Memory Load Value 0	Inflection Point 0 Rate	Main Cover Closed Margin
Memory Load Value 1	Inflection Point 0 Position	Main Cover Open Margin

Table B-15. DAP Long Command Formats (2 of 2)

DAP Memory Load Command Format	DAP Elevation Scan Table Command Load Format	DAP Instrument Unique Data Load Command Format
Memory Load Value 2	Inflection Point 1 Sample No.	MAM Cover Closed Position
Memory Load Value 3	Inflection Point 1 Rate	MAM Cover Open Position
Memory Load Value 4	Inflection Point 1 Position	MAM Cover Closed Margin
Memory Load Value 5	---	MAM Cover Open Margin
Memory Load Value 6	Inflection Point 35 Sample No.	
Memory Load Value 7	Inflection Point 35 Rate	
Memory Load Value 8	Inflection Point 35 Position	
Memory Load Value 9	Bridge Bal. Begin Space Look	
Memory Load Value 10	Bridge Bal. End Space Look	
---	Bridge Bal. DAC Update	
Memory Load Value N - 3	Bridge Bal. Window High	
Memory Load Value N - 2	Bridge Bal. Window Low	
Memory Load Value N - 1	Bridge Bal. Window Setpoint	

Table B-16. ICP Long Command Formats (1 of 2)

ICP Memory Load Command Format	ICP Internal Sequence Load Command Format	ICP Instrument Unique Data Load Command Format
Memory Load Command	Internal Sequence Load Command	Instrument Unique Data Load Command
Command I.D. No.	Command I.D. No.	Command I.D. No.
32-bit Checksum (high byte)	32-bit Checksum (high byte)	32-bit Checksum (high byte)
32-bit Checksum (low byte)	32-bit Checksum (low byte)	32-bit Checksum (low byte)
Memory Load Offset Address	Mode Index	Azimuth Offset Correction
Memory Load Segment Address	Mode Allowed Pattern	Brake Released Position
Memory Load Length N	Sample # & Sequence Control 0	Brake Applied Position
Memory Load Value 0	Scan Count 0	Brake Caged Position
Memory Load Value 1	Command 0	Brake Released Margin
Memory Load Value 2	Parameter 0	Brake Applied Margin
Memory Load Value 3	Sample # & Sequence Control 1	Brake Caged Margin
Memory Load Value 4	Scan Count 1	Instrument I.D. No.
Memory Load Value 5	Command 1	Packet Data Version No.

Table B-16. ICP Long Command Formats (2 of 2)

ICP Memory Load Command Format	ICP Internal Sequence Load Command Format	ICP Instrument Unique Data Load Command Format
Memory Load Value 6	Parameter 1	
Memory Load Value 7	---	
---	Sample # & Sequence Control 27	
Memory Load Value N - 3	Scan Count 27	
Memory Load Value N - 2	Command 27	
Memory Load Value N - 1	Parameter 27	

Table B-17. Allowable Sequence Mode Transition Table

FROM:\nTO:	0 = Safe	1 = Standby	2 = Crosstrack	3 = Biaxial	4 = Solar Cal	5 = Diagnostic	6 = Int Calibration	7 = Special Short Scan	8 = Contamination Safe	9 = Hold	10 = Abbrev Int Cal	11 = Unused	12 = Unused	13 = Unused	14 = Unused	15 = Unused
0 = Safe	X	X				X										
1 = Standby	X	X	X	X	X		X	X	X	X	X	X	X	X	X	X
2 = Crosstrack	X	X	X	X	X		X	X	X	X	X	X	X	X	X	X
3 = Biaxial	X	X	X	X	X		X	X	X	X	X	X	X	X	X	X
4 = Solar Cal	X	X	X	X	X		X	X	X	X	X	X	X	X	X	X
5 = Diagnostic	X															
6 = Int Calibration	X	X	X	X	X		X	X	X	X	X	X	X	X	X	X
7 = Special Short Scan	X	X	X	X	X		X	X	X	X	X	X	X	X	X	X
8 = Contamination Safe	X	X							X							
9 = Hold	X	X	X	X	X		X	X	X	X	X	X	X	X	X	X
10 = Abbrev Int Cal	X	X	X	X	X		X	X	X	X	X	X	X	X	X	X
11 = Unused	X	X	X	X	X		X	X	X	X	X	X	X	X	X	X
12 = Unused	X	X	X	X	X		X	X	X	X	X	X	X	X	X	X
13 = Unused	X	X	X	X	X		X	X	X	X	X	X	X	X	X	X
14 = Unused	X	X	X	X	X		X	X	X	X	X	X	X	X	X	X
15 = Unused	X	X	X	X	X		X	X	X	X	X	X	X	X	X	X

Table B-18. Instrument Commands Allowed by Mode (1 of 4)

Command Description	All Modes	All Modes (except Safe)	All Modes (except Safe & Diagnostic)	Safe or Diagnostic Modes Only	Diagnostic Mode Only
No_Command_ICP	X				
Command_Azimuth_Goto_Position		X			
Set_Azimuth_Fixed_Crosstrack		X			
Set_Azimuth_Fixed_Position_A		X			
Set_Azimuth_Fixed_Position_B		X			
Set_Azimuth_Fixed_SolarCal		X			
Set_Azimuth_Fixed_Caged		X			
Set_Azimuth_Fixed_Spare_1		X			
Set_Azimuth_Fixed_Contam_Pos		X			
Set_Azimuth_Fixed_Spare_3		X			
Set_Azimuth_Rate_Goto_Rate					X
Set_Azimuth_Rate_Async_Rate					X
Set_Azimuth_Rate_Sync_Rate					X
Command_Brake		X			
Step_Brake_To_Caged		X			
Step_Brake_To_Applied		X			
Set_Instrument_Mode (per Allowable Sequence Transition Table)	X				
Set_Safehold_Response_A (TRMM Command)				X	
Set_Safehold_Response_B (TRMM Command)				X	
Set_SPS1_Response					X
Set_SPS2_Response					X
Set_SPS1_Threshold_Noise					X
Set_SPS2_Threshold_Noise					X
Set_SPS1_Threshold_Numerator					X
Set_SPS2_Threshold_Numerator					X
Set_SPS1_Threshold_Count					X
Set_SPS2_Threshold_Count					X
Set_Scan_Timeout_Response					X
Set_Scan_Timeout_Count		X			
Set_Quicklook_Flag	X				

Table B-18. Instrument Commands Allowed by Mode (2 of 4)

Command Description	All Modes	All Modes (except Safe)	All Modes (except Safe & Diagnostic)	Safe or Diagnostic Modes Only	Diagnostic Mode Only
Select_Time_Mark_Frequency_Bus (Terra/Aqua Command)	X				
Set_Time_Mark_Frequency_Response (Terra/Aqua Command)	X				
Set_IMOK_Signal_Response (Terra Command)				X	
Set_Watchdog_Timer_ICP					X
Set_PROM_Power_ICP					X
Set_Mem_Dump_Start_Offset_ICP		X			
Set_Mem_Dump_Start_Segment_ICP		X			
Set_Mem_Dump_End_Offset_ICP		X			
Set_Mem_Dump_End_Segment_ICP		X			
Set_Azimuth_Encoder_LED					X
Set_Azimuth_Offset_Correction					X
Set_Azimuth_Stall_Error_Thres					X
Set_Azimuth_Stall_Count_Thres					X
Set_Packet_Data_Type	X				
Low_Rate_Science_Transfer_Enable (Terra Command)	X				
EOSAM_Load_Initiate (Terra Command)				X	
No_Command_DAP	X				
Set_Scan_Mode		X			
Command_Cover_Main					X
Command_Cover_MAM					X
Set_SWICS_Intensity		X			
Set_Blackbody_Temp_Setpoint		X			
Set_Blackbody_Temp_Control		X			
Set_Tot_Brid_Bal_Coarse_DAC_Val					X
Set_SW_Brid_Bal_Coarse_DAC_Val					X
Set_WN_Brid_Bal_Coarse_DAC_Val					X
Set_Tot_Brid_Bal_Fine_DAC_Val					X
Set_SW_Brid_Bal_Fine_DAC_Val					X
Set_WN_Brid_Bal_Fine_DAC_Val					X
Set_Tot_Brid_Bal_Control_Mode					X



Table B-18. Instrument Commands Allowed by Mode (3 of 4)

Command Description	All Modes	All Modes (except Safe)	All Modes (except Safe & Diagnostic)	Safe or Diagnostic Modes Only	Diagnostic Mode Only
Set_SW_Brid_Bal_Control_Mode					X
Set_WN_Brid_Bal_Control_Mode					X
Set_Tot_Sensor_Temp_Setpoint					X
Set_SW_Sensor_Temp_Setpoint					X
Set_WN_Sensor_Temp_Setpoint					X
Set_Tot_Sensor_Temp_Control					X
Set_SW_Sensor_Temp_Control					X
Set_WN_Sensor_Temp_Control					X
Set_Tot_Sensor_Temp_Coef_A0					X
Set_SW_Sensor_Temp_Coef_A0					X
Set_WN_Sensor_Temp_Coef_A0					X
Set_Tot_Sensor_Temp_Coef_A1					X
Set_SW_Sensor_Temp_Coef_A1					X
Set_WN_Sensor_Temp_Coef_A1					X
Set_Tot_Sensor_Temp_Coef_B1					X
Set_SW_Sensor_Temp_Coef_B1					X
Set_WN_Sensor_Temp_Coef_B1					X
Set_Tot_Sensor_Temp_Coef_D0					X
Set_SW_Sensor_Temp_Coef_D0					X
Set_WN_Sensor_Temp_Coef_D0					X
Set_Main_Cover_Active_Pos_Sensor					X
Step_Main_Cover_To_Open					X
Step_MAM_Cover_To_Open					X
Step_Main_Cover_To_Closed					X
Step_MAM_Cover_To_Closed					X
Set_Main_Cover_Sensor_1_Lag_Error					X
Set_Main_Cover_Sensor_2_Lag_Error					X
Set_Submux_Control					X
Set_Submux_Fixed_Channel					X
Set_Elevation_Stow_Pos					X
Set_Watchdog_Timer_DAP					X
Set_PROM_Power_DAP					X
Set_Mem_Dump_Start_Offset_DAP		X			

Table B-18. Instrument Commands Allowed by Mode (4 of 4)

Command Description	All Modes	All Modes (except Safe)	All Modes (except Safe & Diagnostic)	Safe or Diagnostic Modes Only	Diagnostic Mode Only
Set_Mem_Dump_Start_Segment_DAP		X			
Set_Mem_Dump_End_Offset_DAP		X			
Set_Mem_Dump_End_Segment_DAP		X			
Set_Elevation_Encoder_LED					X
Set_Elevation_Offset_Correction					X
Set_Elevation_Stall_Error_Thres					X
Set_Elevation_Stall_Count_Thres					X
ICP_Memory_Load	X				
ICP_Sequence_Table_Load					X
ICP_Unique_Data_Load					X
DAP_Memory_Load	X				
DAP_Unique_Data_Load					X

## B.4 Analog Parameter Submultiplexer Channels

Table B-19. Analog Parameter Submultiplexer Channels (1 of 2)

DAA Analog Parameters	Submux Channel	ICP Analog Parameters	Submux Channel
SPS_1_NARROW_FOV_OUTPUT	196	AZIMUTH_BRAKE_POSITION	163
SPS_1_WIDE_FOV_OUTPUT	197	AZIMUTH_LOWER_BEARING_TEMP	106
SPS_2_NARROW_FOV_OUTPUT	198	ACA_ELECTRONICS_TEMP	104
SPS_2_WIDE_FOV_OUTPUT	199	ACA_TORQUE_OUTPUT	162
MAIN_COVER_POSITION_1	166	ACA_ENCODER_CLEAR_TRACK_A	164
MAIN_COVER_POSITION_2	167	ACA_ENCODER_CLEAR_TRACK_B	165
MAM_COVER_POSITION	163	ECA_TORQUE_OUTPUT	0
MAIN_COVER_MOTOR_TEMP	107	ECA_ENCODER_CLEAR_TRK_CORSE	32
TOT_DETECTOR_CONTROL_TEMP	32	ECA_ENCODER_CLEAR_TRK_FINE	64
TOT_DETECTOR_MONITOR_TEMP	0	ICA_PROM_ELECTRONICS_TEMP	109
SW_DETECTOR_CONTROL_TEMP	34	ICA_ADC_ELECTRONICS_TEMP	111
SW_DETECTOR_MONITOR_TEMP	2	PCA_ELECTRONICS_TEMP	98
WN_DETECTOR_CONTROL_TEMP	33	ICA_SPARE_CHANNEL_1	96
WN_DETECTOR_MONITOR_TEMP	1	PEDESTAL_TEMP_ICA_RADIATOR	97
SENSOR_ELECTRONICS_TEMP	121	PEDESTAL_TEMP_1_RADIATOR	99
SENSOR_MODULE_TEMP	120	PEDESTAL_TEMP_2_ISOLATOR	100
ELEVATION_SPINDLE_TEMP_MOTOR	123	ICA_SPARE_CHANNEL_2	102
ELEVATION_SPINDLE_TEMP_CW	122	ICA_SPARE_CHANNEL_3	103
ELEVATION_BEARING_TEMP_CW	102	PEDESTAL_TEMP_PCA_RADIATOR	105
ELEVATION_BEARING_TEMP_MOTOR	106	ICA_PLUS_5V_DIGITAL	130
ECA_ELECTRONICS_TEMP	104	ICA_PLUS_15V_TO_ECA_ACA	132
ECA_RADIATOR_TEMP	105	ICA_MINUS_15V_TO_ECA_ACA	133
SPARE_CHANNEL_1	64	ICA_PLUS_5V_TO_DAA	128
SPARE_CHANNEL_2	65	ICA_PLUS_10V_TO_DAA	129
SPARE_CHANNEL_3	66	ICA_PLUS_15V_INTERNAL	134
SPARE_CHANNEL_4	67	ICA_MINUS_15V_INTERNAL	135
TOT_BLACKBODY_TEMP	224	RESERVED_FOR_DAA_DATA	253
WN_BLACKBODY_TEMP	225	RESERVED_FOR_DAA_DATA	254
SWICS_PHOTODIODE_TEMP	103	ICA_SPARE	255
SWICS_PHOTODIODE_OUTPUT	226		
SWICS_LAMP_CURRENT	227		
MAM_TOT_BAFFLE_TEMP_1	96		
MAM_TOT_BAFFLE_TEMP_2	97		
AZIMUTH_UPPER_BEARING_TEMP	98		
SPARE_CHANNEL_5	99		
MAM_ASSEMBLY_SW_TEMP	100		
MAM_ASSEMBLY_TOT_TEMP	101		
DAA_CPU_ELECTRONICS_TEMP	108		
DAA_ADC_ELECTRONICS_TEMP	111		
DAA_RADIATOR_TEMP	112		

Table B-19. Analog Parameter Submultiplexer Channels (2 of 2)

DAA Analog Parameters	Submux Channel	ICP Analog Parameters	Submux Channel
DETECTOR_POSITIVE_120V_BIAS	228		
DETECTOR_NEGATIVE_120V_BIAS	229		
DAA_PLUS_5V_DIGITAL	128		
DAA_PLUS_10V_REFERENCE	129		
SPARE_CHANNEL_6	130		
DAA_MINUS_10V_REFERENCE	131		
SEA_PLUS_15V_ANALOG	132		
SEA_MINUS_15V_ANALOG	133		
DAA_PLUS_15V_ANALOG	134		
DAA_MINUS_15V_ANALOG	135		
DAA_PLUS_130V	160		
DAA_MINUS_130V	161		
DAA_ANALOG_GROUND_REF_1	230		
DAA_ANALOG_GROUND_REF_2	231		
TOT_CHAN_HEATER_DAC_VALUE	250		
SW_CHAN_HEATER_DAC_VALUE	251		
WN_CHAN_HEATER_DAC_VALUE	252		
BLACKBODY_HEATER_DAC_VALUE	253		
RESERVED_FOR_USE_BY_THE_ICA	254		
DAA_SPARE	255		

### B.5 Flight Code Memory Description

The on-board instrument memory for each processor contains 64 Kbytes, consisting of Read Only Memory (ROM) and Random Access Memory (RAM). The mapping of this memory space, with the corresponding offset and segment addresses is shown in [Figure B-1](#). Upon every power-up, commanded reset, or watchdog time-out reset, a copy of the ROM software is loaded into the RAM space. Then, additional memory patches (to correct deficiencies) need to be loaded. Currently, the patches for each of the CERES instruments (in loading order), along with the expected resulting microprocessor checksum are shown in [Table B-20](#) through [Table B-24](#).

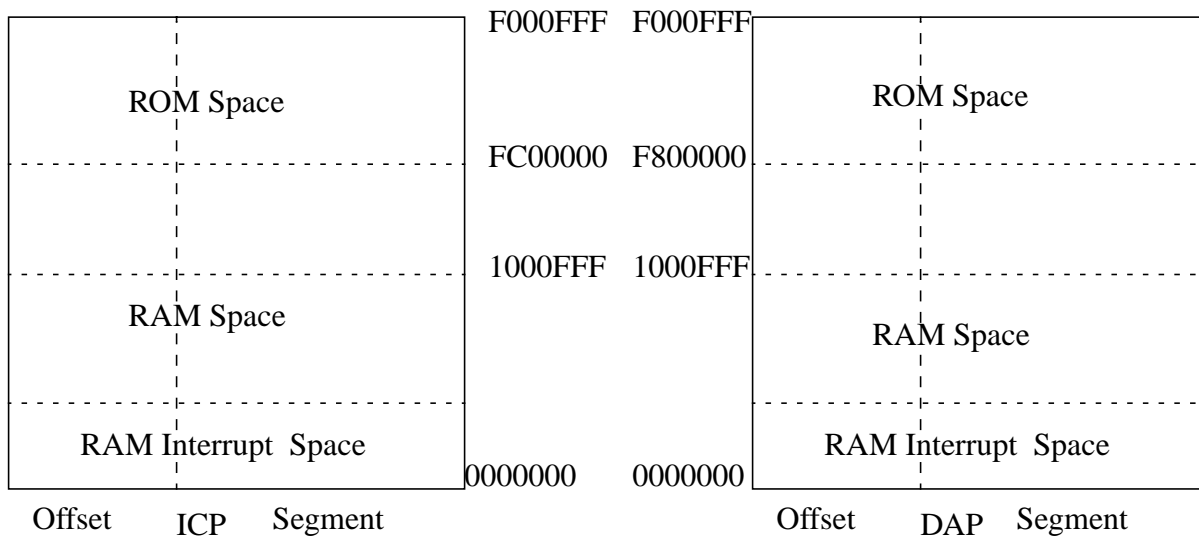


Figure B-1. ICP and DAP Memory Maps (Aqua FM4 Example)

Table B-20. PFM (TRMM) Memory Patch Loads

Item #	Patch Name	Check-Sum Values in DEC (HEX)	Patch Description
1	HKPATCH1.MDF	60830 (ED9E)	Sets the HK command error to be the most recent rather than the oldest error.
2	ICPHLT0.MDF	52758 (CE16)	Fixes an ICP spacecraft Time Mark Halt collision handler.
3	DAPSKL0.MDF	11048 (2B28)	Fixes a 100Hz timing interrupt service routine.
4	DAPSKL1.MDF	29832 (7488)	Patches the interrupt vector table for the new interrupt service function (DAPSKL0)
5	ICPSCLK0.MDF	58175 (E33F)	The ICP version of the DAPSCIK0 patch.
6	ICPSCKL1.MDF	11345 (2C51)	The ICP version of the DAPSKL1 patch.

Table B-21. FM1 (Terra) Memory Patch Loads

Item #	Patch Name	Check-Sum Values in DEC (HEX)	Patch Description
1	SRQPAT3.MDF	61863 (F1A7)	Fixes the 1553B Service Request Bit to allow spacecraft communications to continue.
2	PROCHLT1.MDF	50315 (C48B)	Fixes an ICP spacecraft Time Mark Halt collision handler.
3	FM1BRK2.MDF	50315 (C48B)	Updates the azimuth brake defined At_Apply position from 685 to 687 and its margin from 5 to 12 counts.
4	MAMSCAN0.MDF	50315 (C48B)	Replaces an erroneous MAM scan profile with the original MAM scan profile that matches FM2's profile.
5			N/A

Table B-22. FM2 (Terra) Memory Patch Loads

Item #	Patch Name	Check-Sum Values in DEC (HEX)	Patch Description
1	PROCHLT1.MDF	27446 (6B36)	Fixes an ICP spacecraft Time Mark Halt collision handler.
2	CEABRMR0.MDF	27446 (6B36)	Updates the azimuth brake defined At_Cage margin from 5 to 7 counts.
3	MDSIPTCH.MDF	TBD	Fix 1553B descriptor stack management loop detection anomaly.
4	USEPTCH.MDF	TBD	Modifies the flight software to call the new 1553B stack management function and call an ERROR-50 if detection occurs. This patch follows the MDSIPTCH.MDF.
5			N/A

Table B-23. FM3 (Aqua) Memory Patch Loads

Item #	Patch Name	Check-Sum Values in DEC (HEX)	Patch Description
1	XXXX.MDF	####	RESERVED

Table B-24. FM4 (Aqua) Memory Patch Loads

Item #	Patch Name	Check-Sum Values in DEC (HEX)	Patch Description
1	XXXX.MDF	####	RESERVED

### B.6 Flight Code Heater Algorithm

The control of the detector channel heatsinks and the blackbody temperatures are governed by the following algorithms, as described in TRW DRL-87 (Reference 8). Note, the heater control algorithm default coefficient values are the same for all instruments.

$$DACValue = \frac{(\sqrt{power(t) - C0}) \times C1}{C2}$$

where:

$$Power(t) = Part1 + Part2$$

$$Part1 = (A0 \times error(t) + A1 \times error(t - 1))$$

$$Part2 = \frac{\left( \frac{\left( \left( \frac{power(t-1)}{4095} \right) \times 8192 \right) \times B1 \right)}{4095}}{8} = \frac{(power(t-1) \times 2 \times B1)}{511.875}$$

and :

$$error(t) = (SetpointTemp - ControlTemp) + ScaledTempError$$

$$ScaledTempError = \frac{(IntegratedError(t) + IntegratedError(t - 1))}{262144}$$

$$IntegratedError(t) = D0 \times (error(t) + error(t - 1))$$

$$error(t) = MonitorTemp(t) - (4095 - SetpointTemp)$$

for  $t$  = current sample value,  $t-1$  = previous sample value.

Table B-25. Heater Control Algorithm Default Coefficient Values

Heater	A0	A1	B1	C0	C1	C2	D0
Sensors	29761	-29266	-16367	991	100	119	54
Blackbody	17468	0	0	0	15000	1414	0

## Appendix C

### Solar Avoidance Operations

The CERES instrument Sun-avoidance system has three levels:

1. Scheduled spacecraft transmitted Set\_Scan\_Mode solar avoidance command. This command involves placing the elevation scanner into the short-earth scan profile in a planned timely manner based on mission operational planning aids. These planning aids identify the anticipated Sun terminator regions (sunrise and sunset events). The short-earth scan profile will be commanded prior to entering a terminator region and the normal-earth scan profile will be commanded after leaving a terminator region. Generally, an approximately two minute buffer margin is used about these events.
2. In the event the Set\_Scan\_Mode solar avoidance command is not received from the spacecraft, for whatever reason, a second-tier solar avoidance is activated. This condition involves using the a Set\_Scan\_Timeout\_Count command used to preset an internal scan time-out counter that will place the elevation scanner into the short-earth scan profile. Normally, this command is a scheduled command that is along with the Set\_Scan\_Mode.

This counter is activated whenever the following conditions are true:

- a) The azimuth scan mode is one of the A-B scanning operations, AND,
- b) The elevation scan mode is in the normal-earth scan profile, AND,
- c) The scan time-out response has been enabled.

Once these conditions are satisfied, an internal counter begins counting down from the preset value specified by the Set\_Scan\_Timeout\_Count command. The value of this command count is calculated to ensure that the count (time-out) should occur approximately one minute after the Set\_Scan\_Mode command should have issued a short-earth scan directive. Then after each sun terminator event, a new value is loaded at the same time as the Set\_Scan\_Mode to normal-earth scan directive is issued, thereby repeating the cycle. If no further spacecraft issued commands are received, the instrument will remain in a short-earth scan profile until commanded otherwise. CAUTION: Along-track operations can orient the instrument to cause the bolometer sensors to scan the Sun. However, because the instrument is not performing an azimuth scan operation, this solar avoidance tier is not active. Therefore, extreme caution is to be exercised by operators.

3. Safing via sun presence sensor (SPS) issued solar warning detection. This third tier solar avoidance operation involves using the SPSs to detect when movement of the instrument and the Sun will cause the bolometer sensor FOV to align with the Sun line-of-sight. These SPSs have a nominal optical FOV of  $\pm 5$  degrees in the azimuth plane and  $\pm 15$  degrees in the elevation plane. However, they are able to detect the Sun over a  $\pm 8$  degrees in the azimuth plane and  $\pm 22$  degrees in the elevation plane. The optical line-of-sight centerline is -11 degrees in the Instrument coordinate system. Thus, TRMM mission experience has



shown that the Sun can be seen by the SPSs in the elevation plane from -23 to +5 degrees. When the SPSs have detected the Sun, per DRL-64 Algorithm 6 (See below), a solar warning signal is given that causes the instrument to execute the Safe sequence. The instrument can then only be returned to science configurations via real-time spacecraft contact.

**Algorithm 6** - Solar Presence Sensor (SPS):

The detection and presence of the Sun by the SPS is derived based on the following algorithm that is executed 60 times per scan (every 0.11 seconds), using SPS1 as the example. This algorithm is condensed from text in DRL-87 ([Reference 8](#)) and is based on flowcharts shown in DRL-64 ([Reference 2](#)).

- (a) If (SPS1\_Wide\_FOV1 >= SPS1\_Threshold\_Noise) AND  
(SPS1\_Narrow\_FOV >= (SPS1\_Wide\_FOV/2))  
then Detection State = Sun\_Detected (for this sample)
- (b) If Detection\_State = Sun\_Detected AND  
(0 > Solar\_Detection\_Count < Solar\_Detection\_Count\_Threshold)  
then Increment Solar\_Detection\_Count  
else Decrement Solar\_Detection\_Count
- (c) If Solar\_Detection\_Count >= Solar\_Detection\_Count\_Threshold  
then Detection State = Sun\_Present (at this sample)
- (d) If Detection\_State = Sun\_Present AND  
SPS1\_Response = Enabled AND  
Elevation\_Scan\_Mode = Normal\_Earth\_Scan  
then A Solar Warning will be issued to safe the instrument:

Note: The Safing internal sequence command itself will not appear on the command stack.