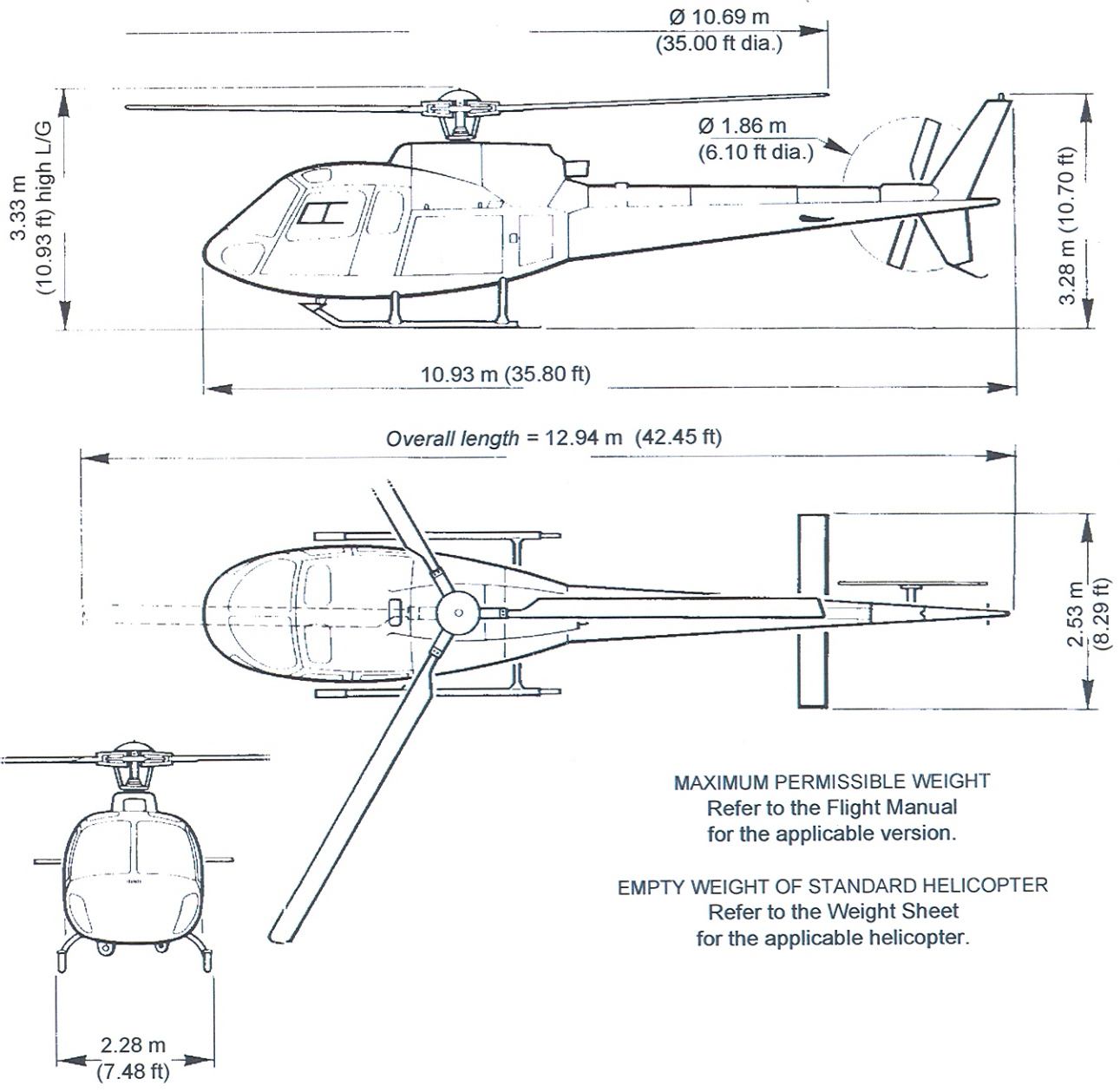




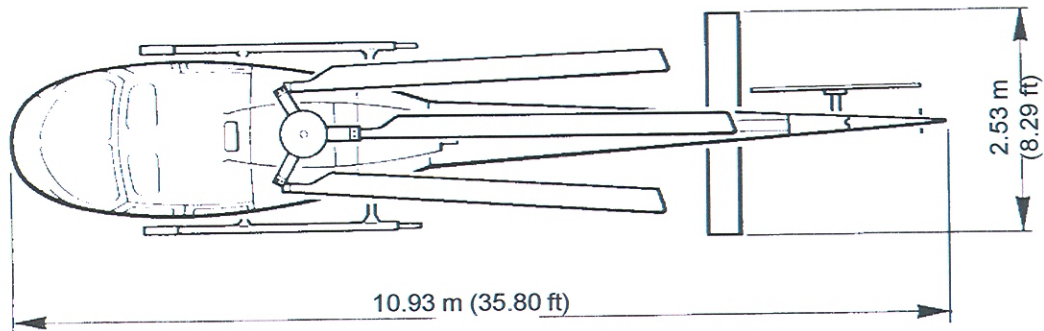
**1.4 - MAIN DIMENSIONS**



**MAXIMUM PERMISSIBLE WEIGHT**  
Refer to the Flight Manual  
for the applicable version.

**EMPTY WEIGHT OF STANDARD HELICOPTER**  
Refer to the Weight Sheet  
for the applicable helicopter.

**WITH MAIN ROTOR BLADES FOLDED**





### 4.5 - MAIN ROTOR BLADES

B version : composite materials

B1, B2, B3 & BA versions : composite materials

AIRFOIL : NACA

00  
Symmetric

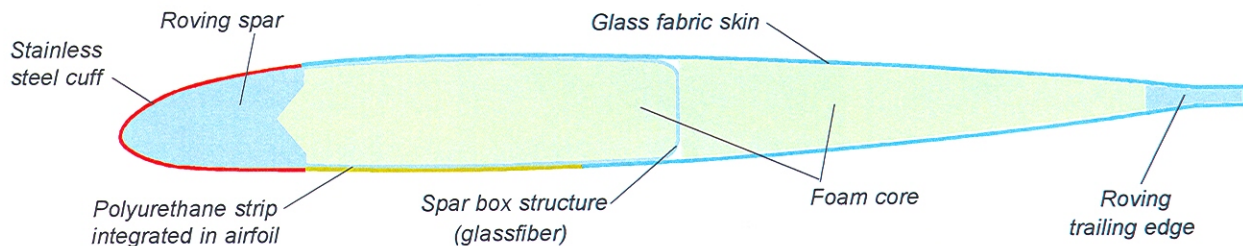
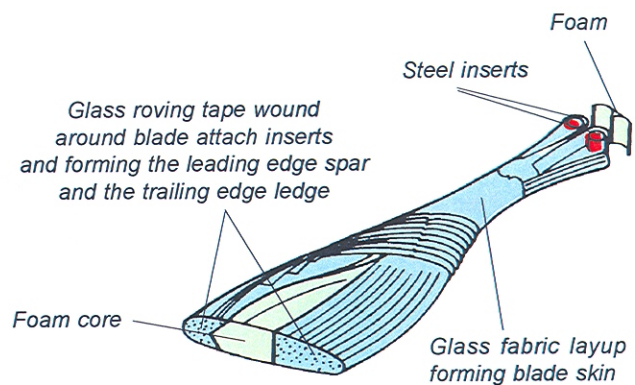
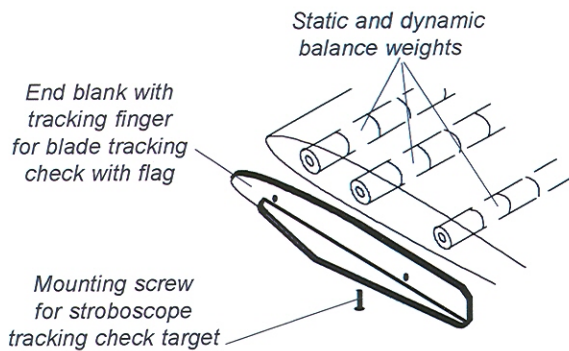
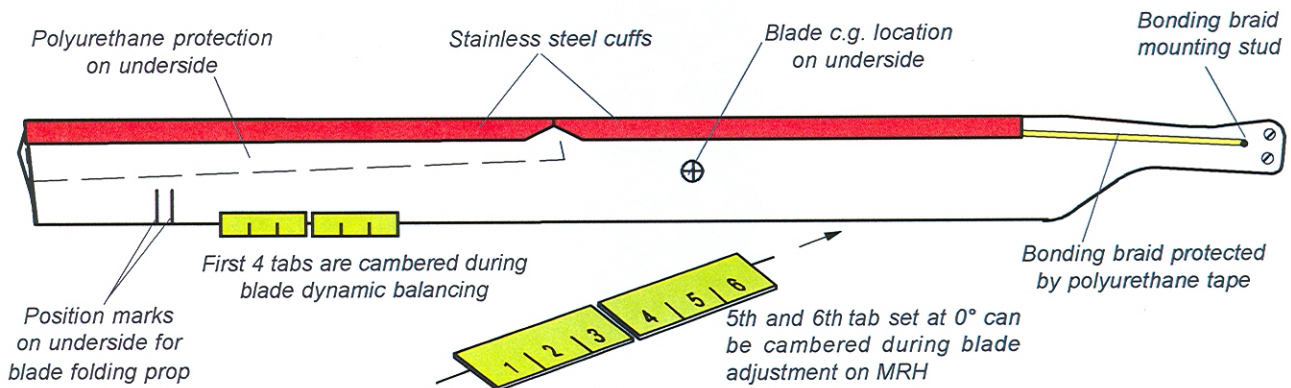
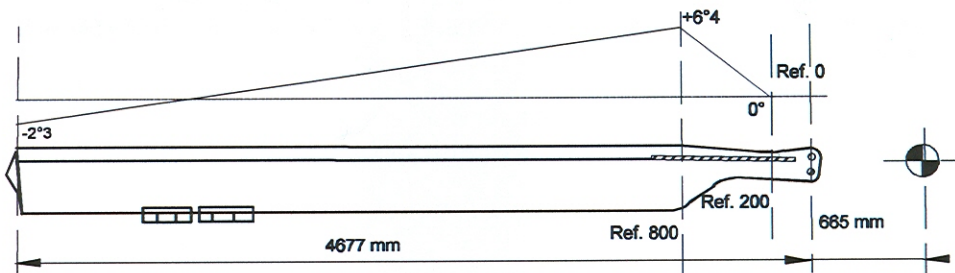
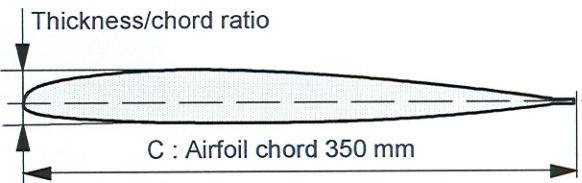
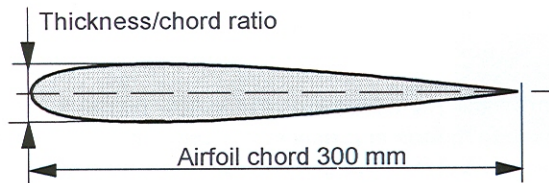
12  
Thickness  
% airfoil chord

AIRFOIL : OA

ONERA

2  
Asymmetrical

09  
Thickness  
% airfoil chord



Ce document est la propriété d'EUROCOPTER ; il ne peut être communiqué à des tiers et/ou reproduit sans l'autorisation préalable écrite d'EUROCOPTER et son contenu ne peut être divulgué. This document is the property of EUROCOPTER ; no part of it shall be reproduced or transmitted without the express prior written authorization of EUROCOPTER and its contents shall not be disclosed. © EUROCOPTER 1998.