

Distributed by:

Novartis Pharmaceuticals Corp., East Hanover, NJ 07936

©2006 Novartis Pharmaceuticals Corporation. All rights reserved.

Medication Guide

Foradil[®] [FOR-a-dil] Certihaler[®]

(formoterol fumarate inhalation powder)

Read the Medication Guide that comes with FORADIL CERTIHALER before you start using it and each time you get a refill. There may be new information. This Medication Guide does not take the place of talking to your health care provider about your medical condition or treatment.

What is the most important information I should know about FORADIL CERTIHALER?

FORADIL CERTIHALER is a medicine called a long-acting beta₂-agonist or LABA. LABA medicines are used in patients with asthma, exercise-induced bronchospasm (EIB), and chronic obstructive pulmonary disease (COPD). LABA medicines help the muscles around the airways in your lungs stay relaxed to prevent symptoms, such as wheezing and shortness of breath. These symptoms can happen when the muscles around the airways tighten. This makes it hard to breathe. In severe cases, wheezing can stop your breathing and cause death if not treated right away.

- **In patients with asthma, LABA medicines, such as FORADIL CERTIHALER, may increase the chance of death from asthma problems.**

In a large asthma study, more patients who used another LABA medicine died from asthma problems compared with patients who did not use that LABA medicine. Talk to your healthcare provider about this risk and the benefits of treating your asthma with FORADIL CERTIHALER.

- **FORADIL CERTIHALER does not relieve sudden symptoms . Always have a short-acting beta₂-agonist medicine with you to treat sudden symptoms. If you are not sure that you have an inhaled short-acting beta₂ agonist, contact your healthcare provider to have one prescribed for you.**

- **Do not stop using FORADIL CERTIHALER unless told to do so by your healthcare provider because your symptoms might get worse.**

- **FORADIL CERTIHALER**
 - **should not be the only medicine prescribed for your asthma**
 - **should only be used if your healthcare provider decides that another asthma-controller medicine alone does not control your asthma or that you need 2 asthma-controller medicines**

- **Call your healthcare provider if breathing problems worsen over time while using FORADIL CERTIHALER. You may need different treatment.**

- **Get emergency medical care if:**
 - **breathing problems worsen quickly, and**
 - **you use your short-acting beta-beta₂-agonist medicine, but it does not relieve your breathing problems**

What is FORADIL CERTIHALER?

FORADIL CERTIHALER is a long-acting beta₂-agonist (LABA). FORADIL CERTIHALER is used long-term, twice-a-day, to control symptoms of asthma, and prevent symptoms such as wheezing in adults and children ages 5 and older.

Because LABA medicines such as FORADIL CERTIHALER may increase the chance of death from asthma problems, FORADIL CERTIHALER is not for adults and children with asthma who:

- are well controlled with another asthma-controller medicine, such as a low to medium dose of an inhaled corticosteroid
- only need short-acting beta₂-agonist medicines once in awhile

What should I tell my healthcare provider before using FORADIL CERTIHALER?

Tell your healthcare provider about all of your health conditions, including if you:

- **have heart problems**
- **have high blood pressure**
- **have seizures**
- **have thyroid problems**
- **have diabetes**
- **are pregnant or planning to become pregnant.** It is not known if FORADIL CERTIHALER may harm your unborn baby.
- **are breastfeeding.** It is not known if FORADIL CERTIHALER passes into your milk and if it can harm your baby.
- are allergic to FORADIL CERTIHALER, any other medicines, or food products.

FORADIL CERTIHALER contains lactose (milk sugar) and a small amount of milk proteins. It is possible that allergic reactions may happen in patients who have a severe milk protein allergy.

Tell your healthcare provider about all the medicines you take including prescription and non-prescription medicines, vitamins, and herbal supplements. FORADIL CERTIHALER and certain other medicines may interact with each other. This may cause serious side effects.

Know the medicines you take. Keep a list and show it to your healthcare provider and pharmacist each time you get a new medicine.

How do I use the FORADIL CERTIHALER inhaler?

See the step-by-step instructions for using the FORADIL CERTIHALER inhaler at the end of this Medication Guide. Do not use FORADIL unless your healthcare provider has taught you and you understand everything. Ask your healthcare provider or pharmacist if you have any questions.

- Children should use FORADIL CERTIHALER with an adult's help, as instructed by the child's healthcare provider.
- Use FORADIL CERTIHALER exactly as prescribed. **Do not use FORADIL CERTIHALER more often than prescribed.**
- The usual dose is 1 inhalation through the CERTIHALER inhaler twice a day (morning and evening). The 2 doses should be about 12 hours apart.
- If you miss a dose of FORADIL CERTIHALER, just skip that dose. Take your next dose at your usual time. Never take 2 doses at one time.
- Do not use a spacer device with FORADIL CERTIHALER.
- Do not breathe into FORADIL CERTIHALER.
- While you are using FORADIL CERTIHALER twice a day, do not use other medicines that contain a long-acting beta2-agonist (LABA) for any reason. Other LABA medicines include FORADIL[®] AEROLIZER[®] (formoterol fumarate inhalation powder), SEREVENT[®] DISKUS[®] (salmeterol xinafoate inhalation

powder) or ADVAIR DISKUS[®] (fluticasone propionate and salmeterol inhalation powder), BROVANA[™] (arformoterol tartrate inhalation solution), or SYMBICORT[™] (budesonide and formoterol fumarate dehydrate solution aerosol) .

- Do not change or stop any of your medicines to control or treat your breathing problems. Your healthcare provider will adjust your medicines as needed.
- Make sure you always have a short-acting beta₂-agonist medicine with you. Use your short-acting beta₂-agonist medicine if you have breathing problems between doses of FORADIL CERTIHALER.
- **Call your healthcare provider or get medical care right away if:**
 - your breathing problems worsen with FORADIL CERTIHALER
 - you need to use your short-acting beta₂-agonist medicine more often than usual
 - your short-acting beta₂-agonist medicine does not work as well for you at relieving symptoms
 - you need to use 4 or more inhalations of your short-acting beta₂-agonist medicine for 2 or more days in a row
 - you use 1 whole canister of your short-acting beta₂-agonist medicine in 8 weeks' time
 - your peak flow meter results decrease. Your healthcare provider will tell you the numbers that are right for you.
 - you have asthma and your symptoms do not improve after using FORADIL CERTIHALER regularly for 1 week.

What are the possible side effects with FORADIL CERTIHALER?

- **In patients with asthma, LABA medicines such as FORADIL CERTIHALER may increase the chance of death from asthma problems.**
See “What is the most important information I should know about FORADIL CERTIHALER?”

Other possible side effects with FORADIL CERTIHALER include:

- **serious allergic reactions including rash, hives, swelling of the face, mouth, and tongue, and breathing problems.** Call your healthcare provider or get emergency medical care if you get any symptoms of a serious allergic reaction.

- chest pain
- increased blood pressure
- a fast and irregular heartbeat
- headache
- tremor
- nervousness
- dry mouth
- muscle cramps
- nausea
- dizziness
- tiredness
- low blood potassium
- high blood sugar
- high blood acid
- trouble sleeping

Tell your healthcare provider about any side effect that bothers you or that does not go away.

These are not all the side effects with FORADIL CERTIHALER. Ask your healthcare provider or pharmacist for more information.

How do I store FORADIL CERTIHALER?

- Store FORADIL CERTIHALER at room temperature 59 to 86° F or 15 to 30° C. Protect FORADIL CERTIHALER from heat and moisture.
- Use FORADIL CERTIHALER before the expiration date. The expiration date is marked on the label on the underside of the inhaler.
- **Keep FORADIL CERTIHALER and all medicines out of the reach of children.**

General Information about FORADIL CERTIHALER

Medicines are sometimes prescribed for purposes not mentioned in a Medication Guide. Do not use FORADIL CERTIHALER for a condition for which it was not prescribed. Do not give FORADIL CERTIHALER to other people, even if they have the same condition. It may harm them.

This Medication Guide summarizes the most important information about FORADIL CERTIHALER. If you would like more information, talk with your healthcare provider. You can ask your healthcare provider or pharmacist for information about FORADIL CERTIHALER that was written for healthcare professionals. If you have any questions about the use of FORADIL CERTIHALER, go to www.foradil.com.

Instructions for Using FORADIL CERTIHALER

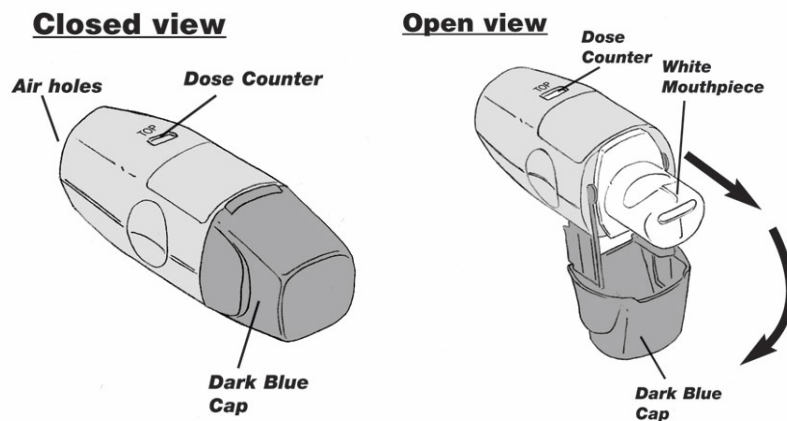
Follow the instructions below for using your FORADIL CERTIHALER. **You will breathe-in (inhale) the medicine from the FORADIL CERTIHALER.** If you have any questions, ask your healthcare provider or pharmacist.

FORADIL CERTIHALER

- Keep your FORADIL CERTIHALER Inhaler dry. Handle with DRY hands.

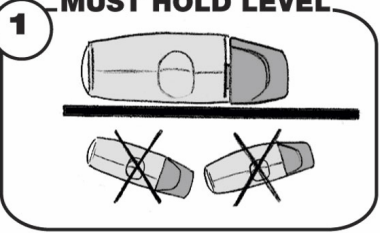
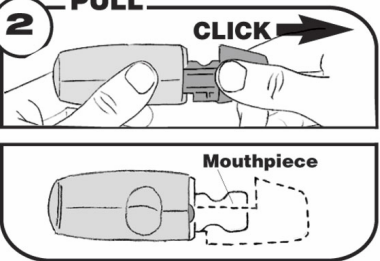
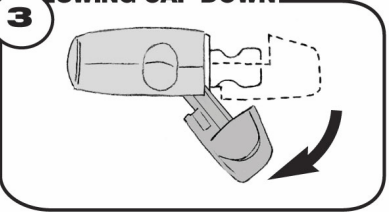
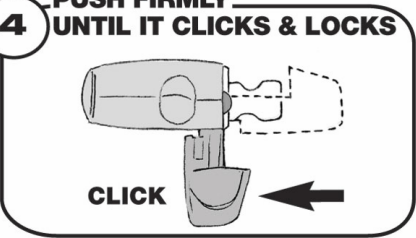
Note: The rattling sound heard when you move the device is normal.



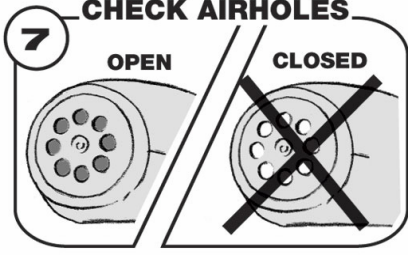
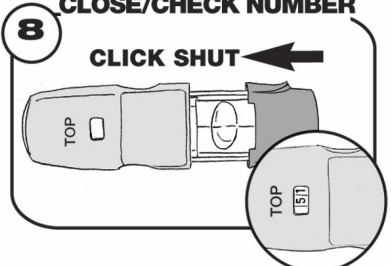
Picture 1



Taking a dose of FORADIL CERTIHALER requires the following steps:

Note the number on the dose counter before you start.

<p>1 MUST HOLD LEVEL</p> 	<p>Hold the inhaler perfectly level with the dose counter facing the ceiling.</p> <hr/> <p>IMPORTANT: The inhaler will not open unless it is level.</p> <hr/> <p>TIP: Place the inhaler on a table or other flat surface while opening to keep level.</p>
<p>2 PULL</p> 	<p>Pull the dark blue cap completely away from the inhaler until you hear a click. (Fully open cap clears mouthpiece.)</p> <p>TIP: If the cap doesn't open fully, reclose it all the way before trying again.</p>
<p>3 SWING CAP DOWN</p> 	<p>Pull cap away from inhaler as you swing down.</p>
<p>4 PUSH FIRMLY UNTIL IT CLICKS & LOCKS</p> 	<p>Push cap firmly until it locks into place with a click.</p> <hr/> <p>IMPORTANT: Cap must click to lock or the inhaler will not work.</p> <hr/> <p>TIP: Pushing hard to lock won't damage the inhaler.</p>

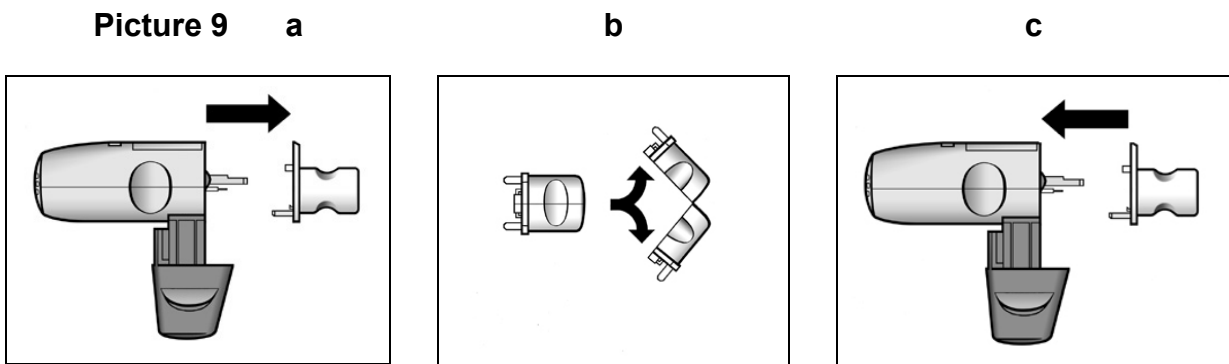
 <p>5 EXHALE Air holes</p>	<p>While holding the inhaler level, breathe out (exhale) away from the inhaler, then close your lips firmly over mouthpiece.</p> <p>TIP: Keep fingers clear of air holes at back.</p>
 <p>6 TAKE A FAST, DEEP BREATH Airholes</p>	<p>Breathe in (inhale) quickly one fast, deep breath. Hold your breath at least 5 seconds. Exhale away from the inhaler.</p> <hr/> <p>IMPORTANT: If you do not inhale fast enough the inhaler will not work.</p> <hr/> <p>TIP: When you inhale fast and deep enough, you will hear a soft click as the air holes open.</p>
 <p>7 CHECK AIRHOLES OPEN CLOSED</p>	<p>Double-check air holes to see if they opened completely.</p> <hr/> <p>IMPORTANT: If air holes did not open, return to step 4. If the cap was locked down all the way, try inhaling faster and deeper.</p>
 <p>8 CLOSE/CHECK NUMBER CLICK SHUT</p>	<p>After you have received the dose, close the cap all the way until it clicks shut.</p> <p>The counter will now show you have one less dose left in the inhaler.</p> <p>TIP: Dose counter changes after you close the cap.</p>

IMPORTANT: If the display number did not decrease by one after step 8 above, but you still received your dose of medicine, **stop using the inhaler and contact your pharmacist.** Remember, you will know that you received your dose of medicine, if the ring of air holes was open before you closed the Protective Cap (see step 7 above).

Taking care of your FORADIL CERTIHALER

Cleaning of the mouthpiece – The mouthpiece of your FORADIL CERTIHALER should be cleaned once weekly as follows:

- Open the Protective Cap
- Pull off the white mouthpiece as shown in Picture 9a.
- **IMPORTANT:** Once the mouthpiece is removed keep your open FORADIL CERTIHALER in a safe place where it cannot be damaged or get wet. It is important that you do not clean, blow on or touch any internal parts of your FORADIL CERTIHALER that are exposed when the mouthpiece is removed.
- After removal of the mouthpiece, unfold it as shown in Picture 9b and tap the mouthpiece gently onto a dry tissue to remove any powder residue.
- **IMPORTANT:** Never use water to clean the mouthpiece or any other parts of your FORADIL CERTIHALER, because moisture may damage the medicine.
- After cleaning the mouthpiece, fold it up and insert it gently into its original position (Picture 9c).
- Close the Protective Cap all the way once the mouthpiece has been replaced.

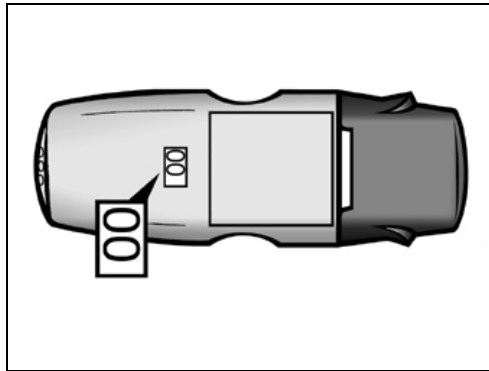


General recommendations

Stop using your FORADIL CERTIHALER when the Dose Counter window shows **00** (**Picture 10**). This indicates that you have used all 60 doses of medicine in the inhaler. You will need to start a new FORADIL CERTIHALER.

Note: If you try to use your FORADIL CERTIHALER after the Dose Counter window shows **00**, you will receive only one more dose. After this dose, the Dose Counter display will change to **999** and the Protective Cap will be permanently locked and the device cannot be opened any more.

Picture 10



Remember:

- Always keep the Protective Cap closed when you are not using your CERTIHALER unless you are cleaning the mouthpiece.
- Always clean the mouthpiece if the CERTIHALER Inhaler is dropped while the cap is open.
- Always open the CERTIHALER Inhaler in a level, horizontal position, with the counter in the upwards position.
- Make sure that the Protective Cap is clicked into place in its fully open position when inhaling.
- Never breathe into the CERTIHALER Inhaler.
- Never take the CERTIHALER Inhaler apart (aside from removing the mouthpiece for cleaning).
- Never wash the CERTIHALER Inhaler. **Keep it dry.**
- Always keep the CERTIHALER Inhaler in a dry place.

Rx only



Manufactured by:

SkyePharma Production SAS, Saint Quentin-Fallavier, France

Distributed by:

Novartis Pharmaceuticals Corp., East Hanover, NJ 07936

FORADIL is a registered trademark of Astellas Pharma Inc.

CERTIHALER and AEROLIZER are registered trademarks of Novartis AG.

ADVAIR DISKUS, SEREVENT, and DISKUS are registered trademarks of GlaxoSmithKline.

BROVANA is a trademark of Sepracor, Inc.
SYMBICORT is a trademark of AstraZeneca.

©2006 Novartis Pharmaceuticals Corporation. All rights reserved.

Month Year XXXXXXXX

This Medication Guide has been approved by the U.S. Food and Drug Administration.