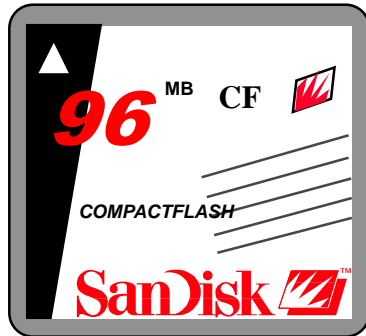


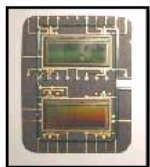
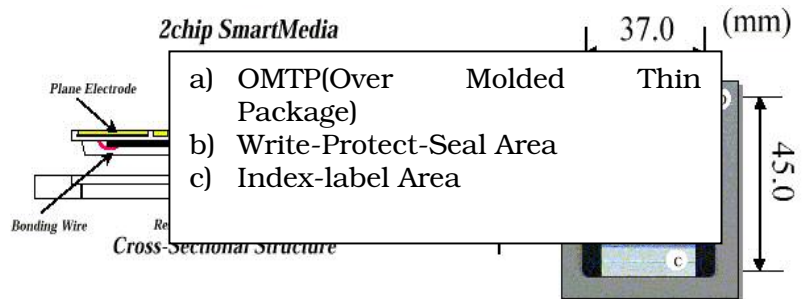
# Small Flash Memory Cards

## Two or more chips : the cards

### 1. Compact Flash



### 2. Smart Media ( two chips...over 128MB)



OMTP (chip side)



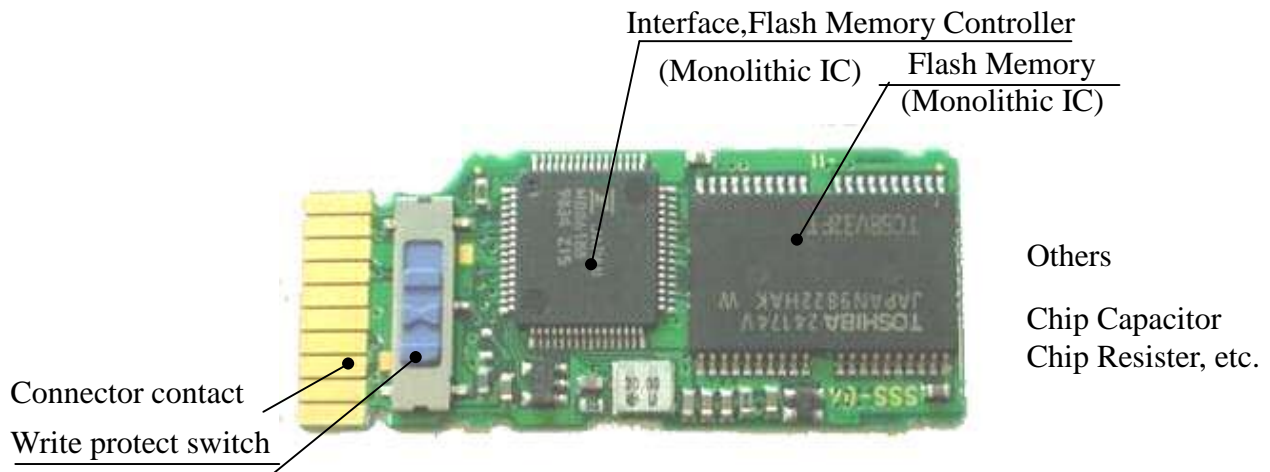
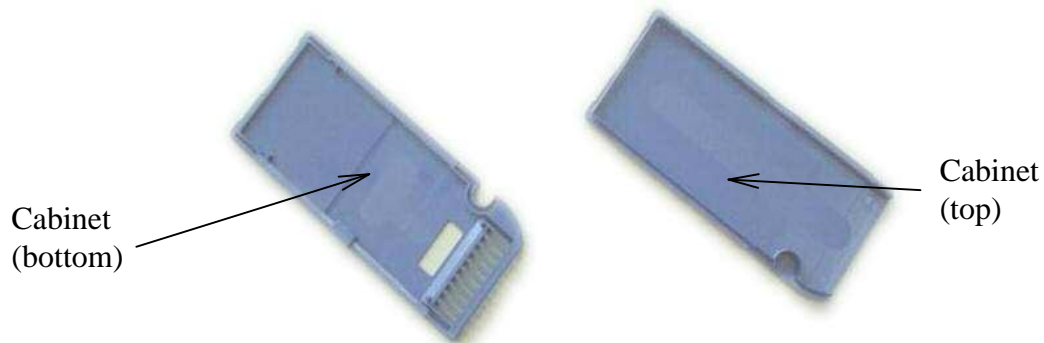
OMTP (Mold Side)



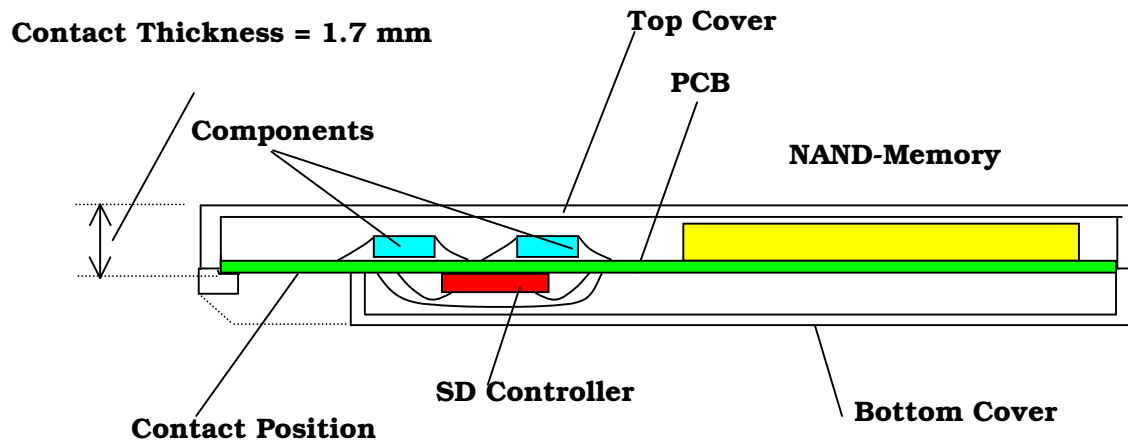
Base card

(CSH/29/mai 2002)  
(HSC/29/May 2002)

### 3. Memory Stick



#### 4. SD Memory Card • with Controller



#### Summary:

- PCB is not produced by thin-or-thick-film technology.
  - The cards are not used by any one particular application.
  - The cards should be classified in heading 8523.
-