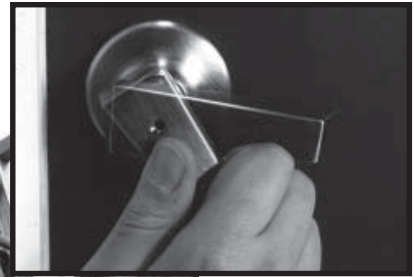
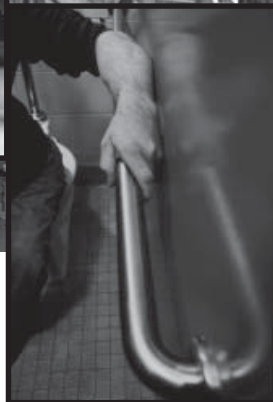


---

**Part Three**

**APPENDICES**



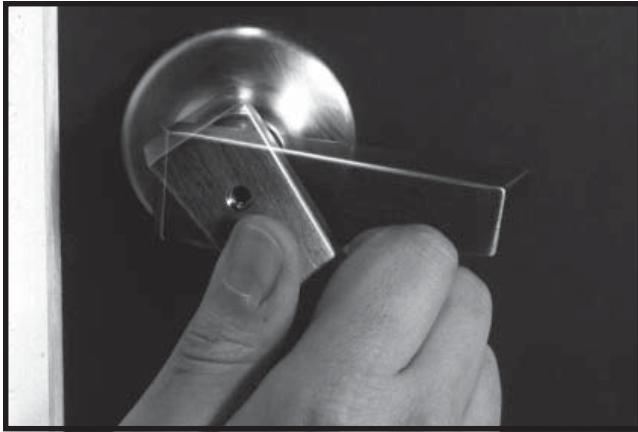
- Appendix A** ■ Product Resources and Selected References
- Appendix B** ■ Fair Housing Accessibility Guidelines
- Appendix C** ■ Supplemental Notice: Fair Housing Accessibility Guidelines: Questions and Answers About the Guidelines

---

## **APPENDIX A**

Product Resources  
and Selected References

**A**



## PRODUCT RESOURCES

The following list of products is provided to assist owners/builders and potential residents to adapt Fair Housing covered units to suit individual needs and requirements. They are examples only and the list is not complete; other products with similar features also are available. No endorsement of the products or recommendation for use of the products is given nor implied.

Other compilations of building products are available, but few if any specifically address the issues exclusive to compliance with the Fair Housing Accessibility Guidelines. Going beyond the requirements of the Guidelines, the National Association of Home Builders Research Center publishes a *Directory of Accessible Building Products* in an effort to increase accessible housing for people with disabilities. The *Directory* is available from the NAHB Research Center, 400 Prince George's Boulevard, Upper Marlboro, Maryland, 20772-8731, phone: (301) 249-4000.

Few if any manufacturers presently offer “adaptable” or removable cabinets as part of their stock line. No individual cabinet manufacturers are cited in this product resource list; however, several have indicated that providing kitchen cabinets with removable fronts currently is possible using existing materials and methods.

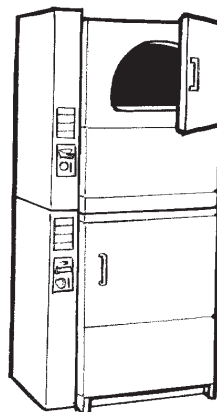
## PRODUCT RESOURCE LIST

### APPLIANCES

G.E. Appliances  
Appliance Park  
Louisville, KY 40225  
502-452-4311  
(stacking front-loading coin operated residential  
dryers with front-mounted controls)

Sears, Roebuck, and Company  
Sears Tower  
Chicago, IL 60684  
312-875-3000  
(under-counter front-loading washers and dryers  
with front-mounted controls)

Note: Most companies have space saving and  
stacking models with front-mounted controls.



washers and dryers  
with front-mounted  
controls are more  
usable for everyone

**Stacked Coin Operated Dryers**

### ASSISTIVE DEVICES

adaptAbility  
P.O. Box 515  
Colchester, CT 06415-0515  
1-800-243-9232

Maddak, Inc.  
6 Industrial Road  
Pequannock, NJ 07440  
201-628-7600

Sears, Roebuck, and Company  
Sears Tower  
Chicago, IL 60684  
1-800-948-8800

reachers and grab-  
bers can increase the  
reach for people who  
are short in stature,  
are seated, or have  
limited reach range



**Grabber/Reacher**

### BATHROOM PRODUCTS

#### Grab Bars

Bobrick Washroom Equipment, Inc.  
Northway 10 Industrial Park  
Clifton Park, NY 12065  
518-877-7444  
(folding grab bars and reinforcing)

## PRODUCT RESOURCE LIST

---

Bradley Corporation  
Washroom Accessories Division  
804 East Gate Drive  
Mt. Laurel, NJ 08054  
609-235-7420  
(grab bar reinforcing)

Dryad Jebron  
Suite 202  
249 Ayer Road  
Harvard, MA 01451  
1-800-445-5388  
508-772-4167  
(colored and folding grab bars)

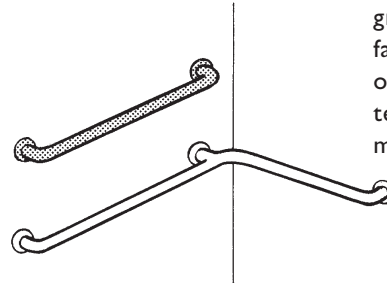
Elcoma Metal Fabricating Ltd.  
1929-36 Street N.E.  
Canton, Ohio 44705  
216-588-8844  
1-800-352-6625  
(colored and folding grab bars and reinforcing)

Franklin Brass  
Manufacturing Company  
P.O. Box 5226  
Culver City, CA 90231  
213-306-5944  
1-800-421-3375  
(grab bar reinforcing)

Hewi, Inc.  
6 Pearl Court  
Allendale, NJ 07401  
201-327-7202  
(colored and folding grab bars)

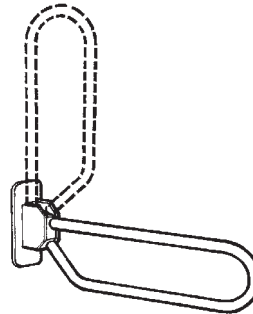
Normbau  
P.O. Box 548  
Shepherdsville, KY 40165  
502-538-7388  
1-800-358-2920  
(colored and folding grab bars)

Pressalit Inc.  
1259 Rt. 46, Bldg. 2  
Parsippany, NJ 07054  
1-800-346-2380  
201-263-8533  
(colored and folding grab bars)



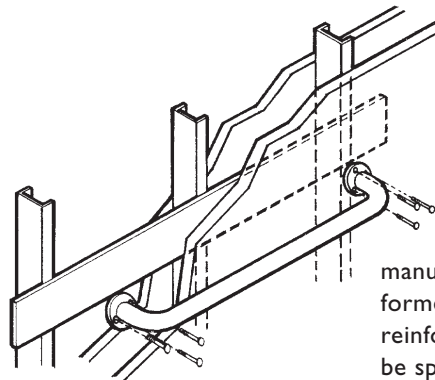
**Standard Grab Bars**

grab bars are manufactured in a variety of shapes, sizes, textures, colors, and metallic finishes



**Folding Grab Bar**

many folding grab bars also come in a variety of shapes, sizes, and colors



**Reinforcing at Metal Studs**

manufactured, formed metal reinforcing plate can be spot welded or screwed to studs

SafeTec International, Inc.  
P.O. Box 23  
Melbourne, FL 32902  
407-952-1300  
(colored grab bars)

Tubular Specialties Mfg., Inc.  
13011 S. Spring Street  
Los Angeles, CA 90061  
1-800-421-2961  
(colored and folding grab bars)

Lindo  
1090 McCallie Avenue  
Chattanooga, TN 37404  
615-698-4200  
(folding grab bars)

### Hand-Held Shower Heads

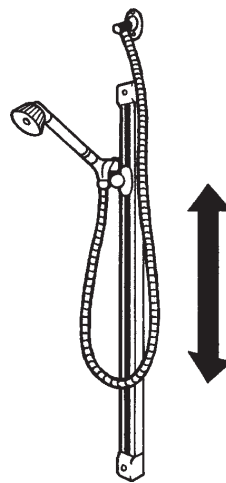
Brass-Craft Mfg. Co.  
27700 Northwestern Highway  
Southfield, MI 48034  
313-827-1100

Alsons  
525 E. Edna Place  
P.O. Box 311  
Covina, CA 91723  
818-966-1668

Moen Incorporated  
377 Woodland Avenue  
Elyria, OH 44036-2111  
216-232-3341

Odine  
Division of Interbath, Inc.  
427 N. Baldwin Park Boulevard  
City of Industry, CA 91746  
818-369-1841

Grohe America  
900 Lively Boulevard  
Wood Dale, IL 60191  
708-350-2600



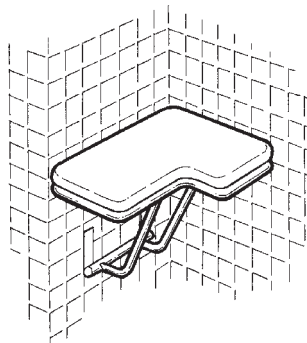
wall-mounted slide  
bar allows hand-held  
shower head to be  
positioned at any  
convenient height

**Hand-Held Shower Head  
On a Slide-Bar Mount**

### L-Shaped Shower Seats

Bobrick Washroom Equipment, Inc.  
Northway 10 Industrial Park  
Clifton Park, NY 12065  
518-877-7444

Tubular Specialties Mfg., Inc.  
13011 S. Spring Street  
Los Angeles, CA 90061  
1-800-421-2961



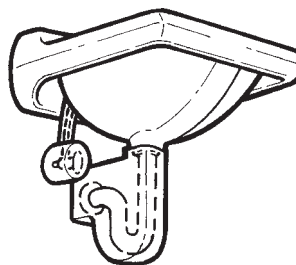
many L-shaped shower seats fold up, increasing available space in showers

**L-Shaped Shower Seat**

### Manufactured Pipe Protection

I & S Insulation Co., Inc.  
1819 So. Central Avenue, 38  
Kent, WA 98032  
206-859-1830

Truebro Inc.  
P.O. Box 429  
Ellington, CT 06029  
203-875-2868



insulated pipe surround to protect seated users from burns and sharp edges

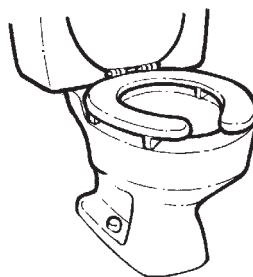
**Manufactured Pipe Protection**

### Raised Toilet Seats

Beneke  
P.O. Box 1367  
Columbus, MS 39703  
1-800-647-1042  
601-328-4000

Church Seat Company  
Sheboygan Falls, WI 53085  
1-800-233-SEAT  
414-467-2664

Olsonite  
8801 Conant Avenue  
Detroit, MI 48211  
1-800-521-8266  
313-075-5831



when standard low toilets are installed, raised toilet seats and spacers can be added to increase the height from 2" to 6" if necessary

increase

14" to 15" standard height

**Raised Toilet Seat**

## DOORS AND DOOR HARDWARE

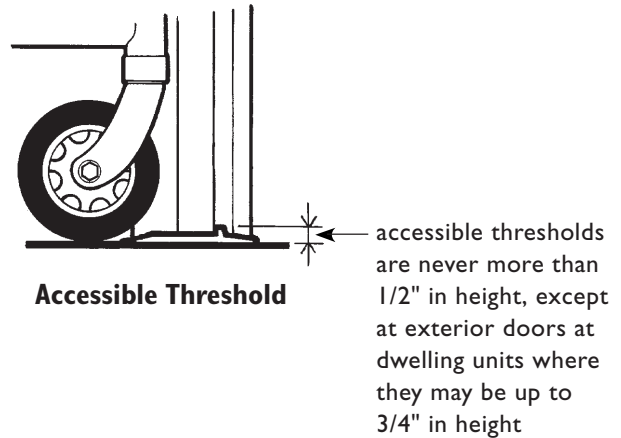
### Accessible Thresholds

Stanley Hardware  
P.O. Box 1840  
New Britain, CT 06050  
1-800-622-4393

National Guard Products, Inc.  
540 North Parkway  
P.O. Box 7353  
Memphis, TN 38107  
1-800-NGP-RUSH

Zero International, Inc.  
415 Concord Avenue  
Bronx, NY 10455-4898  
1-800-635-5335  
212-585-3230

Note: Most threshold companies have accessible thresholds.

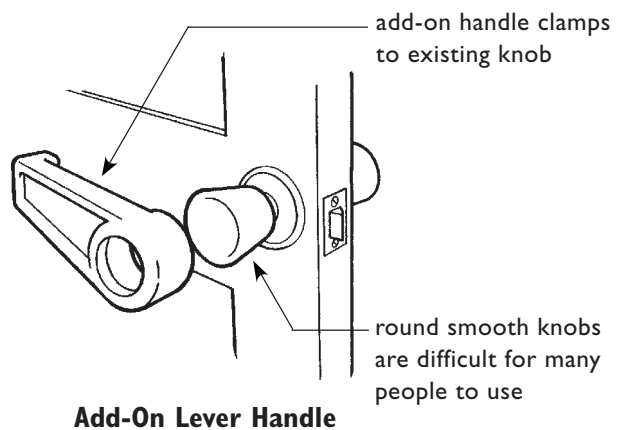


### Add-On Lever Handles

Lindustries, Inc.  
21 Shady Hill Road  
Weston, MA 02193  
617-235-5452

Extend Incorporated  
P.O. Box 864  
Moorhead, MN 56561-0864  
218-236-9686

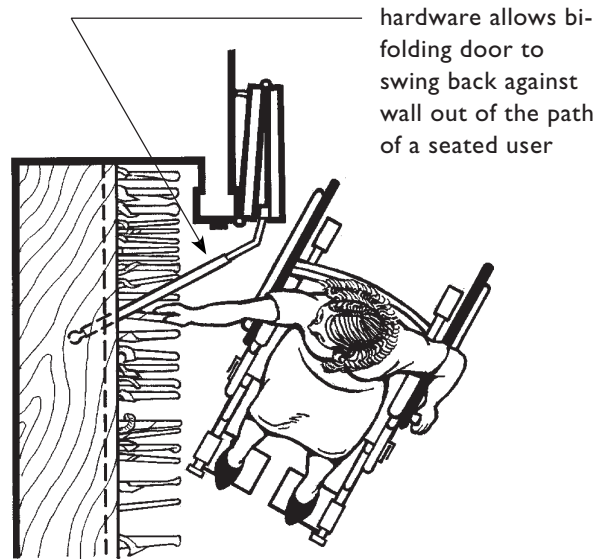
Schlage  
2401 Bayshore Boulevard  
San Francisco, CA 94134  
415-467-1100





### Bi-Fold Door Hardware

Ezyfold  
The Kiwi Connection  
82 Shelburne Center Road  
Shelburne, MA 01370  
413-625-2854



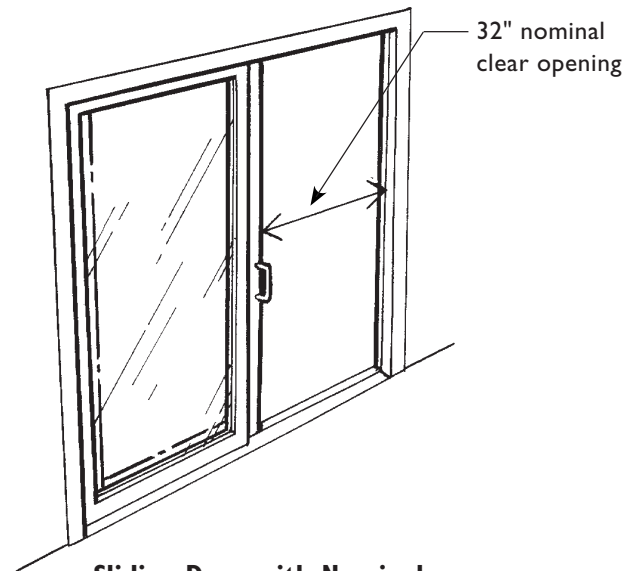
**Bi-Fold Door Hardware**

### 6'-0" Sliding Glass Doors with 32" Nominal Clear Opening

Bennings Building Products  
210 Walser  
Lexington, NC 27292  
1-800-222-3861

Kolbe and Kolbe Millwork, Co., Inc.  
1323 S. Eleventh Avenue  
Wausau, WI 54401  
715-842-5666  
(no 6'-0" sliding door; do have 6'-6" door with nominal 33" clear width opening)

Moss Supply Company  
5001 North Graham St.  
Charlotte, NC 28213  
1-800-438-0770



**Sliding Door with Nominal 32" Clear Opening**

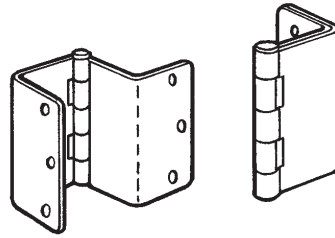
Note: While these doors provide the 32" nominal clear width, thresholds may need to be modified or altered to provide full access

### Swing-Clear Hinges

Stanley Hardware  
P.O. Box 1840  
New Britain, CT 06050  
1-800-622-4393

Ply Gems Barrier Free  
Philon Corporation  
6948 Frankford Avenue  
Philadelphia, PA 19135  
215-331-3434

Mont-Hard Inc.  
2415 Lifehaus Drive  
New Braunfels, TX 78130  
512-625-7795



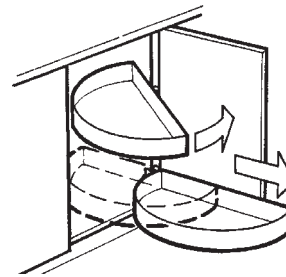
Swing-Clear Hinges

installation of swing-away hinges allows door to swing fully out of opening to increase the clear width of an existing door opening

### KITCHEN STORAGE

#### Revolving/Extending Shelves

Hafele America  
203 Feld Avenue  
P.O. Box 1590  
High Point, NC 27261  
910-889-2322



Revolving/Extending Semicircular Shelves

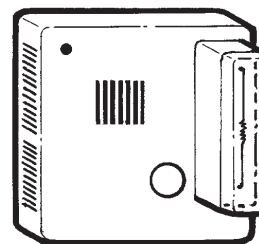
slide out shelves provide easy access for all users

### VISUAL SIGNALS AND ALARMS

HITEC Group Int'l., Inc.  
P.O. Box 187  
Westmont, IL 60559  
708-963-5588  
1-800-288-8303

Nutone  
Madison and Red Bank Roads  
Cincinnati, OH 45227-1599  
513-527-5100

Aiphone Corporation  
1700 130th Avenue, N.E.  
P.O. Box 90075  
Bellevue, WA 98009  
206-455-0510  
(video door signal)



Visual and Audible Alarm

fire alarm with strobe light to alert people with hearing impairments

**SELECTED REFERENCES**

American National Standards Institute (1986). *American National Standard for Buildings and Facilities - Providing Accessibility and Usability for Physically Handicapped People* (ANSI A117.1-1986). New York, NY. \*

American National Standards Institute (1992). *Accessible and Usable Buildings and Facilities* (ANSI/CABO A117.1-1992). New York, NY. \*

Barrier Free Environments, Inc. (1987). *Adaptable Housing*. Washington, DC: U.S. Department of Housing and Urban Development, Office of Policy Development and Research. \*\*

Barrier Free Environments, Inc. (1991). *The Accessible Housing Design File*. New York, NY: Van Nostrand Reinhold Company.

Center for Accessible Housing (1992). *Technical Design Bulletin #1, Fair Housing Accessibility Guidelines Requirement 1: Analyzing Site Impracticability on Difficult Sites*. Raleigh, NC.

Davies, Thomas D. Jr., and Kim A. Beasley (1992). *Fair Housing Design Guide for Accessibility*. Washington, DC: Paralyzed Veterans of America, National Association of Home Builders, National Multi-Housing Council, and the National Apartment Association.

---

\* Available from the American National Standards Institute, 1430 Broadway, New York, NY 10018, telephone: 1-212-642-4900

\*\* Available from HUD Distribution Center, 451 Seventh Street S.W., Washington, D.C. 20410; telephone: 1-800-767-7468

Leibrock, Cynthia, with Susan Behar (1992). *Beautiful Barrier-Free: A Visual Guide to Accessibility*. New York, NY: Van Nostrand Reinhold Company.

Raschko, Bettyann Boetticher (1982). *Housing Interiors for the Disabled and Elderly*. New York, NY: Van Nostrand Reinhold Company.

Salmen, John P. S. (1985). *The Do-Able Renewable Home*. Washington, DC: American Association of Retired Persons.

Steven Winter Associates, Inc., Tourbier and Walmsley, Inc., Edward Steinfeld, and Building Technology, Inc. (1993). *Cost of Accessible Housing*. Washington, DC: Department of Housing and Urban Development, Office of Policy Development and Research. \*\* \*\*\*

U.S. Department of Housing and Urban Development, Office of the Assistant Secretary for Fair Housing and Equal Opportunity. 24 Code of Federal Regulations (CFR) Chapter 1: Subchapter A.

Appendix I, *Final Fair Housing Regulations*, January 23, 1989.\*\*\*

Appendix II, *Final Fair Housing Accessibility Guidelines*, March 6, 1991.\*\*\*

Appendix III, *Preamble to the Final Fair Housing Accessibility Guidelines*, March 6, 1991.\*\*\*

Appendix IV, *Fair Housing Accessibility Guidelines, Questions and Answers, Supplement to the Notice*, June 28, 1994. \*\*\*

U.S. Department of Housing and Urban Development, Office of the Assistant Secretary for Fair Housing and Equal Opportunity (1992). Washington, DC. *HUD Accessibility Seminars Workbook*.

Wylde, Margaret, Adrian Baron-Robbins, and Sam Clark (1994). *Building for a Lifetime: The Design and Construction of Fully Accessible Homes*. Newtown, CT: the Taunton Press.

---

\*\*Available from HUD Distribution Center, 451 Seventh Street S.W., Washington, D.C. 20410; telephone: 1-800-767-7468

\*\*\*Available from the Fair Housing Information Clearinghouse, P. O. Box 9146, McLean, VA 22102, telephone: 1-800-343-3442 (voice); 1-800-290-1617 (TTY).