

§215.121

(f) Brake beam shelf support worn so excessively that it does not support the brake beam.

CAR BODIES

§215.121 Defective car body.

A railroad may not place or continue in service a car, if:

- (a) Any portion of the car body, truck, or their appurtenances (except wheels) has less than a 2½ inch clearance from the top of rail;
- (b) The car center sill is:
 - (1) Broken;
 - (2) Cracked more than 6 inches; or
 - (3) Permanently bent or buckled more than 2½ inches in any six foot length;
- (c) The car has a coupler carrier that is:
 - (1) Broken;
 - (2) Missing;
 - (3) Non-resilient and the coupler has a type F head.
- (d) After December 1, 1983, the car is a box car and its side doors are not equipped with operative hangers, or the equivalent, to prevent the doors from becoming disengaged.
- (e) The car has a center plate:
 - (1) That is not properly secured;
 - (2) Any portion of which is missing;
 or
 - (3) That is broken; or

49 CFR Ch. II (10-1-02 Edition)

(4) That has two or more cracks through its cross section (thickness) at the edge of the plate that extend to the portion of the plate that is obstructed from view while the truck is in place; or

(f) The car has a broken sidesill, crossbearer, or body bolster.

[44 FR 77340, Dec. 31, 1979, as amended at 47 FR 53737, Dec. 29, 1982]

DRAFT SYSTEM

§215.123 Defective couplers.

A railroad may not place or continue in service a car, if—

- (a) The car is equipped with a coupler shank that is bent out of alignment to the extent that the coupler will not couple automatically with the adjacent car;
- (b) The car has a coupler that has a crack in the highly stressed junction area of the shank and head as shown in the figure below (see figure 2).
- (c) The car has a coupler knuckle that is broken or cracked on the inside pulling face of the knuckle.
- (d) The car has a knuckle pin or knuckle thrower that is:
 - (1) Missing; or
 - (2) Inoperative; or
- (e) The car has a coupler retainer pin lock that is—

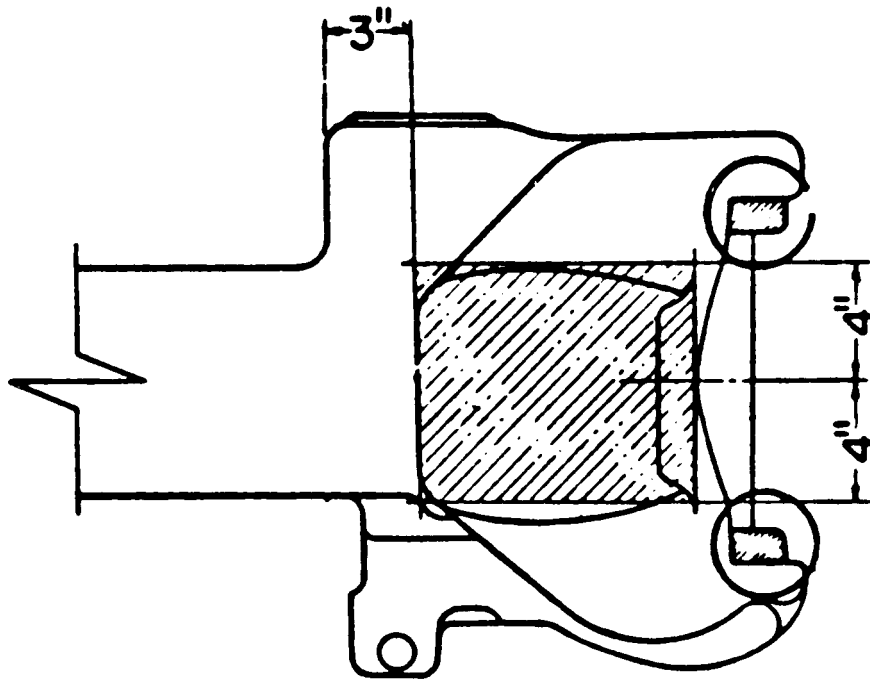


Figure 2

- (1) Missing; or
- (2) Broken; or
- (f) The car has a coupler with any of the following conditions:
 - (1) The locklift is inoperative;
 - (2) The coupler assembly does not have anticreep protection to prevent unintentional unlocking of the coupler lock; or
 - (3) The coupler lock is—
 - (i) Missing;
 - (ii) Inoperative;
 - (iii) Bent;
 - (iv) Cracked; or
 - (v) Broken.

§215.125 Defective uncoupling device.

A railroad may not place or continue in service a car, if the car has an uncoupling device without sufficient

vertical and lateral clearance to prevent—

- (a) Fouling on curves; or
- (b) Unintentional uncouplings.

§215.127 Defective draft arrangement.

A railroad may not place or continue in service a car, if—

- (a) The car has a draft gear that is inoperative;
- (b) The car has a broken yoke;
- (c) An end of car cushioning unit is—
 - (1) Leaking clearly formed droplets;
 or
 - (2) Inoperative;
- (d) A vertical coupler pin retainer plate—
 - (1) Is missing (except by design); or
 - (2) Has a missing fastener;
- (e) The car has a draft key, or draft key retainer, that is—