

the relief portion of the adapter, as shown in the figure below (see figure 1).

§215.119 Defective freight car truck.

A railroad may not place or continue in service a car, if the car has—

- (a) A side frame or bolster that—
- (1) Is broken; or
 - (2) Has a crack of $\frac{1}{4}$ of an inch or more in the transverse direction on a tension member;

(b) A truck equipped with a snubbing device that is ineffective, as evidenced by—

- (1) A snubbing friction element that is worn beyond a wear indicator;
- (2) A snubber wear plate that is loose, missing (except by design), or worn through;
- (3) A broken or missing snubber activating spring; or

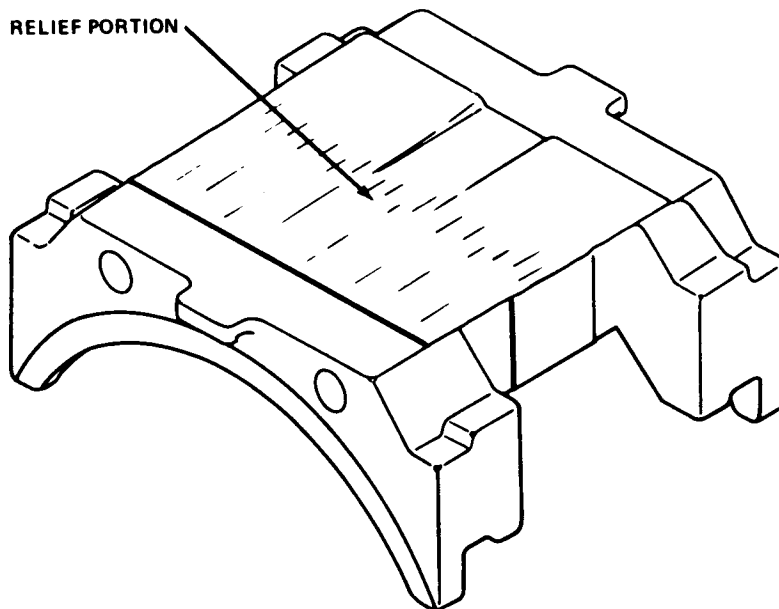


FIGURE 1

(4) Snubber unit that is broken, or in the case of hydraulic units, is broken or leaking clearly formed droplets of oil or other fluid.

(c) A side bearing in any of the following conditions:

- (1) Part of the side bearing assembly is missing or broken;
- (2) The bearings at one end of the car, on both sides, are in contact with the body bolster (except by design);
- (3) The bearings at one end of the car have a total clearance from the body bolster of more than $\frac{3}{4}$ of an inch; or

(4) At diagonally opposite sides of the car, the bearings have a total clearance from the body bolsters of more than $\frac{3}{4}$ of an inch;

(d) Truck springs—

- (1) That do not maintain travel or load;
- (2) That are compressed solid; or
- (3) More than one outer spring of which is broken, or missing, in any spring cluster;

(e) Interference between the truck bolster and the center plate that prevents proper truck rotations; or

§215.121

(f) Brake beam shelf support worn so excessively that it does not support the brake beam.

CAR BODIES

§215.121 Defective car body.

A railroad may not place or continue in service a car, if:

- (a) Any portion of the car body, truck, or their appurtenances (except wheels) has less than a 2½ inch clearance from the top of rail;
- (b) The car center sill is:
 - (1) Broken;
 - (2) Cracked more than 6 inches; or
 - (3) Permanently bent or buckled more than 2½ inches in any six foot length;
- (c) The car has a coupler carrier that is:
 - (1) Broken;
 - (2) Missing;
 - (3) Non-resilient and the coupler has a type F head.
- (d) After December 1, 1983, the car is a box car and its side doors are not equipped with operative hangers, or the equivalent, to prevent the doors from becoming disengaged.
- (e) The car has a center plate:
 - (1) That is not properly secured;
 - (2) Any portion of which is missing;
 or
 - (3) That is broken; or

49 CFR Ch. II (10-1-02 Edition)

(4) That has two or more cracks through its cross section (thickness) at the edge of the plate that extend to the portion of the plate that is obstructed from view while the truck is in place; or

(f) The car has a broken sidesill, crossbearer, or body bolster.

[44 FR 77340, Dec. 31, 1979, as amended at 47 FR 53737, Dec. 29, 1982]

DRAFT SYSTEM

§215.123 Defective couplers.

A railroad may not place or continue in service a car, if—

- (a) The car is equipped with a coupler shank that is bent out of alignment to the extent that the coupler will not couple automatically with the adjacent car;
- (b) The car has a coupler that has a crack in the highly stressed junction area of the shank and head as shown in the figure below (see figure 2).
- (c) The car has a coupler knuckle that is broken or cracked on the inside pulling face of the knuckle.
- (d) The car has a knuckle pin or knuckle thrower that is:
 - (1) Missing; or
 - (2) Inoperative; or
- (e) The car has a coupler retainer pin lock that is—