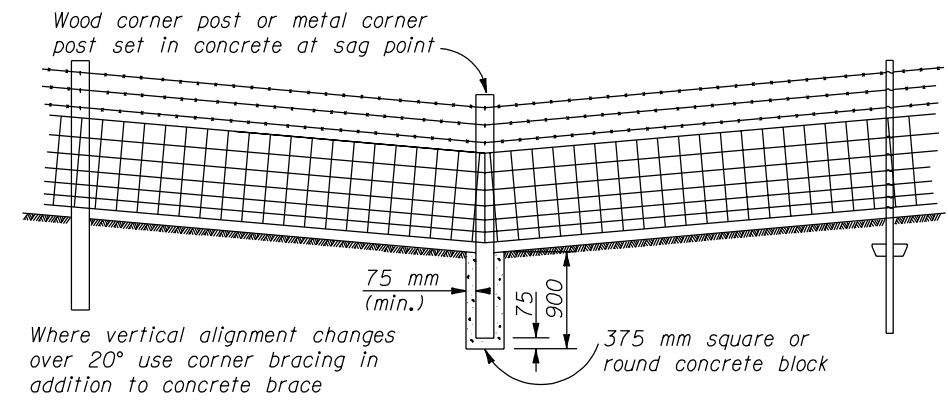
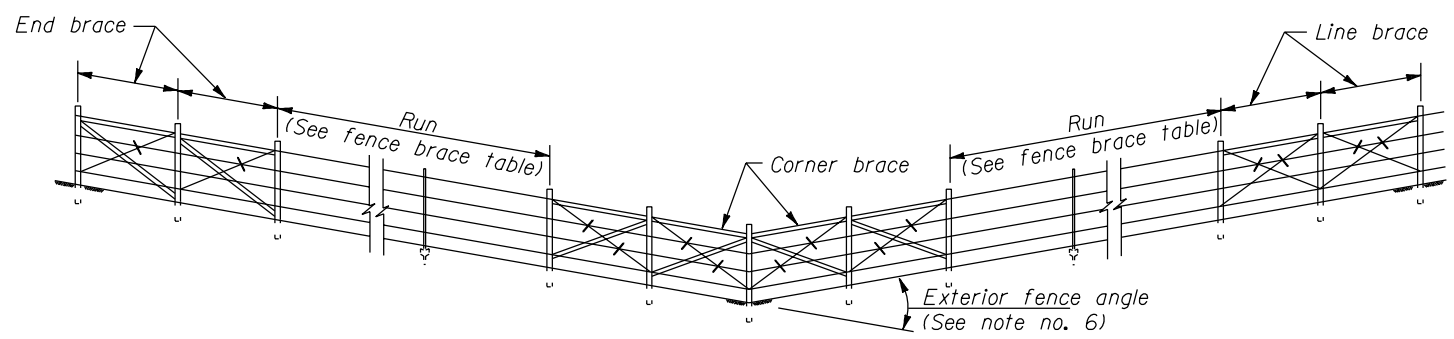


TYPICAL SAG SECTION - BARBED WIRE FENCES



TYPICAL SAG SECTION FOR WOVEN WIRE, MESH OR COMBINATION FENCES

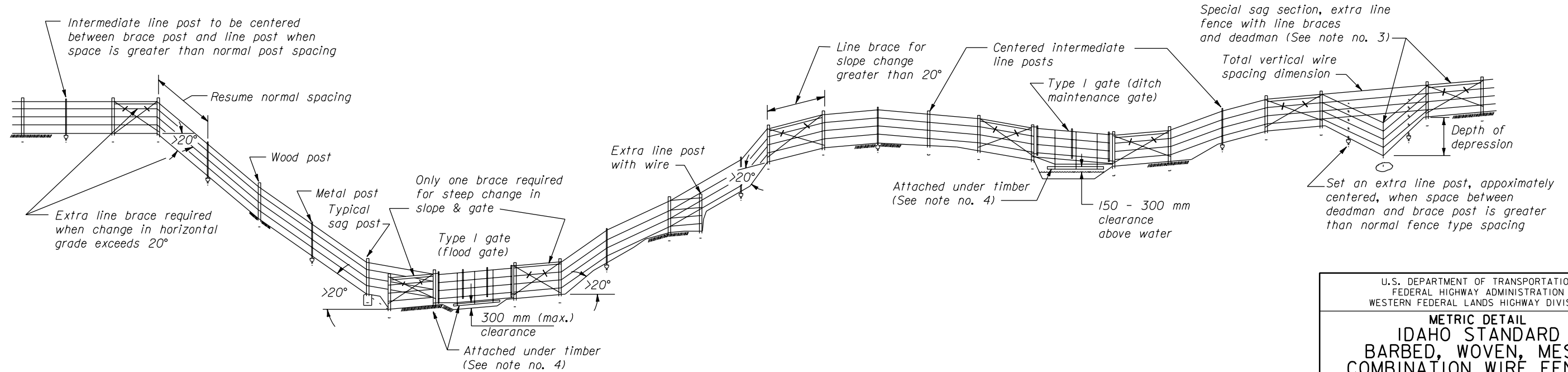


DOUBLE BRACE PANELS

FENCE BRACE TABLE			
FENCE TYPE	RUN IN METERS	WOOD PANELS REQUIRED	METAL BRACES
1, 5, 11, & 6	<20	NONE	NONE
	20 - 200	SINGLE	SINGLE
	200 - 300	DOUBLE	NOT ALLOWED
2, 3, & 33	<10	NONE	NONE
	10 - 100	SINGLE	SINGLE
	100 - 200	DOUBLE	NOT ALLOWED

**NOTE:**

1. Dimensions not labeled are in millimeters.
2. When a fence line approaches a ditch, gully, or depression, place the last post on level ground placed close enough to the edge of the drop-off that the wire may be strung to a post in the depression without touching the ground.
3. When the depth of a depression on a Type 1, 5, or 11 fence exceeds the total vertical wire spacing over a maximum horizontal run of 2 spaces, an extra fence shall be constructed through the depression. Extra line braces and a deadman are included in this application. See the special applications for barbed wire detail.
4. When a Type 1 gate is used in a special application as shown, extra line braces and the attached under timber, wire, and wire stays are included. The horizontal wires on the under timber are not to be stapled but wrapped around brace post, twice then around the wire itself.
5. The special applications for barbed wire fences may be used for woven wire fence Types 2, 3, and 33 with approval or as directed. A Type 2 gate should be used with these fences. Barbed wire may be used through the depressions or etc., however the wires must match the woven wire spacing as nearly as possible. The under timber should not be attached directly to a Type 2 gate.
6. When wood braces are used and the fence corner angle exceeds 30° in the exterior angle of the fence, use double panels on the corner brace. Install double panels for line and terminal braces according to the fence brace table.
7. Use metal braces as shown in the metal brace details or the fence brace table.



SPECIAL APPLICATIONS FOR TYPE 1, 5, & 11 BARBED WIRE FENCES

NO SCALE

U.S. DEPARTMENT OF TRANSPORTATION  
 FEDERAL HIGHWAY ADMINISTRATION  
 WESTERN FEDERAL LANDS HIGHWAY DIVISION

**METRIC DETAIL**  
**IDAHO STANDARD**  
**BARBED, WOVEN, MESH,**  
**COMBINATION WIRE FENCES**  
**AND FENCING APPLICATIONS**

DETAIL APPROVED FOR USE 3/1996  
 REVISIONS:  
 DETAIL  
**WM619-53**

13 DEC 2000 f:\standrow\metric\details\wm61953.dgn