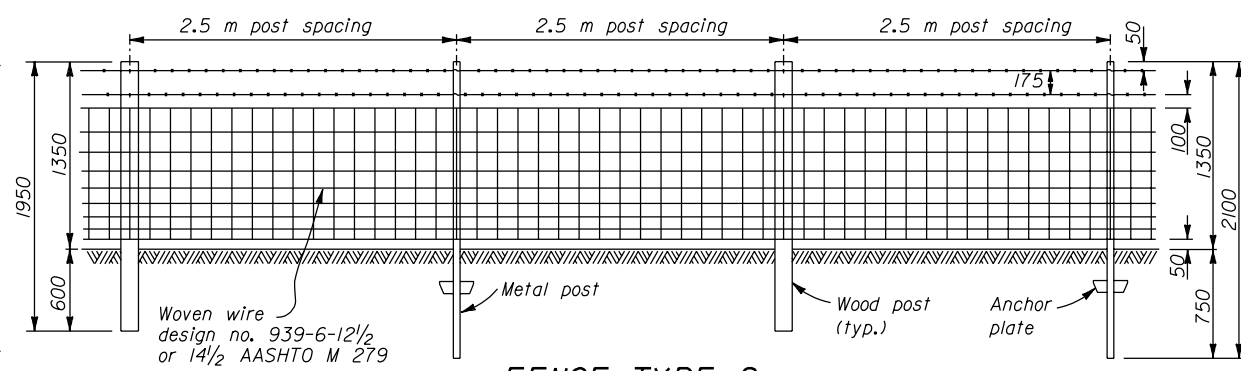
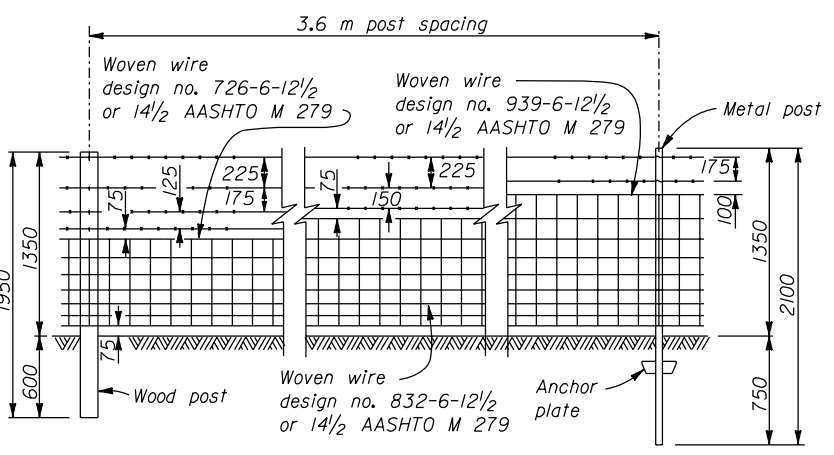


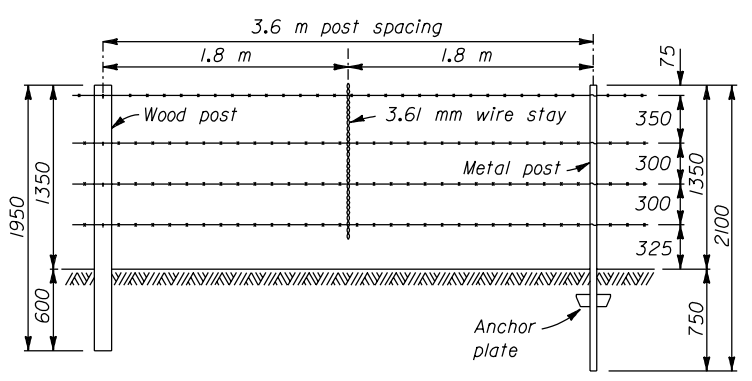
FENCE TYPE 1



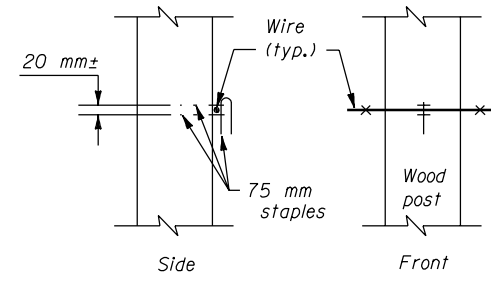
FENCE TYPE 2  
(Wood and metal posts to be alternated)



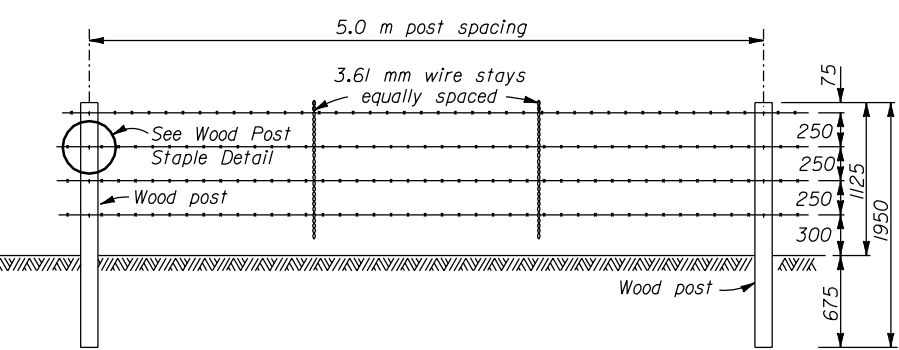
FENCE TYPE 3



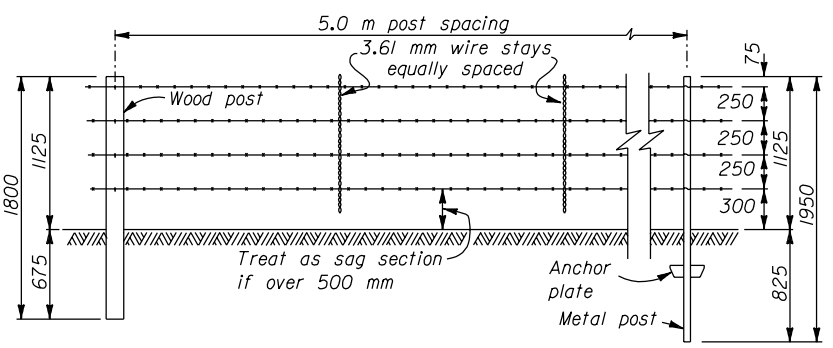
FENCE TYPE 5



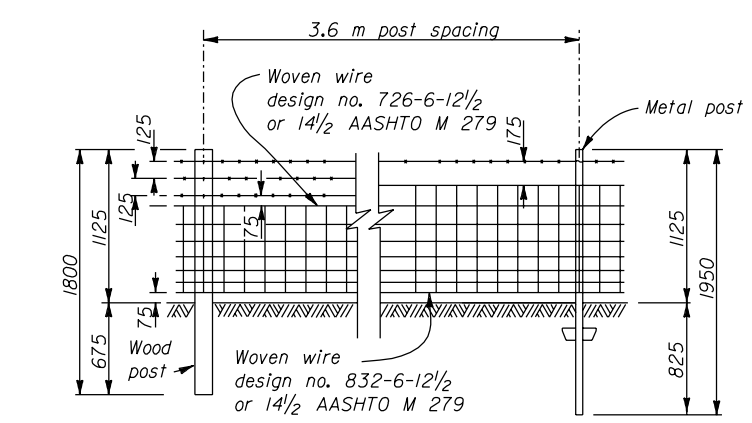
WOOD POST STAPLE DETAIL  
(For drop fence Type 6)



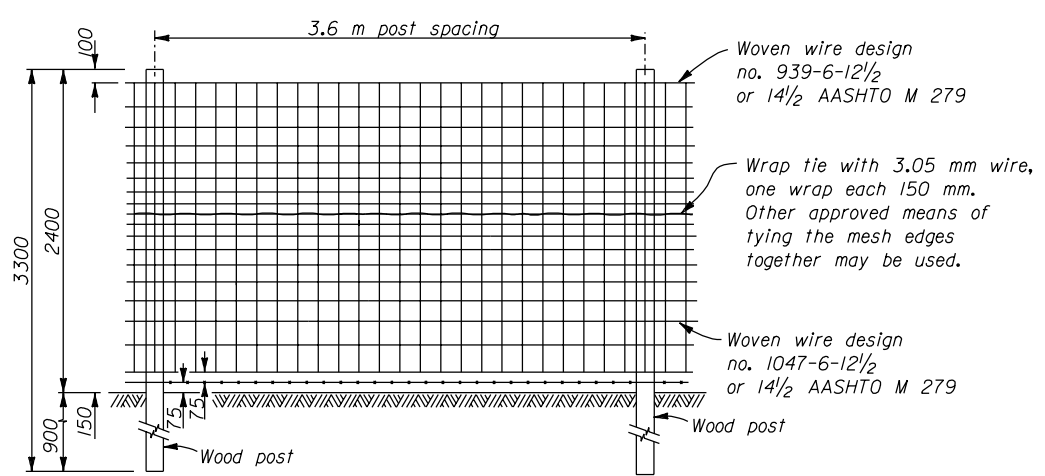
DROP FENCE TYPE 6



FENCE TYPE II



FENCE TYPE 33



DEER-PROOF FENCE TYPE 8

NOTE:

1. Dimensions not labeled are in millimeters.
2. Furnish either zinc coated (galvanized) or aluminum coated steel barbed wire.
3. Furnish either zinc coated (galvanized) or aluminum coated steel wire fence fabric of the design no. specified. If zinc coated fabric is furnished in 1.93 mm wire, coat the wire with a Class 3 coating.
4. Furnish 2.5l mm tie wire and wire clamps for fasteners in metal posts. Furnish 3.76 mm by 40 mm minimum length staples for wood post fasteners. Staple fence fabric on wood posts on alternate wires except in sag sections staple all wires to post. Use four wire clamps per post to attach fence fabric to steel posts. Use one wire clamp per wire per post on steel posts.
5. Furnish either painted or galvanized steel line posts. Furnish pressure treated Douglas fir, Western larch, Cedar, or pine of any species for wood line posts. Provide wood line posts with a minimum post circumference of 250 mm and a minimum distance between opposite faces of 75 mm. Treat the posts with pentachlorophenol, ACZA, or CCA, Type I, A, B, or C.

U.S. DEPARTMENT OF TRANSPORTATION  
FEDERAL HIGHWAY ADMINISTRATION  
WESTERN FEDERAL LANDS HIGHWAY DIVISION

METRIC DETAIL

IDAHO  
RIGHT-OF-WAY FENCES

DETAIL APPROVED FOR USE 3/1996

REVISID: \_\_\_\_\_

DETAIL  
WM619-50

NO SCALE

13 DEC 2000 f:\standrow\metric\details\wm61950.dgn