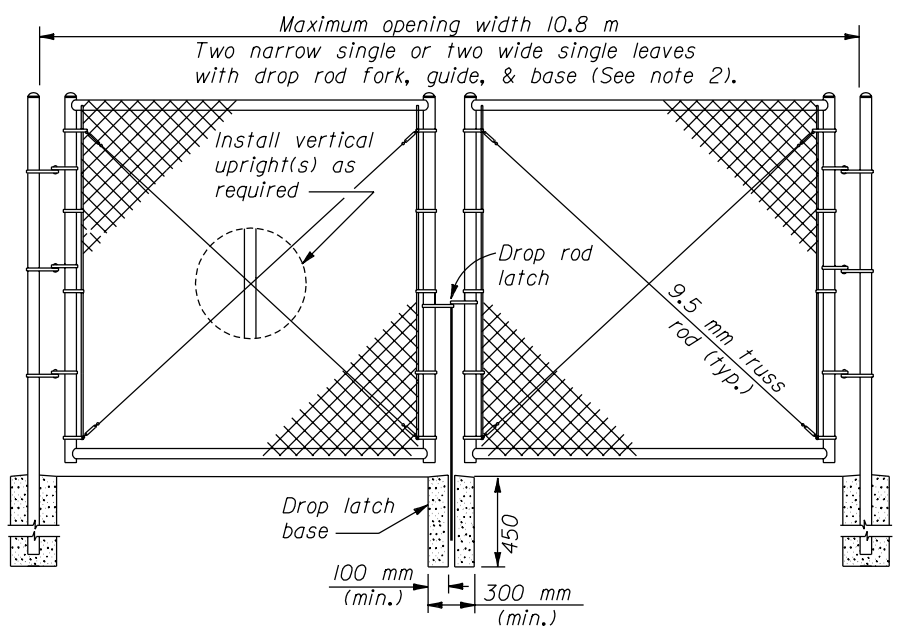
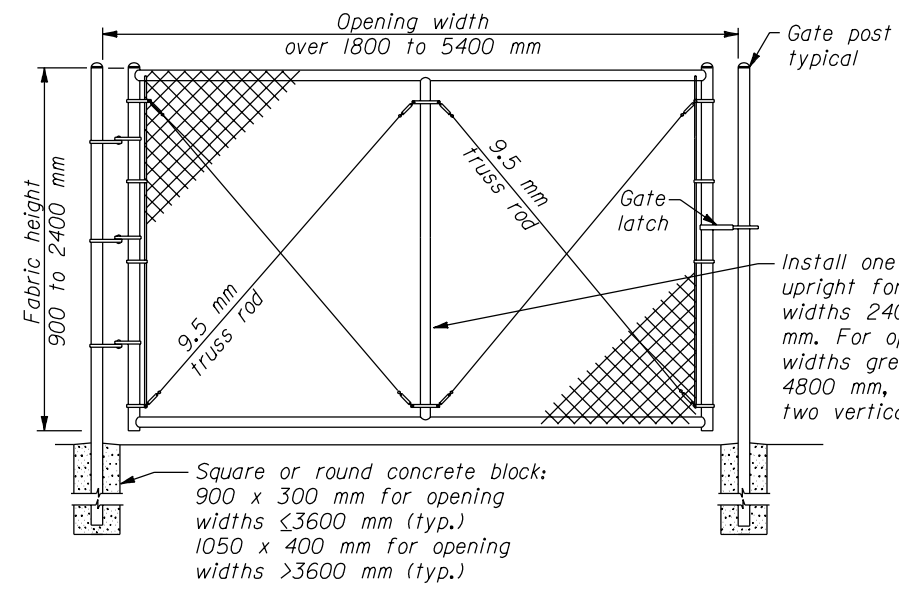


HARDWARE ITEM DESCRIPTION	STANDARD REQUIREMENTS
Brace rail and top rail 	See table on Detail WM619-22
Line post 	See table on Detail WM619-22
Corner, end and pull posts 	See table on Detail WM619-22
Post cap 	Cast non-ferrous alloy or galvanized pressed steel cap must fit snugly on post and gate top
Line post cap 	Galvanized pressed steel minimum 2.38 mm thickness or galvanized malleable ferrous alloy
Tension band 	Minimum 3.18 x 75 mm galvanized steel
Brace band 	Minimum 3.18 x 75 mm galvanized steel
Band bolt 	Minimum M10 x 45 mm galvanized carriage bolt, (Lock washer & flat washer for each band)
Rail end 	Galvanized pressed steel or galvanized malleable ferrous alloy minimum 9.53 mm thickness on back bolting appendage
Brace rail end 	Galvanized pressed steel or galvanized malleable ferrous alloy minimum 9.53 mm thickness on back bolting appendage
Truss rod tightner 	Minimum 9.52 mm formed galvanized steel
Truss rod 	9.5 mm galvanized, nc threaded rod, lock washer, & flat washer with two 90° bends opposite of threaded end
Top rail sleeve 	Galvanized steel 1.30 mm minimum thickness by 150 mm minimum length
Tension bar 	Minimum 4.76 x 75 mm galvanized steel
Fence fabric 	50 mm diamond mesh fabric, See note no. 8 on Detail WM619-22
Tie wires 	Minimum 3.76 mm aluminum with one hooked end
Coil tension wire 	4.50 minimum diameter metallic coated wire
Gate latch 	Minimum 3.18 mm galvanized pressed steel or malleable ferrous alloy. 1 latch per each single gate with bent minimum M10 attachment bolt, washer & nut.
Frame hinge 	Minimum 3.18 mm galvanized pressed steel with 2 - M10 U-bolts, lockwasher & nuts per hinge. Use 2 hinges per gate leaf up to 2400 mm in width and 3 hinges per gate leaf widths greater than 2400 mm.
Drop rod latch & guide 	Minimum 3.18 mm galvanized pressed steel. Drop rod guide includes M10 x 75 mm carriage bolt with lock washer & nut. Weld drop rod fork to rod & paint with an approved zinc rich paint.



**DOUBLE LEAF GATE**

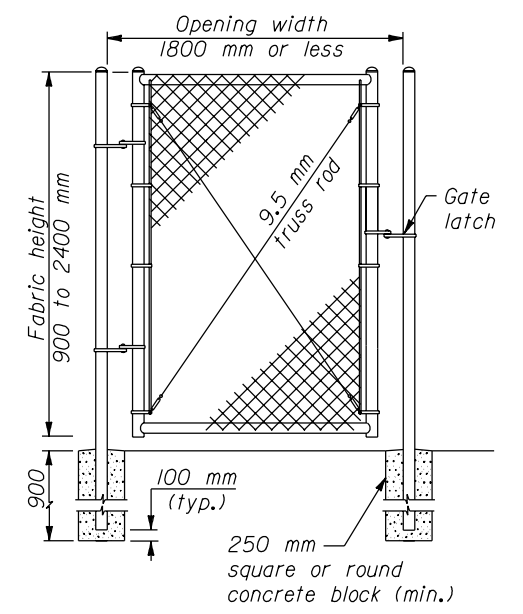


**WIDE SINGLE LEAF GATE**

GATE LEAF WIDTHS		CHAIN LINK GATE POST AND FRAME SIZE AND WEIGHT TABLE					
		ROUND PIPE					
		Steel		Aluminum		Steel	
		Minimum yield strength Mpa.					
		172		172		345	
		Size and mass					
		dia. mm	kg/m	dia. mm	kg/m	dia. mm	kg/m
		(min.)		(min.)		(min.)	
1800 mm or less	Gate	7.30	6.91	7.30	2.89	7.30	6.91
Over 1800 to 3600 mm	post	10.16	12.87	10.16	4.45	10.16	9.76
Over 3600 to 5400 mm	size	16.83	26.82	---	---	---	---
Outside frame member	frame	4.83	3.39	4.83	1.35	4.83	3.39
Interior bracing member	size	4.22	2.72	4.83	1.35	4.22	2.74

**NOTE:**

- All dimensions on this drawing are in millimeters.
- Reinforce the gate frame corners with a malleable iron or pressed steel fitting designed for the purpose or shop weld the corners. Grind smooth all welds and paint with an approved zinc rich paint. Furnish each gate with the necessary hinges, latch, and drop rod locking device designed for the type of gate posts and gate used on the project. Provide positive type latching devices with provisions for pad locking at all gates. Provide keepers to retain the gate in the open position.
- Approved alternate gate frames constructed of steel sections, other than pipe, may be used.
- The design of the chain link hardware may vary from the details shown, however, all hardware and materials used in a single installations shall be uniform and compatible.
- Furnish hardware in the metric sizes shown. Equivalent imperial sizes may be used when metric sizes are not available.



**NARROW SINGLE LEAF GATE**

U.S. DEPARTMENT OF TRANSPORTATION  
FEDERAL HIGHWAY ADMINISTRATION  
WESTERN FEDERAL LANDS HIGHWAY DIVISION

**METRIC DETAIL**

**CHAIN LINK HARDWARE AND GATE**

DETAIL APPROVED FOR USE 3/1996

REVISID: \_\_\_\_\_

DETAIL **WM619-23**

NO SCALE

f:\standrow\metric\details\wm61923.dgn 13 DEC 2000