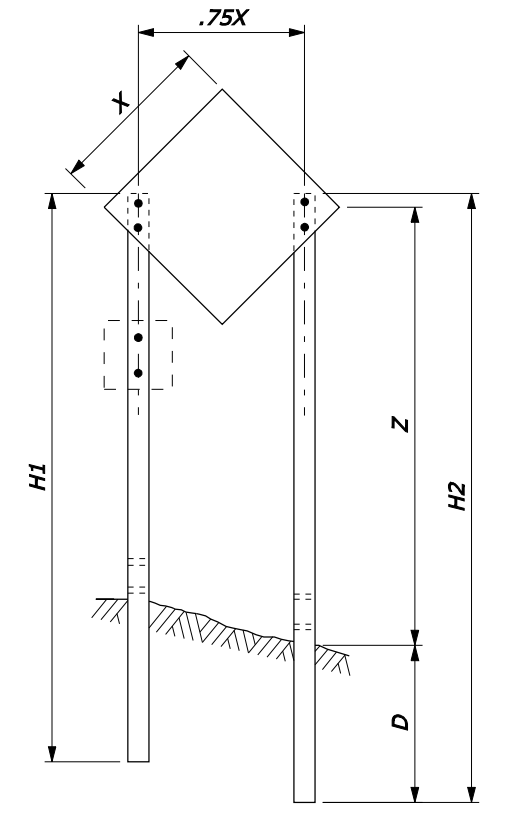
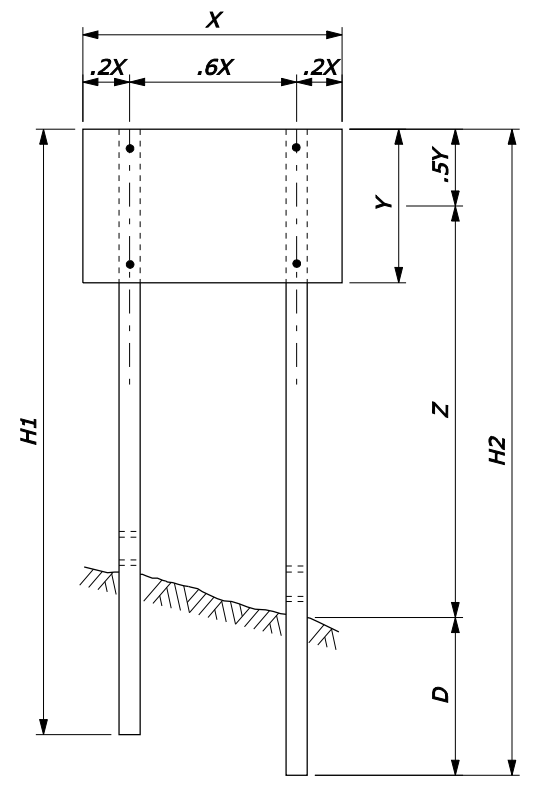


SINGLE POST SIGN

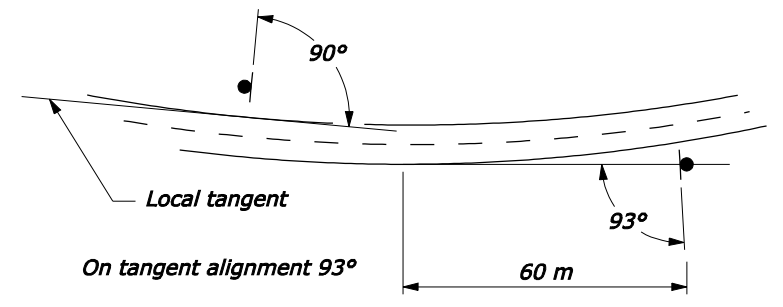


TWO POST SIGN



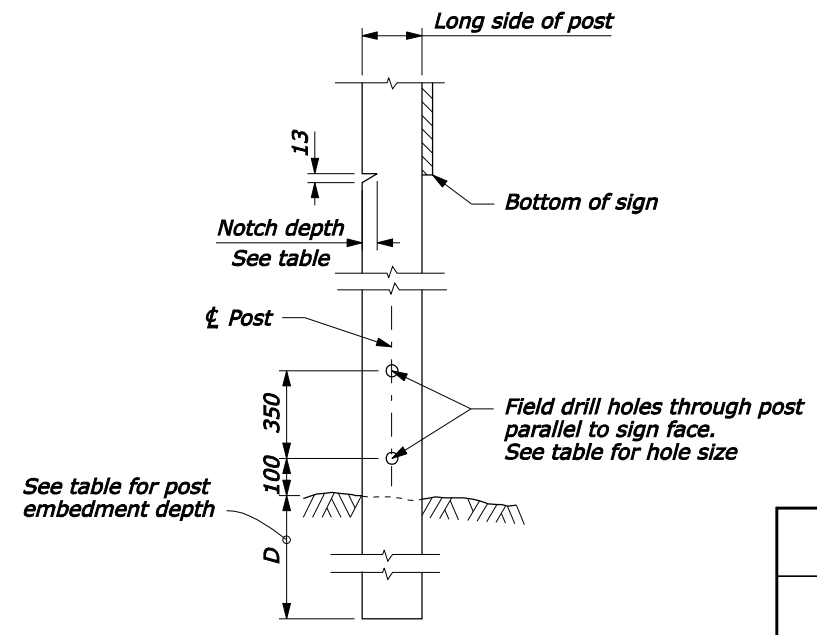
NOTE:

1. Attach sign panels with a minimum of 2 - M6 bolts per post.
2. Mount signs smaller than listed on a single 100 x 100 post. For signs not shown, use next largest size.
3. H1 and H2 = Overall post length. Select post lengths to fit field conditions.
4. D = Post embedment depth for average soil conditions.
5. When pedestrians are present, or in areas where the view is obstructed, use 2.1 m minimum mounting height.
6. Furnish hardware in the metric sizes shown. Equivalent US Customary sizes may be used when metric sizes are not available.
7. Dimensions without units are millimeters.



SIGN INSTALLATION ANGLE

WOOD POST SELECTION TABLE											
SIGN SHAPE	X x Y	GROUNDLINE TO CENTER OF SIGN HEIGHT (Z)									
		Z IS 3 m OR LESS					Z IS GREATER THAN 3 m				
		NUMBER OF POSTS	POST SIZE	D	HOLE SIZE	NOTCH DEPTH	NUMBER OF POSTS	POST SIZE	D	HOLE SIZE	NOTCH DEPTH
◇	750 x 750	1	100 x 100	900	0	0	1 or 2	100 x 150 100 x 100	1200 900	40 0	0
◇	900 x 900	1 or 2	100 x 150 100 x 100	1200 900	40 0	0	1 or 2	100 x 150 100 x 100	1200 900	40 0	0
◇	1200 x 1200	1	100 x 150	1200	40	0	1 or 2	150 x 200 100 x 150	1200 1200	75 40	0 45
□	1500 x 750	2	100 x 100	900	0	0	2	100 x 150	1200	40	45
□	1950 x 1050	2	100 x 150	1200	40	45	2	100 x 150	1200	40	45
□	2400 x 1200	2	100 x 150	1200	40	45	2	150 x 200	1200	75	60



POST DETAIL

U.S. DEPARTMENT OF TRANSPORTATION
 FEDERAL HIGHWAY ADMINISTRATION
 WESTERN FEDERAL LANDS HIGHWAY DIVISION

**METRIC DETAIL
 CONSTRUCTION SIGN
 INSTALLATION
 WOOD POSTS**

DETAIL APPROVED FOR USE 12/2006
 REVISIONS:

DETAIL
 WM635-20

NO SCALE