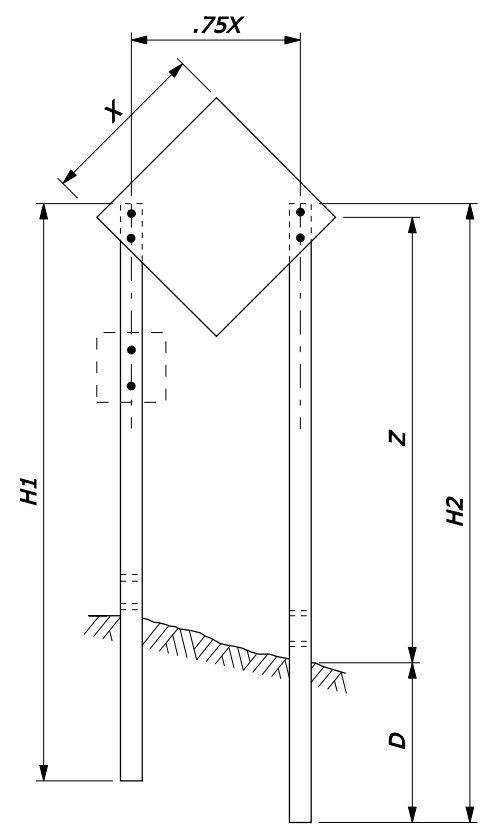
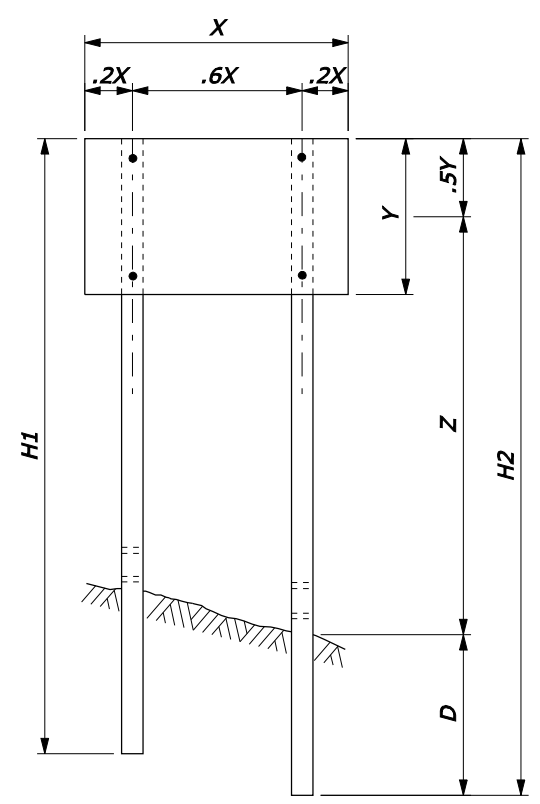


SINGLE POST SIGN

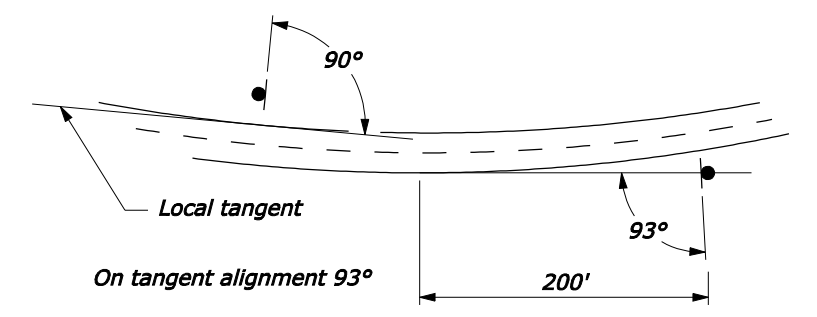


TWO POST SIGN



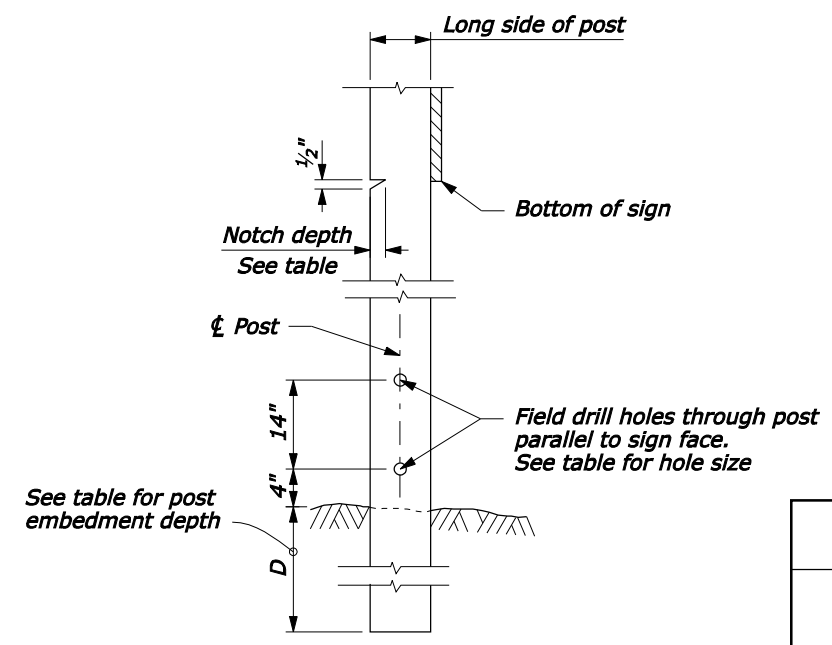
NOTE:

1. Attach sign panels with a minimum of 2 - 1/4" dia. bolts per post.
2. Mount signs smaller than listed on a single 4" x 4" post. For signs not shown, use next largest size.
3. H1 and H2 = Overall post length. Select post lengths to fit field conditions.
4. D = Post embedment depth for average soil conditions.
5. When pedestrians are present, or in areas where the view obstructed, use 7' minimum mounting height.



SIGN INSTALLATION ANGLE

WOOD POST SELECTION TABLE											
SIGN SHAPE	X x Y	GROUNDLINE TO CENTER OF SIGN HEIGHT (Z)									
		Z IS 10' OR LESS					Z IS GREATER THAN 10'				
		NUMBER OF POSTS	POST SIZE	D	HOLE SIZE	NOTCH DEPTH	NUMBER OF POSTS	POST SIZE	D	HOLE SIZE	NOTCH DEPTH
	30" x 30"	1	4" x 4"	36"	0	0	1 or 2	4" x 6" 4" x 4"	48" 36"	1 1/2" 0	0
	36" x 36"	1 or 2	4" x 6" 4" x 4"	48" 36"	1 1/2" 0	0	1 or 2	4" x 6" 4" x 4"	48" 36"	1 1/2" 0	0
	48" x 48"	1	4" x 6"	48"	1 1/2"	0	1 or 2	6" x 8" 4" x 6"	48" 48"	3" 1 1/2"	0 1 3/4"
	60" x 30"	2	4" x 4"	36"	0	0	2	4" x 6"	48"	1 1/2"	1 3/4"
	78" x 42"	2	4" x 6"	48"	1 1/2"	1 3/4"	2	4" x 6"	48"	1 1/2"	1 3/4"
	96" x 48"	2	4" x 6"	48"	1 1/2"	1 3/4"	2	6" x 8"	48"	3"	2 1/4"



POST DETAIL

NO SCALE

U.S. DEPARTMENT OF TRANSPORTATION
 FEDERAL HIGHWAY ADMINISTRATION
 WESTERN FEDERAL LANDS HIGHWAY DIVISION

**U.S. CUSTOMARY DETAIL
 CONSTRUCTION SIGN
 INSTALLATION
 WOOD POSTS**

DETAIL APPROVED FOR USE 12/2006
 REVISIONS:

DETAIL
 W635-20