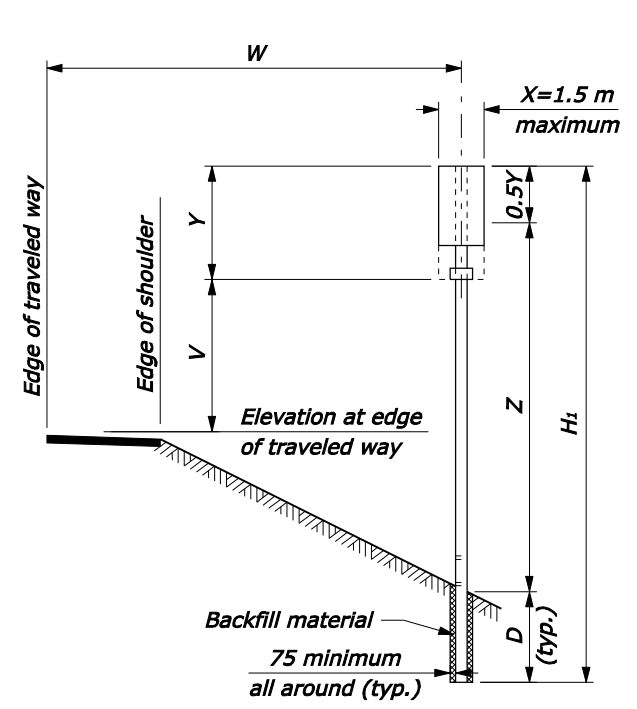
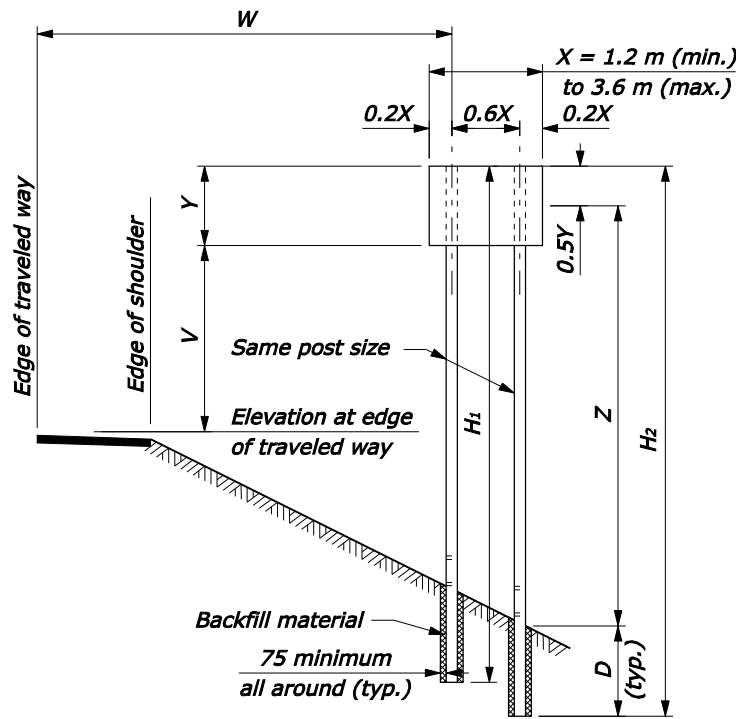


POST DETAIL



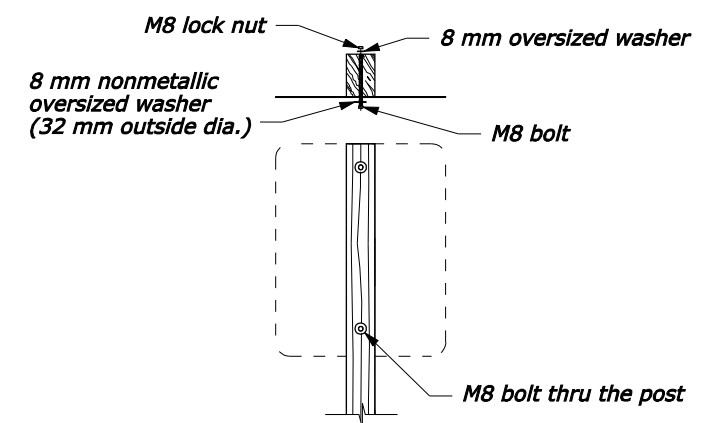
SINGLE POST SIGNS



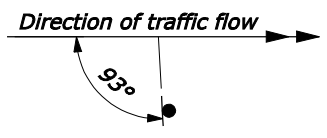
TWO POST SIGNS

NOTE:

1. Traffic barrier protection is required for all posts larger than 150 x 200 mm when located within the clear zone or if the post is vulnerable to being struck when placed outside the clear zone.
2. H₁ thru H₄ indicate overall post length. Select post lengths to fit field conditions.
3. D is the minimum post embedment depth for average soil conditions. See Wood Post Selection Table below.
4. Z is the height from ground line to mid-height of sign at the longest post.
5. For the purpose of post selection X and Y are as follows:
 - Single sign, or back to back signs: X and Y are the overall dimensions of the signs.
 - Multiple sign installations: X and Y are the dimensions of a rectangle enclosing all the signs.
6. Dimensions without units are millimeters.



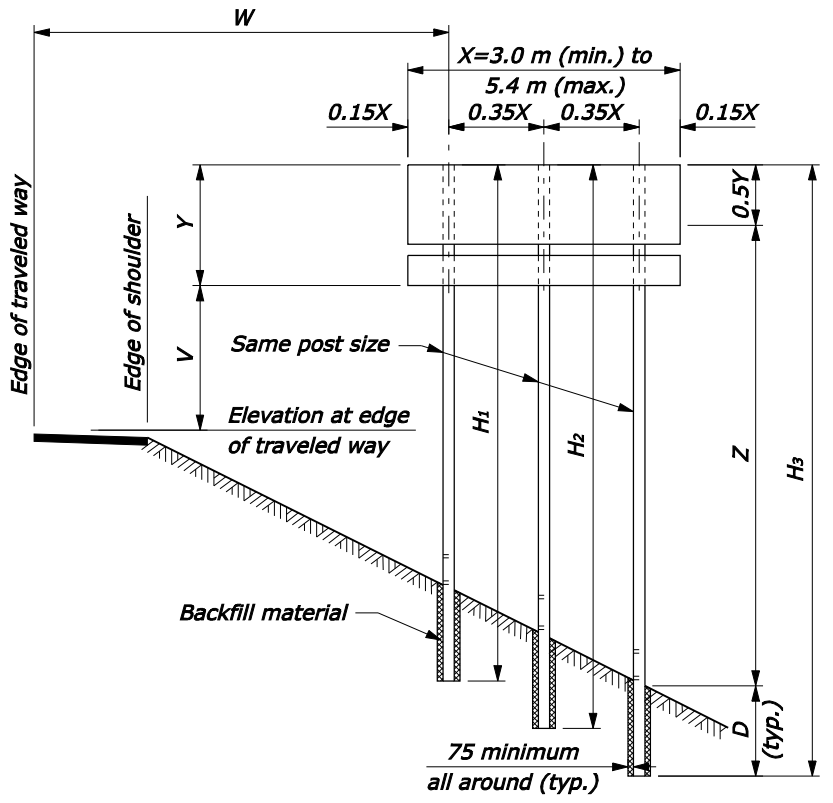
TYPICAL MOUNTING FOR SIGNS WITHOUT ANGLES



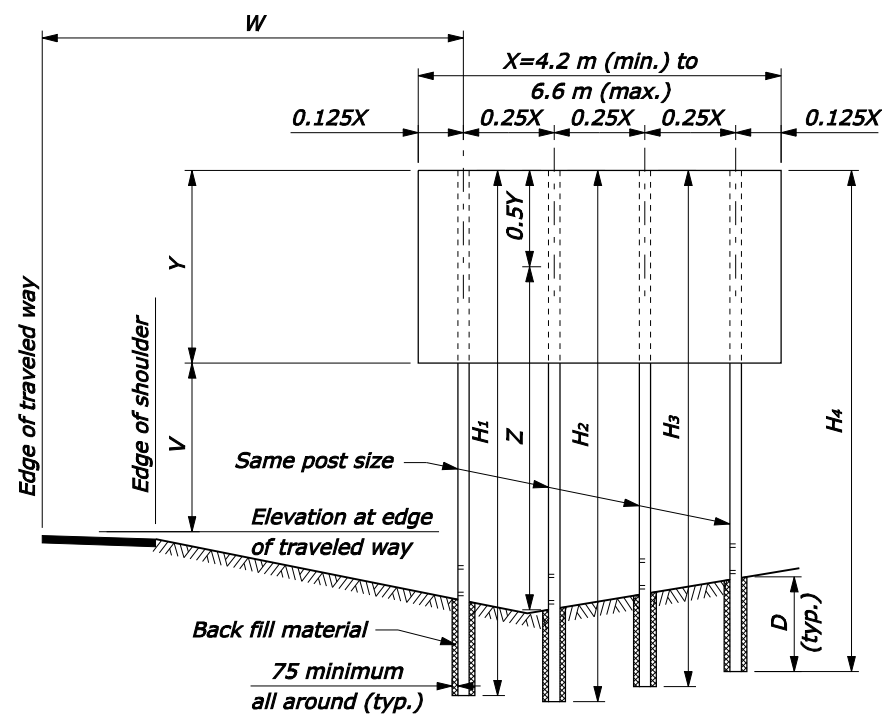
SIGN INSTALLATION ANGLE
For all retroreflectorized signs where W > 7.5 m

| MINIMUM DISTANCE TO SIGN | | |
|---------------------------------|--------------------|---------------------|
| Location | Lateral Offset (W) | Mounting Height (V) |
| Rural Districts | 1.8 m | 1.5 m |
| Business or Residence Districts | 0.6 m from curb | 2.1 m |

V may be reduced by 0.3 m in rural districts for a secondary sign mounted below another sign.



THREE POST SIGNS



FOUR POST SIGNS

| POST SIZE (mm) | NUMBER OF POSTS | | | | D (m) | Notch depth and hole diameter |
|----------------|-----------------|------|------|-------|-------|-------------------------------|
| | 1 | 2 | 3 | 4 | | |
| 100 x 100 | 2.2 | 4.3 | 6.6 | 18.7 | 0.9 | - |
| 100 x 150 | 5.0 | 10.8 | 15.3 | 20.3 | 1.2 | 45 mm |
| 150 x 150 | 6.6 | 13.3 | 19.9 | 26.6 | 1.2 | 45 mm |
| 150 x 200 | 8.4 | 23.8 | 35.8 | 47.6 | 1.2 | 65 mm |
| 150 x 250 | 10.8 | 33.0 | 49.6 | 66.1 | 1.5 | - |
| 200 x 250 | 16.1 | 45.1 | 67.5 | 90.0 | 1.5 | - |
| 200 x 300 | 21.7 | 64.7 | 97.0 | 129.4 | 1.8 | - |

Values shown are the maximum permitted. If the product of XYZ exceeds the limit for the largest post, use steel post installation.

U.S. DEPARTMENT OF TRANSPORTATION
FEDERAL HIGHWAY ADMINISTRATION
WESTERN FEDERAL LANDS HIGHWAY DIVISION

METRIC DETAIL

PERMANENT SIGN INSTALLATION WOOD POSTS

DETAIL APPROVED FOR USE --/----

REVISED: 2/1998 3/1999
DRAFT: 10/2007

DETAIL WM633-7

NO SCALE