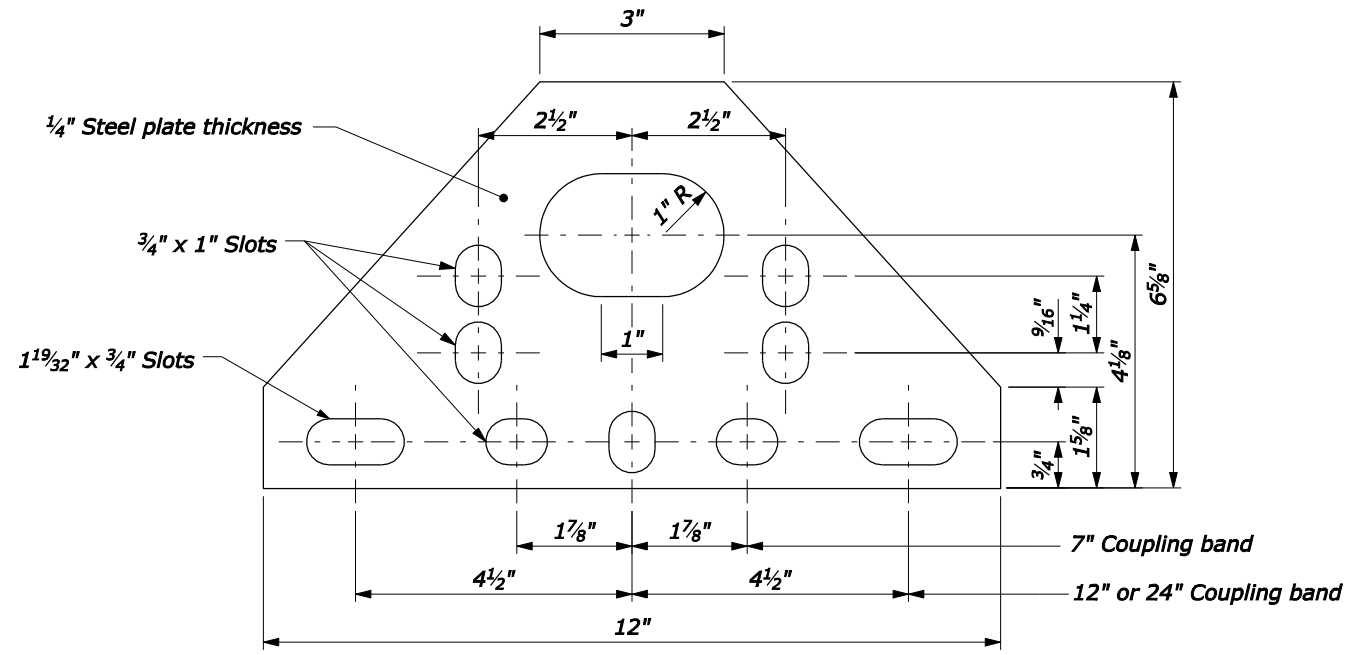
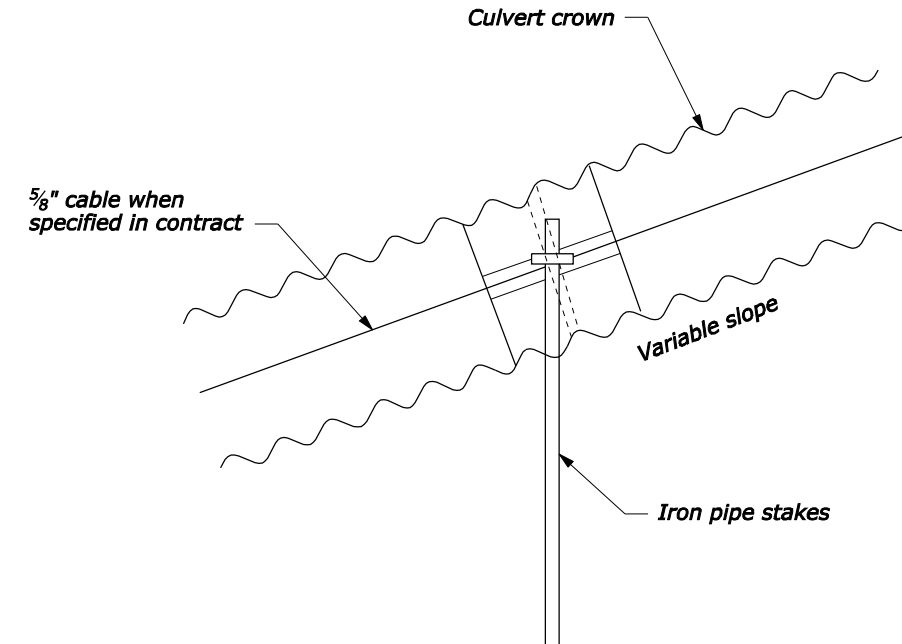


**NOTE:**

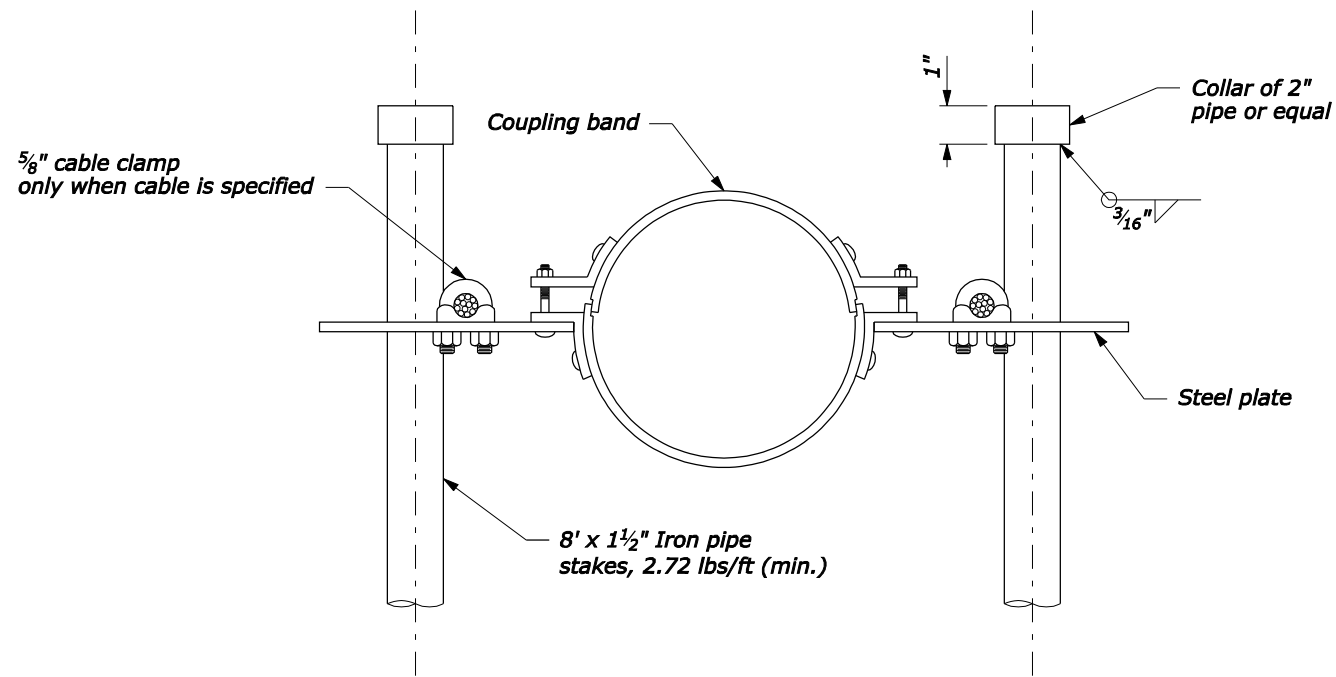
1. All pipe stakes and hardware to be galvanized after fabrication.
2. Approved alternative pipe anchor assemblies may be used.
3. Place slope anchor assemblies on 20' max. centers on slopes 20% or greater.
4. Plate material to be ASTM 1/4" galvanized after fabrication.



**STEEL PLATE**



**METAL PIPE ASSEMBLY**



**ANCHOR ASSEMBLY**

NO SCALE

U.S. DEPARTMENT OF TRANSPORTATION FEDERAL HIGHWAY ADMINISTRATION WESTERN FEDERAL LANDS HIGHWAY DIVISION	
U.S. CUSTOMARY DETAIL	
<b>PIPE ANCHOR ASSEMBLY</b>	
DETAIL APPROVED FOR USE 4/2009	DETAIL
REVISED:	W606-14