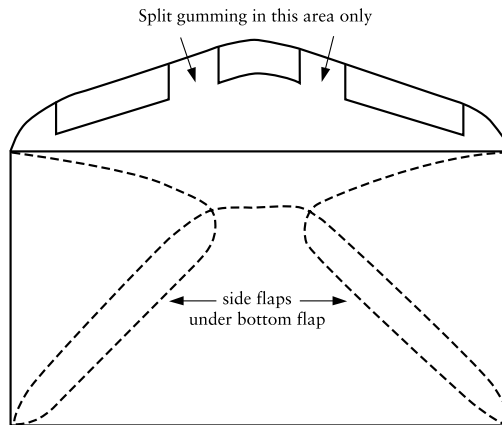


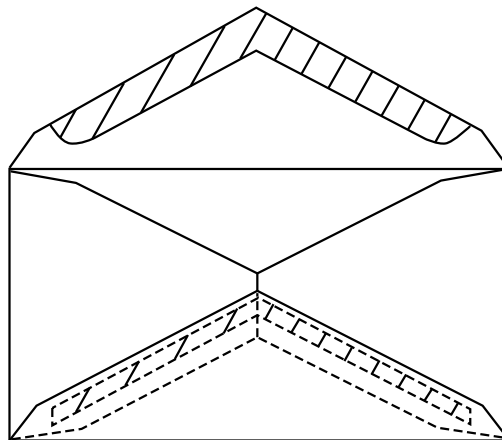
DRAWINGS—Envelopes

Envelopes

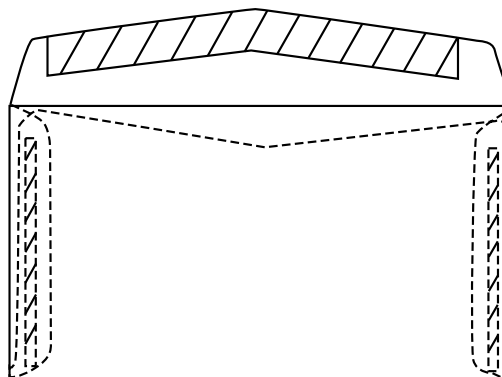
There are many construction styles for envelopes. The three most common styles of office envelopes used in Federal offices are shown below. Critical use information are included in each procurement contract. Generally these envelopes are suitable for insertion of correspondences either manually or by automated equipment; for letterpress and offset printing, processing in laser printers, and automated mailing sorting equipment. The printed matter may include text and line illustrations.



Style A: High cut diagonal seam open side envelopes.
The broken lines show style of cut on back of envelopes.



Style B: Web style diagonal seam envelopes.



Style C: Web style side seam envelopes.