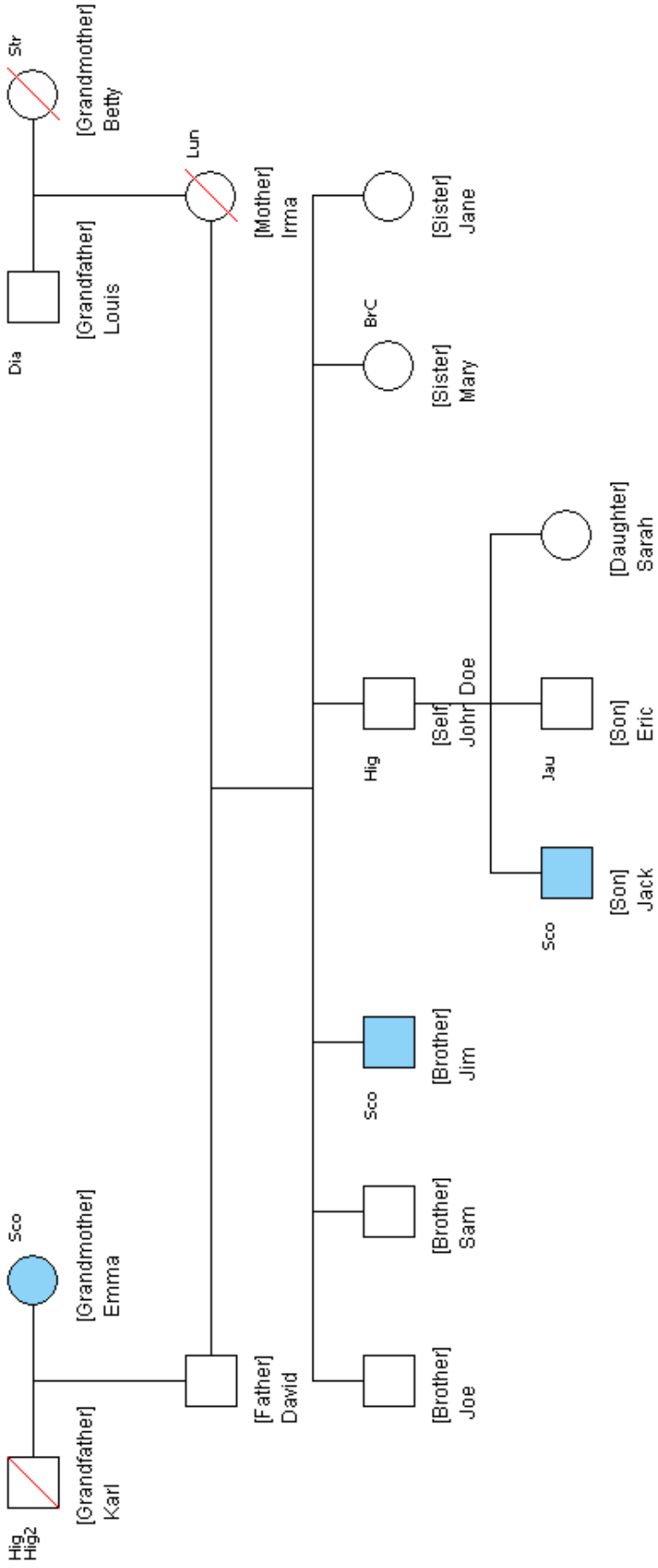


My Family Health Portrait - Drawing Report

John Doe - November 15, 2007

Highlighted disease: Scoliosis

- Male Family Member
 - Family Members with a History of Disease
 - Female Family Member
 - Deceased Family Member
 HD - Heart Disease Str - Stroke Dia - Diabetes
 Col - Colon Cancer BrC - Breast Cancer OvC - Ovarian Cancer



My Family Health Portrait - Chart Report

John Doe - November 15, 2007

*Use this in consultation with your healthcare professional.
It can be a valuable tool for discussion, risk assessment, and medical advice.*

My Stats: Age: 44 Height: 6' 2" Weight: 210 Body Mass Index: 26.9

	Still Living?	Heart Disease	Stroke	Diabetes	Colon Cancer	Breast Cancer	Ovarian Cancer	Scoliosis	Additional Diseases
John Doe [Me]	Yes	No	No	No	No	Don't know	N/A		High blood pressure [At age 40-49]
Irma [Mother]	No Lung Cancer at 70	Don't know	No	Don't know	Don't know	No	No	No	Lung cancer [60 and older]
Betty [Mother's Mother]	No Stroke at 90	No	Yes	No	No	No	Don't know	Don't know	
Louis [Mother's Father]	Yes	No	No	Yes, 60 and older	No	No	N/A	No	
David [Father]	Yes	No	No	No	No	No	N/A	No	
Emma [Father's Mother]	Yes	No	No	No	No	No	No	Yes, Age unknown	
Karl [Father's Father]	No old age at 95	Don't know	No	No	Don't know	No	N/A	No	High blood pressure [60 and older] High cholesterol [60 and older]
Sarah [Daughter]	Yes	No	No	No	No	No	No	Don't know	

Jack [Son]	Yes	No	No	No	No	No	N/A	Yes, In infancy
Eric [Son]	Yes	No	No	No	No	No	N/A	No Jaundice [In infancy]
Mary [Sister]	Yes	No		No	No	Yes, At age 40-49	No	No
Jane [Sister]	Yes	No	No	No	No	Don't know	Don't know	No
Joe [Brother]	Yes	No	No	No	No	No	N/A	No
Sam [Brother]	Yes	No	No	No	No	No	N/A	No
Jim [Brother]	Yes	No	No	Don't know	No	No	N/A	Yes, Before age 20