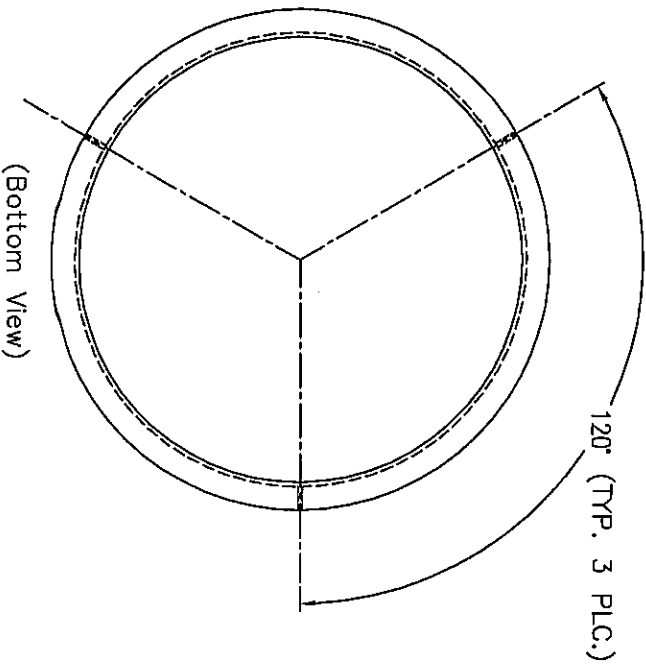


TOLERANCE FOR ALL DIMENSIONS = +/- 0.25 INCH



50" CHAMBER TO BE USED WITH 42" CEILING FANS ONLY.

NOTES: GENERAL

- 1) MATERIAL: 0.125" ALUMINUM - T6 #6061.
- 2) MATERIAL THICKNESS (BOTTOM VIEW) EXAGGERATED IN DRAWING FOR CLARITY.
- 3) REFERENCE #SK6-2150 FOR ASSEMBLED B.O.M.
- 4) ALL DIM TO BE INCHES UNLESS NOTED. DIM TEXT = AS NOTED.



HUNTER FAN COMPANY
2500 FRISCO AVE., MEMPHIS, TENN. 38114

THIS DOCUMENT AND THE INFORMATION IT DISCLOSES IS THE EXCLUSIVE PROPERTY OF HUNTER FAN COMPANY. ANY REPRODUCTION OR USE OF THIS DRAWING, IN PART OR IN WHOLE, WITHOUT THE EXPRESS CONSENT OF THE PROPRIETOR ARE PROHIBITED.

TOLERANCES: (UNLESS OTHERWISE SPECIFIED)

DECIMAL:

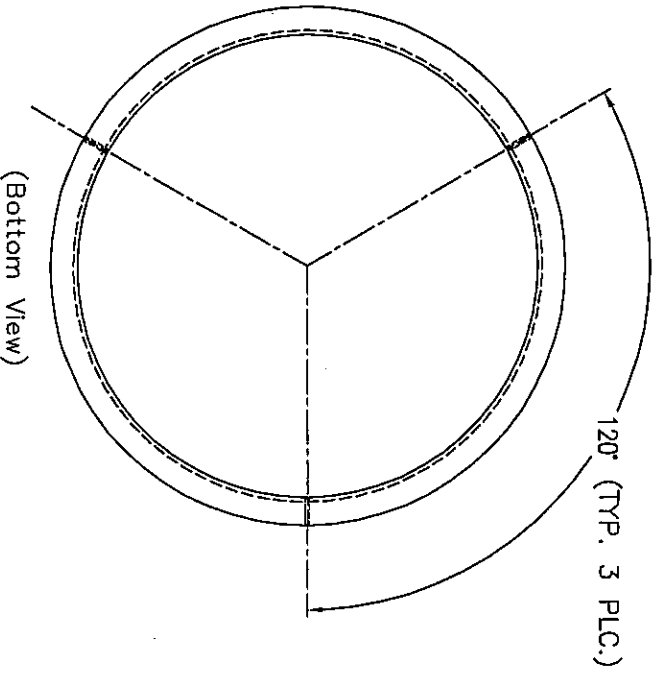
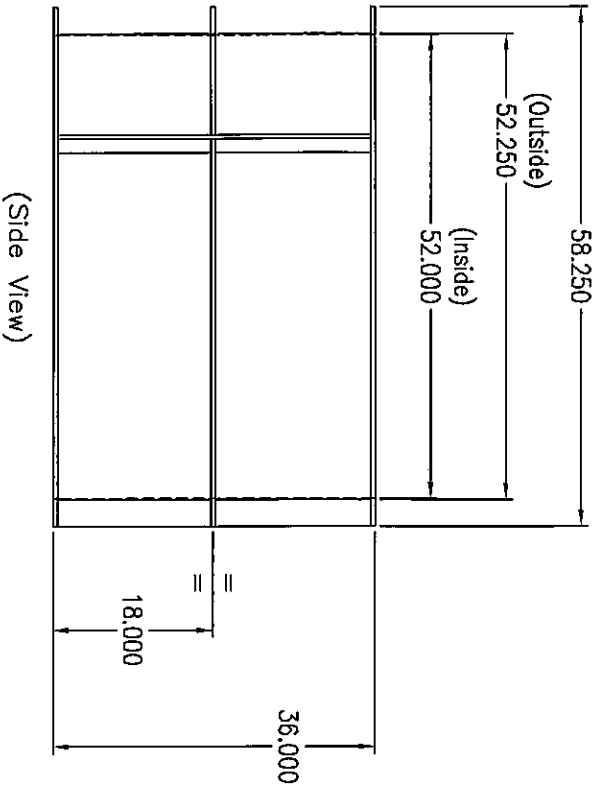
.XX = ±.01

.XXX = ±.005

FRACTIONAL: ± 1/16

ANGULAR: ± .5°

DATE:	02-14-00	DRAWN BY:	RCPenton
SCALE:	1=20	CHECKED BY:	MBrown
FIRST USE:	SK6-2150	ENG. APP'L.:	MBrown
REFERENCE:	SK6-2151	COPY DATE:	
PART NAME:	50" CFM Chamber Ref.	PART NO.:	SK6-2151



TOLERANCE FOR ALL DIMENSIONS = +/- 0.25 INCH

52" CHAMBER TO BE USED WITH 44" CEILING FANS ONLY.

NOTES: GENERAL

- 1) MATERIAL: 0.125" ALUMINUM - T6 #6061.
- 2) MATERIAL THICKNESS (BOTTOM VIEW) EXAGGERATED IN DRAWING FOR CLARITY.
- 3) REFERENCE #SK6-2141 FOR ASSEMBLED B.O.M.
- 4) ALL DIM TO BE INCHES UNLESS NOTED. DIM TEXT = AS NOTED.



HUNTER FAN COMPANY
2600 FRISCO AVE., MEMPHIS, TENN. 38114

THIS DOCUMENT AND THE INFORMATION IT DISCLOSES IS THE EXCLUSIVE PROPERTY OF HUNTER FAN COMPANY. ANY REPRODUCTION OR USE OF THIS DRAWING, IN PART OR IN WHOLE, WITHOUT THE EXPRESS CONSENT OF THE PROPRIETOR ARE PROHIBITED.

TOLERANCES: (UNLESS OTHERWISE SPECIFIED)
DECIMAL:

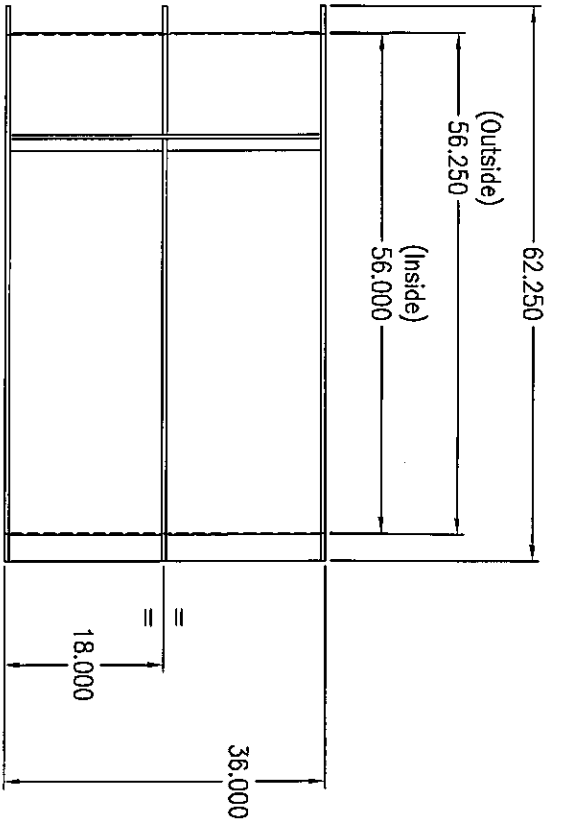
.XX = ± .01

.XXX = ± .005

FRACTIONAL: ± 1/16

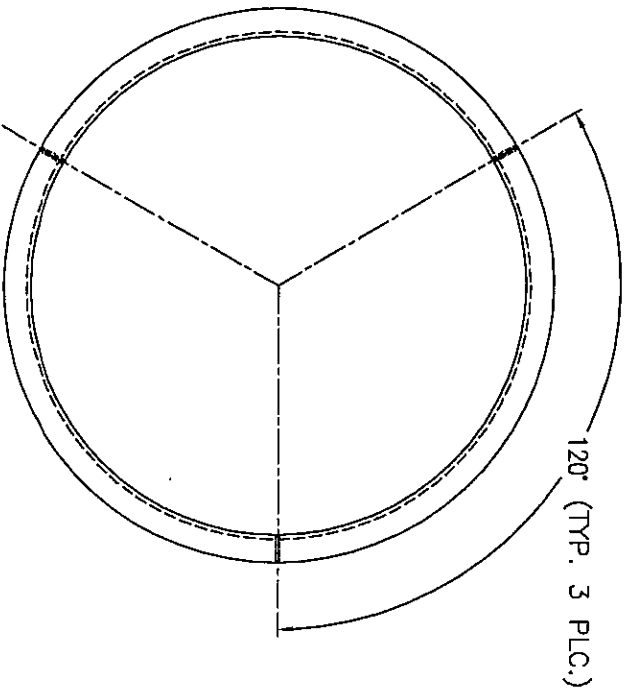
ANGULAR: ± .5°

DATE:	02-14-00	DRAWN BY:	RCPenton
SCALE:	1=20	CHECKED BY:	MBrown
FIRST USE:	SK6-2141	ENG. APP'AL:	MBrown
REFERENCE:	SK6-2142	COPY DATE:	
PART NAME:	52" CFM Chamber Ref.	PART NO.:	SK6-2142



(Side View)

TOLERANCE FOR ALL DIMENSIONS = +/- 0.25 INCH



56" CHAMBER TO BE USED WITH 48" CEILING FANS ONLY.

NOTES: GENERAL

- 1) MATERIAL: 0.125" ALUMINUM - T6 #8061.
- 2) MATERIAL THICKNESS (BOTTOM VIEW) EXAGGERATED IN DRAWING FOR CLARITY.
- 3) REFERENCE #SK6-2132 FOR ASSEMBLED B.O.M.
- 4) ALL DIM TO BE INCHES UNLESS NOTED. DIM TEXT = AS NOTED.



HUNTER FAN COMPANY
2500 RISCO AVE., MEMPHIS, TENN. 38114

THIS DOCUMENT AND THE INFORMATION IT DISCLOSES IS THE EXCLUSIVE PROPERTY OF HUNTER FAN COMPANY. ANY REPRODUCTION OR USE OF THIS DRAWING, IN PART OR IN WHOLE, WITHOUT THE EXPRESS CONSENT OF THE PROPRIETOR ARE PROHIBITED.

TOLERANCES: (UNLESS OTHERWISE SPECIFIED)
DECIMAL:

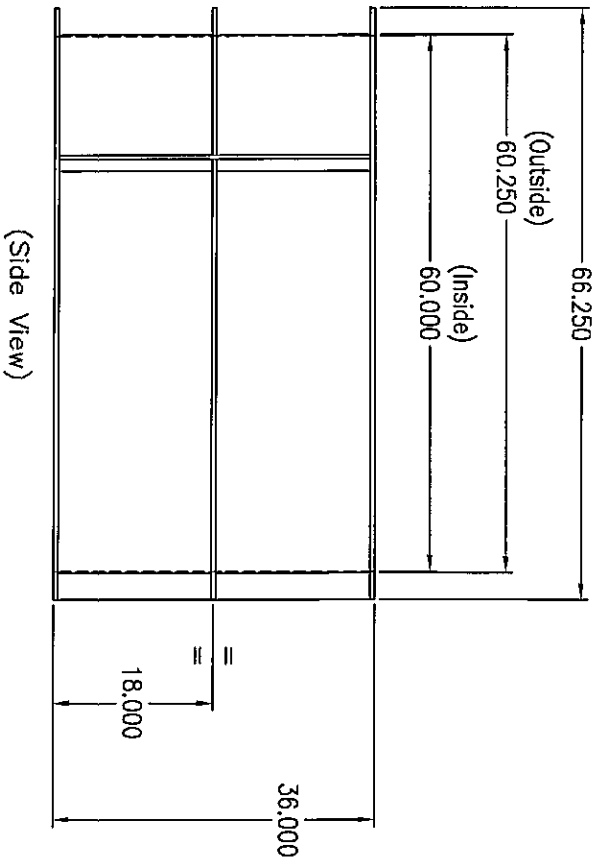
xx = ± .01

xxx = ± .005

FRACTIONAL: ± 1/16

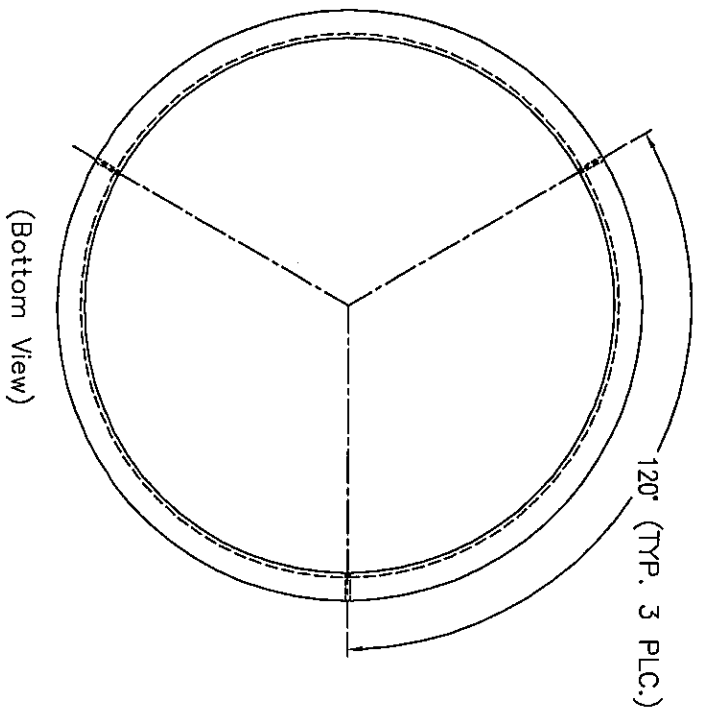
ANGULAR: ± .5°

DATE:	02-14-00	DRAWN BY:	RG Penton
SCALE:	1=20	CHECKED BY:	MBrown
FIRST USE:	SK6-2132	ENG. APPL.:	MBrown
REFERENCE:	SK6-2133	COPY DATE:	
PART NAME:	56" CFM Chamber Ref.	PART NO.:	SK6-2133



(Side View)

TOLERANCE FOR ALL DIMENSIONS = +/- 0.25 INCH



(Bottom View)

60" CHAMBER TO BE USED WITH 52" CEILING FANS ONLY.

NOTES: GENERAL

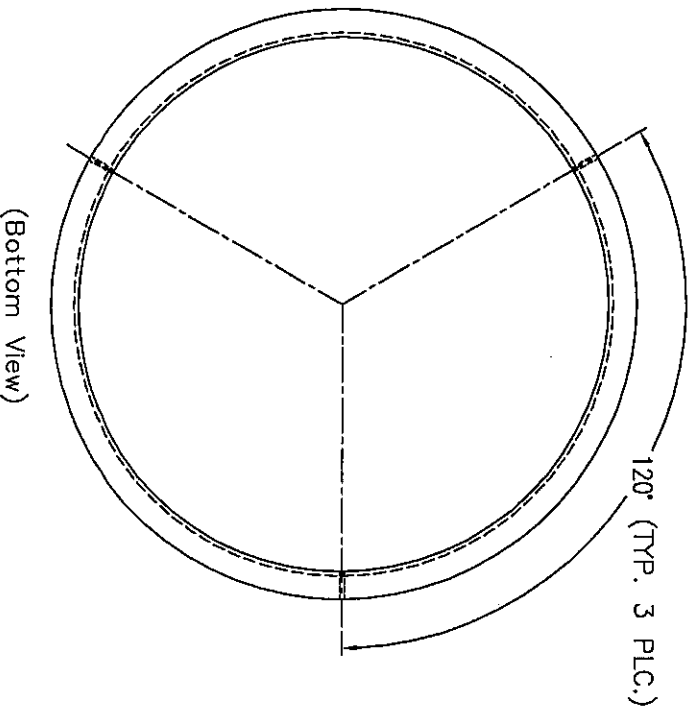
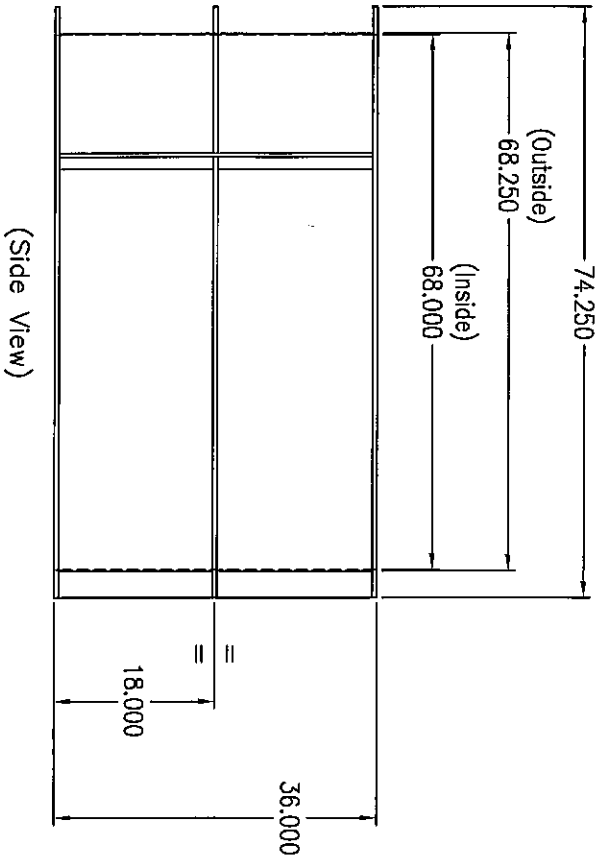
- 1) MATERIAL: 0.125" ALUMINUM - T6 #8061.
- 2) MATERIAL THICKNESS (BOTTOM VIEW) EXAGGERATED FOR CLARITY.
- 3) REFERENCE #SK6-2123 FOR ASSEMBLED B.O.M.
- 4) ALL DIM TO BE INCHES UNLESS NOTED. DIM TEXT = AS NOTED.



HUNTER FAN COMPANY
 2500 FRISCO AVE., MEMPHIS, TENN. 38114

THIS DOCUMENT AND THE INFORMATION IT DISCLOSES IS THE EXCLUSIVE PROPERTY OF HUNTER FAN COMPANY. ANY REPRODUCTION OR USE OF THIS DRAWING, IN PART OR IN WHOLE, WITHOUT THE EXPRESS CONSENT OF THE PROPRIETOR ARE PROHIBITED.

TOLERANCES: (UNLESS OTHERWISE SPECIFIED)		DATE: 02-14-00		DRAWN BY: RGPenton	
DECIMAL: .01		SCALE: 1=20		CHECKED BY: MBrown	
XXX = ±.005		FIRST USE: SK6-2123		ENG. APPAL: MBrown	
FRACTIONAL: ± 1/16		REFERENCE: SK6-2124		COPY DATE:	
ANGULAR: ±.5°		PART NAME: 60" CFM Chamber Ref.		PART NO: SK6-2124	



TOLERANCE FOR ALL DIMENSIONS = +/- .025 INCH

68" CHAMBER TO BE USED WITH 60" CEILING FANS ONLY.

NOTES: GENERAL

- 1) MATERIAL: 0.125" ALUMINUM - T6 #8061.
- 2) MATERIAL THICKNESS (BOTTOM VIEW) EXAGGERATED FOR CLARITY.
- 3) REFERENCE #SK6-2159 FOR ASSEMBLED B.O.M.
- 4) ALL DIM TO BE INCHES UNLESS NOTED, DIM TEXT = AS NOTED.



HUNTER FAN COMPANY
2500 FRISCO AVE., MEMPHIS, TENN. 38114

THIS DOCUMENT AND THE INFORMATION IT DISCLOSES IS THE EXCLUSIVE PROPERTY OF HUNTER FAN COMPANY. ANY REPRODUCTION OR USE OF THIS DRAWING, IN PART OR IN WHOLE, WITHOUT THE EXPRESS CONSENT OF THE PROPRIETOR ARE PROHIBITED.

TOLERANCES: (UNLESS OTHERWISE SPECIFIED)

DECIMAL

xx = ± .01

.xxx = ± .005

FRACTIONAL: ± 1/16

ANGULAR: ± .5°

DATE:	09-19-01	DRAWN BY:	RGPenton
SCALE:	N.T.S.	CHECKED BY:	VMehnta
FIRST USE:	SK6-2159	ENG. APPVL:	VMehnta
REFERENCE:	SK6-2160	CONF. DATE:	
PART NAME:	68" CFM Chamber Ref.	PART NO.:	SK6-2160