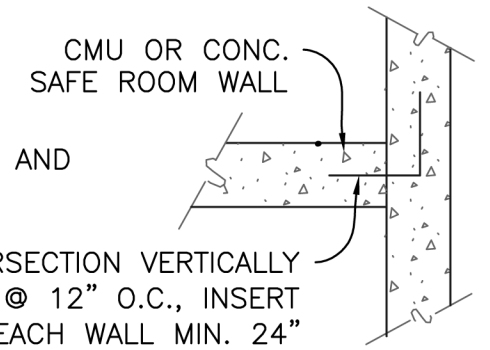
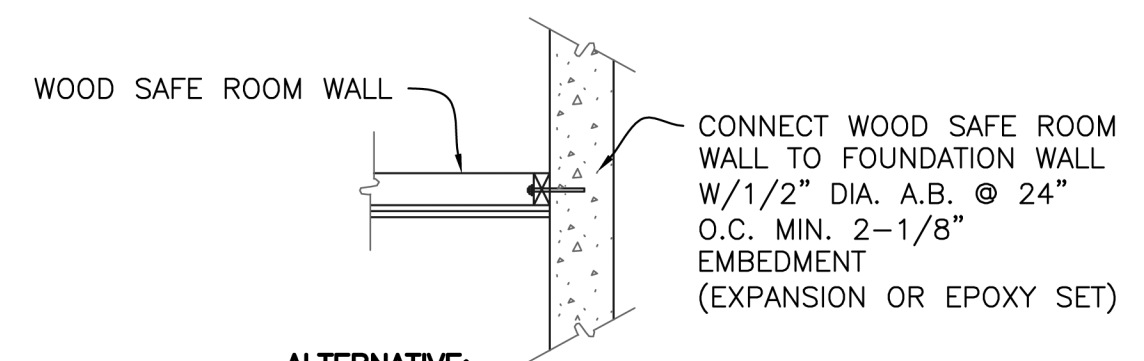


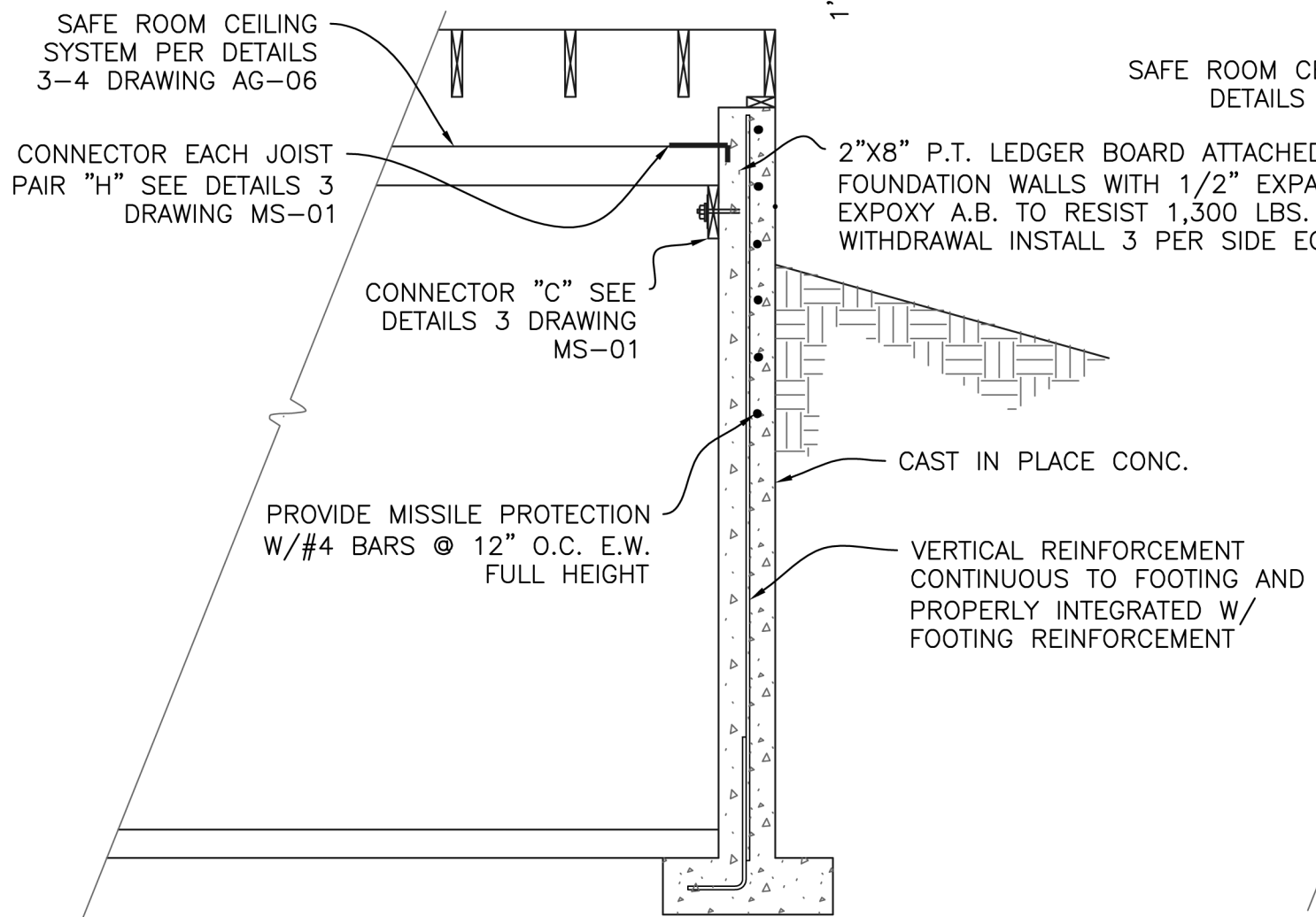
1 CORNER SAFE ROOM PARTIAL PLAN
 B-02 SCALE: 1/2"=1'-0" 0 6" 1' 2'



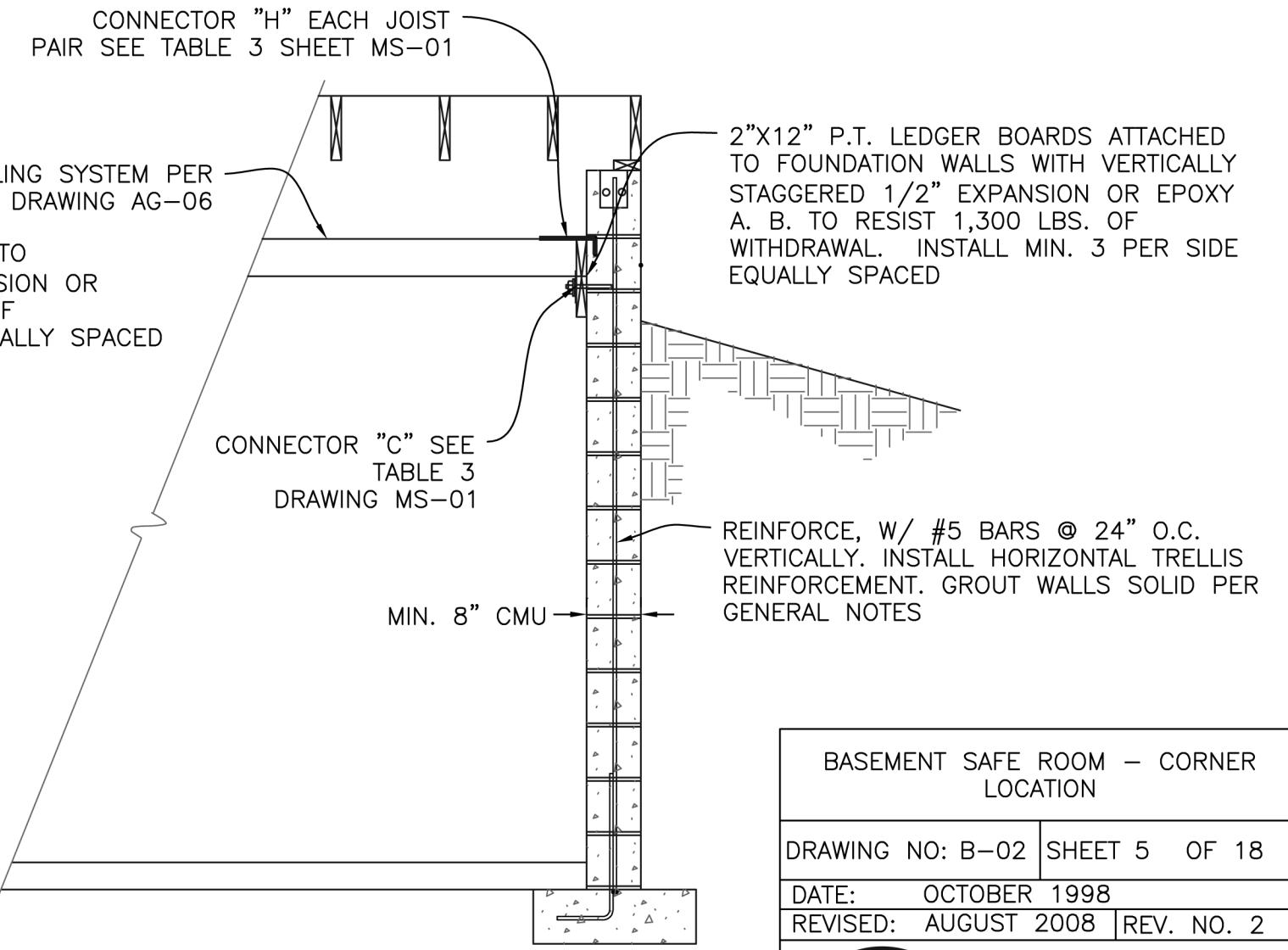
4 ALTERNATIVE: CMU SAFE ROOM TO FOUNDATION WALL DETAIL
 B-02 SCALE: 1/2"=1'-0" 0 6" 1' 2'



4A ALTERNATIVE: WOOD SAFE ROOM TO FOUNDATION WALL DETAIL
 B-02 SCALE: 1/2"=1'-0" 0 6" 1' 2'



2 ALTERNATIVE: CAST-IN-PLACE CONCRETE FOUNDATION ELEVATION
 B-02 SCALE: 1/2"=1'-0" 0 6" 1' 2'



3 ALTERNATIVE: CMU FOUNDATION ELEVATION
 B-02 SCALE: 1/2"=1'-0" 0 6" 1' 2'

BASEMENT SAFE ROOM - CORNER LOCATION	
DRAWING NO: B-02	SHEET 5 OF 18
DATE: OCTOBER 1998	
REVISED: AUGUST 2008	REV. NO. 2



FEMA