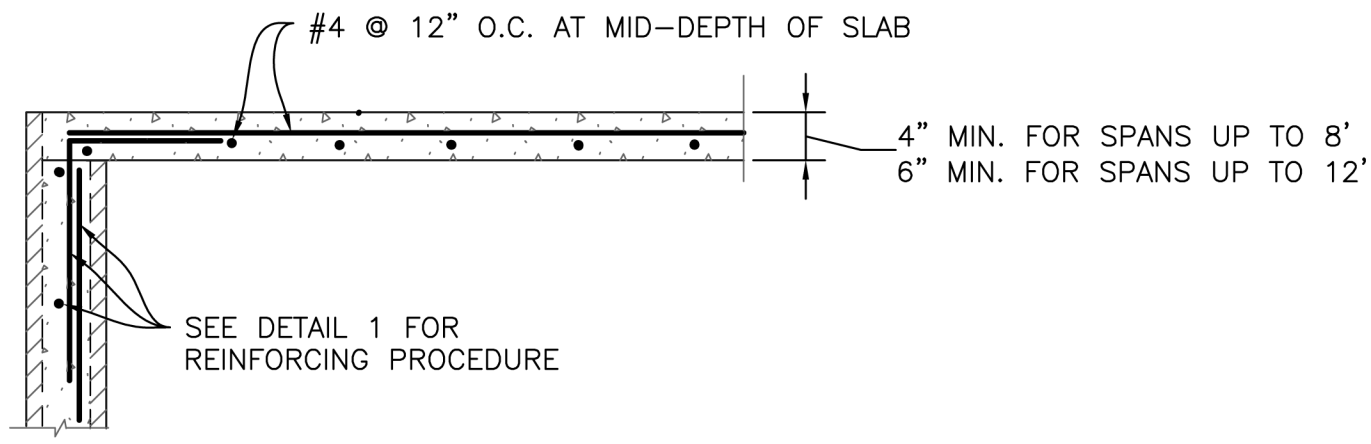
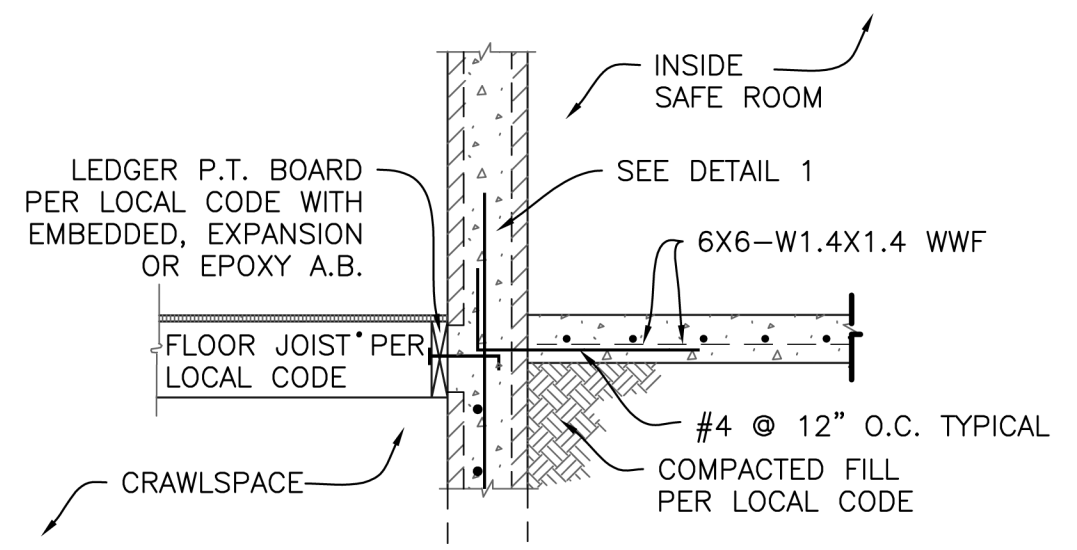


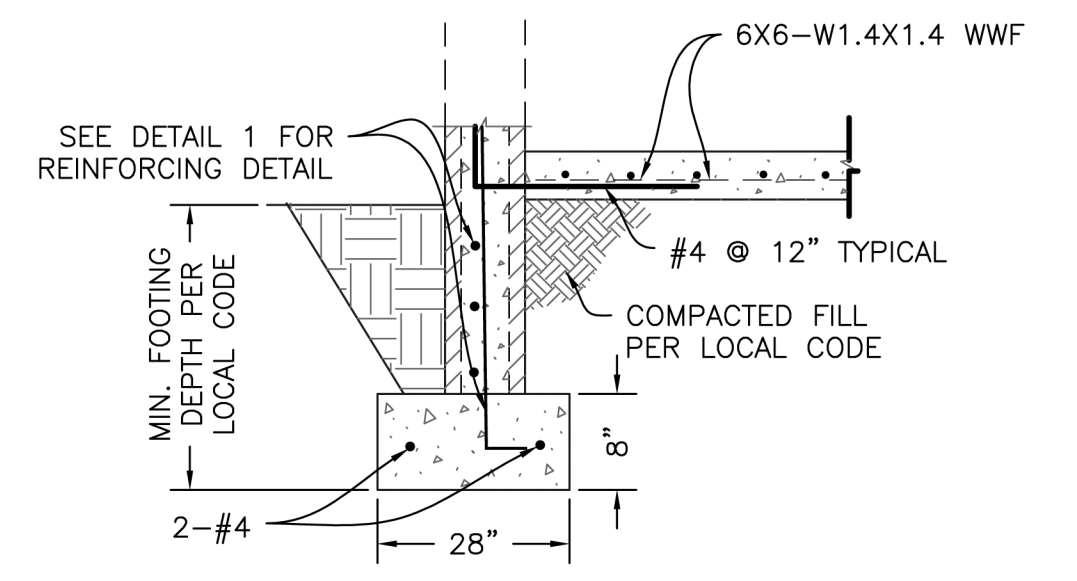
**1 INTERIOR WALL DETAIL**  
AG-09 SCALE: 1/2"=1'-0"



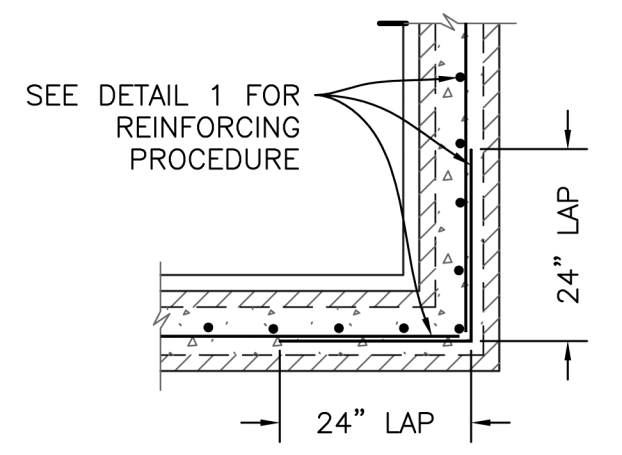
**3 ALTERNATIVE ROOF DETAIL**  
AG-09 SCALE: 1/2"=1'-0"



**FLOOR CONNECTION DETAIL - CRAWLSPACE FOUNDATION**



**2 FOOTING DETAIL - EXTERIOR WALLS**  
AG-09 SCALE: 1/2"=1'-0"



**4 TYPICAL CORNER DETAIL**  
AG-09 SCALE: 1/2"=1'-0"

INSULATING CONCRETE FORM SECTIONS	
DRAWING NO: AG-09	SHEET 14 OF 18
DATE: AUGUST 1999	
REVISED: AUGUST 2008	REV. NO. 2

