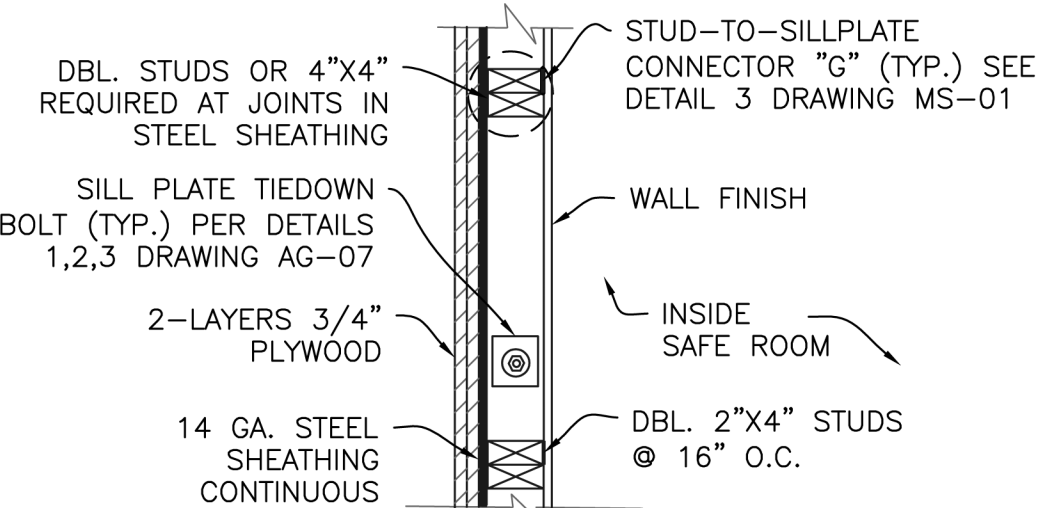
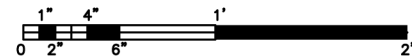
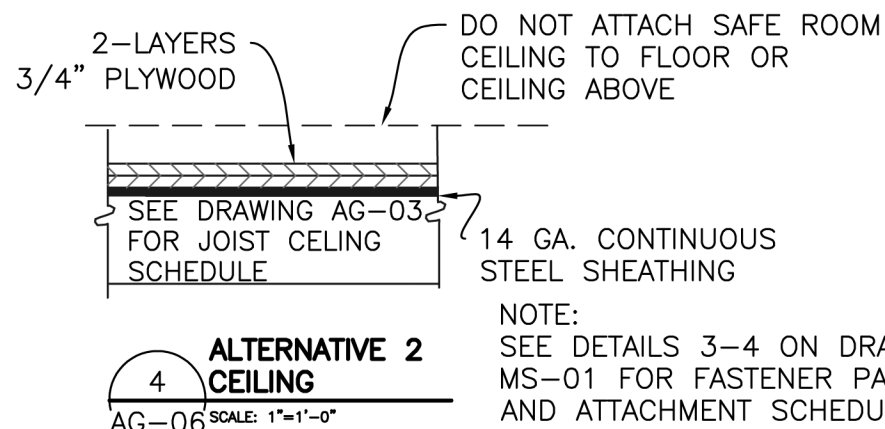
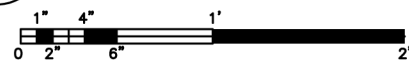


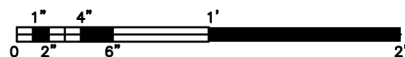
3 ALTERNATIVE 1 CEILING PARTIAL-CEILING SECTION CONNECTION
AG-06 SCALE: 1"=1'-0"



2 WALL SECTION (TOP VIEW)
AG-06 SCALE: 1"=1'-0"

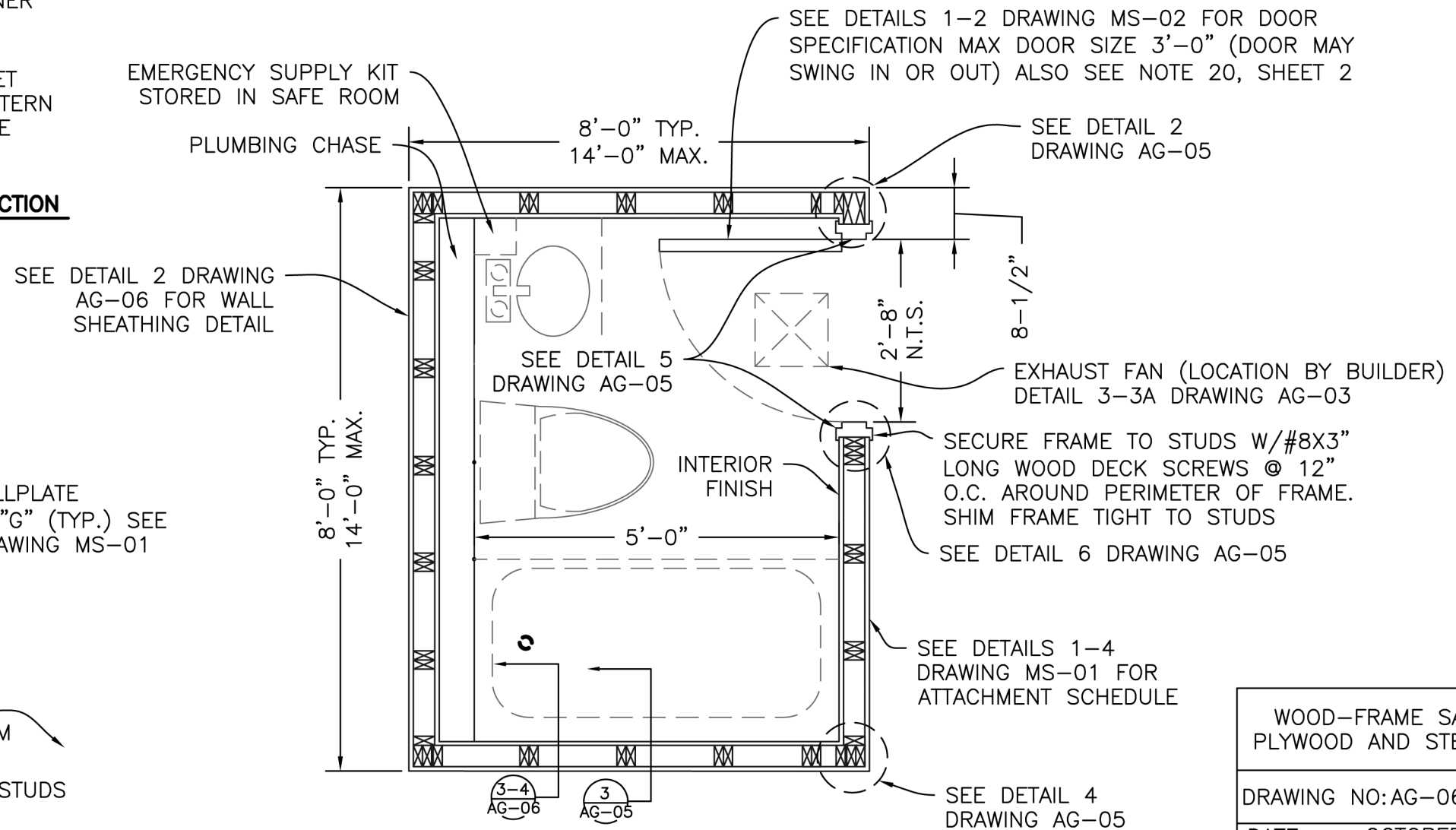


4 ALTERNATIVE 2 CEILING
AG-06 SCALE: 1"=1'-0"

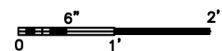


NOTES:

- SAFE ROOM W/ STEEL SHEATHING COVERED W/ GYP. BOARD FINISH OR OTHERWISE SEPARATED FROM CONTACT BY SAFE ROOM OCCUPANTS NEED NOT BE GROUNDED.
- SAFE ROOM W/ STEEL SHEATHING UNCOVERED AND AVAILABLE FOR CONTACT BY SAFE ROOM OCCUPANTS MUST BE GROUNDED AT A SINGLE LOCATION W/COPPER WIRE & GROUND ROD TO MEET NATIONAL ELECTRIC CODE & LOCAL REQUIREMENTS.
- ALL WALL STUDS TO BE ATTACHED W/ (2) 16d NAILS TO SINGLE TOP AND BOTTOM PLATES, NAILED THROUGH FROM TOP AND BOTTOM, PRIOR TO ATTACHMENT OF SECOND TOP AND BOTTOM PLATES.
- WALL SHEATHING ORIENTATION TO VARY 90° BY LAYER.



1 TYPICAL PLAN VIEW
AG-06 SCALE: 1"=1'-0"



WOOD-FRAME SAFE ROOM PLAN - PLYWOOD AND STEEL WALL SHEATHING	
DRAWING NO: AG-06	SHEET 11 OF 18
DATE: OCTOBER 1998	
REVISED: AUGUST 2008	REV. NO. 2



FEMA