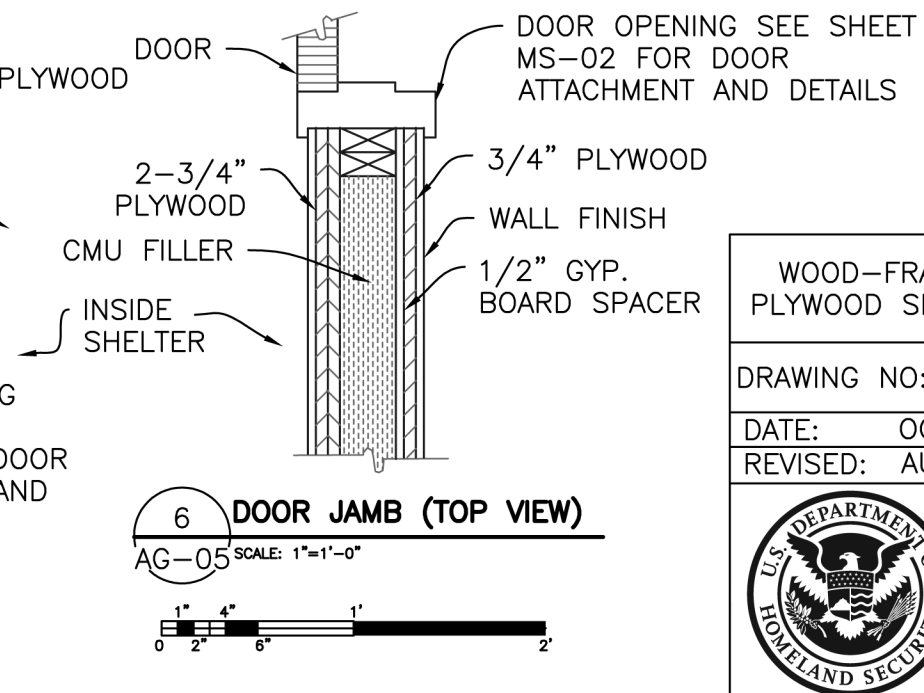
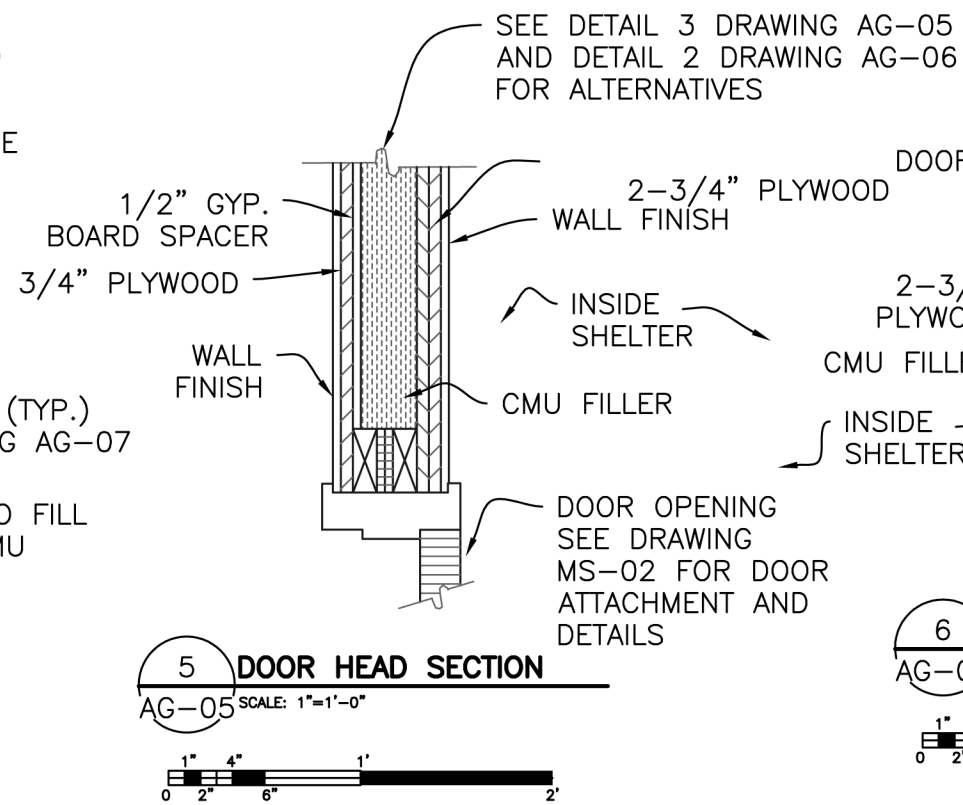
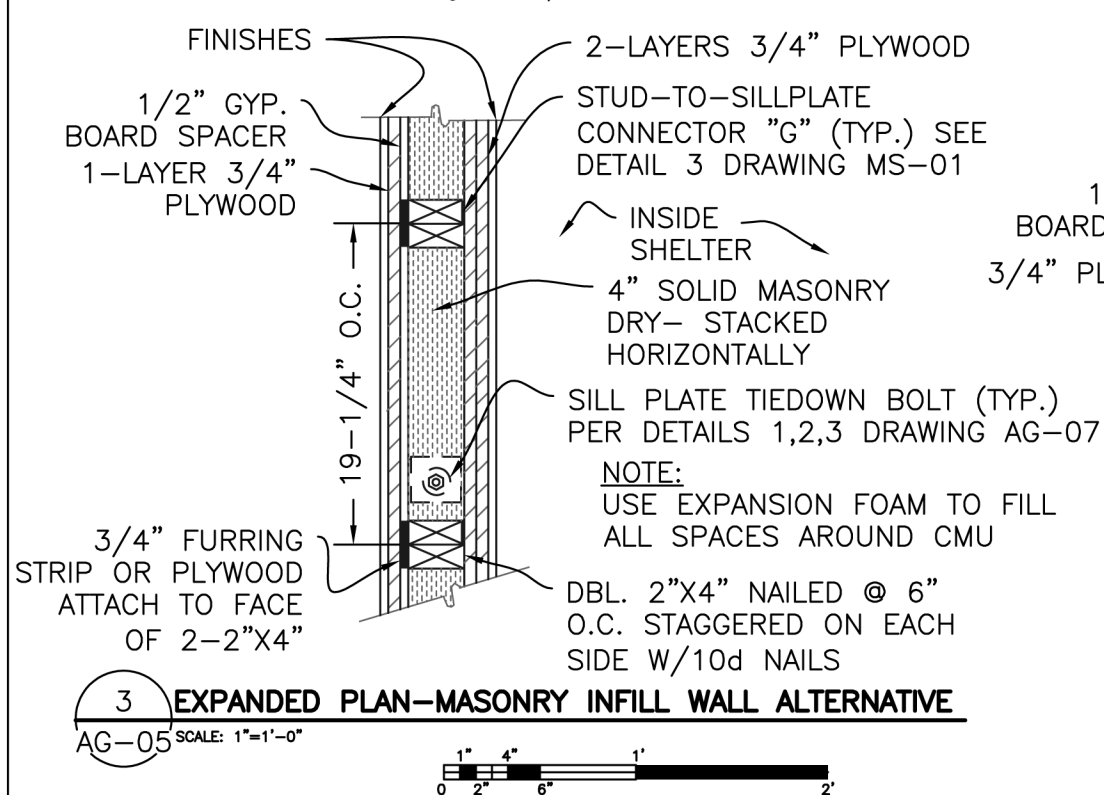



NOTE:
ALL WALL STUDS SHOULD BE ATTACHED W/ 2-16d NAILS TO SINGLE TOP AND BOTTOM PLATES, NAILED THROUGH FROM OUTSIDE, PRIOR TO ATTACHMENT OF SECOND TOP AND BOTTOM PLATES.



WOOD-FRAME SAFE ROOM PLAN - PLYWOOD SHEATHING WITH CMU INFILL	
DRAWING NO: AG-05	SHEET 10 OF 18
DATE: OCTOBER 1998	
REVISED: AUGUST 2008	REV. NO. 2



FEMA