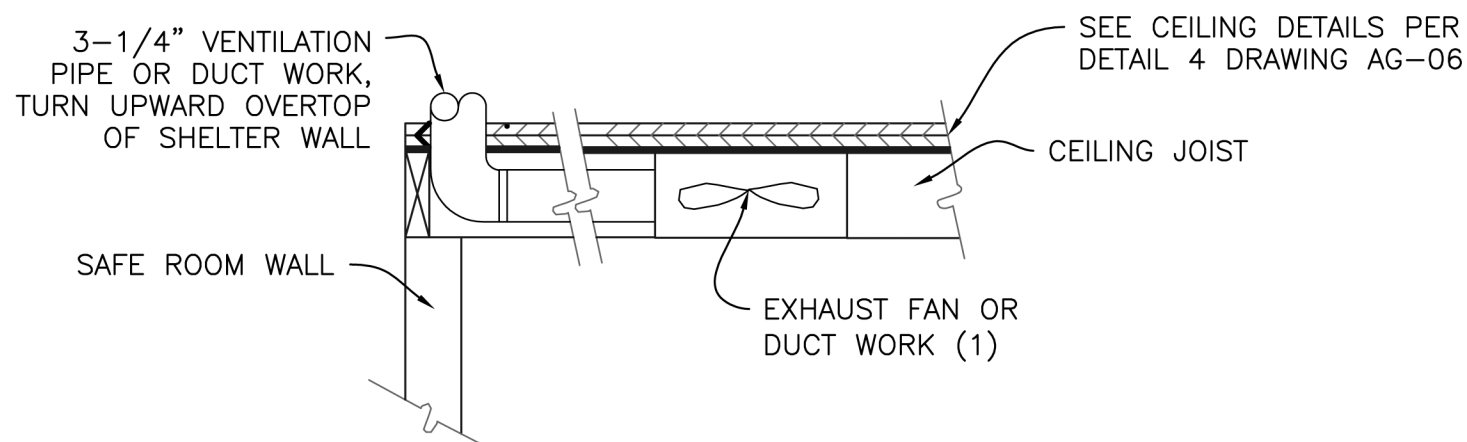
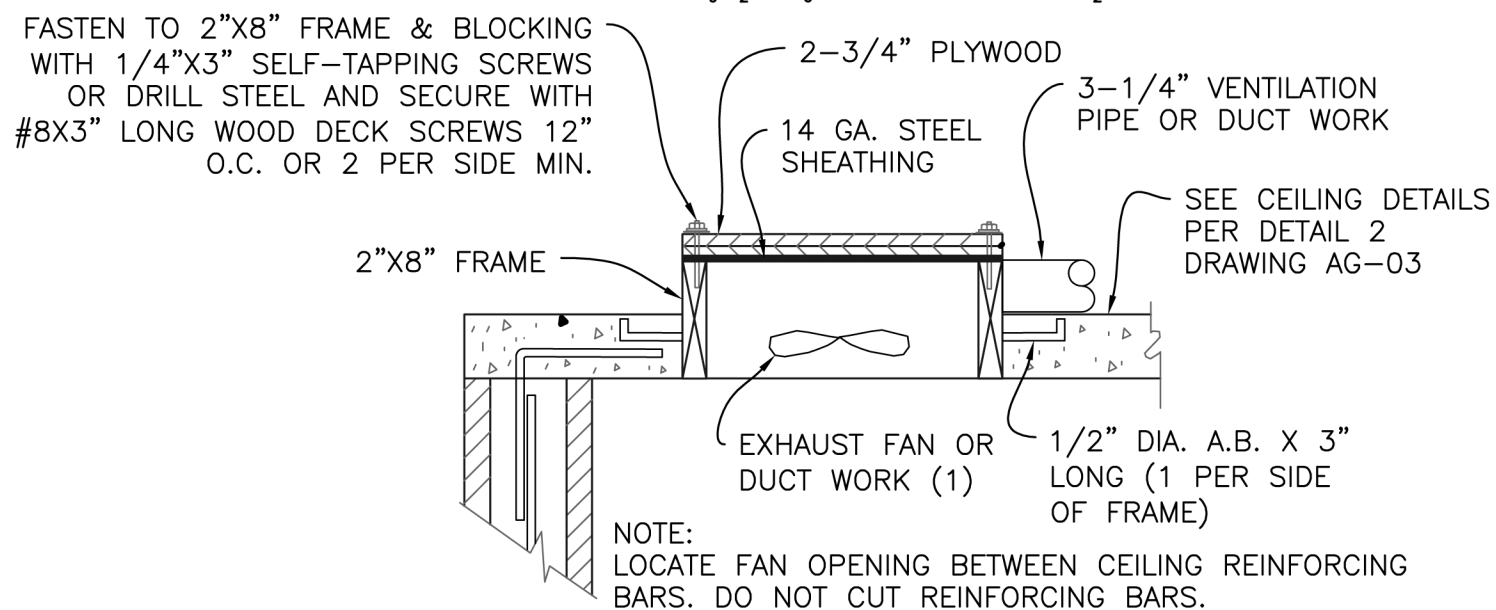


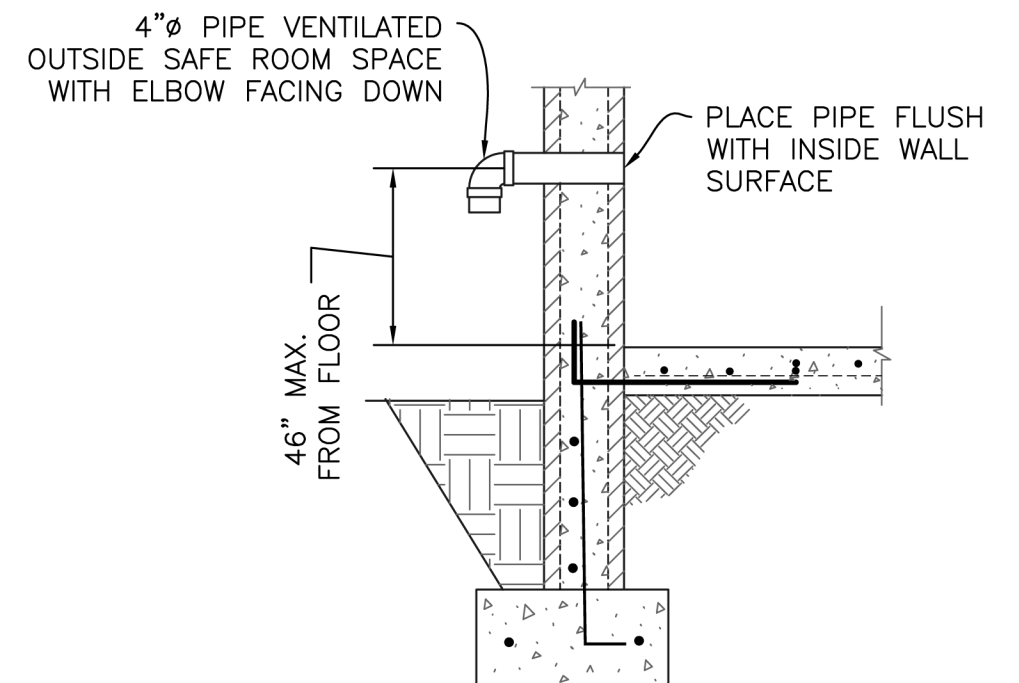
1 CEILING EXHAUST FAN / HVAC DETAIL
AG-04 SCALE: 1"=1'-0"



1A CEILING EXHAUST FAN / HVAC DETAIL
AG-04 SCALE: 1"=1'-0"



1B CEILING EXHAUST FAN / HVAC DETAIL
AG-04 SCALE: 1"=1'-0"



2 PASSIVE VENTILATION DETAIL
EXTERIOR SAFE ROOM WALL TYPICAL
AG-04 SCALE: 1/2"=1'-0"

NOTE:

1. INDICATES NORMAL EXHAUST VENTILATION OF BATHROOM OR HVAC DUCTWORK TO A ROOM. THE SAFE ROOM DESIGN DOES NOT RELY ON THIS VENTILATION TO ENSURE OCCUPANT SAFETY.
2. POWERED EXHAUST FANS ARE ONLY REQUIRED FOR SAFE ROOMS AS BATHROOMS.
3. IF ALTERNATE VENTILATION APPARATUS ARE USED ON THE SAFEROOM, THE DUCTING OF THE VENTILATION MUST BE HARDENED TO PREVENT THE PASSAGE OF WINDBORNE DEBRIS INTO THE SAFEROOM

CMU - CONCRETE SECTIONS CEILING ALTERNATIVES

DRAWING NO: AG-04 SHEET 9 OF 18

DATE: OCTOBER 1998

REVISED: AUGUST 2008 REV. NO. 2



FEMA