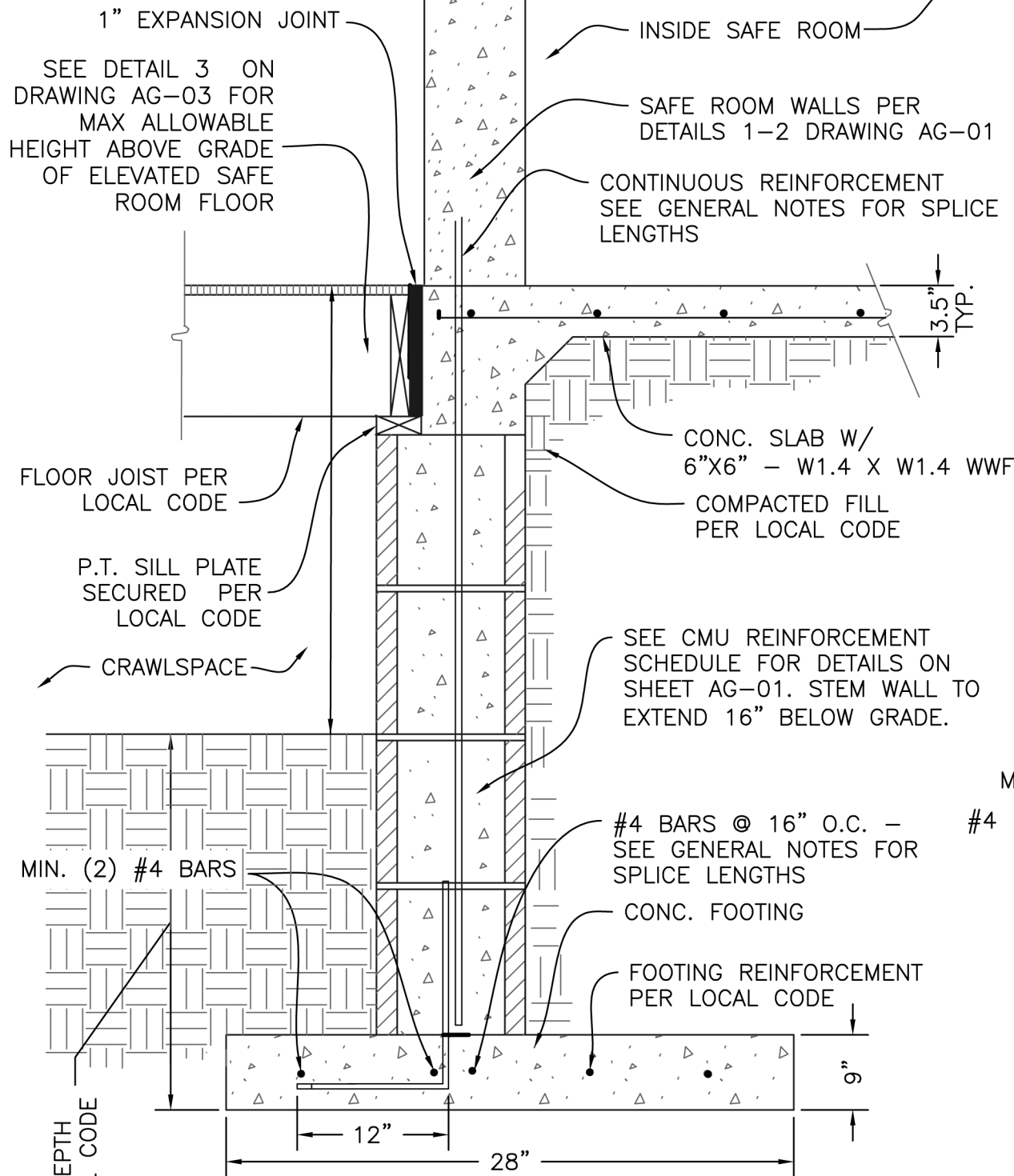
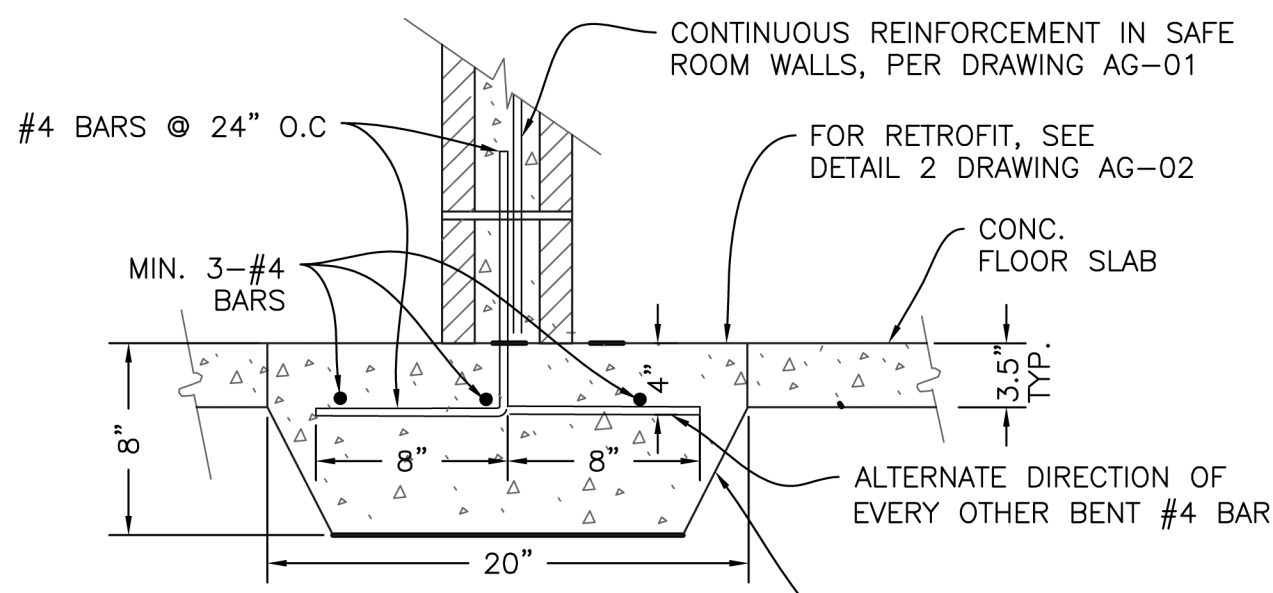
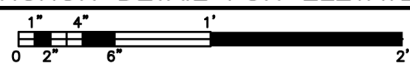


NOTE:  
FOR MAX. ELEVATIONS FOR  
SAFE ROOMS, SEE DETAIL 3  
DRAWING AG-03

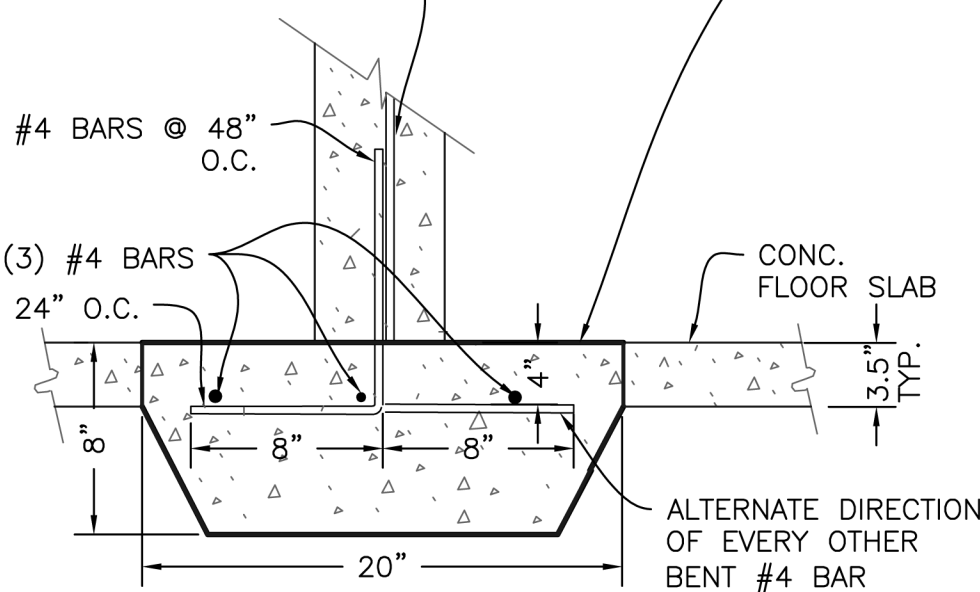


3 **TYPICAL ANCHOR DETAIL FOR ELEVATED SAFE ROOM WITH CMU STEM WALL**  
AG-02 SCALE: 1"=1'-0"



1 **TYPICAL ANCHOR DETAIL FOR CMU WALL ON SLAB-ON-GRADE FOUNDATION**  
AG-02 SCALE: N.T.S.

CONTINUOUS REINFORCEMENT  
IN SAFE ROOM WALLS, PER  
DETAIL 2 DRAWING AG-01



2 **TYPICAL ANCHOR DETAIL FOR CONCRETE WALL ON SLAB-ON-GRADE FOUNDATION**  
AG-02 SCALE: N.T.S.

WHEN PERMITTED BY CODE, A RETROFIT SAFE ROOM MAY BE ANCHORED TO AN EXISTING SLAB IF EXISTING SLAB IS FOUND TO HAVE ADEQUATE THICKNESS AND REINFORCING AT EACH CORNER AND EACH SIDE OF DOORWAYS MIN. AND AT A MINIMUM #4 BARS MUST BE DOWELLED AND EPOXY SET INTO THE SLAB SUCH THAT THEY PROVIDE 1,000 lbs TENSILE AND 800 lbs SHEAR CAPACITY.

NOTE:  
THE OVERALL HEIGHT OF THE SAFE ROOM CANNOT EXCEED THE SHORTEST PLAN DIMENSION BY 10%. (I.E. IF THE SHELTER MEASURES 8'x6' IN PLAN DIMENSION, THE MAXIMUM OVERALL HEIGHT OF THE SHELTER IS 6'-7").

CMU - CONCRETE WALL SECTIONS	
DRAWING NO: AG-02	SHEET 7 OF 18
DATE: OCTOBER 1998	
REVISED: AUGUST 2008	REV. NO. 2



**FEMA**