

---

## ANNEX 9

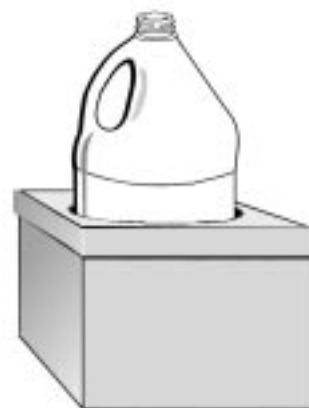
# Making Supplies: Sharps Container, Incinerator, and Boot Remover

### ***Making a Sharps Container:***

If a puncture-resistant container is not available for collecting used disposable needles, syringes and other sharp instruments that have penetrated the patient's skin, make a container using these instructions.

#### Materials:

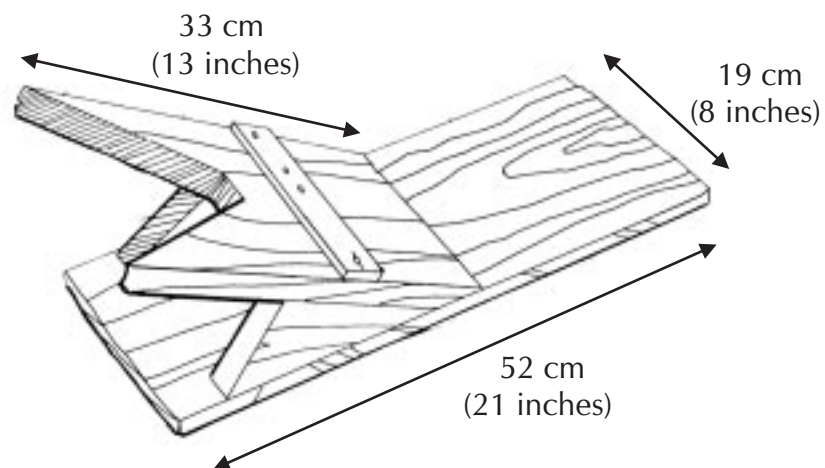
- Plastic bottle or container made from burnable material (empty plastic water bottles, for example)
  - Cardboard box to serve as a stand for holding the plastic bottle
  - Plastic tape.
1. Gather several plastic bottles and boxes made from cardboard or other sturdy, burnable material.
  2. Tape the sides and lid of the cardboard box together so the top side is closed.
  3. Draw a circle on the top of the box that is the same diameter as the plastic bottle.
  4. Cut out the circle and leave a hole in the top of the box.
  5. Place the bottle inside the hole. Fill the bottle 1/3 full with 1:10 bleach solution.
  6. Place the bottle with its stand in the patient's room or where disposable skin-piercing equipment is used.
  7. At the end of the day, when disposable waste is collected, carry the bottle and its stand to the site for burning infectious waste. Place the bottle and box in the pit for burning.



*An adapted sharps container*

**Making an incinerator:** See Annex 10.

**Making a boot remover:**



Please bring this picture to the local carpenter.