



REGISTRATION NUMBER

DVH 0054

DATE OF REGISTRATION/PUBLICATION

Apr. 19, 2001

Month Day Year

DO NOT WRITE ABOVE THIS LINE. IF YOU NEED MORE SPACE, USE A SEPARATE CONTINUATION SHEET. (Form D-VH/CON)

**1** Please give the make and model of the vessel that embodies the design.  
SEA RAY 410 EXPRESS CRUISER/SPORT YACHT

TITLE

**2 (a)** What is the type or style of the design for which registration is sought?  
FIBERGLASS MONOHULL AND DECK

**DESIGN (b)** Provide a brief general statement setting forth the salient features of the design.  
HULL SHAPE, DECK AND COCKPIT DESIGNS; INCLUDING, OPERATOR'S STATION,  
SEATING ARRANGEMENTS, CONSOLE DESIGN, AND CABIN FEATURES.

Check here if this is a single design.

Check here if registering more than one design. Use Form D-VH/CON for additional designs.

**(c)** If this design is derived from an earlier design, describe how that design has been revised, adapted, or rearranged.  
NEW MODEL, IMPROVED AND REVISED FEATURES, ADDED DESIGNS, UNIQUE STYLING.

**3** Provide the name and address of the designer(s). The name of the employer may be given instead of the designer(s) if, (1) the design was made within the regular scope of employment of the designer(s) and (2) the individual authorship of the design is difficult or impossible to ascribe.

DESIGNER(S)

Please check here if those conditions are satisfied and you are providing the employer's name.

SEA RAY BOATS

Name: A DIVISION OF BRUNSWICK CORPORATION Name: \_\_\_\_\_

Address: 2600 SEA RAY BOULEVARD Address: \_\_\_\_\_  
KNOXVILLE, TN 37914

**4** If the owner is different from the designer(s) or employer named above, provide the name and address of the owner:

OWNER, IF NOT DESIGNER(S)

Name: N/A

Address: \_\_\_\_\_

**5 (a)** Was an application for registration of this design identified in an application filed in a foreign country that extends to designs of owners who are citizens of the United States, or to persons filing applications in the United States, similar protection to that afforded in 17 U.S.C. chapter 13?  
 Yes  No

PRIORITY CLAIM

**(b)** If yes, identify the country and date of application:  
Country: \_\_\_\_\_

Date of application: \_\_\_\_\_

Serial No: \_\_\_\_\_

**6** Was this design made public before the date of application?  Yes  No

DATE MADE PUBLIC

If yes, on what date? APRIL 2, 1999  
Month Day Year

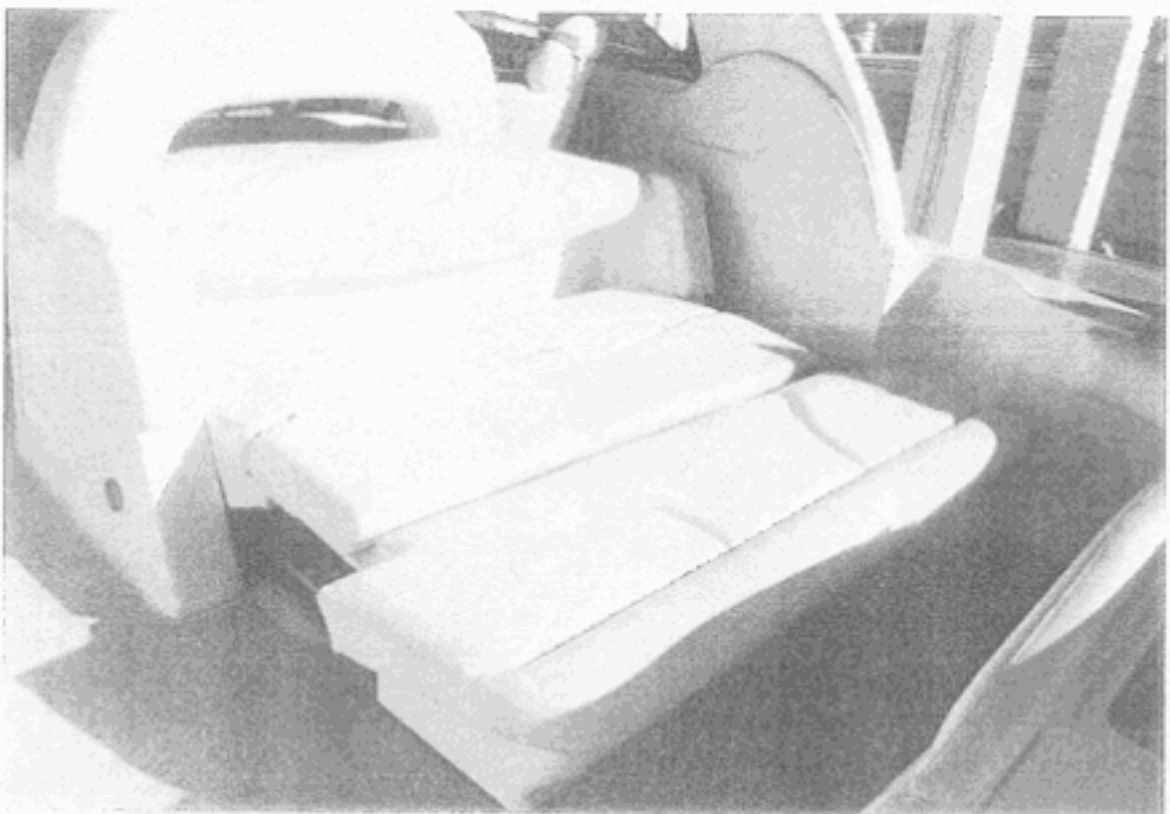
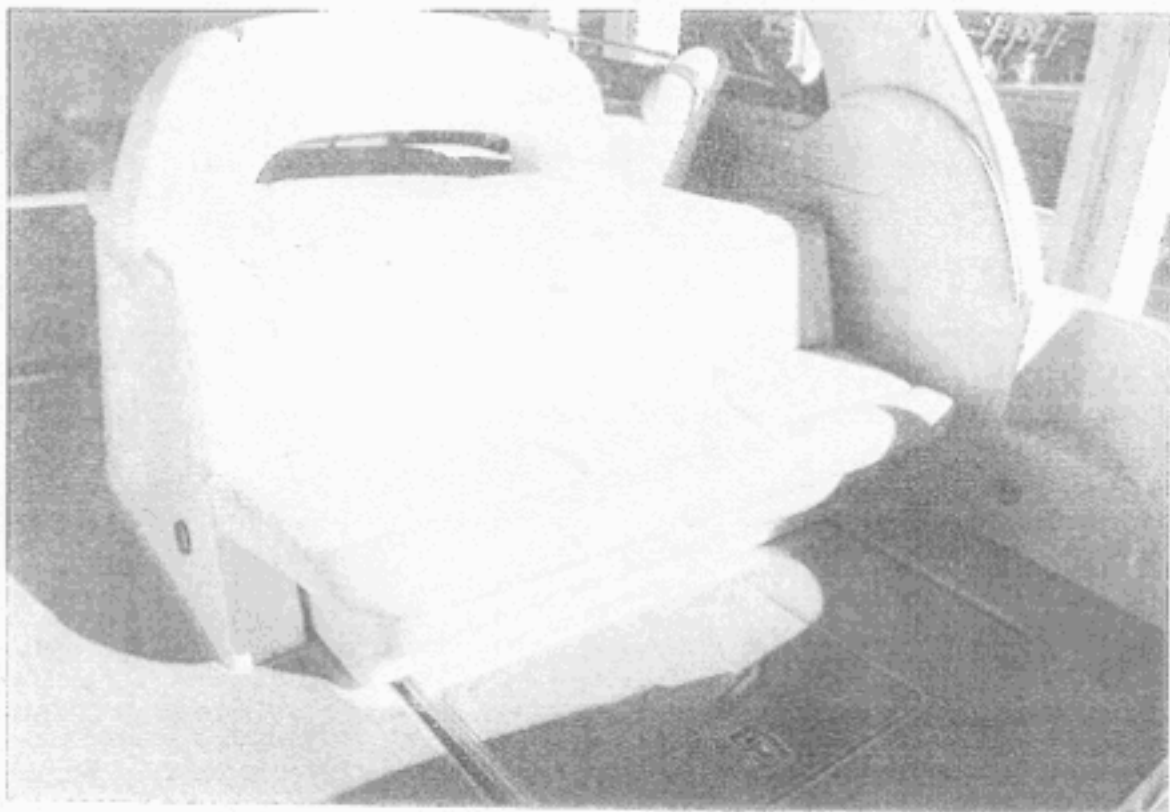
DO NOT WRITE HERE OFFICE USE ONLY  
APPLICATION RECEIVED APR 02 2001  
DESIGN COPIES RECEIVED APR 02 2001  
4/2/01  
FUNDS RECEIVED APR 09 2001



01/18/01

1999 Model Year 410EC  
Sea Ray Boats, Inc.

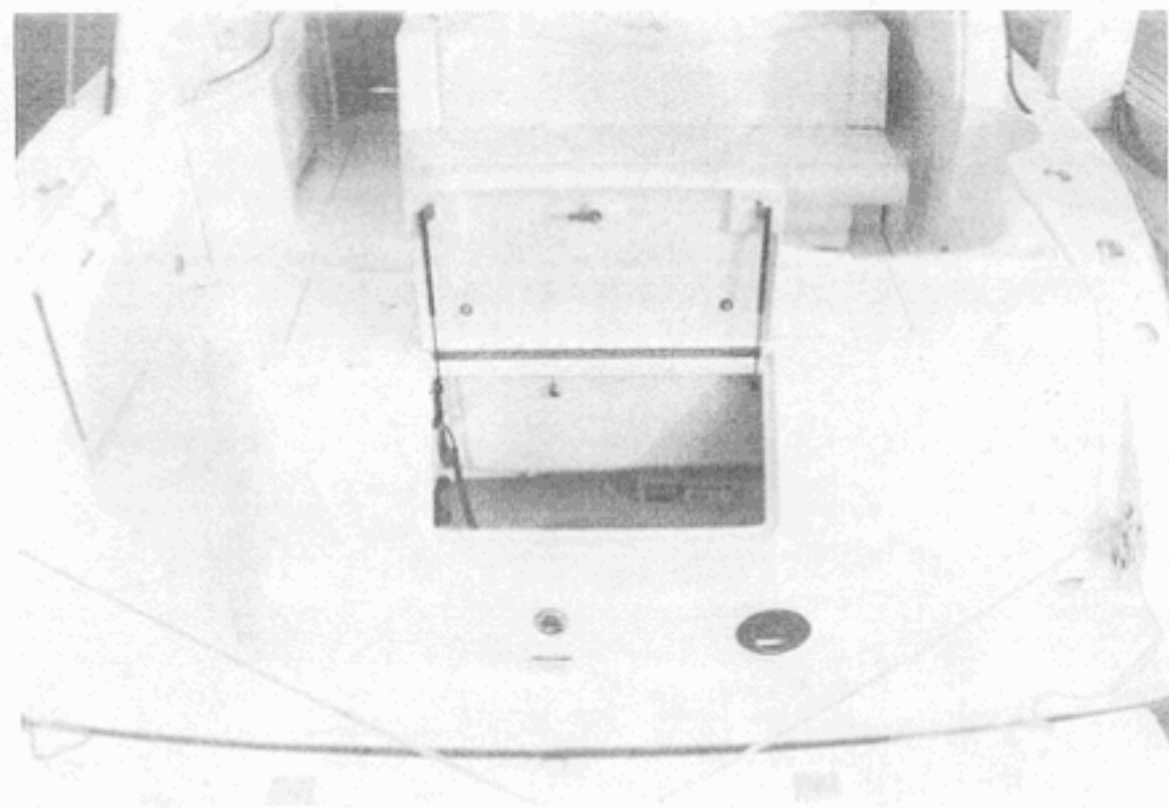
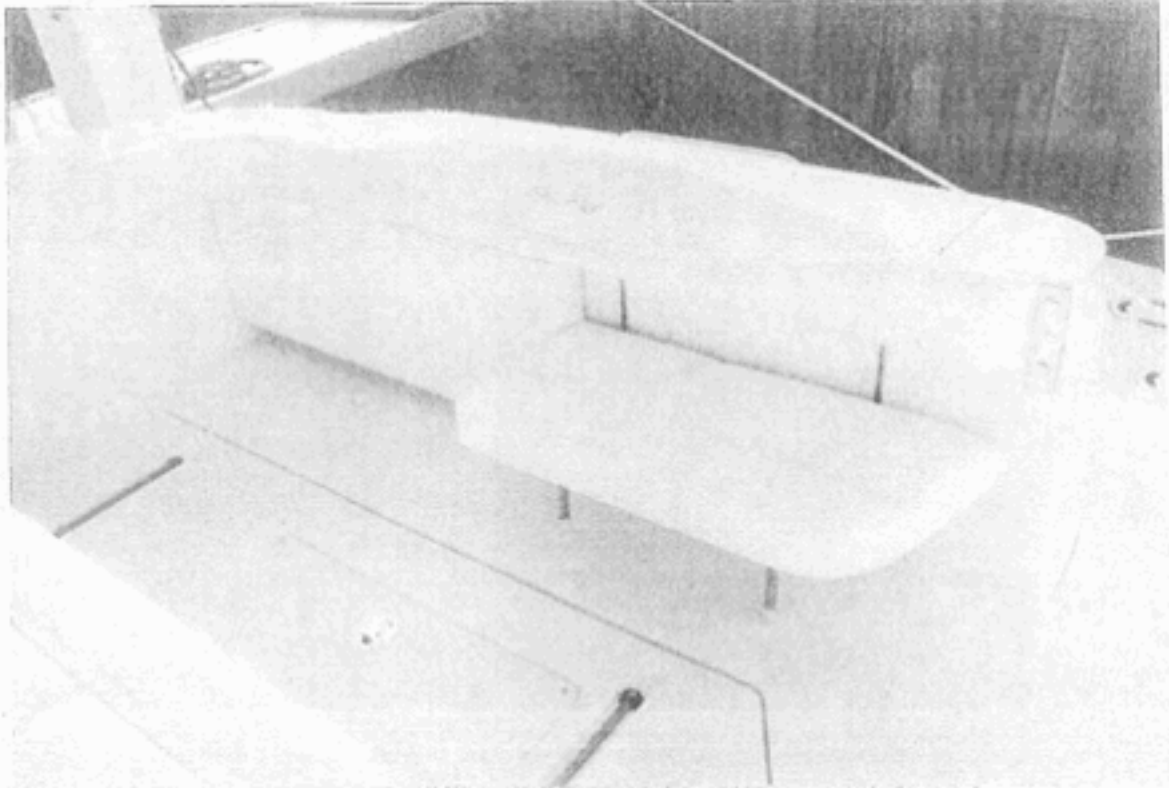




01/18/01

1999 Model Year 410EC  
Sea Ray Boats, Inc.



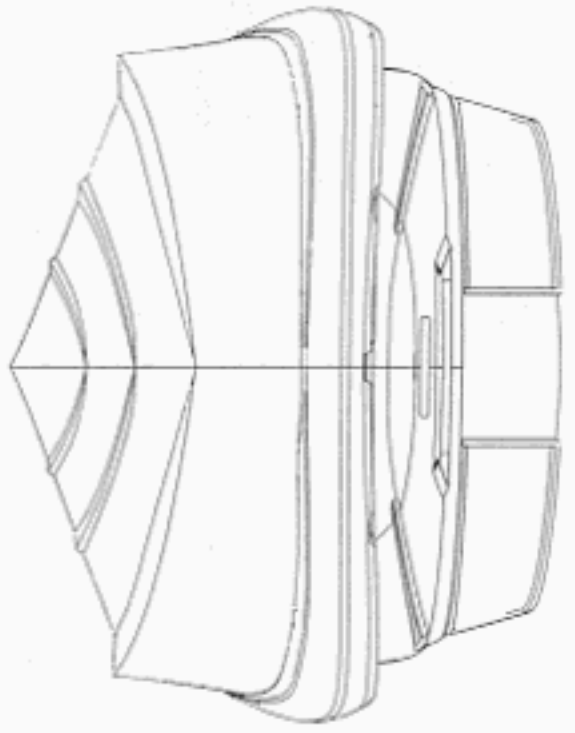
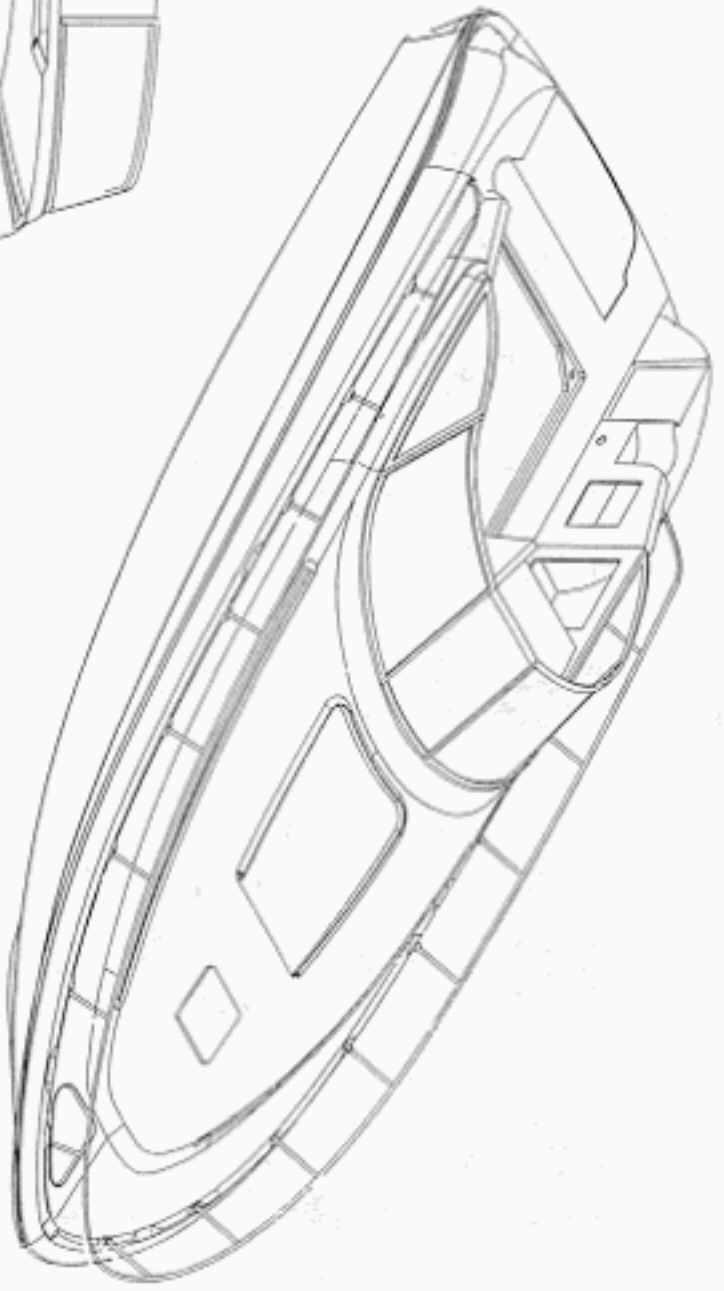




THIS DRAWING IS THE PROPERTY OF SEA RAY BOATS, INC. FOR ALL NOTES  
 HERBERT H. AND F. LORDA. ALL RIGHTS ARE RESERVED. THIS  
 DRAWING AND INFORMATION CONTAINED MAY NOT BE COPIED OR  
 DISCLOSED TO OTHERS WITHOUT THE WRITTEN PERMISSION OF  
 SEA RAY BOATS, INC.

REVISED BY	DATE	ECN REV. NO.	CURRENT ECN NO.

DVH 0054



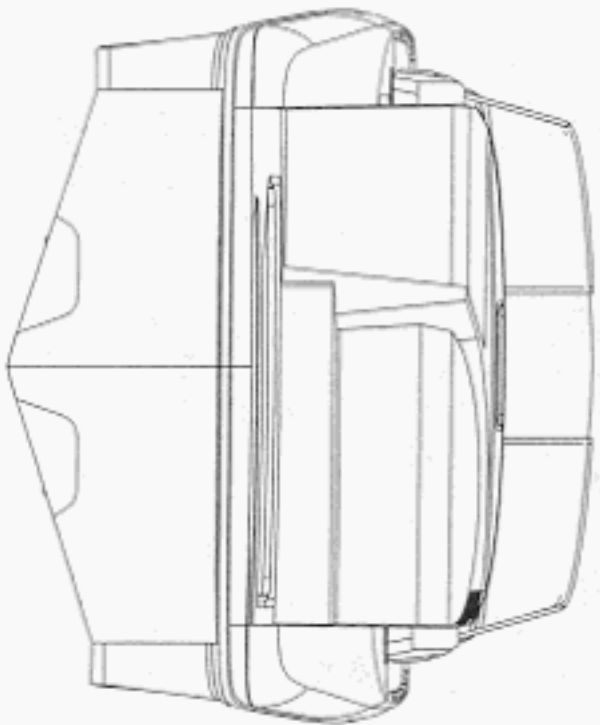
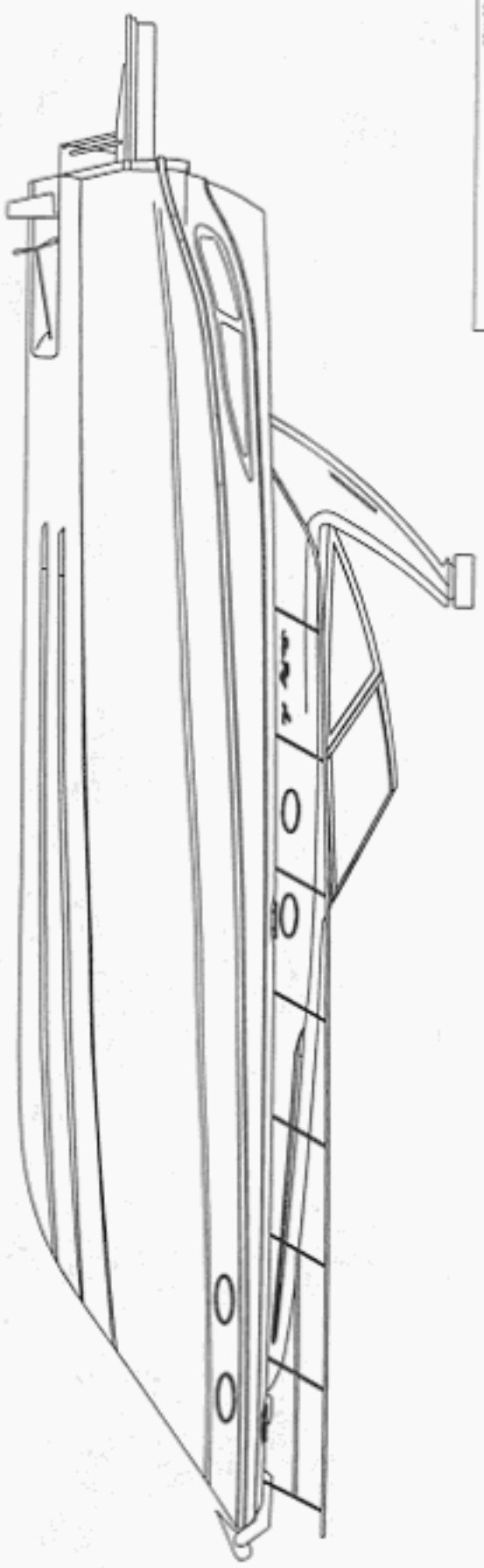
*Sea Ray*

PRODUCT DEVELOPMENT & ENGINEERING

ONE TIME COPYRIGHT DRAWINGS		MODEL	480 EC
PLANT DES. NO./DATE	CHECKED BY/DATE	DRAWN BY/DATE	R. BROMER 01-8-01
PLANT APPROVAL BY	APPROVED BY/DATE	DATE RELEASED	02-09-01
PLANT START NO.	PLANT ECN NO.	PROJECT	410ec99/41ec02090.ams
			02-090 (1 OF 3)

THIS DRAWING IS THE PROPERTY OF SEA RAY BOATS, INC., ORAC, NOTES  
 MERRITT ISLAND, FLORIDA. ALL RIGHTS ARE RESERVED. THIS  
 DRAWING AND INFORMATION CONTAINED MAY NOT BE COPIED OR  
 REPRODUCED IN ANY MANNER WITHOUT THE WRITTEN PERMISSION OF  
 SEA RAY BOATS, INC.

DVH 0054



COPYRIGHT OFFICE  
 APR 2 2001  
 COPY  
 LIBRARY OF CONGRESS

REVISED BY DATE ECN REV. NO. CUSTOMER ECN NO.

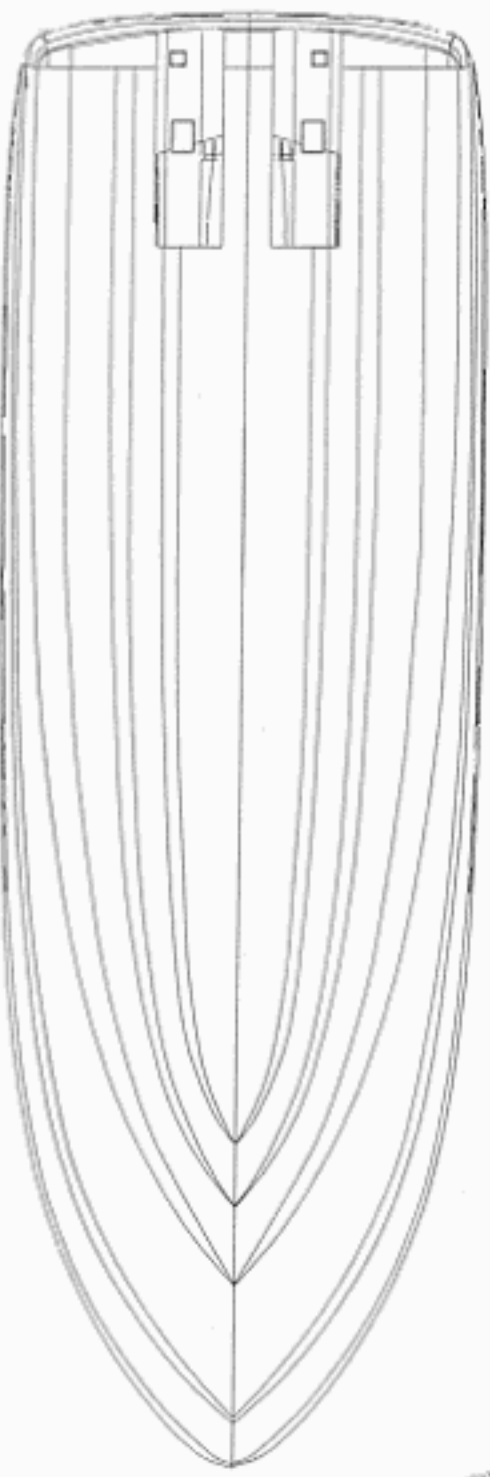
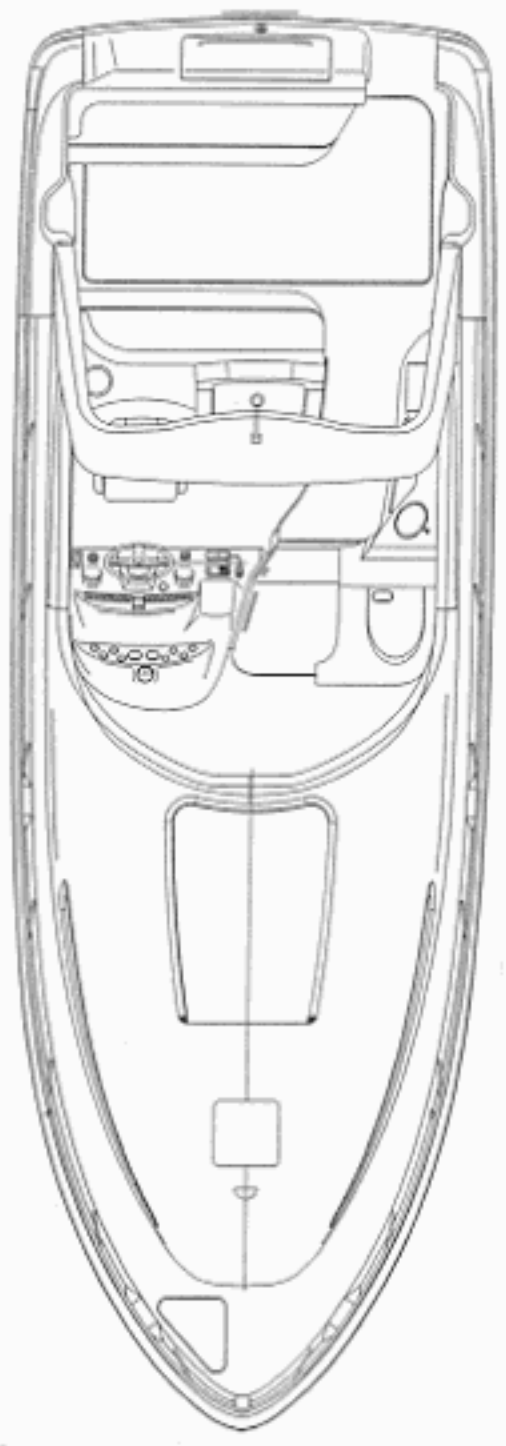


PRODUCT DEVELOPMENT & ENGINEERING

ONE TITLE COPYRIGHT DRAWINGS		MODEL 410 EC	
PLANT NO./DATE	DESIGNED BY/DATE	DESIGNED BY/DATE	DATE DRAWN
PLANT APPROVAL BY	APPROVED BY/DATE	APPROVED BY/DATE	R. BROUER
PLANT START NO.	PLANT E.C. NO.	CAD FILE	ORIG. RELEASE E.C. NO.
		410-c-99/410-c-02090.dms	DRAWING NO.
			01-8-01
			02-090 (2 OF 3)

THIS DRAWING IS THE PROPERTY OF SEA RAY BOATS, INC., PORTLAND, OREGON. ALL RIGHTS ARE RESERVED. THIS DRAWING AND INFORMATION CONTAINED HEREIN IS NOT TO BE REPRODUCED OR TRANSMITTED IN ANY FORM OR BY ANY MEANS, ELECTRONIC OR MECHANICAL, INCLUDING PHOTOCOPYING, RECORDING, OR BY ANY INFORMATION STORAGE AND RETRIEVAL SYSTEM, WITHOUT THE WRITTEN PERMISSION OF SEA RAY BOATS, INC.

DVH 0054



REVISED BY

DATE

ECN REV. NO.

CURRENT ECN NO.



PRODUCT DEVELOPMENT & ENGINEERING

DWG TITLE: COPYRIGHT DRAWINGS

PLANT REV. NO./DATE

PLANT APPROVAL BY

PLANT START NO.

PLANT ECN NO.

CHECKED BY/ DATE

APPROVED BY/ DATE

CAD FILE: 410ec99/41ec02090.dwg

MODEL: 410 EC

DRAWN BY: R. BROUWER

CAD DRAWING NO.: 01-4-01

PARTIAL RELEASE ECN NO.: DRAWING NO.

02-090 (3 OF 3)