



REGISTRATION NUMBER

DVH 0037

DATE OF REGISTRATION/PUBLICATION

Dec. 12, 2000

Month Day Year

DO NOT WRITE ABOVE THIS LINE. IF YOU NEED MORE SPACE, USE A SEPARATE CONTINUATION SHEET. (Form D-VH/CON)

1 Please give the make and model of the vessel that embodies the design.

Four Winns 280 Horizon (2000 model year)

TITLE

2 (a) What is the type or style of the design for which registration is sought?
fiberglass open-bow runabout

DESIGN (b) Provide a brief general statement setting forth the salient features of the design.
side step vent; raised swim platform; side louver; keel pad; inflected stern

Check here if this is a single design.

Check here if registering more than one design. Use Form D-VH/CON for additional designs.

(c) If this design is derived from an earlier design, describe how that design has been revised, adapted, or rearranged.
step has increased angle of attack; hull bottom has fully warped form as opposed to semi-planer, forepeak is higher.

3 Provide the name and address of the designer(s). The name of the employer may be given instead of the designer(s) if, (1) the design was made within the regular scope of employment of the designer(s) and (2) the individual authorship of the design is difficult or impossible to ascribe.

Please check here if those conditions are satisfied and you are providing the employer's name.

DESIGNER(S)

Name: Tom Wenstadt

Name: Rick Videan

Address: 4721 Forest Ridge Dr.
Cadillac, MI 49601

Address: 6177 Lillian Ln.
Traverse City, MI 49684

4 If the owner is different from the designer(s) or employer named above, provide the name and address of the owner:

Name: Outboard Marine Corporation

Address: 100 Sea Horse Drive
Waukegan, IL 60085-2195

**OWNER,
IF NOT
DESIGNER(S)**

5 (a) Was an application for registration of this design identified in an application filed in a foreign country that extends to designs of owners who are citizens of the United States, or to persons filing applications in the United States, similar protection to that afforded in 17 U.S.C. chapter 13?
 Yes No

**PRIORITY
CLAIM**

(b) If yes, identify the country and date of application:
Country: _____

Date of application: _____

Serial No: _____

Was this design made public before the date of application? Yes No

If yes, on what date? July 19, 1999
Month Day Year

6
**DATE MADE
PUBLIC**

DO NOT WRITE HERE OFFICE USE ONLY
APPLICATION RECEIVED MAR 31 2000
DESIGN COPIES RECEIVED MAR 31 2000
FUNDS RECEIVED MAR 31 2000



REGISTRATION NUMBER

DVH 0037

DATE OF REGISTRATION/PUBLICATION

Dec. 12, 2000

CONTINUATION SHEET RECEIVED

MAR 31 2000

DO NOT WRITE ABOVE THIS LINE. FOR COPYRIGHT OFFICE USE ONLY.

Check here, if using for multiple designs: Fill in Space A **ONLY** with new information regarding additional designs. All other information must be identical to the information on the corresponding Form D-VH. Use an additional Form D-VH/CON for each design included in the registration.
Design ___ of ___ designs.

Check here, if you are using the continuation sheet for supplemental information regarding the original design.

Identification
of
Application

IDENTIFICATION OF CONTINUATION SHEET: This is a continuation of the application for copyright registration on Form D-VH. Identify the title of the work as it appears in **Space 1** (i.e., make and model of the vessel) of Form D-VH:

Four Winns 280 Horizon (2000 model year)

A

(2a) What is the type or style of the design for which registration is sought?

Continuation of
Space 2

(2b) Provide a brief general statement setting forth the salient features of the design.

(2c) If this design is derived from an earlier design, explain how that design has been revised, adapted, or rearranged.

CONTINUATION OF (check which): Space 3 Space 4 Space 5 Space _____

Chad Vandercook
408 East North St.
Cadillac, MI 49601

B

Continuation
of Spaces
Other than
Space 2

**MAIL
TO**

Name ▼	John H. Pilarski Outboard Marine Corporation
Number/Street/Apt ▼	100 Sea Horse Drive
City/State/ZIP ▼	Waukegan, IL 60085-2195

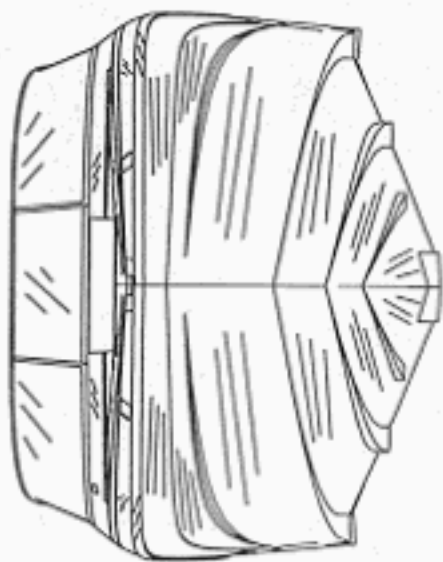
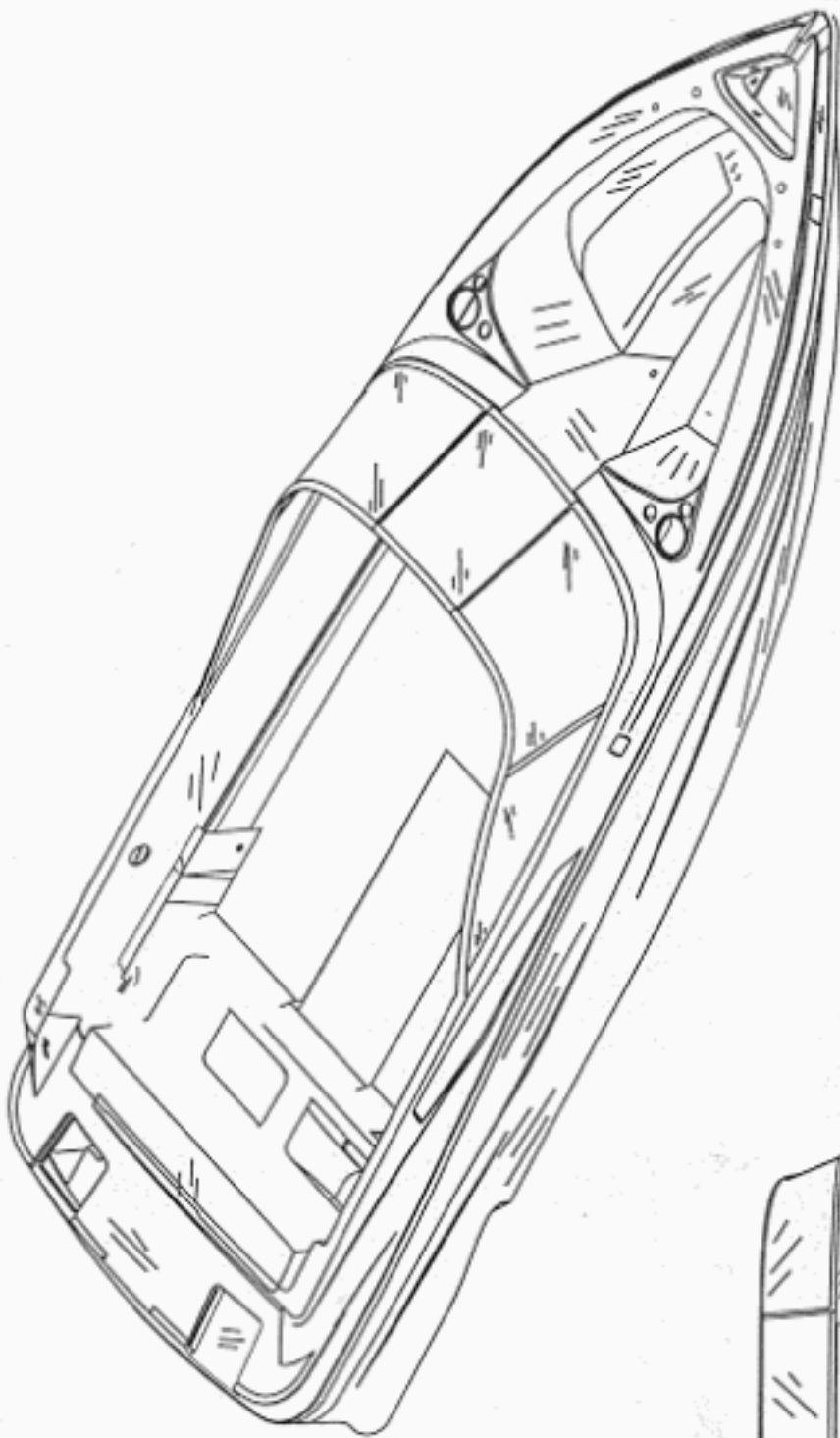
Certificate
will be
mailed in
window
envelope

YOU MUST
• Complete all necessary spaces
**SEND ALL PAYMENTS
IN THE SAME PACKAGE.**
1. Application form
2. Nonrefundable filing fee in
check or money order payable to
Register of Copyrights
MAIL TO
Dept D-VH
Vessel Hull Registration
P.O. Box 71380
Washington, D.C. 20024-1380

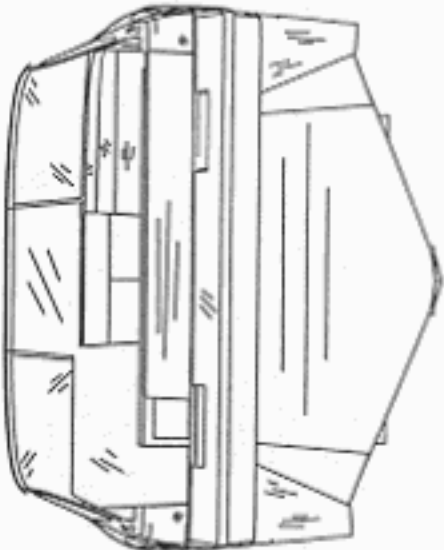
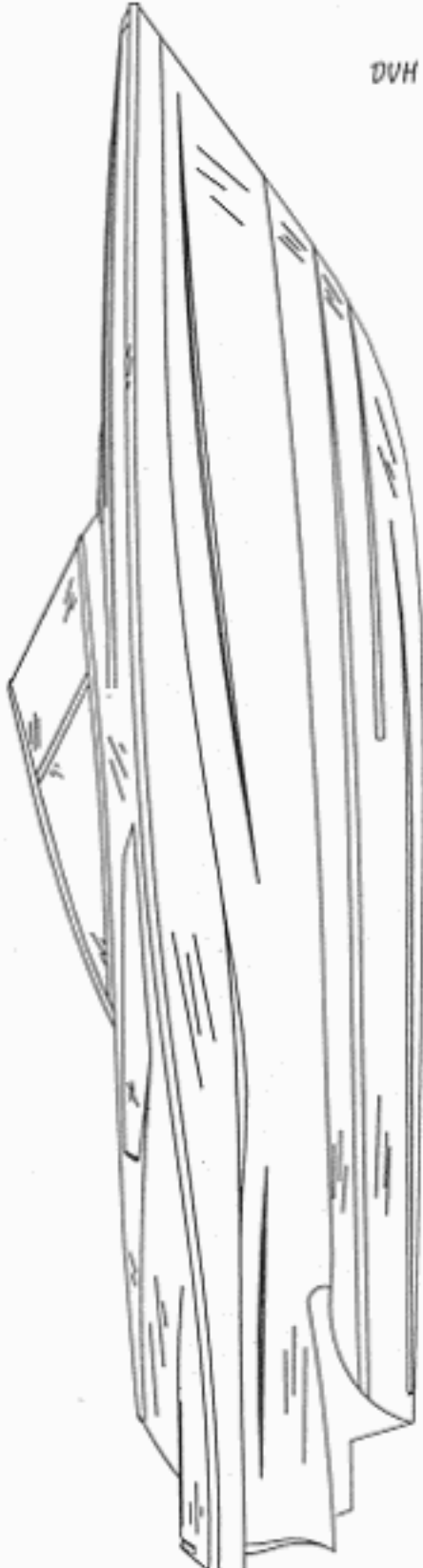
C

Address for
return of
certificate

DVH 0037



DVH 0037



DVH 0037

