



DVH 0011

DATE OF REGISTRATION/PUBLICATION

Apr. 18, 2000

Month Day Year

DO NOT WRITE ABOVE THIS LINE. IF YOU NEED MORE SPACE, USE A SEPARATE CONTINUATION SHEET. (Form D-VH/CON)

1

TITLE

Please give the make and model of the vessel that embodies the design.

Four Winns 298 Vista (1999 model year)

2

DESIGN

(a) What is the type or style of the design for which registration is sought?

fiberglass mono-hull cruiser

(b) Provide a brief general statement setting forth the salient features of the design.

overall appearance, including deck layout, and hull configuration and shape

Check here if this is a single design.

Check here if registering more than one design. Use Form D-VH/CON for additional designs.

(c) If this design is derived from an earlier design, describe how that design has been revised, adapted, or rearranged.

design includes some localized reshaping of the vessel hull and deck from versions in previous model years

3

DESIGNER(S)

Provide the name and address of the designer(s). The name of the employer may be given instead of the designer(s) if, (1) the design was made within the regular scope of employment of the designer(s) and (2) the individual authorship of the design is difficult or impossible to ascribe.

Please check here if those conditions are satisfied and you are providing the employer's name.

Name: Outboard Marine Corporation

Name:

Address: 100 Sea Horse Drive

Address:

Waukegan, IL 60085-2195

4

OWNER, IF NOT DESIGNER(S)

If the owner is different from the designer(s) or employer named above, provide the name and address of the owner:

Name: same

Address:

5

PRIORITY CLAIM

(a) Was an application for registration of this design identified in an application filed in a foreign country that extends to designs of owners who are citizens of the United States, or to persons filing applications in the United States, similar protection to that afforded in 17 U.S.C. chapter 13?

Yes No

(b) If yes, identify the country and date of application:

Country:

Date of application:

Serial No.:

6

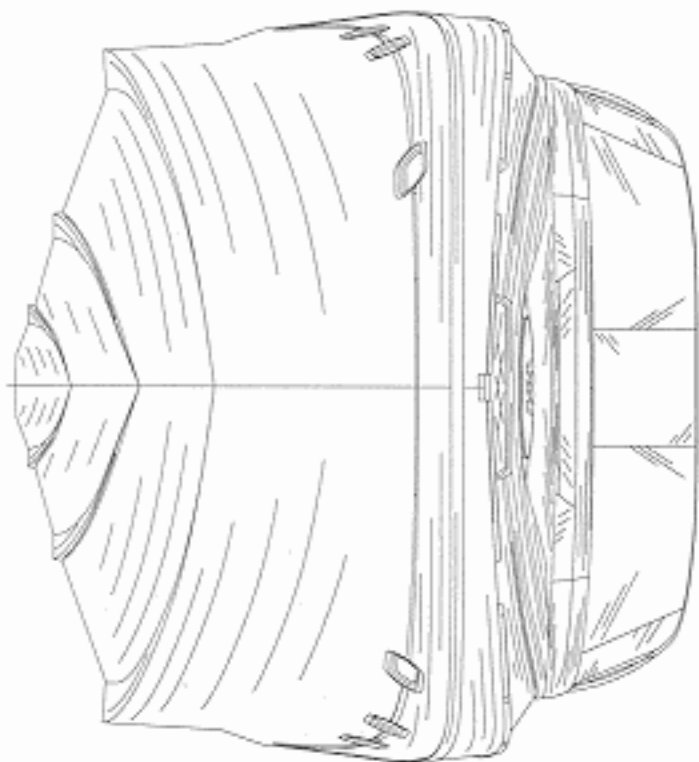
DATE MADE PUBLIC

Was this design made public before the date of application? Yes No

If yes, on what date? February * 1 (est.) 1999
 Month Day Year

DO NOT WRITE HERE OFFICE USE ONLY

APPLICATION RECEIVED JAN. 27 2000
 DESIGN COPIES RECEIVED JAN. 27 2000
 FUNDS RECEIVED JAN. 27. 2000



LIBRARY OF CONGRESS
JAN 27 2000
COPYRIGHT OFFICE



