

TIMBER FRAMING

JOURNAL OF THE TIMBER FRAMERS GUILD

Number 67, March 2003

Index to Issues 1-66



Raising the Frame

TIMBER FRAMING

JOURNAL OF THE TIMBER FRAMERS GUILD
NUMBER 67 MARCH 2003

CONTENTS

TOPICS Leon Buckwalter	2
TIMBER FRAMING FOR BEGINNERS V. RAISING THE FRAME Will Beemer	4
RAISING CALCULATIONS AND PREP Grigg Mullen	10
INDEX TO TIMBER FRAMING 1-66 October 1985-December 2002	14
A BORING ESSAY Paul Oatman	22
THE CLOSE SPACING OF TRUSSES Jan Lewandoski	24

On the cover, hand raising with pike poles at Malabar Farm, Malabar Farm State Park, Mansfield, Ohio, 1994. The heavy strapping fastened across the bent will act as jibs for tackle used later to raise the purlin and wall plates. Haul-back line, presumably assigned but unmanned for the moment, can be seen at the left. Yellow strap from gin pole, guyed outside the picture frame, acts as safety. Photo by Will Beemer. Raising and rigging articles begin on page 4.

Copyright © 2003
Timber Framers Guild, PO Box 60, Becket, MA 01223
www.tfguild.org
888-453-0879

Editorial Correspondence
PO Box 275, Newbury, VT 05051
802-866-5684 journal@tfguild.org

Editor Kenneth Rower

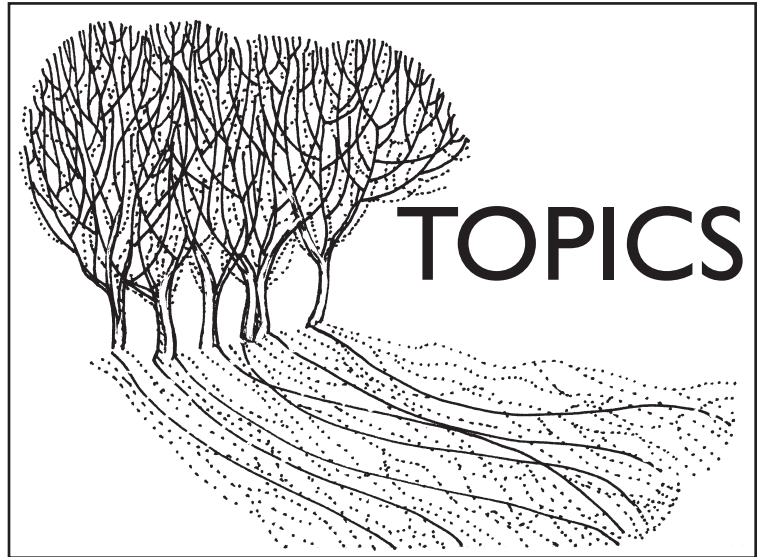
Contributing Editors
History Jack Sobon
Timber Frame Design Ed Levin

Published Quarterly. Subscription \$25 annually
or by membership in the Timber Framers Guild.
ISSN 1061-9860

TIMBER FRAMING, Journal of the Timber Framers Guild, reports on the work of the Guild and its members, and appears quarterly, in March, June, September and December. The journal is written by its readers and pays for interesting articles by experienced and novice writers alike.



1 9 8 5



In Appreciation of History

As was the case with many of my school subjects, I thought that history had no relevance to my life. Then, when I began to make my way through the world on my own, the connections and influences of the past on my life became apparent.

My introduction to timber frames came at an early age in the family dairy barn that was a playhouse and fort long before becoming the focus of so much dreaded *work*. That work was one of the natural cycles, repeated yearly—fill the barn, the silos and the granary with the harvest, then gradually feed it in one end of the animals and take it away from the other. As a teenager, it was difficult for me to appreciate the steadying connection to the past that came with the lifestyle and that was embodied in the timelessness of the old barn.

When I began to hear of the revival of timber framing in the 1980s, it immediately aroused my interest as an extension of the woodworking I had come to love. After several years of attending conferences and workshops and occasional work helping a nearby shop through its busiest times, I opened my own shop. Cutting house frames for rich people was my bread and butter, but the occasional involvement in historic projects lit a fire I couldn't put out. The house frames began to feel sterile compared to the richness of subject matter surrounding every project that came from a previous time.

Over the years, I have been involved in a broad array of historic timber frame projects. When working with Rudy Christian on lock gates for a canal reconstruction in Ohio, the history of that era seemed much more immediate. It was natural to explore beyond wickets and swing arms to the lives of the people who were part of that time.

When helping to reconstruct a 1626 French Jesuit missionary settlement near Syracuse, N.Y., at the museum of Saint Marie Among the Iroquois, I learned the laboriousness of French Scribe timber framing as well as the beauty of irregular hewn surfaces meeting perfectly. I also learned how the Jesuits found the first petroleum in America at Oil Spring in Cuba, N.Y., five miles from my home. After a couple of years, the Jesuits hurriedly left the area when their Iroquois hosts became restless.

While the technical lessons learned building the boat shop in St. Petersburg, Russia, may not have been great, the trip was a life- and perception-altering experience, and its effects will always remain. The Russian people were so warm and so curious about our lives, such unlikely enemies, possessing an odd juxtaposition of naïveté and cynicism.

The conversion of a logging railroad grade to a recreational trail in Pennsylvania brought lessons in historic timber railroad bridges, as well as in the logging era that clear-cut the mountains, and the Carnegies and Mellons who financed the operations from their grand estates in the valley. My children had a lesson of their own in natural history when, sitting on the cabin porch on a peaceful evening, I heard, "Daddy, there's a bear!" Our host taught a class in gourmet cooking (and eating) when he showed up with elk steaks, native brook trout, morels from a nearby wood and a salad of wild greens. How sweet it was!

A project at a 19th-century water-powered grist mill, again in Pennsylvania, taught mill mechanics, history and terminology, as well as how the village of "Burnt Cabins" earned its name in 1750, shortly before the existing mill's predecessor was built. A young surveyor named George Washington had followed Generals Braddock and Forbes through the nearby hills and, if the outcome of action between British Fort Ligonier and French Fort Duquesne (Pittsburgh) had differed, you and I would likely converse in French.

I'd always been interested in covered bridges, but I took a crash course in their construction and history with the stabilization of one on the verge of collapse in Somerset County, Pennsylvania. King's Covered Bridge was built early in the 19th century with multiple king-post trusses. In 1906, a major rebuild added arches to the trusses. Bottom chord failures (both sides, luckily at opposite ends) had likely prompted the addition of arches, but deterioration had continued to the point that I think it was only force of habit holding the bridge up. The construction of an adjacent steel bridge removed traffic and saved the unusual lattice-joist floor system, which otherwise might have been replaced by steel beams, a common remedy to modernize similar bridges. The retired bridge was then used for years as a very long, narrow sheep barn.

The engineer's stabilization remedy was to stack several thousand 4-ft. 6x7s in neat piles to a level elevation right across the river bottom (slippery, and cold at Thanksgiving, ask me how I know) on which we wove two temporary bow-string trusses into the bridge. It's a thing of beauty. Word is that the money for permanent repairs is slowly working its way through the pipeline.

When I worked with Jim Kricker and a bunch of other merry adventurers on the Guild's replication of the 1656 Richardson Windmill in Indiana, I thought, "It'll be hard to top this one." The picture of Jim balanced on the great central post, lifting himself and the 5000-lb. post by himself, may never leave me, nor will the memory of Al Anderson off to one side scratching his head, then coming up with elegant solutions to the rigging and handlifting problems of multi-thousand-pound assemblies. Lift the other side? Don't move the lifting apparatus, just turn the frame around.

The hay barracks project at the 2000 International Preservation Trades Workshop proved that you can indeed timber frame a hip roof without cutting any compound angles. I had to see it to understand how. You've got to center a principal rafter on a plate, to make a sort of upside-down T, miter the jack rafters into that assembly, then join four such structures at the corners and peak.

Think the windmill's hard to top? Leave it to Kricker to try. In 2001, he put together a team to build a reproduction of an 1854 water-powered up-and-down "muley" sawmill in Wisconsin. This time the job required the fabrication of a dizzying conglomeration of idler and cone pulleys, wide leather belts and belt lacing, gears, flywheels, shafts and countershafts, levers, stops, log carriages and tracks, advance and return mechanisms, ropes with handles, water-flow-control linkages, guides, counterweights, log dogs, headstock and tailstock pins, pitman arms and rocker arms. Oh, and a water turbine to power it all, and a snapping turtle in the millpond observing the process. Did I forget to say that every square inch of the surfaces of six semi-trailer loads of white oak timbers had to

have a hand-hewn surface, and the power-planer ripples on every door and window frame and every trim board had to give way to hand plane tool marks? The carpenters from the local general contractor, speaking in their Wisconsin-Swedish accent, gazed at the shavings coming off the planes. The next day several rusty relics just happened to be left lying around, waiting for the plane-tuning gods to resurrect them.

Complying with regulations of Wisconsin's Department of Natural Resources (this was a state historic site) dragged things out to about 10 years, start to finish. First, the state archeologists were called in. They found remarkably well-preserved mud-sills from the original mill buried in the mud, so they cut a section out of the center of a pristine 40-footer to take back to the office. Then the State Environmental Protection boys showed up and found an endangered species of mussel (a half-inch long) in the river. "Shut 'er down, let's move these mussels [and mud] to a new home," they said. Then, "You can't dam the river, the millpond might raise the water temperature and lower oxygen levels too much. Instead, you'll have to move the river over, then create a separate millpond. It's only a few hundred thousand cubic yards of soil. Oh, and let's install a few miles of wires, a computer, and some instruments to monitor conditions in the water." So, the 1854-2001 mill has a computer room.

INOW have the opportunity to develop a trade-based program in Historic Preservation at SUNY's Alfred State College of Technology in Wellsville, N.Y. To date, preservation education in the US has been primarily for architects and planners. They've been instrumental in raising public awareness of the benefits of saving our historic architectural heritage. Now the problem has become finding craftsmen with the proper combination of skills and understanding to restore our structures in a manner respectful of the craftsmanship that originally went into them.

I suppose you might understand my feeling a certain amount of reluctance when I considered leaving all the fun and games behind. What did I have to gain, other than a steady paycheck, a retirement fund that should mature shortly after I'm 70, and paid vacations? (My idea of a vacation had been going on an out-of-town job.) And what's this, health insurance?

Well, maybe I won't have to leave it *all* behind. Last year, I was allowed to come out and play with the other kids to help build the Norwell Crane (see TF 64), a replica of an 18th-century tread-wheel-powered construction crane. And as a real kid, 4-year-old Silas Russell, learned to his great delight, it can be used to lift your father 50 ft. in the air, all by yourself. I hope footage of that lift survives to become part of the film documentary.

Now, remember the old family barn where this all started, the one I thought was timeless? Well, I'm afraid time has caught up with it. I've extended the lives of a few barns, but this is one I won't be able to save. When its working days ended and its upkeep was no longer necessary to the economy of the farm, it sat neglected, a relic. When I drove by a couple of months ago, the silos were gone, boards were missing from the walls, and the roof was starting to cave in. It won't be long now.

It's all part of the cycle. But you know, the cows' contributions made the soil pretty good there, and after the old barn becomes part of it, it may grow some really fine trees. Maybe some of them will have the honor of becoming part of something useful to us, appreciated by generations to come. It's pretty cool to think that by picking up a piece of a tree, turning it around and looking at it, taking away a little here and there and fitting it together with other bits and pieces, we can turn it into something much more than it was. We can make it gain our appreciation as something unique, and in the process maybe even deny our own mortality a little.

—LEON BUCKWALTER

TIMBER FRAMING FOR BEGINNERS

V. Raising the Frame

TIMBER framing differs from light (or stick) framing in many ways, perhaps none so dramatic as in the manner in which the frame is erected. That just a few people using lightweight members could quickly construct a balloon or platform frame with studded walls contributed to the popularity of this new method as Americans migrated West in the 19th century, and it led to the diminution of timber framing as an economical building method. Today, with the availability of mobile cranes, it is possible for a small crew to build with heavy timber, but the skills and equipment required are still very different from light framing's, and more akin to steel erection. Raising by hand with a large group of people and specialized rigging equipment is a viable option that adds economic, spiritual and photogenic benefits, but it's potentially more dangerous as well. Sometimes both methods can and should be used at the same raising. Either method requires care and foresight.

Because of the endless variety of timber frame designs and site conditions, every raising has its own peculiarities and requirements, but some general principles apply. I highly recommend that you seek out nearby timber framers to let you observe a number of raisings, or participate in a Guild rendezvous or workshop, to get the basic experience and understanding of the principles.

As explained in the second article of this series ("Ten Factors in Timber Frame Design," TF 62), the raising method is one of the 10 factors. At the very start of planning, you have to visualize how you are going to assemble the frame and get it up. It's possible and sometimes necessary to stand up one post at a time and stitch the frame together piecemeal, but this is very arduous and doesn't take advantage of the ability to pre-assemble much of the frame on the ground. Most timber frames can be broken down into either *bent raisings* or *wall raisings*. Bents are transverse assemblies that usually run across the width of the building, parallel to the rafters. Walls for raising purposes usually run the length of the building, parallel to the ridge, and provide rafter plates on top of the posts. Some joinery, such as the English tying joint, requires a wall raising because the tie beam that keeps the walls from spreading from the rafter load must be placed on top of the rafter plates. *Full-bent* systems that include principal rafters and use common purlins and wall girts to connect the bents require extensive rigging and scaffolding, in part because of the higher center of gravity in the bent. Rafterless bents (*H-frames*), with the tie beam below the plate, as well as wall assemblies, are easier to hand raise and require less rigging.

A raising script, in which you imagine and write out each step in the raising process, will help you plan for the big day and anticipate any difficulties in assembly (see Grigg Mullen's accompanying article for an example). It is very possible to cut a frame that cannot be assembled as designed, and this often results in a few "modifications" on site, such as cutting off tenons. A script helps you foresee these problems before the crane arrives.

Another early consideration will be accessibility. Can delivery trucks and a crane reach the site? (Don't forget to check for road restrictions, heights of underpasses and load limits on bridges,



Ken Rower

Frame above was raised walls first, then braced tie beams were laid across the plates; on this safe box, collared rafter pairs were set and joined by tenoned purlins (last collar omitted in favor of window).



Will Beemer

Full-bent raising. First bent has been strapped off. Second bent, reinforced with heavy strapping and comealongs, coming in. Workers on staging will insert braced connecting girts to make the box.

especially in rural areas.) If not, a hand raising may be in order, and hence you'll likely want lighter timber sizes and smaller assemblies.

Site considerations include the storage and preassembly area and the foundation and deck design. Many timber frames are built in hilly and wooded regions where frequent deliveries of small loads of light framing lumber from a local supplier would be an easier prospect. For a precut (and often prefinished) frame, there must be an area where a large straight truck or even a tractor-trailer can park for offloading, as well as room for a forklift or crane or lots of bodies to maneuver, handle and store the timbers safely and cleanly. These piles of timbers should be arrayed for easy and orderly



Ken Rower

H-bent raising in progress. Box is complete and roof assembly of decorative faux trusses has been preassembled with ridge and ridge braces, ready for flying in to join wallpost and queenpost tenons. Last principal rafters will be fitted singly while crane holds ridge up slightly.

access as needed during the assembly and raising. If it can be arranged for, a generous, fairly flat area surrounding the foundation of the new building can be helpful. Backfilling around the foundation should have been completed before the timbers arrive.

If a crane is used, it has to be set up on a reasonably level area and close enough to the deck and storage area so it can comfortably reach both. The ground must be firm enough to support the outriggers and pads, which level and stabilize the crane. Usually the crane company will send someone to do a site visit to help you plan for these contingencies. Remember that the farther the crane has to reach, the smaller the load it can lift (more on this later). Keep in mind that if the foundation you're raising on is much higher than the storage area of the timbers, you may need a crane just to get the timbers onto the deck, never mind raising the bents. If you're moving and raising by hand, try to get the timbers delivered uphill from the deck and use gravity to help wheel the timbers onto the floor with your timber cart. Remember, too, that you're paying by the hour for a crane, so try to prepare and preassemble as much as you can by hand before it arrives.

Most timber frames today are raised on conventionally built light-frame decks, since it's a rare person who appreciates seeing the timber frame from the basement. Such a deck can be built in advance by local contractors at lesser cost and provides a level, clean surface on which the timber frame can be assembled. But, since posts in a timber frame impose significant point loads, the construction details must provide for them. This is another departure from the standard practices associated with the distributed loads of stud-framed bearing walls. It's most efficient to have the posts bearing directly on the foundation, which is usually masonry. Since the end grain of the posts can readily absorb moisture and rot can be induced by the moisture-wicking action of the masonry, a barrier is required. This is most often a treated sill, a plastic stand-off base (new high-strength ones are made by Simpson) or a rubber membrane. Since loads on the posts can often exceed 10,000 pounds over less than 100 sq. in., the underlying structure must be kept from crushing. If you are building on a 4-in.-thick concrete slab, this means increasing the depth under the post to 12 in., making a footing. In the case of poured concrete walls, which may be increased in thickness to 10 or 12 in., vertical reinforcing is often added. Concrete masonry units (blocks) cannot take point loads well, so their cores are often filled with concrete and reinforcing is added under posts and pilasters. If the posts sit directly on the joist- and-plywood deck system and don't penetrate through the floor to the foundation, then solid blocking should be added to

bear the weight through the floor. Avoid nailing the plywood and blocking where a mortise will be cut out later. Under interior posts, this blocking may bear on concrete-filled tubular steel posts (*Lally columns*); keep in mind that, for timber frames, the little square stamped plates that come with these columns to spread the load at top and bottom should be replaced with larger ¼-in. thick plates. On the perimeter of the building, hold-down straps are often cast right into the foundation wall, especially in seismically active regions, to counter uplift of the posts.

All of these provisions should be detailed in the plans (see the Resources list on page 9 for more information), but there is always some on-site prep that has to be done. At a minimum, the overall dimensions of the deck or slab must be checked for square and to see how close they are to the timber frame's—rarely do they match perfectly, and adjustments are sometimes necessary—and the locations of the post feet must be found and marked. If tenons have been cut in the post feet, appropriate mortises must be cut in the deck or, if they are already blocked in, the mortises must be checked for size and depth. In hand-raised frames that rest on a plywood-sheathed deck, these tenons can be short (1 to 2 in.) and used simply to locate the posts but not to prevent uplift; the latter can be countered with straps down to the rim joists of the deck or the foundation. If desired, a full-length tenon can also be admitted to a blocked-in mortise below the deck covering, and pinned in the conventional way. As described above, some framers prefer to have the whole post penetrate through the floor framing and rest directly on the foundation. This approach makes a crane raising the more suitable choice, as the posts can drop gently and vertically through the floor. During a hand raising, it's difficult to guide the post feet through a hole in the plywood and most disconcerting to have the bent drop 12 in. as it reaches vertical.

LIFTING EQUIPMENT. Whether transporting or lifting timbers, it's heavy work. Therefore you'll want to know both the weight of individual pieces and assemblies and their centers of gravity (see page 10). Once the weights of the objects to be lifted have been determined, the rigging and equipment to do the lifts can be arranged based on the rated capacity required.

A complete examination of the variety and combinations of rigging and hoisting equipment is beyond the scope of this article. Courses and textbooks are available that adequately cover the topic for most situations a timber framer will encounter (see Resources). We can, however, give an overview of the terminology and types of gear available.

A *crane* is a piece of equipment designed to lift, transport and place a load. Some timber framing shops use electric overhead traveling cranes, sometimes called rolling bridge cranes, to move timbers from and to any point in a rectangular space below. On site, the vast majority of raisings are done with mobile cranes, which can move around the site under their own power, most often on rubber tires, though some are on crawler treads. They may have lattice booms but are more likely these days to have hydraulic telescoping booms. Typically, mobile cranes can rotate through 360 degrees, extend or retract and raise or lower their booms as well as lift or descend their load lines—with all four of these motions independently controlled. *Truck cranes*, the lightest class of mobile crane, mount their cranes directly on the truck bed or on a special sub-chassis. They are commonly available for ordinary timber frame raisings.

When planning where to set up the crane, keep in mind that the lifting capacity will often change depending on the rotation and orientation of the crane. Truck cranes can usually not pick off the front (over the truck cab) at all, and have the greatest capacity when pointed straight back. This has much to do with the location and arrangement of the counterweight used to offset the load.

Crane stability is based on the leverage of the load balanced by the leverage of the counterweight (sometimes the crane body) over a fulcrum (the tipping axis). When ordering a crane, specify the greatest distance the crane must reach, the expected weight of the loads at that distance and the height the crane will have to lift the assembly or pieces. Go through your raising script to anticipate if the crane will need to lift a bunch of weighty purlins over a ridge beam that's 50 ft. in the air, for example.

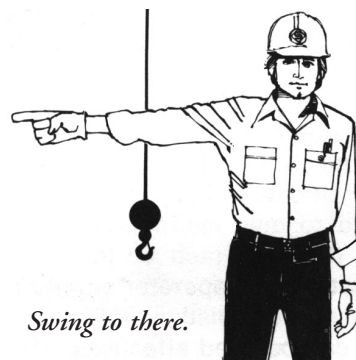
Cranes are rated by the maximum load capacity that can be lifted at *minimum* reach of the boom. For timber frame raisings, typical cranes might be rated as small as 14-ton or as big as 40-ton. They can cost anywhere from \$80 to \$160 an hour, including travel time portal to portal. Try to get recommendations for a company that has done timber frames before. A crane operator who is familiar with the rhythm of a timber frame raising (often slower and more varied than commercial work), and who enjoys participating, can be a great help. Ask if they provide all the lifting straps required. While the crane company can provide a rigger to attach the loads to the crane, generally this is the timber framer's responsibility. Often the crane operator can provide advice, but it's not efficient for the operator to leave the cab frequently. Sometimes the operator may be out of sight of the lift (try to avoid this), and the noise of the crane often makes communication difficult. Two-way radios are used by some companies, but be prepared to use the essential hand signals described at right. Have one person (and one person only) clearly designated and in plain sight of the crane operator to direct the lift.

Less-common hoisting apparatus can be used during hand raisings (drawings, facing page). *Derricks* have masts supported at the head by guys or braces, and differ from cranes in that the hoisting mechanism is attached separately, not part of the machine. This mechanism is most often block and tackle or a winch. *Boom derricks* have hoisting systems independent of the position of the boom, which itself can luff up or down to change the pick position. Boom derricks can be designed to swivel through 360 degrees and are useful if one is lifting from the center of the site. The *gin pole* is versatile and handy and requires just a single vertical mast but at least three guy lines. It's easy to rig, can be leaned at various angles and turned to lift from all sides. It's suitable for lifting medium loads to heights of 10 to 50 ft. An *A-frame* (or *shear legs*) derrick uses one fewer guy but one more mast.

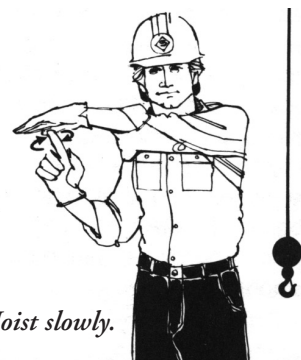
ASSEMBLY METHODS. Before raising day, it's prudent to have as much of the frame as possible preassembled and ready to lift. Usually this is done by stacking the bents (or walls) on top of one another or end-to-end on the deck. Mobile cranes make possible the contemporary practice of assembling completed bents including rafters and then connecting them with common purlins (see the example in the accompanying article). The crane can quickly raise these heavy assemblies with their high centers of gravity while the raising crew inserts connectors in the longitudinal walls. The purlins are then installed from "trees" held aloft by the crane (photo page 8). The bents must be spread slightly to insert the purlins, but that can be done with the help of the crane and a series of ratchet pullers (comealongs) and straps.

To assemble the bents on the deck, start with the last one to be raised so that the first one to go up will be on the top of the even-

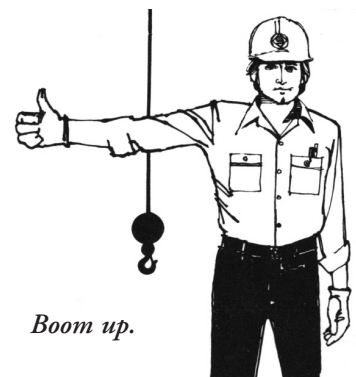
Some of the hand signals for controlling crane operation (with thanks to the Construction Safety Association of Ontario, the source of the illustrations). Any operation can be indicated to be done slowly by combining a motionless hand with the one signaling the operation, as shown in "Hoist slowly," top right. The combination signals "Boom up, cable down" and "Boom down, cable up" can relocate a load laterally without changing its height.



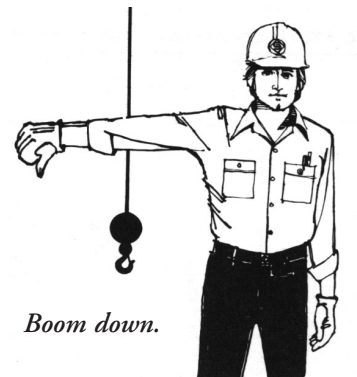
Swing to there.



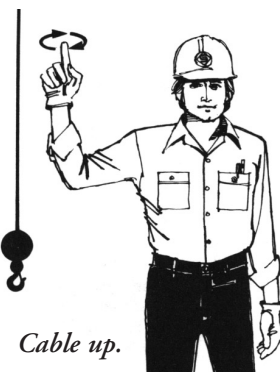
Hoist slowly.



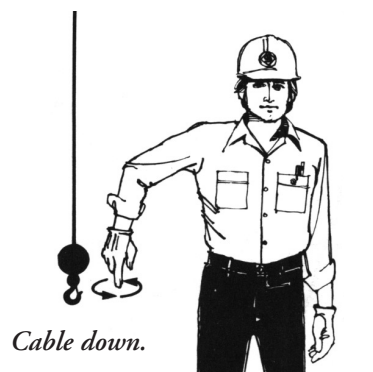
Boom up.



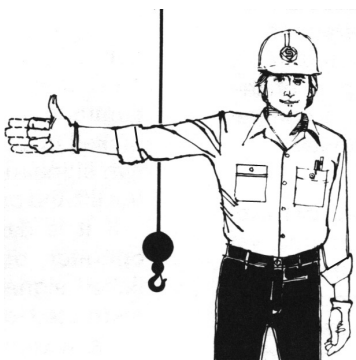
Boom down.



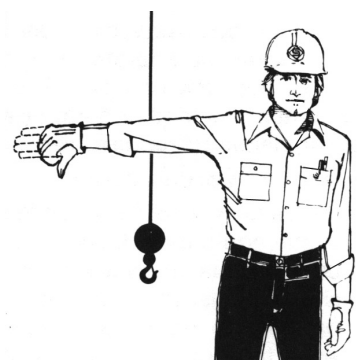
Cable up.



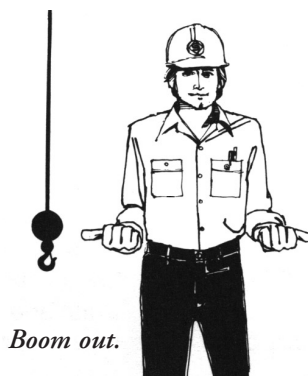
Cable down.



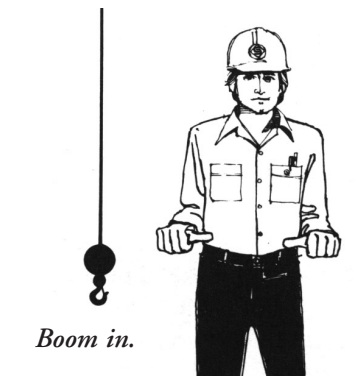
Boom up, cable down (flex fingers).



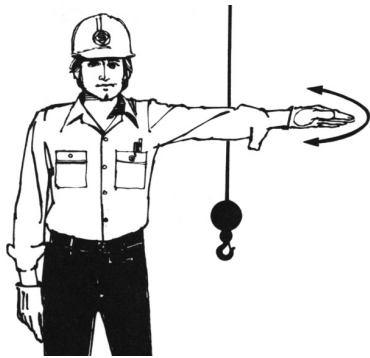
Boom down, cable up (flex fingers).



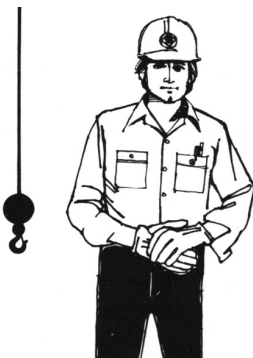
Boom out.



Boom in.

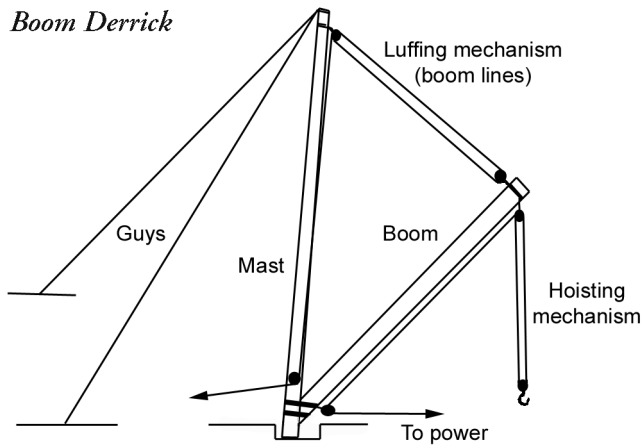


Stop. Palm down, move hand laterally.

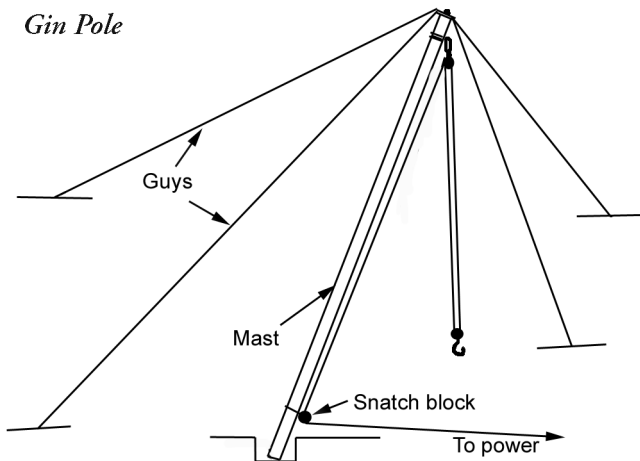


Dog everything.

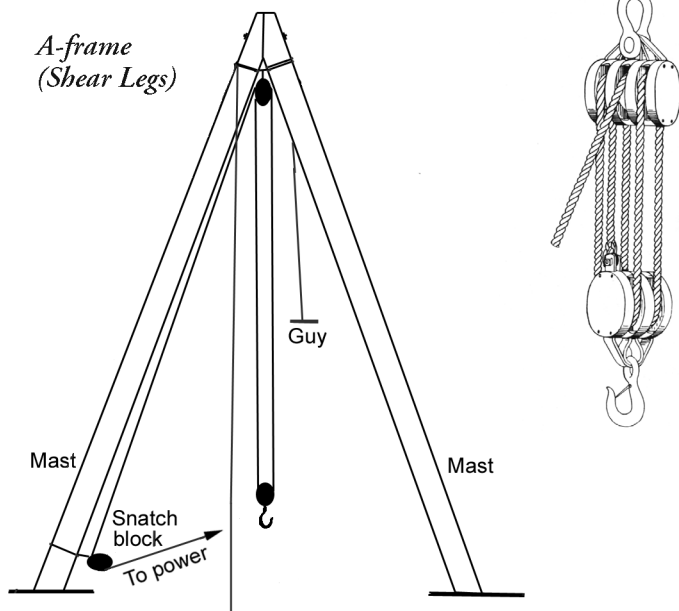
Boom Derrick



Gin Pole



A-frame (Shear Legs)



tual pile, and orient the bents correctly. With a crane raising, this is not critical (bents can be swung in midair), but the less you have to move the bent and rotate the crane the better. Make sure that you will have enough clearance to raise the later bents after the earlier ones go up; sometimes this requires that the last bent or two be hanging off the deck.

In a hand raising, the bents are unlikely to include any roof framing, but you'll want to stagger them so that the feet of the posts are close to their final locations and can drop right into their mortises.

Before beginning to work on the deck, make sure all safety precautions are considered. Install guard rails where serious falls could occur, and cover openings in the deck stoutly enough so people can walk and work over them. When assembling the first bent, you will want to block it up off the deck at numerous points to allow straps, clamps and hands to get underneath. The pieces are assembled with the help of a commander (or beetle), a large wooden mallet used to pound on a face of the timber that won't be visible (use a pad to protect show faces of a timber). To help draw the joints up tight and rack an assembly slightly to bring it into square, straps and comealongs or ratchet straps (also good for securing shipments on trailers) might be used and may stay on the bents during the raising. Be sure to protect the edges of timbers, especially softwoods, with heavy cardboard or plastic corners, lest the straps bite and crush the fibers.

Pegging technique varies considerably among timber framers. Some workers tightly draw together their bents with the peg holes predrilled only in the mortised pieces, then mark the tenons for center through the peg holes and take the bent apart to drill the hole through the tenon, recentered slightly offset (usually about an eighth) toward the shoulders of the joint. When eventually pegged with a tapered pin, this drawbore will cause the reassembled joint to draw up tight and remain so to some degree as the timbers shrink. (See article on the history of drawboring, page 22.)

Other workers leave the bent assembled and clamped and, after inserting the drill in the hole in the mortised piece (from each side when possible), tilt the drill toward the shoulder of the joint to drill through the tenon. This practice is said by its practitioners to accomplish the same purpose as drawboring but with less effort.

Still other framers, working by measure alone, predrill for the drawbore in both the mortise and the tenon before assembling. Drawboring pulls the joinery up tight, and with a lot of people supporting an assembly during a hand raising, all but eliminates the need for straps and comealongs to hold a bent together as it's being lifted. But beware of racking or twisting loads that joints cannot well resist, and never rely on a peg alone to hold a joint together during the lift; if gravity or people are not keeping an assembly in plane, apply a ratchet strap or comealong.

Assuming the joints all fit well and have been predrilled for drawboring, the bent can be pegged off. If you're raising the frame for a client, it's a nice touch to offer the first pegs to be driven by family and friends. If more bents are to be assembled on top of this one, block them up as well to allow pins to be driven through without damaging the assembly below and, of course, to allow access for straps. For more tips on preparing the bents for raising, see Grigg Mullen's raising an rigging article on page 10.

At top left, a boom derrick with two guys, used to lift a load and change its lateral position. At middle left, a gin pole with four guys (minimum three) and a two-part lift tackle. If a gin pole or a derrick is not fastened to an immovable object, but is out in the open as shown, it should be set in a shallow hole (somewhat exaggerated here). At left, shear legs with two guys (must run perpendicular to the plane of the legs), best for lifting straight up. At near left, four-part block and falls (or tackle), standing block above, traveling block below.



Spike Baker



Jim Buck (all)



Above, a purlin tree is flown in using a spreader bar; crew on staging will remove and drop in the purlins one by one. Above middle, a complete first-floor deck is rigged to avoid hinging on sill joints, and flown in to sit on the foundation and the basement posts and braces. Note tag line at lower right corner, to control the load in rotation. Above right, deck in place, the first bent (likewise tension-rigged to prevent hinging at its vulnerable joints) is flown in to drop into sill mortises. At right, box has been completed and pinned off; post and collar assemblies have been installed and half the roof frame, prefabricated on the ground and again carefully rigged to stay in plane, is being flown in to land on the post tops and collar tenons.



ASSEMBLY EQUIPMENT. Rope is essential at any raising. Tag lines are frequently attached to any bent or piece being lifted by the crane, to keep the object from swinging or rotating and to help guide it into place. Rope is also *reeved* through blocks (pulleys in a frame, shown on previous page) to produce tackle for lifting or pulling with mechanical advantage. Most rope used for timber frame raisings is of natural or synthetic fiber (not wire), and a good knowledge of splicing, tying knots, bends and hitches, and assembling tackle is advantageous, especially at hand raisings. See Resources for good books on rope work.

The most ubiquitous type of strap at a raising is the polyester round endless sling. These are attached to the hooks of comealongs to draw assemblies up tight. They are color coded as to their lifting capacity, with purple, green and yellow being the most commonly used and also the lowest rated (the higher rated straps are rarely needed in timber framing). The stronger ones may also be used for lifting assemblies, but this is equally often done with heavy-duty flat nylon web straps up to 3 in. wide. Ratings are given in the catalogs. Various lengths are available, but an assortment of 4-footers and 6-footers ought to handle all your needs. They can be choked together to form longer slings.

Ratings also vary according to the hitches used to secure the load. The basket hitch has twice the capacity of the vertical hitch, but simple loads are free to slide. The choker hitch has the least capacity, but is also the most widely used since it can roll a timber needing a different face up, and it keeps a timber from rolling once the lift is in the air. It resists slipping along a beam and it also can hold irregular or unbalanced loads securely.

Comealongs, hand-operated winches with 6- to 10-ft. cables

(sometimes longer) and hooks on each end, are generically known as wire rope ratchet pullers or hoists, and some timber frame companies use dozens at each raising. You should get versions fitted with a pulley on the cable so you can secure the hook back to the body and get a double mechanical advantage (but with only half the length). Comealongs range widely in quality and materials, and it's well, if you can, to examine the ones you plan to buy. An assortment of shackles is also desirable for securing straps to hooks and each other.

Other equipment needed for the raising includes a supply of dimension lumber for strongbacks, blocking, temporary bracing and other purposes, and 16d or 20d duplex (double-headed) nails for fastening the temporary members.

SAFETY EQUIPMENT. Raising doesn't need any additional drama to add to its appeal, but it's arguably the most dangerous part of timber framing. The similarities to steel erection become most evident when the raising crew scrambles around the roof members as the frame nears completion. Rafterless bent and wall systems that allow you to install the floor joists early in the raising sequence will be safer and more convenient, especially for the beginner who doesn't have a lot of raising experience or rigging equipment.

Stationary or rolling scaffolding can be of some help, but often the work is not in one place long enough to make its use practical. For complex jobs with a lot of work up high, it may be a worthwhile investment. Ladders are the tool of choice for getting up and down the frame and providing quick, movable access. Scaffold-grade planking is good for providing a working surface on upper

floor joists. Scissors-lifts and extendable boom lifts can be used as long as one remembers not to hang onto a moving timber as it swings by (equally true when one is standing on a ladder). I've been to many raisings where budget or other considerations prevented hiring a crane or scaffolding, but local contractors or the facility itself had this other gear.

The US Occupational Health and Safety Administration requires fall protection if one is working only a short distance off the ground—fall arrest devices such as body harnesses and lanyards clipped to structural members or lifelines, but these could also include safety nets. In practice, our trade is aligned with the steel industry where mobility is required. Climbing around unprotected is acceptable to OSHA if there is a written company policy to that effect, a restricted access zone identified and enforced by an appointed safety officer, and if the crew is made aware of acceptable procedures and policies and participates in an established company safety training program. Fall protection is a developing area in timber framing, and the Guild is committed to increasing awareness of the issues involved. (See the Guild newsletter *Scantlings* 92, August-September 2002, for more information.)

Finally, make sure that a good first-aid kit is on hand at the site and that people know where it's kept. Find out where the nearest hospital is and how to get there. Have a phone on site if possible, and keep the crew well fed, hydrated and protected from the sun.

THE last piece of material to go on the frame is the wetting bush, in this country usually a small sprig or branch of an evergreen, or perhaps of the species from which the frame is made. The wetting bush is nailed to the highest point of the roof when the frame is complete. (See upper photo, page 4.) The origins of this tradition are murky—some say the wetting is a libation owed to the workers by the client—but today it signifies the roots of the frame, its stability and endurance. It might also commemorate the contribution of trees to the lives that will flourish within the house. For the timber framer, it's a way to give thanks for a safe and successful raising.

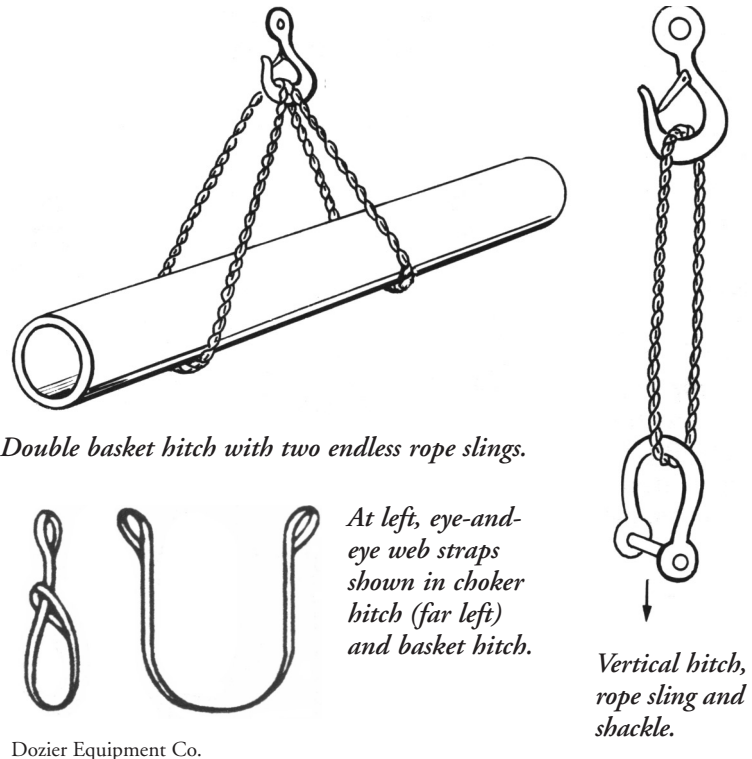
—WILL BEEMER

Resources:

Grainger & Co.: 888-361-8649, www.grainger.com
 MSC Industrial Supply: 800-645-7270, www.mscdirect.com
 McMaster-Carr: 732-329-3200, www.mcmaster.com
 These national companies stock material-handling tools and equipment, including slings, ratchet pullers, straps, rope and shackles. Local industrial hardware houses may also offer such equipment where you can see it. For examples of comealongs, go to www.irhoist.com and go to www.spanset-usa.com for examples of slings.

Books:

Timber Frame Houses, Taunton Press, Newtown, Ct., 1992. See "Solo Timber-Raising" and "Raising Heavy Timber."
 D. E. Vickie, *Rigging Manual*, Construction Safety Association of Ontario, Toronto, Ontario, 1975. Great book on rope, slings, rigging and reeving.
 W. E. Restage, Lindley R. Higgins and Joseph A. MacDonald, *Handbook of Rigging for Construction and Industrial Operations*, McGraw-Hill, New York, 1988. Rigging machinery, accessories, safety, scaffolding and rigging engineering.
 Resource Systems International, *Rigging for Commercial Construction*, Reston Publishing, Reston, Va., 1983. Rigging, cranes, derricks and a good glossary of terms.
 Ronald G. Garb, *IPT's Crane and Rigging Training Manual*, IPT Training and Publishing, Edmonton, Alberta, Canada, 1991 (www.iptbooks.com). Manual for riggers and crane operators.
 Tedd Benson, *The Timber-Frame Home*, Taunton Press, Newtown, Ct., 1988. Details on foundation design, deck preparation, enclosure systems.

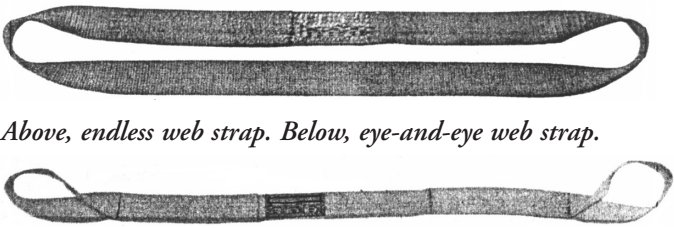


Double basket hitch with two endless rope slings.

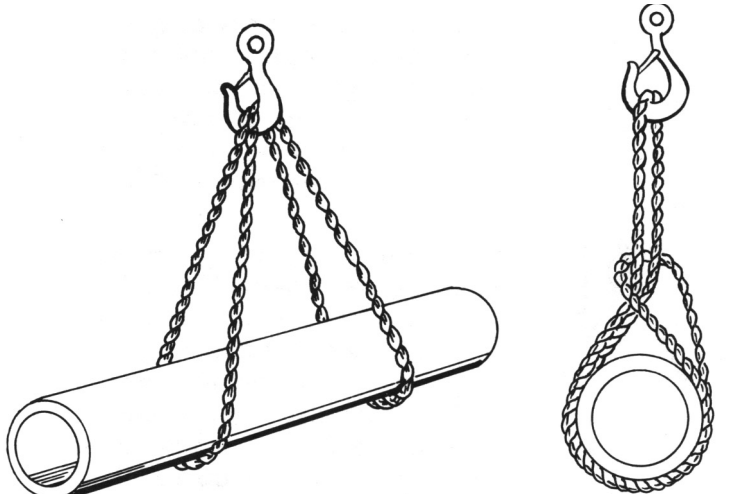
At left, eye-and-eye web straps shown in choker hitch (far left) and basket hitch.

Vertical hitch, rope sling and shackle.

Dozier Equipment Co.



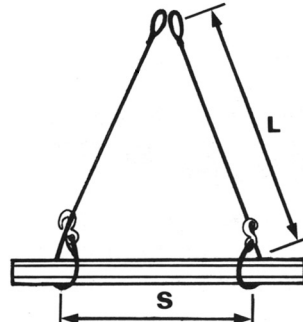
Above, endless web strap. Below, eye-and-eye web strap.



Double basket hitch with one endless rope sling.

Choker hitch with endless rope sling.

Construction Safety Association of Ontario



Most lifts at a raising use two slings, and the safest hitch is the choker (shown above right and at left, with rope slings). To avoid excessive load in the slings, the angle between them should not exceed 90 degrees. Put another way, the sling length L should be greater than the distance S between the hitch points.

Raising Calculations and Prep

CALCULATION OF FRAME WEIGHT. As simple as it sounds, the total weight of a frame assembly is the sum of the weights of the individual pieces in that assembly. So it's possible to estimate the weight of a bent by estimating the weight of each timber in that bent and then adding up all the weights. Further, the weight of a timber is directly related to its volume. A timber's weight can be estimated by calculating its volume and then multiplying that volume by the appropriate unit weight for the wood species at a certain moisture content:

$$\text{Length} \times \text{Width} \times \text{Depth} = \text{Volume}$$

$$\text{Volume} \times \text{Unit Weight} = \text{Weight}$$

The one trick is to be sure the measurements are all in the same units. Lengths should all be in either inches or feet, unit weights in pounds per cubic inch (lb/in³) or pounds per cubic foot (lb/ft³). As long as the units are consistent, the answers will be accurate.

To start the process, let's calculate the weight of the girt in the model bent (Fig. 1). The girt is an 8x8 timber connecting two 8x8 posts spaced 12 ft. outside to outside. The length of the girt should be taken as the length from shoulder to shoulder along the centerline of the timber. (The weight of the tenons will be included in their receiving members, the posts.)

Converting to inches for consistency, the length of the girt is then 144in - 8in - 8in, or 128in. The volume of the timber, Length×Width×Depth, is then 128in × 8in × 8in, or 8192in³. As most unit weights are given in lb/ft³, it will now be easier if the timber volume is converted into cubic feet (ft³). One cu. ft. is the volume of a box 1 ft. to a side: (1ft)(1ft)(1ft) or (12in)(12in)(12in). So 1ft³ = 1728in³. The volume of the timber in cu. ft. is then 8192in³ × 1 ft³ ÷ 1728in³, or 4.74ft³.

From Dr. Bruce Hoadley's book, *Identifying Wood* (Taunton Press, 1990), we find that white oak has a unit weight when wet of approximately 55 lb/ft³. The weight of the bent girt (Volume × Unit Weight) is then (4.74ft³)(55lb ÷ ft³), or 260 lb.

These calculations can be set up easily in a spreadsheet. Table 1 shows the calculation of the total weight of the bent. The completed spreadsheet gives the weight of each individual timber and the total weight of the bent. In this case, the bent weighs approximately 1638 lb. Note that accuracy to a single pound is a snare and delusion. This is an estimate.

Timber	pcs	Lgth (in)	Width (in)	Depth (in)	Vol (cu in)	Vol (cu ft)	Unit Wt (lb/cu ft)	Wt of 1 pc (lb)	Wt of all pcs (lb)
girt	1	128	8	8	8195	4.74	55	261	261
post	2	158	8	8	10112	5.85	55	322	644
rafter	2	119	8	10	9520	5.51	55	303	606
brace	2	45	4	6	1080	0.63	55	34	68
collar	1	78	4	6	1872	1.08	55	59	59
Total weight of bent in lbs =									1,638

TABLE 1. SPREADSHEET OF MEMBER WEIGHTS.

CALCULATION OF FRAME CENTER OF GRAVITY. The center of gravity (CG) of an object is the imaginary point through which the total weight of the object would act. Our bent girt just described is a timber of constant section. If

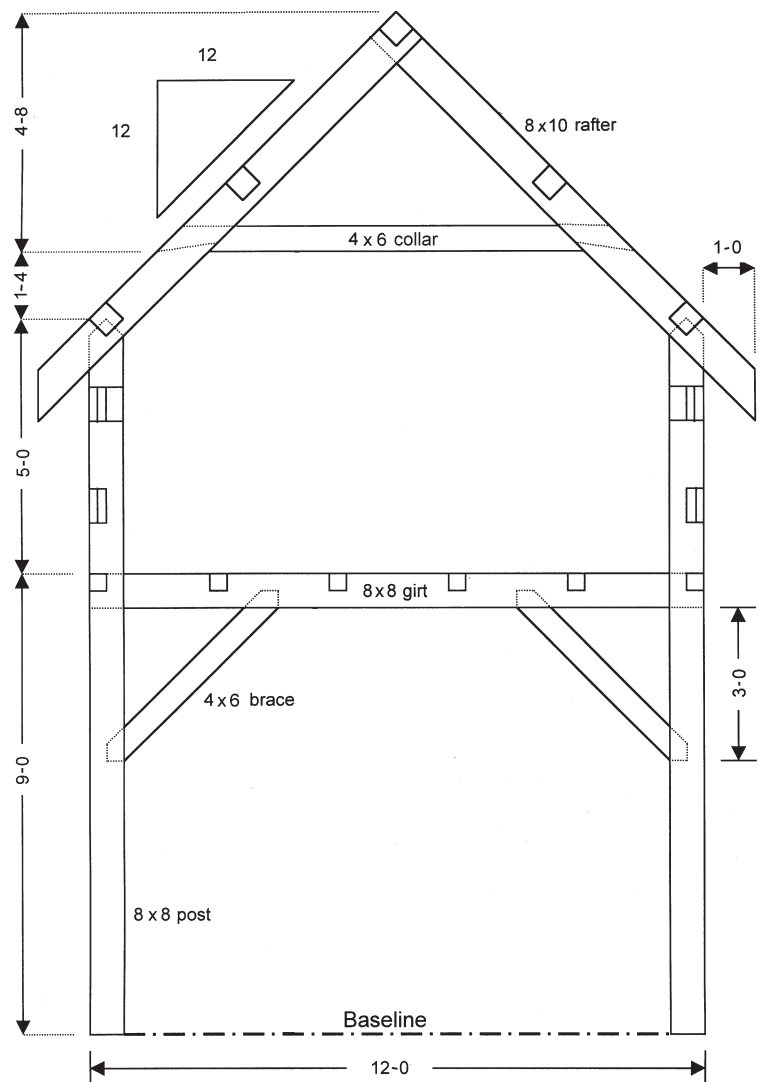
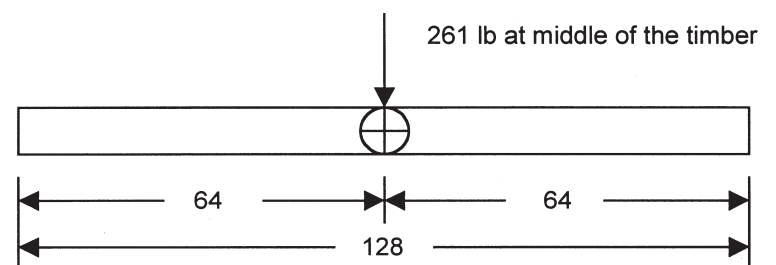


FIG. 1. MODEL BENT FOR WEIGHT, CENTER OF GRAVITY AND LIFTING CALCULATIONS. WOOD SPECIES IS UNSEASONED WHITE OAK. TIMBERS SIZED TO FULL DIMENSION.

you were to put a roller under this timber, it would balance at its middle, since the CG within the timber would be just over the center of the roller (Fig. 2). Let's take the idea a little further and stand an imaginary 10-ft. 8x8 next to an imaginary 14-ft. 8x8 (Fig. 4). Common sense would indicate that the vertical center of gravity of the two timbers combined would be somewhere between the centers of gravity of the two individual timbers.



⊕ = Center of Gravity

FIG. 2. CENTER OF GRAVITY OF BEAM OF UNIFORM SECTION.

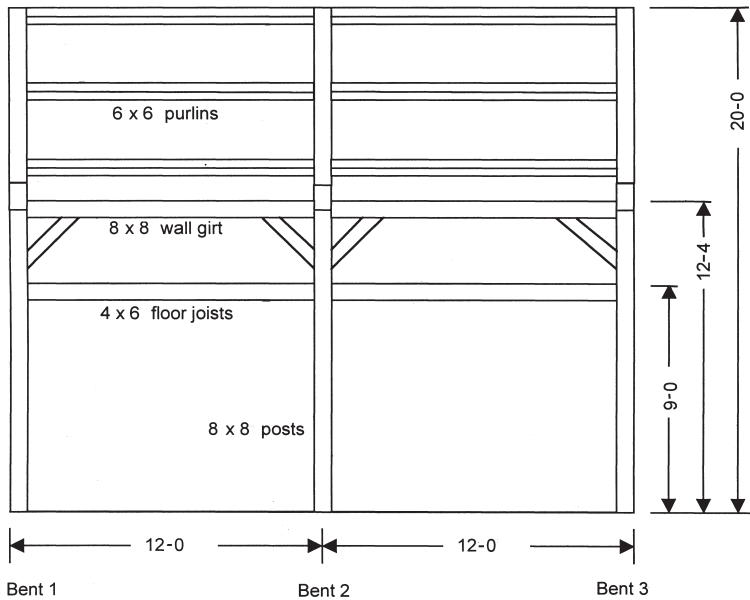


FIG. 3. ELEVATION OF A THREE-BENT MODEL FRAME.

ber weights in our model bent have already been calculated. Likewise, the total weight of the bent is already known. All that is needed is the height of the center of gravity of each timber above the baseline. A spreadsheet again facilitates the calculation:

Timber	pcs	Weight of one pc (lb)	Weight of all pcs (lb)	Height of center above Baseline (in)	Weight x Height
girt	1	261	261	104	27,144
post	2	322	644	79	50,876
rafter	2	303	606	191	115,746
brace	2	34	68	84	5712
collar	1	59	59	187	11,033
Total of Weight x Height (in-lb) =					210,511
Total Weight (lb) =					1638

TABLE 2. SPREADSHEET OF CENTERS OF GRAVITY OF MEMBERS.

$$\text{Bent CG is then } 210,511 \text{ in-lb} \div 1638 \text{ lb} = 128.5 \text{ in}$$

The center of gravity of the bent is about 128½ in. above the baseline. That means that the total weight of the bent, about 1638 lb., is acting at a point 10 ft. 8½ in. above the post bases, or about midway between the girt line and the top of the wall.

CALCULATION OF LOADS IN THE LIFTING TACKLE.

If a crane line or block and tackle were attached to the bent at its center of gravity, a vertical lifting force equal to the weight of the bent would be required to lift it off the ground. With a crane, a vertical lifting force is easily applied: position the end of the boom directly above the center of gravity, drop the cable, hook to the bent and lift. As long as the bent weight is below the safe working capacity of the crane, the lift is safe and the load in the cable is equal to the weight of the bent.

But if the lift point is not at the CG (and usually it isn't), the calculation of load is a bit more involved. In a hand raising, for example, the tackle is usually attached to a gin pole or another bent in the frame and can be far from the center of gravity of the bent. Indirect pull significantly increases the load in the lifting tackle.

The first problem is to calculate the vertical load required at the collar to lift the bent. Since the collar is above the center of gravity of the bent, the vertical load required should be less than the total bent weight. The problem (Fig. 5) is much like the force needed to lift a wheelbarrow, where the post bases are the wheel, the bent weight at the CG is the load in the wheelbarrow pan and the vertical lifting load is the lift on the handles.

When the bent just starts to lift, the product of the bent weight times the distance from the post bases to the CG is equal to the vertical lifting force times the distance of the attachment point above the post bases. In engineering terms, the sum of the moments around the post bases is zero. Moment is the product of a force

Mathematically, the vertical center of gravity of the two timbers can be found by multiplying the weight of each timber by the height of its CG above the baseline, adding up the answers and then dividing by the combined weight of both timbers.

Our 10-ft. timber weighs 245 lb. and its CG is at half the height or 60 in. above the baseline:

$$W \times H = (245 \text{ lb})(60 \text{ in}) = 14,700 \text{ in-lb}$$

Our 14-ft. timber weighs 343 lb. and its CG is at 84 in. above the baseline:

$$W \times H = (343 \text{ lb})(84 \text{ in}) = 28,812 \text{ in-lb}$$

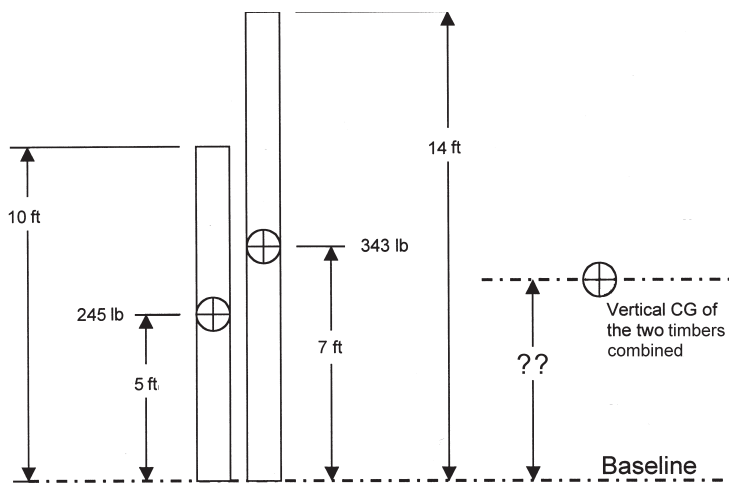


FIG. 4. COMBINED CENTERS OF GRAVITY FOR TWO TIMBERS.

The sum of Weight × Height for the two timbers is then 43,512 in-lb. The sum of Weight for the two timbers is 588 lb.

$$43,512 \text{ in-lb} \div 588 \text{ lb.} = 74 \text{ in. (6 ft. 2 in.) above baseline}$$

The process is the same for an entire bent. There are just more timbers involved, including horizontal and diagonal members. But since it is of uniform section, each timber in the bent can be treated as if its weight acted through its midpoint. The timber weight is multiplied by the height of the midpoint of that timber above the baseline. Then all the answers of Weight × Height are added up and divided by the total weight of the bent. The individual tim-

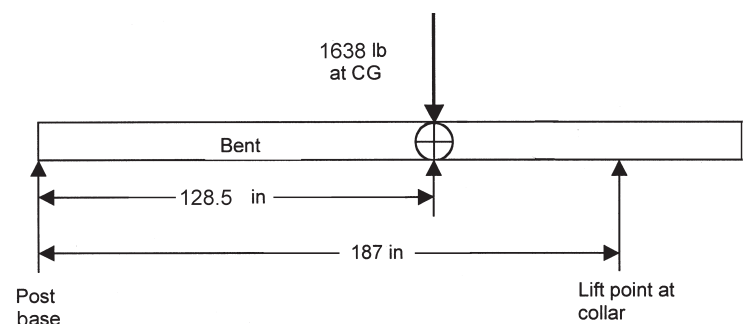


FIG. 5. DISTANCES FROM FULCRUM OF LIFT POINT AND BENT CG.

(bent weight) times its distance (height to CG) from a point (post base). When the bent starts to lift, the moment due to the weight just counteracts the moment due to the lifting force at the collar. The two moments are of equal magnitude. From Fig. 5:

$$(1638\text{lb})(128.5\text{in}) = (\text{vertical lifting force})(187\text{in})$$

$$\text{Vertical lifting force} = (1638\text{lb})(128.5\text{in}) \div 187\text{in}$$

$$\text{Vertical lifting force} = 1125\text{lb}$$

Let's now do calculations for a hand raising using a 15-ft. gin pole set vertically 5 ft. back from the post bases and a single set of block and tackle to raise the model bent (Fig. 6). The problem now becomes to calculate the loads that the 1125-lb. vertical load at the lifting point produces in the rest of the lifting system.

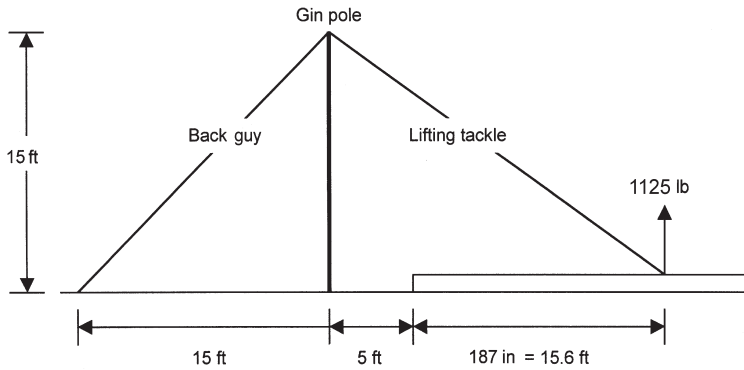


FIG. 6. GIN POLE LIFT DIAGRAM FOR CALCULATING LOADS.

To solve for the load in the tackle, it's possible to use similar triangles (Fig. 7). A triangle representing the vertical gin pole, the horizontal distance to the lift point and the inclined tackle has the same proportions as a triangle of the vertical lift load, the horizontal load along the bent and the inclined load in the tackle

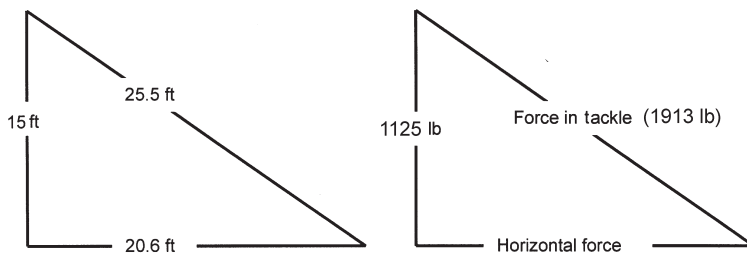


FIG. 7. CALCULATION BY METHOD OF SIMILAR TRIANGLES.

$$\text{Height of gin pole} = 15\text{ft}$$

$$\text{Horizontal distance} = 5\text{ft} + 15.6\text{ft} = 20.6\text{ft}$$

$$\text{Length of tackle} = \sqrt{(15\text{ft})^2 + (20.6\text{ft})^2} = 25.5\text{ft}$$

By similar triangles:

$$20.6\text{ft} \div 15\text{ft} = \text{horizontal force} \div 1125\text{lb}$$

$$\text{Horizontal force} = 1545\text{lb}$$

And:

$$25.5\text{ft} \div 15\text{ft} = \text{tackle force} \div 1125\text{lb}$$

$$\text{Tackle force} = 1913\text{lb}$$

The tension in the 45-degree back guy can also be calculated by the same method (Fig. 8 above right). The lift tackle applies a horizontal force of 1973 lb. at the tip of the gin pole. The horizontal force is resisted by the tension in the angled back guy. Thus:

$$21.2\text{ft} \div 15\text{ft} = \text{guy force} \div 1545\text{lb}$$

$$\text{Guy force} = 2184\text{lb}$$

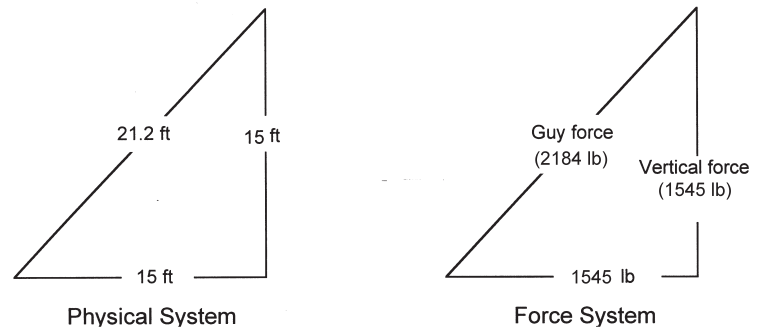


FIG. 8. CALCULATION BY SIMILAR TRIANGLES OF TENSION IN A GUY.

The lift tackle also produces a vertical force on the guy of 1973 lb. So, the overall forces in the lifting system are as follows:

$$\text{Tension in the lift tackle} = 1913\text{lb}$$

$$\text{Tension in the back guy} = 2184\text{lb}$$

And compression in the gin pole is the sum of the vertical forces from the tackle and the back guy (1125lb + 1545lb):

$$\text{Compression in the gin pole} = 2670\text{lb}$$

One more question. Is it possible to safely raise the frame by hand using one set of four-part block and tackle (see illustration at bottom of page 7) as the lifting tackle? The two-sheave blocks sized for 5/8-in. rope available for the lift have a safe working load of 3000 lb. The safe working load is greater than the tackle load of 1913 lb., so the blocks themselves are up to the job.

The nominal load in the rope will be 1913 lb. divided by the four parts (the lines between the blocks), or 478 lb. Braided 5/8-in. nylon rope available for the lift has a breaking strength of 7000 lb. Using a factor of safety of 5:1, the rope has a safe working load of 1400 lb. At 478 lb., the actual load in the rope will be well below the safe working load, so the rope is acceptable for the lift.

Finally, how many people are needed to exert 478 lb. of pull on the raising line? A safe estimate is that one person can comfortably exert 50 lb. of pull on a rope. Using that figure, the number of people required is 9.6 people. Looks like a minimum of 10 people on the pull line. Finding the 0.6 person would be difficult, and the sight would probably prevent the other nine from pulling.

PREPARATION OF THE FRAME FOR RAISING. During the raising, it's highly desirable that the frame fit together well and that the lifting process not destroy it. Once the raising starts, there should be no surprises about the fit of the joinery. Completely prefitting the frame assemblies before the raising eliminates unexpected problems. Assemble the sections on a flat surface and ensure that all the joints fit, the frames are square and the assemblies dimensionally correct. Connecting pieces not accounted for in the major preassemblies for the crane should be individually tested in their joints. Adjusting a thick tenon or a shallow mortise is far easier and safer on the ground than in the air.

During a raising, the joinery will see higher stresses than it ever will in service. Also, the stresses will be in directions that the joinery was not intended to resist. Examine each assembly and determine if additional bracing is needed. For example, the lifting system for the model frame is designed to pull at the level of the collar, which puts extreme stress in the post-to-rafter joint. If the joint is not reinforced, the frame could hinge at that joint and fail. The joint can be reinforced with strongbacks such as 4x6 timbers or built-up sections of dimension lumber (include their added weight in the lift load). The strongbacks run from near the post bottoms across the bent girt and end at the rafter-to-collar joint (Fig. 9).

Heavy-duty ratchet straps work well for attaching the strongbacks to the frame. Wrap the strap several times around the frame member and the strongback, and then tighten it securely. In this example, the strongback should be strapped at its crossing with the bent girt. As the frame tries to hinge at the rafter joint, the ends of the strongback will press against the rafter and the post while the strap causes the strongback to lift the bent at the girt level, keeping the bent in plane. Metal clamps should not be used to attach strongbacks. Clamps can loosen or bend and open up, thereby falling off in the middle of the lift, with undesirable consequences.

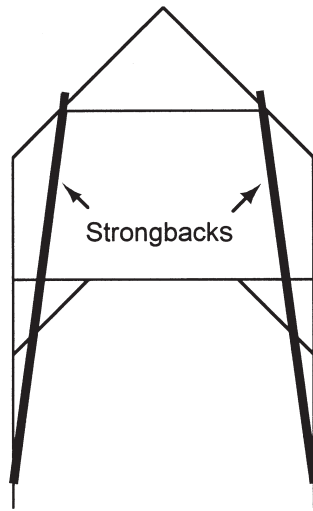


FIG. 9. STRONGBACKS FITTED TO ASSEMBLY TO PREVENT UNWANTED HINGING.

For the rigging to work properly, it must remain in place at its attachment points on the bent. The bent also must be constrained so that it finishes the lift in the proper position. Rope (or rigging) only works in a straight line. If that line is not perpendicular to its attachment point, the tension in the rigging will try to move the attachment point along the timber. Slings will slip along the timber if they are not physically restrained. In our model bent, the sling would try to slip down the rafter as the bent came up, and so it should be choked around the rafter at the middle purlin pocket so that it will be restrained by pulling into the pocket. If such an anchor point is not available, blocks can be nailed to a hidden face of the timber to secure the rigging.

In the calculation of the lifting forces on the bent, we determined a horizontal force of almost 2000 lb. Because of that force, at the start of the lift the bent will try to slide horizontally along the deck. The post feet must be blocked to prevent that movement and to position them so that they drop into their mortises as the bent becomes vertical. For the first bent, these kicker blocks can be braced to stakes in the ground, clamped to the deck or otherwise secured. For interior bents, the kickers can be braced to the posts of the previous bent.

DEVELOPING A RAISING SCRIPT. The easiest way to avoid confusion and errors during a raising is to think through the whole process beforehand. This procedure is important enough that it warrants writing a formal raising script. The people leading the raising should sit down with a set of frame plans, talk through the necessary steps and record them. The idea is to have all the necessary equipment at hand for each step of the raising. That way, no one is frantically searching for something as the crew tries to stabilize the piece of the frame that has just been raised. The general raising sequence for our three-bent frame (Fig. 3), which has drop-in purlins and joists, would be to set the gin pole, raise bent one, add wall girts between bents one and two, raise bent two, add wall girts between bents two and three, then raise bent three; finally, with the bents connected, drop in the purlins and drop in the joists. Following is the model raising script.

1. Raise Bent 1

- Set the gin pole
- Assemble the bent on the deck with the post feet positioned at their appropriate mortises
- Install the kicker blocks for the post feet
- Attach the strongbacks to the bent

- Attach the rigging between the gin pole and the bent
- Attach a safety haul-back line to the top of the bent
- Attach 2x4 or 2x6 braces at sides of posts to brace the bent once it is raised. Nail braces for now to outside of bent with one 16d (or 20d) duplex nail so braces can rotate into position as the bent is raised
- Set a commander near the post bases for positioning the posts as the bent approaches vertical
- Set a level near the post bases
- Provide pike poles
- Clear the deck of all unnecessary material to avoid tripping
- Recheck the rigging
- Stop and explain the lift to the crew
- Raise the bent
- Using the level, plumb one post and nail off the 2x4 brace
- Plumb and brace the second post
- Add two additional 16d nails at each end of the braces
- Remove strongbacks
- Remove haul-back rope

2. The wall girts and outer floor joists between bents one and two are fitted in preparation for raising Bent 2 (see Fig. 3)

- Place the girts with braces in Bent 1
- Using dimension lumber, prop the other ends of the girts at the correct height to mate with Bent 2
- Using comealongs, tie the girts safely back to Bent 1
- Repeat the procedure for the outer floor joists

3. Raise Bent 2

- Reposition gin pole and lifting tackle (or lift off Bent 1 with the installation of appropriate back guys)
- Install kicker blocks between Bent 1 and Bent 2 post bases
- Position Bent 2 on the deck against the kicker blocks
- Attach the strongbacks to the bent
- Attach the rigging between the gin pole and the bent
- Attach a safety haul-back line to the top of the bent
- Position braces for installation as Bent 2 is raised
- Hang comealongs from slings near ends of Bent 1 bent girt
- Attach matching slings near ends of Bent 2 bent girt
- Extend comealong cables so they will easily reach Bent 2
- Position a level and pike poles at the ready
- Recheck the rigging and explain the lift to the crew
- Begin raising Bent 2
- As bent approaches vertical, hook up to comealongs
- Insert wall girt braces
- Bring bent closer to vertical and engage brace and girt tenons
- Use comealongs to pull Bent 2 into position
- Check for plumb and peg off Bents 1 and 2
- Bents 1 and 2 now form a braced, stable assembly

4. Repeat Steps 2 and 3 to Raise Bent 3

5. Install Purlins

- Use a rolling stage (safest way) to install purlins
- Position stage, feed purlins up to people on the stage and install
- Alternatively, set purlins singly using the gin pole

6. Install Floor Joists

- Set what floor joists are possible from the stage
- Remove stage or decrease its height
- Set remaining joists from ladder or lowered stage

7. Last

- Fasten the wetting bush
- Take picture of entire crew on the frame

—GRIGG MULLEN

Grigg Mullen teaches engineering at the Virginia Military Institute. He has served on the Guild's Board of Directors and been a crew leader on many Guild projects, as well as helping to teach the Guild's Raising and Rigging course. He recently worked on the development of the Guild's Apprenticeship Curriculum.

Index to TIMBER FRAMING 1-66 October 1985-December 2002

Subjects

Apprenticeship
Architectural Design
Architectural Design Contests and Expositions
Australia
Automation
Barns
Belgium
Biographies and Profiles
Book Reviews
Bridges
Business Council
Business Management
China
Churches
Compound and Roof Joinery
Culture and Cross-Culture
Denmark (see *Scandinavia*)
Design (see *Architectural Design*)
Dismantling
D-I-Y
Durability (Earth, Wind, Fire, Water)
Egypt
Enclosure Systems
Engineering (see *Timber Design & Engineering*)
England
Finland (see *Scandinavia*)
Forest Resource
Framing Techniques
France
Germany
Guild Affairs: Miscellaneous
Guild Board Meetings
Guild Conferences
Guild Workshops
Heating, Ventilating and Air Conditioning
Historic Framing (see also *Preservation*)
Holland and Dutch America
Humor
Iceland
Indexes
Japan and Korea
Layout Techniques
Log Building
Norway (see *Scandinavia*)
Obituaries
Pegs and Pegging
Poland
Preservation and Reconstruction
Profiles (see *Biographies*)
Raising and Rigging
Recycling
Romania
Russia
Scandinavia
Scotland
Sharpening
Southeast Asia
Sweden (see *Scandinavia*)
Timber Design and Engineering
Tools
Trébuchets and Ballistas
Windmills
Wood Science

Issue Number by Date

1: Oct 85	23: Mar 92	45: Sep 97
2: Jul 86	24: Jun 92	46: Dec 97
3: Mar 87	25: Sep 92	47: Mar 98
4: May 87	26: Dec 92	48: Jun 98
5: Aug 87	27: Mar 93	49: Sep 98
6: Nov 87	28: Jun 93	50: Dec 98
7: Feb 88	29: Sep 93	51: Mar 99
8: May 88	30: Dec 93	52: Jun 99
9: Aug 88	31: Mar 94	53: Sep 99
10: Nov 88	32: Jun 94	54: Dec 99
11: Feb 89	33: Sep 94	55: Mar 00
12: May 89	34: Dec 94	56: Jun 00
13: Aug 89	35: Mar 95	57: Sep 00
14: Nov 89	36: Jun 95	58: Dec 00
15: Feb 90	37: Sep 95	59: Mar 01
16: May 90	38: Dec 95	60: Jun 01
17: Sep 90	39: Mar 96	61: Sep 01
18: Dec 90	40: Jun 96	62: Dec 01
19: Mar 91	41: Sep 96	63: Mar 02
20: Jun 91	42: Dec 96	64: Jun 02
21: Sep 91	43: Mar 97	65: Sep 02
22: Dec 91	44: Jun 97	66: Dec 02

Index by Subject

(Index by Author, page 18)

Apprenticeship

Apprentice Program Underway, 17:10
Apprenticeship, 24:8
Len Brackett on a Japanese Apprenticeship, 5:6
My Lunch With Helmut and Sebastian, 59:18
Notes & Comment (Cowco program), 57:2
Topics: A Student's Journey, 61:2

Architectural Design

Are Timber Frames Well Designed? 9:7
Baker House, Michigan, 37:8
Books: *Dwelling, Seeing & Designing*, by David Seamon, 29:2
Earth to Spirit, by David Pearson, 39:2
The Old Way of Seeing, by Jonathan Hale, 41:2
Booneville, California, House, 37:8
Campbell Residence, 51:5
Caverly House, Petersburg, New York, 21:6
Collaborative Workshop Planned, 11:10
Compact Design in New Hampshire, 59:4
Dartmouth Skiway Base Lodge, 63:32
Derrick House, New York State, 32:9
Design, Framework for Craft, 17:4
Design Workshop Reviewed, 11:8
Dining Rotunda in Syracuse, 38:4
Dog House, Pennsylvania, 42:15
Dwelling, Seeing and Designing, by David Seamon, 29:2
Earth to Spirit, by David Pearson, 39:2
Edmund Burroughs House, 37:6
Ervey House, Massachusetts, 32:10
Ethical Design and Construction, 33:11
Fukagawa School, Nagano, Japan, 32:11
Gazebo in Philadelphia, 36:10
Geometer's Delight, 11:5
Habitat Designs Revised, 11:3
Hahn House, Ontario, 32:8
Hayter House, Ontario, 18:12
House and Studio, Minnesota, 26:8
How to Plot a Site Plan, 23:3
Hubbards, N.S., Waterfront Studio, 51:5
Hulalai Bridge and Walkway, 51:5
Illinois House, 42:15
Is Place a Journey? 24:4
Japanese Tea House in Maryland, 51:4
Katherine Cartrette Discusses Methods, 13:13
Lake House, Gloucestershire, 21:7
Lancy House, Bainbridge Island, Washington, 21:8
Lawyer-Wellner House, New York State, 26:8
Learning from Sea Ranch, 43:12
Letters: Design, 21:2
(Light)-Framing American Culture, 31:3
Lost Nation Cabin, Lancaster, N.H., 42:15
Mackel House, Indiana, 18:12
Martha's Vineyard Horse Barn, 54:24
Modern House for Maryland Shore, 10:8
Nash House, Port Townsend, Washington, 17:10
1989 W. Conference, Design: Practice, 15:4
1989 W. Conference, Design: Theory, 15:4

Notes & Comment: *Asilomar 2000*, 60:2
Old Way of Seeing, by Jonathan Hale, 41:2
One Man's Castle, Bell-Tower, N.H., 26:9
Phelps House, New York State, 32:10
Pitch, Measure, Proportion, 9:3
Primer for Healthy House Construction, 20:4
Proportioning Systems and the Timber Framer, 18:8
Recent Work in Slide Show III, 5:5
Return to Order, 13:12
Rico House, Ontario, 18:12
Round Post, Square Beam Joinery, 41:6
Site Planning and Site Inventory, 26:5
Slide Show Second Opinion, 2:3
Susameisha, Kyoto, Japan, 42:14
Suzuki House, Osaka, Japan, 29:4
Timber Frame Foundations, 17:11
Timber Framing for Beginners
II. Ten Factors in Timber Frame Design, 62:1
Town House, Saltsburg, Pennsylvania, 37:8
Untimber Framing, Variations on the Heavy Frame, 12:4
Viewpoint for Wooden Architecture, 35:3
Wake House, Blanchard, Washington, 37:7
Westchester House, New York, 21:6
Western Conference Surveys Design, Joinery, Business
(*Timberline '88*), 11:4
What is Fine Home Building? 40:18
Whole House, 1:2
Wildcat Cliffs Fitness Centre, 21:7

Architectural Design Contests and Expositions

1990: Timbercraft Homes (Judith Landau), Riverbend (Martin Riley and Pascal Viel), Thistlewood (Chris Pickard), Northern Timberhouse (Alfredo Rico and Darryl Lane), 17:10
1991: Star Ridge Design (Michael and Joan Buzerak), Northern Timber Framing (Jeremy Lang), Creative Homes and Millworks (James Howard Fox), Carpenter Oak and Woodland (Roderick James), Timbercraft Homes (Judith Landau), 21:6
1992: The Timber-Frame Workshop (Dan Bartlett, Chris Madigan), New Energy Works (Jack Brower), Timberpeg (Janet Null, AIA), 26:8
1993: Michael Anderson, 29:4
1994: Thistlewood (Steve Buckle), Stephen Amstutz Woodworking (David Bryant), New Energy Works (Peter Reynolds), Ian Ellison, Yoshimoto Ringyo (Kimihito Miyasaka), Dennis Orre, 32:10
1995: New Jersey Barn Co., The Cascade Joinery (Jill Sousa), Gregory Smith, Riverbend (Rodney Pfothenauer), J-Squared (Chris Luthi), 37:6
1996: Michael Anderson, Garland Mill (Tom Southworth), Timberecture (Dennis Buttner), Creswell and Powell (Jim Collins AIA), 42:14
1997: *Eastern*: Whitefield Wetlands Study Gazebo consortium, Acorn Timber Frames, Blue Ridge Timberwrights (J. Edward Feher), 45:8.
Western: Timberworks (John Sullivan, Hill-Glazier), 51:5.
1998: *Eastern*: Daiku Woodworking (Peter Wechsler), Acorn Timber Frames (David Garrett), 51:4
1999: Cranston Timber Framing (Phil Regan), 54:24
2000: Poynton, Bradbury, Winter and Cole (John Tomlinson), 58:13
2001: *Western*: Big Timberworks, 60:32

Australia

D-I-Y Down Under, 58:18

Automation

Letters: Hands and Machines, 51:3
Timber Frame Nerds? 45:12
Topics: Eyes Wide Shut, Spar Wars, 53:2
Topics: Handwork, 47:3
Topics: King Ludd, or the Road Ahead? 49:2

Barns

Ancient Barn Surveyed (Harmondsworth), 7:6
Barn Dismantling, 31:8
Barn Symposium, 9:5
Barns of Roots America, by Richard Babcock, 33:3
Barns of the Genesee Country, by Daniel Fink, 8:6
Belgian Barns I, 60:24
Belgian Barns II, 61:20
Belgian Barns III: Ter Doest, 62:16
Cantilevered Dutch-American Barns, 43:8
Charlton Court Barn, a Medieval Frame, 34:4
Composite Massachusetts Barn, 36:4
Double-Cutting and Historic Scribe Framing, 40:16
Dutch Barn Wood Species, 46:8

18th-Century Ulster Co. Lap Dovetail Dutch Barns, 41:9
English Barns with Nailed Wind Braces, 47:14
Forebay Barn Origins Explored, 13:14
Forebay Floor Framing, 28:13
Framer's Journal: Hudson Valley Barns, 41:20
Genesee Barns, 9:5
Guide to Medieval English Tithe Barns,
by James W. Griswold, 55:24
Johannes Lawyer Barn, 12:6
Mammoth in Monmouth County, 24:13
Massachusetts Barns, 28:14
New World Dutch Barns, 28:12
Pennsylvania Barn in New Jersey, 48:5
Richard Babcock Discusses Early Barns, 2:3
Ross County Barns, 40:10
Silent Spaces: The Last of the Great Aisled Barns,
by Malcolm Kirk, 35:2
Taking Down Timber Barns, 32:4
Timber-Framed Barns of Carson Valley, 56:4
Topics: A Mammoth Lesson, 52:3
Traditional Farm Types of the Netherlands, 27:6
Two Ulster County Barns, 36:4
Variant Log Sweitzer Barns in Pennsylvania, 48:5
Wemple Barn, 24:8
Wilson Barn, 24:9

Belgium

Belgian Barns I, 60:24
Belgian Barns II, 61:20
Belgian Barns III: Ter Doest, 62:16

Biographies and Profiles

Board Candidate Biographies, 12:8
Cecil Hewett (brief obituary), 50:3
Culture (Len Brackett), 7:2
Holding the Timber Frame Industry Together
(Scott Northcott), 53:13
Len Brackett on a Japanese Apprenticeship, 5:6
Silhouettes:
Arch-Druid (Brendan Costello), 24:12
Hewer of Wood (Tim Berube), 26: 4
Hugh Lofting, 22:5
Mystery Man (Paul Martin), 18:4
Swords into Ploughshares (Tom Harris), 46:12
Visit with Jim Kricker, 54:10

Book Reviews

Architectural Technology up to the Scientific Revolution,
edited by Robert Mark, 38:3
Barns of Roots America, by Richard Babcock, 33:3
Barns of the Genesee Country, by Daniel Fink, 8:6
Brief Reviews: Bell, Kelley, Haupt, 32:3
Build a Classic Timber-Framed House, by Jack A. Sobon, 32:2
Colossus of 1812, by Lee H. Nelson, 42:2
Consumer Guide to Home Energy Savings, by Alex Wilson, 20:2
Dwelling, Seeing and Designing, by David Seamon, 29:2
Earth to Spirit, by David Pearson, 39:2
English Historic Carpentry, by Cecil Hewett (brief notice of
American reprint, with new drawing), 46:20
Guide to Medieval English Tithe Barns,
by James W. Griswold, 55:24
Historische houtconstructies in Nederland, by G. Berends, 43:2
Mechanical Marvels in the Age of Leonardo,
by Paolo Galluzzi, 47:2
Norwegian Wood: A Tradition in Building, by Jerri Holan, 40:3
Old Way of Seeing, by Jonathan Hale, 41:2
Pictorial History of Chinese Architecture, by Liang Su-Ch'eng, 11:3
Secrets of the Old Growth Forests, by David Kelly, 13:10
*Seeking Structure from Nature: The Organic Architecture
of Hungary*, by Jeffrey Cook, 48:2
Silent Spaces: The Last of the Great Aisled Barns,
by Malcolm Kirk, 35:2
Timber Construction for Architects and Builders,
by Eliot Goldstein with Stephen Smulski, 52:20
Timberframe, by Tedd Benson, 56:2
Timber Solutions Manual, by David W. Duquette, 45:2
Way of the Carpenter, by William H. Coaldrake, 23:2

Bridges

Bridge Design Competition Announced, 11:1
Bridge for Guelph, Ontario, 21:5
Bridge Triumph in Canada (Guelph '92), 25:1
Canadian Work Party (photos), 25:10-11
Colossus of 1812, by Lee H. Nelson, 42:2
Dropping 115,000 Pounds, 25:16
Engineering the Speed River Bridge, 25:12
Extinct Framing: Railroad Bridge Trusses, 44:4
Giddings Road Bridge, 40:10
Guelph Bridge Designed, 23:1
Guelph Bridge (panoramic photo), 25:8
Guelph '92, the Story of a Bridge, 25:4
Kicking Horse Bridge, 62:4
Long Two-Span Wooden Bridge Under Repair, 11:10
Organic Circles, 25:8
Problem of Long Timbers, 16:3
Romance and Symbolism of Covered Bridges, 40:8
Windsor-Cornish Repairs Proceed, 12:10

Business Council (TFBC)

Guild Notes & Comment: Timber Frame Business Council,
40:21
Letters: For Guild and Council, 46:2
Reflections on the Business Council, 45:11
Topics: Council Update, 51:2
Topics: Ontogeny or Phylogeny? 38:2

Business Management

Business Home Truths, 15:3
Business Roundtable, 59:16
Contracts and Estimating, 9:6
Crafting the Future of Our Craft: Paradigms and Principles, 26:13
From the Troops, 27:2
Hints on How to Run the Railroad, 11:7
Insurance, 22:9
Letters:
Class Envy, 28:2
Tedd Benson, 28:2
Tedd Benson Replies, 27:3
Marketing, 9:5
1990 W. Conference: Business Start-Up, 15:5
Plain Language Contracts, 40:4
Pricing the Work, 17:12
Pricing the Work II, 17:12
Pricing the Work III, 19:3
Promotion, 6:6
Restructuring for the Long Term, 56:18
SBA National Resource Development Plan, 21:14
Specifications, 20:5
System for Emergencies, 22:9
Timber Framing Business, 1:2
Topics: Council Update, 51:2
Topics: Eyes Wide Shut, Spar Wars, 53:2
Western Conference Surveys Design, Joinery, Business
(**Timberline '88**), 11:4

China

Chinese Traditional Framing, 16:8
Chinese Traditional Framing II, 17:8
Chinese Traditional Framing III, 20:8
Guild Notes & Comment: My Eastern Conference, 54:2
Pictorial History of Chinese Architecture,
by Liang Su-Ch'eng, 11:3

Churches

Central Moravian Church, 31:11
Ellesdie Chapel, 48:7
Erection of Church Steeples, 36:6
Guild Notes & Comment: My Eastern Conference, 54:2
Korean Pavilion in D.C., 65:4
Newbury Methodist Church, 31:10
St. Peter's Church, 40:9
South Berwick, Maine, Churches, 44:4
Tallest Timber Frame, 9:12
Vermont Church Roof Frame Reproduced, 3:3

Compound and Roof Joinery (see also *Layout*)

Cabildo Roof Goes Up One, Two, Three (photos), 24:10
Framing Systems, 1:1
German Roof Layout I, 33:14
German Roof Layout II, 34:10
Hip and Valley Framing, 17:6
Hip and Valley Framing II, 19:5
Hip and Valley Framing III, 21:15
Trig Guide for the Perplexed, 14:4

Culture and Cross-Culture

American in Russia, 30:12
Apprenticeship, 24:8
Belgian Barns I, 60:24
Belgian Barns II, 61:20
Belgian Barns III: Ter Doest, 62:16
Bonnie Trip to the Land of Chips, 50:4
Can a Building Heal a Community? 33:8
Craft as Myth in Modern Communities, 28:7
Crafting the Future of Our Craft:
Paradigms and Principles, 26:13
Culture (Len Brackett), 7:2
D-I-Y II, 17:2
Early Woodworkers in Massachusetts Bay, 54:16
1868-1873 Framer's Journal, 31:11
Framer's First Glimpse of Japan, 64:4
Framer's Notebook: Amulets, 33:13
Guild Notes & Comment: Economics, 31:15
Is Place a Journey? 24:4
Kitchen Notes from Dolly Copp, 42:8
Learning from Sea Ranch, 43:12
Letters:
From the Troops, 27:2
Hands and Machines, 51:3
Merit Badge, 16:2
Tedd Benson Replies, 27:3
Light Frame Durability, 61:16
(Light)-Framing American Culture, 31:3
Little Crane History, 64:18
Oatman's Last Voyage: Ludlow to London via Dublin, 53:16

Proportioning Systems and the Timber Framer, 18:8
Pythagorean 345, 48:20
Russian Reflections (Petersburg '92), 26:1
Shtandart Shop, St. Petersburg, 28:9
Six Paradoxes, 32:3
Southern Timber Frame Origins, 60:18
Spiraling Dragons: The First One, 39:14
Spiraling Dragons: The Other One, 40:11
Suspenders, 13:6
Tale of Two Saunas, 47:9
Timber Frame House: Its Place in America, 13:13
Timber Frame Sculpture, U.S. Society, 10:5
Timber Framer's Journal, 20:6
Time Machine for Learning, 64:21
Topics:
Handwork, 47:3
King Ludd, or the Road Ahead? 49:2
More on Handwork, 52:2
Pythagorean 345, 48:20
Spar Wars, 53:3
Topping Out, 24:8
Vermont Framer's 1799 Diary, 10:4
Viewpoint for Wooden Architecture, 35:3
Visit to Germany, 27:4
Voyages of Brungaber: Summer, 42:10
Voyages of Brungaber: Winter, 41:12
Voyages of Oatman: Cambridge and Warwickshire, 52:12
Voyages of Oatman: Chartres, 47:17
Voyages of Oatman: Hessen, 48:8
Voyages of Oatman: Suffolk and Essex, 51:6

Dismantling

Barn Dismantling, 31:8
Taking Down Timber Barns, 32:4

D-I-Y

D-I-Y Down Under, 58:18
D-I-Y in Alberta, 53:8
Topics: D-I-Y, 14:2
Topics: D-I-Y II, 17:2

Durability (Earth, Wind, Fire, Water)

Earthquakes and Timber Frames, 16:4
Fire, 19:12
Hanshin Earthquake, 36:8
Letters:
Engineering, 16:2
Hugo, 14:2
Injustice, 15:2
Longevity, 36:2
Light Frame Durability, 61:16
Of Sapwood and Water, 43:10
On Longevity, 34:2
Tale of a Twister: Frame Put to Test, 4:4

Egypt

Raising an Obelisk, 54:4

Enclosure Systems

Cellulose Alternative, 29:6
D-I-Y in Alberta, 53:8
Foam Wars, 4:3
Infill System for the Lancy House, 21:9
Letters: Straw-Clay, 36:2
Natural Straw-Clay Wall Systems, 35:6
Panel Installation, 7:6
Panel Panel Delivers Report, 2:4
Panel Tests Questioned Sharply, 3:3
Reflections on Foam Panels and a Site-Built System, 23:4
SIPs and SSPs are Not the Same, 60:8
Testing Committee Meeting Minutes: Panel Survey, 2:6
Wood Shavings as Insulation? 61:24

England

Ancient Barn Surveyed (Harmondsworth), 7:6
Ancient English Frame, 19:2
And a New One (Chrishall, Essex), 19:3
Baythorne Hall (A Revision), 46:20
Capitals, Scarfs and the Interdict, 33:4
Charlton Court Barn, a Medieval Frame, 34:4
Double-Cutting and Historic Scribe Framing, 40:16
English Barns with Nailed Wind Braces, 47:14
English Historic Carpentry, by Cecil Hewett (brief notice of
American reprint, with new drawing), 46:20
Globe Theatre, 31:10
Guide to Medieval English Tithe Barns,
by James W. Griswold, 55:24
Letters: Sussex Report, 28:3
New Globe for London, 36:5
Oatman's Last Voyage: Ludlow to London via Dublin, 53:16
Old English Joint, 34:16
Reconstruction of London's Globe, 37:2
Reproducing Shakespeare's Globe, 23:6
Richard Harris Describes "Language of Carpentry," 9:3
Solving a Structural Enigma: Westminster Hall's
Hammer Beam Roof, 30:4
Timber-Framed Dovecote in Suffolk, 52:4

Timber Framing and the Landscape, 1:2
Timber Framing Revival in England? 7:4
Traditional Frame in West Sussex, 29:8
Variation on the English Tying Joint, 14:6
Voyages of Oatman: Cambridge and Warwickshire, 52:12
Voyages of Oatman: Suffolk and Essex, 51:6
Winchester Cathedral's South Transept Roof, 46:4

Forest Resource

Appeal to Plant More Trees, 21:14
Commentary (forestry), 9:8
Field Report, 27:16
Forest Bathing, 29:3
Forest Experts Confirm the Worst, 9:8
Forest Management Plan Agreement Signed by Guild, 18:10
Forest Service Answers Guild on Old-Growth, 11:2
Forest Service Replies Again on Old-Growth, 13:2
Forester Sets Out Rational Long-Term Management Plan, 15:6
Guild Achieves First Public Planting, 21:4
Guild Answers Forest Service on Old-Growth, 12:2
Guild Notes & Comment (forests), 42:18
'Inimim News, 40:24
'Inimim Progress Report, 27:15
Letter from the Board of Directors of the TFGNA to Those Responsible for the National Forests and Bureau of Land Management Timberlands of the United States, 9:9
Letters:
Eastern Old-Growth, 30:3
Timber Tax, 24:2
New Perspectives Commentary, 21:14
New Perspectives on National Forests, 21:12
Notes from the Cruck Farm, 9:11, 10:4
Oak and the Pine Tree Mentality, 24:16
Old-Growth Policy Announced, 15:1
Old-Growth Symposium Yields Basic Agreements, 19:10
Pioneer Forest Plan Progresses in California, 22:8
Resource Committee Acts, 8:5
Saving Ontario's Old-Growth, 22:8
Salvage in British Columbia, 57:4
Secrets of the Old Growth Forests, by David Kelly, 13:10
Sustainable Forestry, 27:15
Timber Framing and the Landscape, 1:2
Topics: Forest Update '97, 44:2
Topics: The Best We Can Do, 55:2
Wood for the Future, 10:3

Framing Techniques

Back to the Fundamentals, 13:5
Build a Classic Timber-Framed House, by Jack A. Sobon, 32:2
Department of Clarification, 42:20
Elements of the Dream Shop, 13:7
French Snap, 36:4
Historic American Timber Joinery, A Graphic Guide:
I. Tie Below Plate, 55:4
II. Tie at Plate, 56:8
III. Sill and Floor Joints, 57:6
IV. Wall and Brace Joints, 58:6
V. Roof Joinery Excluding Trusses, 59:6
VI. Scarf Joints, 60:10
Japanese Lintel Setting Techniques, 24:6
Peter McCurdy Surveys Repair Methods, 2:2
Round Post, Square Beam Joinery, 41:6
Scribe Rule, Square Rule, 31:9
Timber Framing for Beginners: IV. When the Chips Fly, 66:10
Traditional Techniques and Shortcuts, 39:4
Tricks of the Trade, 9:10
Uneven Bunk Displacement and the Timber Framer, 14:5

France

French Compagnonnage Briefly Explored, 13:14
French Miscellany, 24:8
French Scribe Layout, Introduction to, 34:8
French Scribe II, 35:10
French Scribe III, 36:18
French Scribe Rule, 8:5
Voyages of Oatman: Chartres, 47:17

Germany

Correction, 51:3
Early Wisconsin Framing, 12:3
German Frame Typology, 49:4
German Frame Typology II, 51:16
German Frame Typology III (Roofs), 52:7
German Roof Layout I, 33:14
German Roof Layout II, 34:10
German Timber Framing, 48:6
Henry Antes House, 40:9
Letters:
German Conference, 16:2
Circles and Squares (Lüneburg Crane), 65:2
Load Behavior of Connections with Oak Pegs, 38:8
Load Behavior of Connections with Pegs II, 39:8
My Lunch With Helmut and Sebastian, 59:18
Timber Framing in Germany, 9:4
Visit to Germany, 27:4
Voyages of Brungraber: Winter, 41:12
Voyages of Oatman: Hessen, 48:8

Guild Affairs: Miscellaneous

Apprentice Program Underway, 17:10
Breaking New Ground, 22:3
Business Meeting Adopts Bylaws, 2:2
Committees: Bennett Heads Testing, Gardner Carries On, Lukian Takes Chair, 5:2-3
Conference Committee Meeting Minutes, 2:5
Directions:
Introductory, 20:3
News and Progress, 21:3
West, South and North, 22:3
Education Committee Minutes, 2:5
Education Committee Reports, 9:11
Election Procedure Explained, 8:4
Elections, 20:2
Forest Management Plan Agreement Signed by Guild, 18:10
Guild Answers Forest Service on Old-Growth, 12:2
Guild E-Mail, 20:2
Guild Notes & Comment:
Forests, 42:18
Gould Farm, UK, Iceland, 57:2
Grants, 41:16
Historic Review, 31:14
Miscellany, 27:19
New Executive Directorate, 50:2
Sunny Days Ahead, 27:19
UK, Sweden, Denmark, Canada, 59:2
Timber Frame Business Council, 40:21
"House Makers" Reviewed, 15:2
'Inimim News, 40:24
'Inimim Progress Report, 27:15
Letters:
Advertising, Maybe, 22:2
Advertising, No, 22:2
Apprenticeship, 15:2
Apprenticeship, 24:2
Cautions, 18:2
Dedication, 10:2
Education, 11:2
Exchange Program, 13:3
Generosity, 21:2
Guelph Bridge Advice, 23:2
Hands and Machines, 51:3
Kudos, 6:6
Medications, 8:2
Misprinting, 51:3
Suggestions, 31:2
Thanks, 13:2
Who's Who, 9:2
Marlboro 1986 (Marlboro '86): A Considered Appraisal, 2:8
Members Raise Issues at Annual Meeting, 5:8
Message from the President, 1:4
Midwest Considers Chapters, 8:1
Midwest Region Meets, 11:7
New Election Procedure, 6:5
Ontogeny or Phylogeny? (Business Council), 38:2
Oregon Conference Issues (Timberline '90), 18:1
Organic Circles, 25:8
Pioneer Forest Plan Progresses in California, 22:8
Professional Directory to Appear, 8:1
Slide Show, 1:3
Slide Show Raises Questions, 2:2
Standards, 16:10
Traditionalists Establish Group (TTRAG), 18:2

Guild Board Meetings

Board Holds Annual Meeting (Fort Worden '89), 15:1
Board Sets Major Goals for 1989 (Chebeague '88), 10:1
Directors Annual Meeting Minutes, 2:3
Directors Chart Course for 1988 (Portsmouth '87), 6:1
Directors Meet, Elect Officers, Review Events, 5:3
Directors Meetings, 1:1
Guild Directors Meet (Troy '90), 17:3
Guild Notes and Comments:
Bucksteep '93, 30:15
Fishkill '93, 28:18

Guild Conferences

All-Day Workshops Introduced, 21:3
Amherst Conference (Amherst '97), 45:6
Annual Meeting '95 (Williamsburg '95), 37:16
Barn Symposium, 9:5
Bethlehem Conference (Bethlehem '96), 42:13
Bethlehem Conference Commentary, 42:13
Bridge Triumph in Canada (Guelph '92), 25:1
Building Expert Challenges Timber Framers, 13:3
Call for Abstracts, 11:2
Canada '91, 18:3
Canadian Group Takes Shape (Alliston '90), 16:1
Canadian Work Party (photos), 25:10-11
Conference Preparations Complete, 12:1
Conference Returns to Rensselaer (Troy '91), 19:1
Conference Success at Troy (Troy '90), 17:1
'89 Conference Broadens Range, 11:1
Elizabethtown Conference Arranged, 8:1
500 Attend 1987 Conference (Poultney '87), 5:1
Guelph Bridge (panoramic photo), 25:8
Guelph '92, the Story of a Bridge, 25:4

Guild Conference Draws 200 (Hancock '85):
Conference Report; Framing Systems;
Guild Officers; Directors Meetings;
Business Meeting; Timber Framing and the Landscape; The Whole House;
The Timber Framing Business;
Mortise and Tenon Test Suggests
Joint Revision; Slide Show; Committees, 1:1
Guild Notes & Comment:
Asilomar 2000, 60:2
Fairlee '99, 54:2
Montebello 2000, 58:2
Nacogdoches '94, 32:14
Rindge '93, 29:15
Skamania '95, 35:14
Habitat Frames (panoramic photo), 13:4
Habitat Jubilation at '89 Conference (Habitat '89), 13:1
Habitat (photos), 13:6
Hints on How to Run the Railroad, 11:7
Log Building, 7:6
Marketing, 9:5
Marlboro 1986 (Marlboro '86): A Considered Appraisal, 2:8
National Conference Reaches Out (Elizabethtown '88), 9:1
National Conference Set for June, 15:1
New Venue for Western Conference (Big Sky, 1991), 22:1
1989 Conference Scheduled, 10:1
1989 W. Conference: Business Start-Up, 15:5;
Design: Practice, 15:4; Design: Theory, 15:4;
The Future, 15:4; Raising, 15:5
1987 Conference Set for Vermont, 3:1
'91 Elections and Meeting Ring Changes (Troy '91), 21:1
Oregon Conference Issues (Timberline '90), 18:1
Regional Conferences Announced, 9:1
Second Canadian Conference (Orilla '91), 20:1
Second Western Conference Draws 140 to Timberline (Timberline '88), 7:1
Selected Short Subjects, 13:15
325 Attend 1986 Conference (Marlboro '86), 2:1
Three Who Beat the Buster, 17:3
Timber Frame House: Its Place in America, 13:13
Trade Fair Enlivens Conference, 2:3
Tricks of the Trade, 9:10
Western Conference (Fort Worden '89), 13:1
Western Conference Surveys Design, Joinery, Business (Timberline '88), 11:4
Western Meeting Brings 100 Framers to Oregon Mountain (Timberline '87), 3:1
Wide Ranging Workshops Enrich Weekend (Poultney '87), 5:4
Williamsburg '95, An English View, 37:14

Guild Workshops

Collaborative Workshop Planned, 11:10
Concord Workshop Success (Concord '89), 14:1
Guelph Bridge (panoramic photo), 25:8
Guelph '92, the Story of a Bridge, 25:4
Guild Notes & Comment:
Lone Mountain Ranch '95, 37:12, 38:14
Nacogdoches '94, 32:12
Penetang '94, 34:13
Rindge '93, 29:13
Guild Rendezvous 1996 (Dolly Copp '96), 42:4
Habitat Designs Revised, 11:3
Habitat Frame Underway, 11:1
Habitat Frames Readied for Raising, 12:1
Habitat Frames (panoramic photos), 13:4-5
Habitat (photos), 13:6-10
"House Makers" Reviewed, 15:2
Kitchen Notes from Dolly Copp, 42:8
Maine Rendezvous (Green Island '95), 38:15
Malabar Memories (Malabar '95), 36:14
Rendezvous '02 (Norwell Crane), 64:24
Shtandart Shop, St. Petersburg, 28:9
Timber Frame for Humanity, 13:1
Views of Concord Workshop (photos), 14:3

Heating, Ventilating and Air Conditioning

Consumer Guide to Home Energy Savings, by Alex Wilson, 20:2
Moisture Control, 9:4
Primer for Healthy House Construction, 20:4
Timber Frame Heating and Ventilation, 18:6
Ventilation, 6:6

Historic Framing (see also Preservation and Reconstruction)

Adzed Beams? 28:13
American Timber Frame, 37:10
Ancient English Frame, 19:2
Architectural Technology up to the Scientific Revolution, edited by Robert Mark, 38:3
Baythorne Hall (A Revision), 46:20
Belgian Barns I, 60:24
Belgian Barns II, 61:20
Belgian Barns III: Ter Doest, 62:16
Capitals, Scarfs and the Interdict, 33:4
Central Moravian Church, 31:11
Composite Massachusetts Barn, 36:4
Corncribs in the Delaware Valley, 48:4

Cruck Apexes, 24:9
 Day in Malmö, 56:20
 Double-Cutting and Historic Scribe Framing, 40:16
 Early Wisconsin Framing, 12:3
 Early Woodworkers in Massachusetts Bay, 54:16
 1868-1873 Framer's Journal, 31:11
 Ellesdie Chapel, 48:7
 English Barns with Nailed Wind Braces, 47:14
 Ernhaus, 48:4
 Forebay Barn Origins Explored, 13:14
 Forebay Floor Framing, 28:13
 French Snap, 36:4
 Genesee Barns, 9:5
 Graeco-Roman Stone-Throwing Catapult, 64:18
 Hammer-Beam Roofs I, 48:12
 Hammer-Beam Roofs II, 49:2
 Hay Barracks, 36:5
 Henry Antes House, 40:9
 High Horse Wheel, 31:10
 Historic American Timber Joinery, A Graphic Guide:
 I. Tie Below Plate, 55:4
 II. Tie at Plate, 56:8
 III. Sill and Floor Joints, 57:6
 IV. Wall and Brace Joints, 58:6
 V. Roof Joinery Excluding Trusses, 59:6
 VI. Scarf Joints, 60:10
 Letters:
 A Farewell to Freddie, 66:2
 Circles and Squares (Lüneburg Crane), 65:2
 Little Crane History, 64:18
 Long Island, N.Y., Where Dutch and English Meet, 31:8
 Long Island Roof Framing, 28:12
 Marriage of Timber and Stone, 28:13
 Mortise Clues, 36:5
 New Jersey House Reconstruction, 36:4, 37:6 (photos)
 New Roof at Scotland's Stirling Castle, 47:4
 Old English Joint, 34:16
 Pennsylvania Barn in New Jersey, 48:5
 Peter McCurdy Surveys Repair Methods, 2:2
 Preservation vs. Restoration, 31:9
 Raising Holes and Wing Pegs, 40:8
 Restoration Objectives, 24:9
 Richard Babcock Discusses Early Barns, 2:3
 Ross County Barns, 40:10
 Ship's Knees, 24:9
 Simple 18th-Century Quaker House, 31:6
 Solving a Structural Enigma: Westminster Hall's
 Hammer Beam Roof, 30:4
 Southern Timber Frame Origins, 60:18
 Square Rule Methods, 45:4
 Sutter's Mill, Some History, 63:4
 Tidewater Virginia, 9:7
 Timber-Framed Barns of Carson Valley, 56:4
 Traditional Techniques and Shortcuts, 39:4
 Traditional Timber Framing Research and Advisory Group
 (TTRAG) Proceedings:
 1992: Madigan, Brilliant, Lawson, Huber, Lewandoski,
 Nash, Gee, Yonne, 24:8
 1993: Sinclair, Haarmann, Christian, Brandt, Sobon,
 Proulx, 28:12
 1994: Haarmann, Lehmer, Nash, Sobon, Rower, Levin,
 Krickler and Young, Murray, Brandt, 31:8
 1995: Sobon, Carr, Huber, Greenwood, Lanoue,
 Christian, McCurdy, Sinclair, 36:4
 1996: Simmons, Sinclair and Hedges, Brandt, Dauerty,
 Smolen, Troth, 40:8
 1997: Grassi, Sturgis, Lewandoski, Christian,
 Stevens, 44:3
 1998: Ernhaus, Greenwood, Huber, Ensminger,
 Wingender, Kovacic, 48:4
 TTRAG 2000: Bent Typology, 57:16
 TTRAG 2001: Photos by Chris Madigan
 Tying Joint Evolution, 36:12
 Tying Joint, Variation on the English, 14:6
 Tying Joint Variation II, 21:16
 Tying Joint Variation III, 23:12
 Tying Joint Variation IV, 26:16
 Tying Joint Variation V, 27:18
 Tying Joint Variation VI, 28:20
 Tying Joint Variation VII, 30:16
 Tying Joint Variation VIII, 33:16
 Tying Joint Variation IX, 35:13
 Tying Joint Variation X, 38:20
 Variant Log Sweitzer Barns in Pennsylvania, 48:5
 Vermont Framer's 1799 Diary, 10:4
 Voyages of Oatman: Cambridge and Warwickshire, 52:12
 Voyages of Oatman: Chartres, 47:17
 Voyages of Oatman: Hessen, 48:8
 Voyages of Oatman: Suffolk and Essex, 51:6
 What Can an Off-Cut Tell Us? 37:9
 Wilson Barn, 24:9
 Winchester Cathedral's South Transept Roof, 46:4

Holland and Dutch America
 Cantilevered Dutch-American Barns, 43:8
 Dutch-American Timber Framing, 44:6
 Dutch Barn Wood Species, 46:8
 18th-Century Ulster Co. Lap Dovetail Dutch Barns, 41:9

Hay Barracks, 36:5
Historische houtconstructies in Nederland,
 by G. Berends, 43:2
 Long Island, N. Y., Where Dutch and English Meet, 31:8
 Mammoth in Monmouth County, 24:13
 New World Dutch Barns, 28:12
 Raising Holes and Wing Pegs, 40:8
 Topics: A Mammoth Lesson, 52:3
 Traditional Dutch Frame in New York, 19:8
 Traditional Farm Types of the Netherlands, 27:6
 Two Ulster County Barns, 36:4
 Voyages of Oatman: The Netherlands, 49:6
 Wemple Barn, 24:8

Humor
 Chisel Sharpness Assessment, 20:5
 D-I-Y, 14:2
 Guild Notes & Comment, 49:12
 Notes from the Cruck Farm, 9:11, 10:4
 Timber-framed chair, 61:32
 Uneven Bunk Displacement and the Timber Framer, 14:5

Iceland
 Notes & Comment (Gould Farm, UK, Iceland), 57:2

Indexes
 Indexes to TIMBER FRAMING by Article Title
 Nos. 1-17, TIMBER FRAMERS NEWS, 10/85-9/90, 18:5
 Nos. 18-26, 12/90-12/92, 27:20
 Nos. 27-30, 1993, 31:16
 Nos. 31-34, 1994, 35:16
 Nos. 35-38, 1995, 39:3
 Nos. 39-42, 1996, 43:20
 Nos. 1-42, 1985-1996, 45:13
 Index to TIMBER FRAMING 1-54 by Subject and Author,
 1985-1999, 55:10

Japan and Korea
 Double Raising at Brattleboro Museum, 6:4
 Framer's First Glimpse of Japan, 64:4
 Fukagawa School, Nagano, Japan, 32:11
 Gazebo in Philadelphia, 36:10
 Hanshin Earthquake, 36:8
 Japanese Lintel Setting Techniques, 24:6
 Japanese Tea House in Maryland, 51:4
 Korean Pavilion in D.C., 64:4
 Len Brackett on a Japanese Apprenticeship, 5:6
 Notes & Comment: **Asilomar 2000**, 60:2
 Spiraling Dragons: The First One, 39:14
 Spiraling Dragons: The Other One, 40:11
 Sumitsuke, Heart of the Japanese Frame, 26:10
 Sumitsuke 2: Koya Gumi Marking, 28:10
 Sumitsuke 3: Koya Gumi Marking, 29:10
 Susameisha, Kyoto, Japan, 42:14
 Suzuki House, Osaka, Japan, 29:4
 Tale of Two Saunas, 47:9
 Vermont Museum Sets Raisings, 5:1
 Viewpoint for Wooden Architecture, 35:3
 Voyages of Brungraber: Summer, 42:10
Way of the Carpenter, by William H. Coaldrake, 23:2
 West Coast Frame Raised in Japan, 3:4

Layout Techniques (see also Compound and Roof Joinery)
 Before the Chips Fly, 7:3, 8:3, 12:7
 Cabildo Roof Goes Up One, Two, Three (photos), 24:10
 Double-Cutting and Historic Scribe Framing, 40:16
 French Scribe Rule, 8:5
 German Roof Layout I, 33:14
 German Roof Layout II, 34:10
 Guild Notes & Comment:
 Lone Mountain Ranch '95, 37:12
 Lone Mountain '95 (cont'd), 38:14
 Penetang '94, 34:13
 Guild Rendezvous 1996 (Dolly Copp '96), 42:4
 Industrial, Pre-Industrial Framing, 20:6
 Letters: Reconsiderations, 30:2
 Old Ways of Measuring, 44:5
 Products: Layout Template, 12:3
 Round Post, Square Beam Joinery, 41:6
 Square Rule Methods, 45:4
 Sumitsuke, Heart of the Japanese Frame, 26:10
 Sumitsuke 2: Koya Gumi Marking, 28:10
 Sumitsuke 3: Koya Gumi Marking, 29:10
 Timber Framing for Beginners:
 III. Introduction to Layout, 63:12

Log Building
 Guild Rendezvous 1996 (Dolly Copp '96), 42:4
 Letters: A Log Builder Speaks Out, 4:2
 Log Building, 7:6
 Maine Rendezvous (Green Island '95), 38:15
 Ross County Barns, 40:10
 Visit with the Canadian Log Builders, 7:5

Obituaries
 Mark Brandt, 62:3
 F. W. B. Charles, 66:2
 Cecil Hewett, 50:3
 Brian Smeltz, 61:3

Pegs and Pegging
 Direction for Joint Design, 15:7
 Holding the Timber Frame Industry Together, 53:13
 Joint-Busting at Amherst, 45:3
 Load Behavior of Connections with Oak Pegs, 38:6
 Load Behavior of Connections with Pegs II, 39:8
 Mortise and Tenon Test Suggests Joint Revision, 1:3
 On the Bending Strength of Pegs, 58:12
 Pegging Design, 28:15
 Topics: Pegs, 10:5

Poland
 Voyages of Oatman: Poland, 58:14

Preservation and Reconstruction
 Ancient Barn Surveyed (Harmondsworth), 7:6
Barns of Roots America, by Richard Babcock, 33:3
 Building the BBC Ballista, 64:10
 Building the Norwell Crane, 64:14
 Cabildo Roof Frame to be Built in New Hampshire, 21:1
 Cabildo Roof Goes Up One, Two, Three (photos), 24:10
 Edmund Burroughs House, 37:6
 Framing the Cabildo Roof, 23:8
 Globe Theatre, 31:10
 Harmondsworth Copy, 24:8
 Industrial, Pre-Industrial Framing, 20:6
 Kenozero and Timber Buildings in Northwest Russia, 66:18
 Little Crane History, 64:18
 Long Two-Span Wooden Bridge Under Repair, 11:10
 Malabar Memories (Malabar '95), 36:14
 New Fort for 17th-Century Village, 3:2
 New Gates for Lock No. 36, 24:14
 New Globe for London, 36:5
 New Jersey House Reconstruction, 36:4, 37:6 (photos)
 New Roof at Scotland's Stirling Castle, 47:4
 19th-Century Pavilion Reproduced (photos), 22:10
 Pegging the Big Easy, 20:3
 Pilgrim Dugout, 4:3
 Preservation vs. Restoration, 31:9
 Reconstruction of London's Globe, 37:2
 Reproducing Shakespeare's Globe, 23:6
 Restoration in Romania, 66:7
 Restoration Objectives, 24:9
 Restoration Strategies, 31:12
 Richard Babcock Discusses Early Barns, 2:3
 Vermont Church Roof Frame Reproduced, 3:3
 Winchester Cathedral's South Transept Roof, 46:4
 Windsor-Cornish Repairs Proceed, 12:10

Raising and Rigging
 Building the Norwell Crane, 64:14
 Cautionary Tale, 10:7
 Double Raising at Brattleboro Museum, 6:4
 Erection of Church Steeples, 36:6
 Letters:
 Reality, 13:2
 Thanks, 13:2
 Trussed, 20:2
 Lifting 40,000 Pounds Twice, 25:16
 Lifting the Ballista, 64:16
 1989 W. Conference, Raising, 15:5
 Recent Raisings Ancient and Modern Style, 4:1
 Raising Holes and Wing Pegs, 40:8
 Raising an Obelisk, 54:4
 A Surprising Inversion, 10:7
 Tips on Getting Them up without Breaking Anything, 5:5
 Vermont Museum Sets Raisings, 5:1

Recycling
 Logging the Industrial Forest, 22:6
 Salvage in British Columbia, 57:4

Romania
 Restoration in Romania, 66:7
 Wooden Vernacular Architecture in Romania, 21:10

Russia
 American in Russia, 30:12
 Kenozero and Timber Buildings in Northwest Russia, 66:18
 Russian Reflections (Petersburg '92), 26:1
 Shtandart Shop, St. Petersburg, 28:9

Scandinavia
 Day in Malmö, 56:20
 Highland Reminiscence, 52:16
Norwegian Wood: A Tradition in Building, by Jerri Holan, 40:3
 Notes & Comment (UK, Sweden, Denmark, Canada), 59:2
 Tale of Two Saunas, 47:9
 Visit to Finland, 62:19
 (Norwegian Gazebo), 66: back cover

Scotland

Aftermath, 50:20
Bonnie Trip to the Land of Chips, 50:4
Highland Fling, 50:14
Highland Reminiscence, 52:16
Goldberg's Highland Journal, 51:9
Less Cackling, More Eggs! 50:8
New Roof at Scotland's Stirling Castle, 47:4
Serious Challenge, 50:12

Sharpening

Before the Chips Fly (sharpening), 10:6
Chisel Sharpness Assessment, 20:5
Confessions of a Tool Merchant, 9:6
Lee's Chiselology, 9:6
Sharp Look at Stones, 9:10
Sharpening Chains, 11:8
Toishi (stones), 8:6

Southeast Asia

House Building in Donggo, 16:6

Timber Design and Engineering

Advanced Joinery Questions, 13:15
Allowable Stresses Proposed for Oak Timbers, 6:5
Behavior of Connections Commentary, 39:11
Brief Reviews: Bell, Kelley, Haupt, 32:3
Building the Norwell Crane, 64:14
Cruck Apexes, 24:9
Design of a Spiral Stair, 57:14
Direction for Joint Design, 15:7
Dropping 115,000 Pounds, 25:16
Engineered Tension Joinery, 23:10
Engineering, Brutally Basic and Applied, 13:16
Engineering the Speed River Bridge, 25:12
Engineers, Bolts and Glulam, 15:7
Frame Engineering, 30:7
Guild Notes & Comment:
 Nacogdoches '94, 32:12
 Rindge '93, 29:13
Hammer-Beam Roofs I, 48:12
Hammer-Beam Roofs II, 49:2
Joint-Busting at Amherst, 45:3
Joinery Decisions, 27:10
Joint Engineering, 38:10
Joint Engineering II, 39:12
Laterally Loaded Timber Frames:
 I. One-Story Frame Behavior, 62:2
 II. Two-Story Frame Behavior, 63:8
 III. Sheathed Frame Behavior, 64:10
 IV. SIP Connection Behavior, 65:24
 V. Modeling the Strength and Stiffness of a 1S1B Frame, 66:4
Lateral Stiffness, an Exchange, 63:2
Letters:
 And *More* on Purlin Plates, 64:2
 Charles Landau Replies, 28:5
 Ed Levin Replies, 28:6
 Joinery, 28:3
 More on Purlin Plates, 62:3
 Rolling Plates? 40:2
 Why Timber-Framed Walls? 64:3
Load Behavior of Connections with Oak Pegs, 38:6
Load Behavior of Connections with Pegs II, 39:8
Mortise and Tenon Test Suggests Joint Revision, 1:3
Notched vs. Mortised Joinery, 43:4
Pegging Design, 28:15
Pegs, 10:5
Problem of Long Timbers, 16:3
Professor Brungraber Lectures, 2:5
Round Post, Square Beam Joinery, 41:6
Solving a Structural Enigma: Westminster Hall's Hammer Beam Roof, 30:4
Some [Engineering] Applications, 13:16
Standards, 16:10
Super Joint, 2:1
Three Who Beat the Buster, 17:3
Timber Construction for Architects and Builders, by Eliot Goldstein with Stephen Smulski, 52:20
Timber Solutions Manual, by David W. Duquette, 45:2
Timber Frame Foundations, 17:11
Traditional Frame Engineering, an Exchange, 61:4
Tying Joint Evolution, 36:12
Tying Joint:
 Variation on the English, 14:6
 Variation II, 21:16
 Variation III, 23:12
 Variation IV, 26:16
 Variation V, 27:18
 Variation VI, 28:20
 Variation VII, 30:16
 Variation VIII, 33:16
 Variation IX, 35:13
 Variation X, 38:20
Western Conference Surveys Design, Joinery, Business (*Timberline* '88), 11:4
Why Do We Build Timber-Framed Walls? 62:2

Tools

Adzed Beams, 28:13
Building the Norwell Crane, 64:14
Early Mortising Technology, 22:12
Handsaw Primer, 63:18
Helving a Broadaxe, 64:20
How to Make a Commander, 61:14
Junior Crane, 23:5
Layout Template, 12:3
Leaf Springs, 24:9
Letters:
 Keeping One's Head, 66:2
 Hands and Machines, 51:3
 Mortiser, 7:2
New Tools and Materials at Show, 5:7
Rendezvous '02 (Norwell Crane), 64:24
Rope Comealongs, 9:11
Timber Frame Nerds? 45:12
Timber Framing for Beginners: I. The Tool Kit, 61:6
Time Machine for Learning, 64:21
Tool Show and Tell, 13:15
Topics: Eyes Wide Shut, Spar Wars, 53:2
Topics: Handwork, 47:3
Topics: King Ludd, or the Road Ahead? 49:2
Topics: More on Handwork, 52:2
Topics: Pythagorean 345, 48:20
Way of the Carpenter, by William H. Coaldrake, 23:2

Trébuchets and Ballistas

Aftermath, 50:20
Bonnie Trip to the Land of Chips, 50:4
Building the Lexington Bellifortis, 44:10
Building the BBC Ballista, 65:10
Design Considerations for a Large Trébuchet, 44:12
Graeco-Roman Throwing Catapult, 64:18
Highland Fling, 50:14
Highland Reminiscence, 52:16
How I Spent My Spring Vacation, 44:15
Goldberg's Highland Journal, 51:9
Less Cackling, More Eggs! 50:8
Lifting the Ballista, 64:16
Serious Challenge, 50:12
Trébuchet for Virginia Military Institute, 44:8

Windmills

Mill Timber Framing, 44:3
Visit with Jim Krickler, 54:10

Wood Science

Allowable Stresses Proposed for Oak Timbers, 6:5
End Sealers, 4:2
Glulams Looking Smoother, 24:16
Grading Workshop Success, 11:9
Letters:
 Dendrochronology, 33:2
 Long Timber, 16:2
 Maple, 7:2
 PEG 1000: Degrade Prevention, 14:5
Of Sapwood and Water, 43:10
Stress Values to be Established for Oak Timbers, 3:2
Testing Committee Report, 11:8
Timber Construction for Architects and Builders, by Eliot Goldstein with Stephen Smulski, 52:20
Visual Stress Grading Revisited, 14:6

Index by Author

Abrams, John

Restructuring for the Long Term, 56:18

Acorn Timber Frames

Waterfront Studio, 51:5
St. George's Anglican Church, 45:9

Adams, Merle

People's Choice Award, *Asilomar 2001*, 60:32
Restructuring for the Long Term, 56:18
Letters: Timber Tax, 24:2
Reflections on Foam Panels and a Site-Built System, 23:4
Logging the Industrial Forest, 22:6
All-Day Workshops Introduced, 21:3
Fire, 19:12
1990 W. Conference, Raising, 15:5

Addy-Jibb, Daniel

Restoration in Romania, 66:7

Alston, Leigh and John McCann

Timber-Framed Dovecote in Suffolk, 52:4

Anderson, Al

Board Candidate biography, 12:8

Anderson, Chas

Letters: Injustice, 15:2

Anderson, Michael

Learning from Sea Ranch, 43:12
Susameisha, Kyoto, Japan, 42:14
Spiraling Dragons: The Other One, 40:11

Spiraling Dragons: The First One, 39:14
Hanshin Earthquake, 36:8
Sumitsuke 3: Koya Gumi Marking, 29:10
Suzuki House, Osaka, Japan, 29:4
Sumitsuke 2: Koya Gumi Marking, 28:10
Sumitsuke, Heart of the Japanese Frame, 26:10
Japanese Lintel Setting Techniques, 24:6
Books: *Way of the Carpenter*, by William H. Coaldrake, 23:2

Arvin, Jeff

Reflections on the Business Council, 45:11
Round Post, Square Beam Joinery, 41:6
Board Holds Annual Meeting (Fort Worden '89), 15:1
Timber Frame for Humanity, 13:1
Engineering, Brutally Basic and Applied, 13:16
Books: *Secrets of the Old Growth Forests*, by David Kelly, 13:10
Untimber Framing, Variations on the Heavy Frame, 12:4
Board Candidate biography, 12:8
Collaborative Workshop Planned, 11:10
Midwest Considers Chapters, 8:1
Topics: Culture (Len Brackett), 7:2
Panel Installation, 7:6
Topics: Ventilation, 6:6
Panel Tests Questioned Sharply, 3:3

Augustin, Ralf and Martin H. Kessel

Load Behavior of Connections with Pegs II, 39:8
Load Behavior of Connections with Oak Pegs, 38:6

Baker, Frank

Board Candidate biography, 12:8

Barlow, Bob and Faye

Tricks of the Trade, 9:10

Bartlett, Dan

One Man's Castle, Bell-Tower, N.H., 26:9

Batton, Bart

Marketing, 9:5

Beemer, Will

A Framer's First Glimpse of Japan, 64:4
Timber Framing for Beginners:
 IV. When the Chips Fly, 66:10
 III. Introduction to Layout, 63:12
 II. Ten Factors in Timber Frame Design, 62:11
 I. The Tool Kit, 61:6
Guild Rendezvous 1996 (*Dolly Copp* '96), 42:4
Guild Notes & Comment (Grants), 41:16
Guild Notes & Comment (*Lone Mountain* '95), 38:14
Guild Notes & Comment (*Lone Mountain* '95) 37:12
Guild Notes & Comment (*Penetang* '94), 34:13
Books: *Build a Classic Timber-Framed House*, by Jack A. Sobon, 32:2
Guild Notes & Comment (*Nacogdoches* '94), 32:12
Guild Notes & Comment (*Rindge* '93), 29:13

Beffeys, Renaud

A Serious Challenge, 50:12

Beggs, Colin

Topics: More on Handwork, 52:2

Bennett, Peter T. and W. Bradshaw Swanson

Letters: Reality, 13:2

Bennett, Sandy

Shtandart Shop, St. Petersburg, 28:9
A Trig Guide for the Perplexed, 14:4

Benson, Tedd

Letters: Tedd Benson replies, 27:3
Crafting the Future of Our Craft: Paradigms and Principles, 26:13
Board Candidate biography, 12:9
Confessions of a Tool Merchant, 9:6
Forest Experts Confirm the Worst, 9:8
Books: *Barns of the Genesee Country*, by Daniel Fink, 8:6
A Timber Framing Revival in England? 7:4

Bjork, Phil

1990 W. Conference, The Future, 15:4

Board of Directors

Letter from the Board of Directors of the TFGNA to Those Responsible for the National Forests and Bureau of Land Management Timberlands of the United States, 9:9

Bobb, Steve

Slide Show Second Opinion, 2:3

Bosies, Sharon

1989 W. Conference, Design: Practice, 15:4
Topics: End Sealers, 4:2

Bower, John

A Primer for Healthy House Construction, 20:4

Brackett, Len

Business Roundtable, 59:16
'Inimim News, 40:24
'Inimim Progress Report, 27:15
Pioneer Forest Plan Progresses in California, 22:8
Forest Management Plan Agreement Signed by Guild, 18:10
Guild Answers Forest Service on Old-Growth, 12:2
Board Candidate biography, 12:9

Brandt, Marcus

Henry Antes House, 40:9
Central Moravian Church, 31:11
Marriage of Timber and Stone, 28:13

Brennan, Kristen

Belgian Barns III: Ter Doest, 62:16
Belgian Barns II, 61:20
Belgian Barns I, 60:24
A Day in Malmö, 56:20

- Brill, David**
A Canadian Work Party (photos), 25:11
Cabildo Roof Goes Up One, Two, Three (photos), 24:10
Habitat Photos, 13:6-10
- Brilliant, Frederic**
French Miscellany, 24:8
- Brittain, Bruce**
Letters: Keeping One's Head, 66:2
- Brock, Peter S.**
Design, Framework for Craft, 17:4
- Brooks, Dennis**
Letters: Misprinting, 51:3
- Brower, Jack**
Lawyer-Wellner House, New York State, 26:8
- Brown, Rick**
A Time Machine for Learning, 64:21
Raising an Obelisk, 54:4
- Brown, Wylly**
Highland Reminiscence, 52:16
- Brunel, Sam**
And Some [Engineering] Applications, 13:16
- Brungraber, Ben**
Business Roundtable, 59:16
Topics: King Ludd, or the Road Ahead? 49:2
Voyages of Brungraber: Summer, 42:10; Winter, 41:12
Pegging Design, 28:15
Visit to Germany, 27:4
On Dropping 115,000 Pounds, 25:16
Engineered Tension Joinery, 23:10
Pegging the Big Easy, 20:3
Chisel Sharpness Assessment, 20:5
Board Candidate biography, 12:9
Hints on How to Run the Railroad, 11:7
Tallest Timber Frame, 9:12
Log Building, 7:6
Allowable Stresses Proposed for Oak Timbers, 6:5
- Bryant, David**
Derrick House, New York State, 32:9
- Buck, Jim**
Contracts and Estimating, 9:6
Recent Raisings Ancient and Modern Style, 4:1
- Buck, Timothy Jr.**
And a Cautionary Tale, 10:7
- Buckle, Steve**
Hahn House, Ontario, 32:8
- Buckner, Edward**
Oak and the Pine Tree Mentality, 24:16
- Burch, Elliot**
Uneven Bunk Displacement and the Timber Framer, 14:5
- Buttner, Dennis**
House, Illinois, 42:15
- Buzerak, Michael and Joan**
Caverly House, Petersburg, N.Y., 21:6
- Carew, D.L.R.**
Conference Returns to Rensselaer (Troy '91), 19:1
Conference Success at Troy (Troy '90), 17:1
Products: Layout Template, 12:3
- Carr, Mike**
Framer's Journal: Hudson Valley Barns, 41:20
- Carradine, David, Scott M. Kent and Frank Woeste**
SIPs and SSPs are Not the Same, 60:8
- Cartrette, Katherine**
Habitat Designs Revised, 11:3
- Chambers, Robert W.**
Business Home Truths, 15:3
Letters: A Log Builder Speaks Out, 4:2
- Chapman, Cheryl**
Kicking Horse Bridge (photos), 62:4
- Chappell, Steve**
Second Western Conference Draws 140 to Timberline (Timberline '88), 7:1
Trade Fair Enlivens Conference, 2:3
- Chauvin, Tim**
Letters: Advertising, Maybe, 22:2
"House Makers" Reviewed, 15:2
- Chauvin, Tim and Wynter**
System for Emergencies, 22:9
- Christian, Rudy**
Business Roundtable, 59:16
Old Ways of Measuring, 44:5
Mortise Clues, 36:5
Malabar Memories (Malabar '95), 36:14
Letters: Reconsiderations, 30:2
Forebay Floor Framing, 28:13
Three Who Beat the Buster, 17:3
Tool Show and Tell, 13:15
Advanced Joinery Questions, 13:15
Before the Chips Fly (layout), 12:7
Board Candidate biography, 12:9
Letters: Education, 11:2
Before the Chips Fly (sharpening), 10:6
Before the Chips Fly (layout), 8:3
Before the Chips Fly (layout), 7:3
Super Joint, 2:1
- Churchill, Randy**
Letters: For Guild and Council, 46:2
- Clark, Terry**
An American in Russia, 30:12
- Collins, Jim**
Dog House, Pennsylvania, 42:15
- Collins, William**
Guelph '92, the Story of a Bridge, 25:4
- Courbet, Gus**
Notes from the Cruck Farm, 10:4
Notes from the Cruck Farm, 9:11
- Crabtree, Mark**
Guelph Bridge (panoramic photo), 25:8
Habitat Frames (panoramic photo), 13:4
- Cranston Timber Frames**
Martha's Vineyard Horse Barn, 54:24
- Crocco, David G.**
Plain Language Contracts, 40:4
- Currier, Nancy J.**
Topics: The Best We Can Do, 55:2
Topics: Forest Update '97, 44:2
Guild Notes & Comment (Forests), 42:18
Topics: Forest Bathing, 29:3
Topics: Organic Circles, 25:8
- Daley, Dan**
Selected Short Subjects, 13:15
Design Workshop Reviewed, 11:8
- Darm, Sean**
Books: *A Pictorial History of Chinese Architecture*, by Liang Su-Ch'eng, 11:3
- Dauerty, David J.**
Square Rule Methods, 45:4
St. Peter's Church, 40:9
- Daviss, Bennett**
Can a Building Heal a Community? 33:8
- Deplume, Norman**
New Venue for Western Conference (Big Sky, 1991), 22:1
Cabildo Roof Frame to be Built in New Hampshire, 21:1
National Conference Set for June, 15:1
Building Expert Challenges Timber Framers, 13:3
Katherine Cartrette Discusses Methods and Considerations, 13:13
Conference Preparations Complete, 12:1
1989 Conference Scheduled, 10:1
National Conference Reaches Out (Elizabethtown, '88), 9:1
Elizabethtown Conference Arranged, 8:1
- Dickson, Nancy**
Salvage in British Columbia, 57:4
- Doering, Carol**
D-I-Y in Alberta, 53:8
- Donahoe, Toni and Bob**
Tale of a Twister: Frame Put to Test, 4:4
- Duke, Violet L.**
Letters: Engineering, 16:2
A Geometer's Delight, 11:5
Timber Framing in Germany, 9:4
- Dunbar, Dick**
Letters: Design, 21:2
Letters: Maple, 7:2
- Dunn, Gary**
Topics: Standards, 16:10
- Eaton, Doug**
Helving a Broadaxe, 64:20
Handsaw Primer, 63:18
Light Frame Durability, 61:16
- Ellison, Ian**
Ervey House, Massachusetts, 32:10
- Ensminger, Bob**
Variant Log Sweitzer Barns in Pennsylvania, 48:5
- Erikson, Rob and Dick Schmidt**
Laterally Loaded Timber Frames:
V. Modeling the Strength and Stiffness of a 1S1B Frame, 66:4
IV. SIP Connection Behavior, 65:24
III. Sheathed Frame Behavior, 64:10
II. Two-Story Frame Behavior, 63:8
I. One-Story Frame Behavior, 62:2
- Ezzell, Li**
Field Report, 27:16
- Fast, Larry**
Design of a Spiral Stair, 57:14
- Fletcher, Rachel**
Proportioning Systems and the Timber Framer, 18:8
- Forsait, Richard**
. . . And a New One (Chrishall, Essex), 19:3
- Fox, James Howard**
Wildcat Cliffs Fitness Centre, 21:7
- Freeman, Paul and Randall Walter**
Timber Frame Nerds? 45:12
- Gardner, Bruce L.**
Pricing the Work, 17:12
Topics: Promotion, 6:6
Education Committee Minutes, 2:5
- Garlow, John**
PEG 1000: Degrade Prevention, 14:5
- Gee, Newman**
Ship's Knees, 24:9
- Goldberg, Mike**
Goldberg's Highland Journal, 51:9
- Grassi, Robert**
Mill Timber Framing, 44:3
- Green, Thomas O.**
Letters: Merit Badge, 16:2
- Greenwood, Alex**
Corncribs in the Delaware Valley, 48:4
New Jersey House Reconstruction, 36:4
- Greif, Andy**
Call for Abstracts, 11:2
Sharp Look at Stones, 9:10
- Grier, Ross**
Department of Clarification, 42:20
- Griswold, James W.**
A Guide to Medieval English Tithe Barns
- Guilhemjouan, Marc**
French Scribe III, 36:18
French Scribe II, 35:10
Introduction to French Scribe Layout, 34:8
- Haarmann, Peter E.**
Long Island, N.Y., Where Dutch and English Meet, 31:8
Long Island Roof Framing, 28:12
- Hadden, Rob**
Letters: Why Timber-Framed Walls? 64:3
D-I-Y Down Under, 58:18
- Hall, Marjorie**
A Little Crane History, 64:18
- Hamilton, L.**
Letters: Who's Who, 9:2
- Hamilton, Scott G.**
Letters: Dedication, 10:2
- Hand, Jay and Jay Welborn**
19th-Century Pavilion Reproduced (photos), 22:10
- Harvard, Peter M.**
Site Planning and Site Inventory, 26:5
- Hedges, Bob, with Peter Sinclair**
Raising Holes and Wing Pegs, 40:8
- Hewett, Cecil A.**
English Barns with Nailed Wind Braces, 47:14
Baythorne Hall (A Revision), 46:20
An Old English Joint, 34:16
Capitals, Scarfs and the Interdict, 33:4
- Hochstetler, Levi**
Letters: Medications, 8:2
- Home, Jim**
Glulams Looking Smoother, 24:16
- Howard, Richard**
Views of Concord Workshop (photos), 14:3
- Howell, Charles**
Letters: From the Troops, 27:2
- Huber, Greg**
Letters: A Farewell to Freddie, 66:2
Mammoth Lesson, 52:3
Pennsylvania Barn in New Jersey, 48:5
Dutch Barn Wood Species, 46:8
Cantilevered Dutch-American Barns, 43:8
18th-Century Ulster Co. Lap Dovetail Dutch Barns, 41:9
Two Ulster County Barns, 36:4
Mammoth in Monmouth County, 24:13
Wemple Barn, 24:8
- Hume, Ken**
Visit to Finland, 62:19
- Ireton, Kevin**
What is Fine Home Building? 40:18
Tidewater Virginia, 9:7
- James, Roderick**
Lake House, Gloucestershire, 21:7
- Jin, Yuxiang**
Chinese Traditional Framing III, 20:8
Chinese Traditional Framing II, 17:8
Chinese Traditional Framing, 16:8
- Just, Peter**
House Building in Donggo, 16:6
- Keir, Bill**
Business Roundtable, 59:16
Books: *A Guide to Medieval English Tithe Barns*, 55:24
Topics: Spar Wars, 53:3
Letters: Trussed, 20:2
- Kent, Scott M., David Carradine and Frank Woeste**
SIPs and SSPs are Not the Same, 60:8
- Keroux, Buck**
Moisture Control, 9:4
- Kessel, Martin H. and Ralf Augustin**
Load Behavior of Connections with Pegs II, 39:8
Load Behavior of Connections with Oak Pegs, 38:6
- Kirby, Sam**
Maine Rendezvous (Green Island '95), 38:15
Natural Straw-Clay Wall Systems, 35:6
- Kohler, Joe**
Books: *Consumer Guide to Home Energy Savings*, by Alex Wilson, 20:2
- Kohler, Joe and Dan Lewis**
Timber Frame Heating and Ventilation, 18:6
- Kovacik, John**
Ellesdie Chapel, 48:7
- Kricker, James and Stephen G. Young**
High Horse Wheel, 31:10
- Landau, Charles**
Letters: Charles Landau replies, 28:5
Joinery Decisions, 27:10
Infill System for the Lancy House, 21:9
West Coast Frame Raised in Japan, 3:4

- Landau, Judith**
Lancy House, Bainbridge Island, Washington, 21:8
Nash House, Port Townsend, Washington, 17:10
1990 W. Conference, Design: Theory, 15:4
Letters: Thanks, 13:2
- Lane, Darryl and Alfredo Rico**
Rico House, Ontario, 18:1
- Lang, Jeremy**
Westchester House, N.Y., 21:6
- Lange, Norman**
Topics: Insurance, 22:9
- Lanoué, David E.**
Composite Massachusetts Barn, 36:4
- LaPorte, Robert**
Letters: Straw-Clay, 36:2
Panel Panel Delivers Report, 2:4
- Latané, Tom**
Hands and Machines, 51:3
- Lawrence, Steve, Paul Price and Ken Rower**
A New Roof at Scotland's Stirling Castle, 47:4
- Lawson, Richard**
Cabildo Goes Up One, Two, Three (photos), 24:10
Harmondsworth Copy, 24:8
- Lee, Lance**
Craft as Myth in Modern Communities, 28:7
- Lee, Leonard**
Lee's Chiselology (sharpening), 9:6
- Lehmer, Dale**
Barn Dismantling, 31:8
Taking Down Timber Barns, 32:4
- Leonard, George M.**
Forest Service Replies Again on Old-Growth, 13:2
Forest Service Answers Guild on Old-Growth, 11:2
- Levin, Ed**
Building the Norwell Crane, 64:14
Traditional Frame Engineering, an Exchange, 61:4
Business Roundtable, 59:16
Highland Fling, 50:14
Hammer-Beam Roofs II, 49:1
Hammer-Beam Roofs I, 48:12
Building the Lexington Bellfortis, 44:10
Joint Engineering II, 39:12
Joint Engineering, 38:10
Globe Theatre, 31:10
Frame Engineering, 30:7
Apprenticeship, 24:8
Framing the Cabildo Roof, 23:8
Breaking New Ground, 22:3
Hip and Valley Framing III, 21:15
Hip and Valley Framing II, 19:5
Hip and Valley Framing, 17:6
Guild Directors Meet (Troy '90), 17:3
Forester Sets Out Rational Long-Term Management Plan, 15:6
Board Candidate biography, 12:10
'89 Conference Broadens Range, 11:1
Wood for the Future, 10:3
Commentary (forestry), 9:8
French Scribe Rule, 8:5
Double Raising at Brattleboro Museum, 6:4
Marlboro 1986: A Considered Appraisal, 2:8
- Lewandoski, Jan**
Kenozero and Timber Buildings in Northwest Russia, 66:18
Extinct Framing: Railroad Bridge Trusses, 44:4
Books: *The Colossus of 1812*, by Lee H. Nelson, 42:2
Erection of Church Steeples, 36:6
Brief Reviews: Bell, Kelley, Haupt, 32:3
Restoration Strategies, 31:12
Tying Joint Variation VII, 30:16
Wilson Barn, 24:9
Industrial, Pre-Industrial Framing, 20:6
Letters: Long Timber, 16:2
Problem of Long Timbers, 16:3
Windsor-Cornish Repairs Proceed, 12:10
Board Candidate biography, 12:10
Long Two-Span Wooden Bridge Under Repair, 11:10
Vermont Framer's 1799 Diary, 10:4
Vermont Church Roof Frame Reproduced, 3:3
- Lewis, Dan and Joe Kohler**
Timber Frame Heating and Ventilation, 18:6
- Ley, Russell**
Canadian Work Party (photos), 25:11
- Lidholm, Lyle E.**
Early Wisconsin Framing, 12:3
Letters: Mortiser, 7:2
- Lindsey, Gail**
Ethical Design and Construction, 33:11
- Little, George**
Early Mortising Technology, 22:12
- Lukian, Doug**
Saving Ontario's Old-Growth, 22:8
- Lundin, Erik**
(Norwegian Gazebo), 66:32
- Luthi, Chris**
Booneville, California, House, 37:8
- Macdonald, Gordon**
Building the BBC Ballista, 65:10
- Madigan, Chris**
TTRAG 2001 (photos), 60:6
- Business Roundtable, 59:16
One Man's Castle, Bell-Tower, N.H., 26:9
Topping Out, 24:8
Peter McCurdy Surveys Repair Methods, 2:2
Message from the President, 1:4
- Magee, Mack**
Earthquakes and Timber Frames, 16:4
Engineers, Bolts and Glulam, 15:7
Direction for Joint Design, 15:7
Visual Stress Grading Revisited, 14:6
Elements of the Dream Shop, 13:7
Testing Committee Report, 11:8
Grading Workshop Success, 11:9
- Marcom, Dennis**
Professor Brungraber Lectures, 2:5
- Mark, Robert**
Solving a Structural Enigma: Westminster Hall's Hammer Beam Roof, 30:4
- Martin, Paul**
Recent Raisings Ancient and Modern Style, 4:1
- McCann, John and Leigh Alston**
Timber-Framed Dowecote in Suffolk, 52:4
- McCarty, Joel C.**
Rendezvous '02 (Norwell Crane), 64:24
Kicking Horse Bridge, 62:4
Notes & Comment (UK, Sweden, Denmark, Canada), 59:2
Notes & Comment (Gould Farm, UK, Iceland), 57:2
Guild Notes & Comment (TFBC), 40:21
Topics: Ontogeny or Phylogeny? 38:2
Guelph Bridge Designed, 23:1
Letters: Guelph Bridge Advice, 23:2
Guild E-Mail, 20:2
Topics: Specifications, 20:5
Slide Show Raises Questions, 2:2
- McCurdy, Peter**
Reconstruction of London's Globe, 37:2
New Globe for London, 36:5
- McEnnerney, Matthew**
Reproducing Shakespeare's Globe, 23:6
- Meysner, Jürgen**
German Roof Layout II, 34:10
German Roof Layout I, 33:14
Pricing the Work III, 19:3
Letters: German Conference, 16:2
- Miller, Randy**
A Gazebo in Philadelphia, 36:10
- Milton, Curtis**
Guild Notes & Comment:
A New Executive Directorate, 50:2
- Miyasaka, Kimihiro**
A Viewpoint for Wooden Architecture, 35:3
Hanshin Earthquake, 36:8
Fukagawa School, Nagano, Japan, 32:11
- Mori, Shigehiro**
Topics: Toishi (stones), 8:6
- Mullen, Grigg II**
Lifting the Ballista, 64:16
Trébuchet for Virginia Military Institute, 44:8
- Mumaw, John W.**
Techniques: Sharpening Chains, 11:8
- Murphy, Brian**
Topics: Handwork, 47:3
- Murray, Scott**
1868-1873 Framer's Journal, 31:11
Guild Notes & Comment (Fishkill '93), 28:18
Bridge for Guelph, Ontario, 21:5
Second Canadian Conference (Orilla '91), 20:1
Traditionalists Establish Group, 18:2
Canada '91, 18:3
- Musco, T.G.**
Topics: Suspenders, 13:6
- Nagelbach, Fred**
Timber Frame Sculpture, U.S. Society, 10:5
- Nash, L. Andrew**
American Timber Frame, 37:10
Preservation vs. Restoration, 31:9
Restoration Objectives, 24:9
Forebay Barn Origins Explored, 13:14
- Neel, W. Wayne**
Design Considerations for a Large Trébuchet, 44:12
- Nehil, Thomas**
Letters: And *More* on Purlin Plates, 64:2
Traditional Frame Engineering, an Exchange, 61:4
- New Jersey Barn Co.**
Edmund Burroughs House, 37:6
- Norlander, Susan**
Kitchen Notes from Dolly Copp, 42:8
- Null, Janet**
House and Studio, Minnesota, 26:8
- Oatman, Paul**
Sutter's Mill, Some History, 63:4
Timber-Framed Barns of Carson Valley, 56:4
Oatman's Last Voyage: Ludlow to London via Dublin, 53:16
Voyages of Oatman: Poland, 58:14; Cambridge and Warwickshire, 52:12; Suffolk and Essex, 51:6; The Netherlands, 49:6; Hessen, 48:8; Chartres: 47:17
- Oesterle, Leonhart**
(Timber-framed chair), 61:32
- Orpin, Jonathan**
Business Roundtable, 59:16
Topics: Council Update, 51:2
Books: *Seeking Structure from Nature: The Organic Architecture of Hungary*, by Jeffrey Cook, 48:2
Dining Rotunda in Syracuse, 38:4
Letters: On Longevity, 36:2
Topics: On Longevity, 34:2
Letters: Eastern Old-Growth, 30:3
Cellulose Alternative, 29:6
Letters: Tedd Benson, 28:2
Letters: Apprenticeship, 24:2
Letters: Generosity, 21:2
Letters: Cautions, 18:2
Letters: Apprenticeship, 15:2
1990 Western Conference: Business Start-Up, 15:5
- Oswald, Anthony**
Barn Symposium, 9:5
- Overbay, Jim**
New Perspectives on National Forests, 21:12
- Palmer, John**
Letters: Exchange Program, 13:3
- Pankratz, Bruce**
Topics: Six Paradoxes, 32:3
Letters: Class Envy? 28:2
- Peters, Tom F.**
(Light)-Framing American Culture, 31:3
- Petrescu, Paul**
Wooden Vernacular Architecture in Romania, 21:10
- Pfotenhauer, Rodney**
Baker House, Michigan, 37:8
- Pickard, Chris**
Hayter House, Ontario, 18:12
- Pinneo, Tom**
Bethlehem Conference Commentary, 42:13
- Porschitz, Hans R. and Bernhard Schwarz**
Wood Shavings as Insulation? 61:24
- Price, Paul**
Less Cackling, More Eggs! 50:8
New Roof at Scotland's Stirling Castle, 47:4
(with Steve Lawrence and Ken Rower)
Winchester Cathedral's South Transept Roof, 46:4
(with John Winterbottom)
Double-Cutting and Historic Scribe Framing, 40:16
Williamsburg '95, An English View, 37:14
Charlton Court Barn, a Medieval Frame and its Conservation, 34:4
- Proulx, David**
Massachusetts Barns, 28:14
- Reed, John**
Old-Growth Symposium Yields Basic Agreements, 19:10
Midwest Region Meets, 11:7
New Election Procedure, 6:5
Stress Values to be Established for Oak Timbers, 3:2
Testing Committee Meeting Minutes, 2:6
- Revel, Ryan**
Modern House for Maryland Shore, 10:8
- Reynolds, Peter**
PHELPS HOUSE, New York State, 32:10
- Rich, Mark B.**
Pythagorean 345, 48:20
Letters: Advertising, No, 22:2
- Rico, Alfredo and Darryl Lane**
Rico House, Ontario, 18:1
- Riley, Martin and Pascal Viel**
Mackel House, Indiana, 18:12
- Robinson, Kendall W.**
Silhouettes: Hugh Lofting, 22:5
Topics: D-I-Y II, 17:2
- Roehm, George H.**
Letters: Suggestions, 31:2
- Rogers, Jim**
How to Make a Commander, 61:14
- Rothert, Paul and W. Bradford Swanson**
Surprising Inversion, 10:7
- Rower, Ken**
Notes & Comment (Asilomar 2001)
Notes & Comment (Montebello 2000), 58:2
Guild Notes & Comment (Fairlee '99), 54:3
Visit with Jim Kricker, 54:10
Books: *Timber Construction for Builders and Architects*, by Eliot Goldstein with Robert Smulski, 52:20
New Roof at Scotland's Stirling Castle, 47:4
(with Steve Lawrence and Paul Price)
Books: *English Historic Carpentry*, by Cecil Hewett (first American edition), 46:20
Amherst Conference (Amherst '97), 45:6
Bethlehem Conference (Bethlehem '96), 42:13
Books: *Architectural Technology up to the Scientific Revolution*, edited by Robert Mark, 38:3
Annual Meeting '95 (Williamsburg '95), 37:16
Books: *Silent Spaces: The Last of the Great Aisled Barns*, by Malcolm Kirk, 35:2
Guild Notes & Comment (Skamania '95), 35:14
Guild Notes & Comment (Nacogdoches '94), 32:14
Newbury Methodist Church, 31:10

- Books: *Dwelling, Seeing & Designing*, by David Seamon, 29:2
- Bridge Triumph in Canada (**Guelph '92**), 25:1
- Canadian Work Party (photos), 25:10
- 91 Elections and Meeting Ring Changes (**Troy '91**), 21:1
- SBA National Resource Development Plan, 21:14
- Elections, 20:2
- Oregon Conference Issues (**Timberline '90**), 18:1
- Canadian Group Takes Shape (**Alliston '90**), 16:1
- Old-Growth Policy Announced, 15:1
- Concord Workshop Success (**Concord '89**), 14:1
- Views of Concord Workshop (photos), 14:3
- Habitat Jubilation at '89 Conference (**Habitat '89**), 13:1
- Western Conference (**Fort Worden '89**), 13:1
- Habitat Frames Readied for Raising, 12:1
- Habitat Frame Underway, 11:1
- Bridge Design Competition Announced, 11:1
- Western Conference Surveys Design, Joinery, Business (**Timberline '88**), 11:4
- Board Sets Major Goals for 1989 (**Chebeague '88**), 10:1
- Richard Harris Describes "Language of Carpentry," 9:3
- Professional Directory to Appear, 8:1
- Election Procedure Explained, 8:4
- Resource Committee Acts, 8:5
- Directors Chart Course for 1988 (**Portsmouth '87**), 6:1
- 500 Attend 1987 Conference (**Poultney '87**), 5:1
- Vermont Museum Sets Raisings, 5:1
- Committees: Bennett Heads Testing, Gardner Carries On, Lukian Takes Chair 5:2-3
- Directors Meet, Elect Officers, Review Events, 5:3
- Wide Ranging Workshops Enrich Weekend, 5:4
- Tips on Getting Them up without Breaking Anything, 5:5
- Recent Work in Slide Show III, 5:5
- Len Brackett on a Japanese Apprenticeship, 5:6
- New Tools and Materials at Show, 5:7
- Members Raise Issues at Annual Meeting, 5:8
- Recent Raisings Ancient and Modern Style, 4:1
- Western Meeting Brings 100 Framers to Oregon Mountain (**Timberline '87**), 3:1
- 1987 Conference Set for Vermont, 3:1
- West Coast Frame Raised in Japan, 3:4
- 325 Attend 1986 Conference (**Marlboro '86**), 2:1
- Business Meeting Adopts Bylaws, 2:2
- Directors Annual Meeting Minutes, 2:3
- Conference Committee Meeting Minutes, 2:5
- Guild Conference Draws 200 (**Hancock '85**): Officers; Directors Meetings; Business Meeting; Timber Framing and the Landscape; The Whole House; The Timber Framing Business; Mortise and Tenon Test Suggests Joint Revision; Slide Show; Committees, 1:1
- Russell, Paul**
Traditional Frame in West Sussex, 29:8
Letters: Sussex Report, 28:3
- Saeger, Laura**
Framer's Notebook: Amulets, 33:13
New Gates for Lock No. 36, 24:14
Timber Frame House: Its Place in America, 13:13
- Sample, Randy**
Guild Achieves First Public Planting, 21:4
Regional Conferences Announced, 9:1
Genesee Barns, 9:5
- Sampson, R. Neil**
Appeal to Plant More Trees, 21:14
- Sasala, Rick**
Notched vs. Mortised Joinery, 43:4
- Schmidt, Dick**
Lateral Stiffness, an Exchange (with Terry Weatherby), 63:2
My Lunch With Helmut and Sebastian, 59:18
Joint-Busting at Amherst, 45:3
Books: *Timber Solutions Manual*, by David W. Duquette, 45:2
Behavior of Connections Commentary, 39:11
- Schmidt, Dick, with Rob Erikson**
Laterally Loaded Timber Frames:
V. Modeling the Strength and Stiffness of a 1S1B Frame, 66:4
IV. SIP Connection Behavior, 65:24
III. Sheathed Frame Behavior, 64:10
II. Two-Story Frame Behavior, 63:8
I. One-Story Frame Behavior, 62:2
- Schwarz, Bernhard and Hans R. Porschitz**
Wood Shavings as Insulation? 61:24
- Seki, Yuko**
Tale of Two Saunas, 47:9
- Sexton, James**
Tying Joint Evolution, 36:12
- Silverstein, Murray**
Is Place a Journey? 24:4
- Sinclair, Peter**
Hay Barracks, 36:5
New World Dutch Barns, 28:12
- Sinclair, Peter and Bob Hedges**
Raising Holes and Wing Pegs, 40:8
- Simmons, David A.**
Romance and Symbolism of Covered Bridges, 40:8
- Smith, Andy**
Aftermath, 50:20
- Smith, Gregory**
Town House, Saltsburg, Pa., 37:
- Smolen, John**
Giddings Road Bridge, 40:10
- Sobon, Jack A.**
Letters: More on Purlin Plates, 62:3
Historic American Timber Joinery, A Graphic Guide:
VI. Scarf Joints, 60:10
V. Roof Joinery Excluding Trusses, 59:6
IV. Wall and Brace Joints, 58:6
III. Sill and Floor Joints, 57:6
II. Tie at Plate, 56:8
I. Tie Below Plate, 55:4
Of Sapwood and Water, 43:10
Books: *Historische houtconstructies in Nederland*, by G. Berends, 43:2
Letters: Rolling Plates? 40:2
Traditional Techniques and Shortcuts, 39:4
Tying Joint Variation X, 38:20
What Can an Off-Cut Tell Us? 37:9
French Snap, 36:4
Tying Joint Variation IX, 35:13
Tying Joint Variation VIII, 33:16
A Simple 18th-Century Quaker House, 31:6
Scribe Rule, Square Rule, 31:9
[For Tying Joint Variation VII, see Lewandoski, 30:16]
Adzed Beams? 28:13
Letters: Joinery, 28:3
Tying Joint Variation VI, 28:20
Tying Joint Variation V, 27:18
Tying Joint Variation IV, 26:16
Cruck Apexes, 24:9
Tying Joint Variation III, 23:12
Tying Joint Variation II, 21:16
An Ancient English Frame, 19:2
Silhouettes: Mystery Man (Paul Martin), 18:4
A Variation on the English Tying Joint, 14:6
Johannes Lawyer Barn, 12:6
Pitch, Measure, Proportion, 9:3
Visit with the Canadian Log Builders, 7:5
Ancient Barn Surveyed (Harmondsworth), 7:6
Pilgrim Dugout, 4:3
New Fort for 17th-Century Village, 3:2
Richard Babcock Discusses Early Barns, 2:3
- Sollman, Phil**
Books: *Timberframe*, by Tedd Benson, 56:2
- Sousa, Jill**
Wake House, Blanchard, Wash., 37:7
- Southworth, Tom**
Lost Nation Cabin, Lancaster, N.H., 42:15
- Stahle, D.W.**
Letters: Dendrochronology, 33:2
- Stevens, John R.**
Dutch-American Timber Framing, 44:6
- Strauss, Tom and Meta Wahlstrom**
Letters: Kudos
- Sturgis, Arron**
South Berwick, Maine, Churches, 44:4
- Sullivan, John**
Campbell Residence, Hualalai Walkway, 51:5
- Swanson, W. Bradford and Paul Rothert**
Surprising Inversion, 10:7
- Tarule, Rob**
Early Woodworkers in Massachusetts Bay, 54:16
- Thompson, Nancy J.**
Topics: D-I-Y, 14:2
- Topi, Ludovico**
A Return to Order, 13:12
Are Timber Frames Well Designed? 9:7
- Troth, Dan**
Ross County Barns, 40:1
- Turney, Terry**
Timber Frame Foundations, 17:11
- van Beest, Koby**
Topics: Pegs, 10:5
- van Olst, Ellen L.**
Traditional Farm Types of the Netherlands, 27:6
- Viel, Pascal and Martin Riley**
Mackel House, Indiana, 18:12
- Vincent, Jonathan**
Books: *The Old Way of Seeing*, by Jonathan Hale, 41:2
Books: *Norwegian Wood: A Tradition in Building*, by Jerri Holan, 40:3
- Vogel, Neal A.**
A Traditional Dutch Frame in New York, 19:8
- Wahlstrom, Meta and Tom Strauss**
Letters: Kudos
- Walter, Randall and Paul Freeman**
Timber Frame Nerds? 45:12
- Warchaizer, Andrea**
Compact Design in New Hampshire, 59:4
Exhibitions: *Mechanical Marvels in the Age of Leonardo*, by Paolo Galluzzi, 47:2
Books: *Earth to Spirit*, by David Pearson, 39:2
- Weatherby, Terry**
Lateral Stiffness, an Exchange, 63:2
- Wechsler, Peter**
Japanese Teahouse in Maryland, 51:4, 20
- Welborn, Jay and Jay Hand**
19th-Century Pavilion Reproduced (photos), 22:10
- Welsh, Heidi**
A Korean Pavilion in D.C., 65:4
- Whitefield Wetlands Study Gazebo Consortium**
Gazebo, 45:8
- Wilkins, Alan**
The Graeco-Roman Stone-Throwing Catapult, 64:18
- Wilkins, Nancy**
Sustainable Forestry, 27:15
Guild Notes & Comment: Sunny Days Ahead, 27:19
New Perspectives Commentary, 21:14
Timber Framer's Journal, 20:6
Apprentice Program Underway, 17:10
Pricing the Work II, 17:12
- Wilson, Kevin**
Letters: Hugo, 14:2
- Wingender, Jörn**
German Frame Typology III (Roofs), 52:7
German Frame Typology II, 51:16
German Frame Typology, 49:4
- Winter, Amos G.**
Letters: Foam Wars, 4:3
- Winterbottom, John and Paul Price**
Winchester Cathedral's South Transept Roof, 46:4
- Witherington, Jack**
Topics: A Student's Journey, 61:2
- Witter, Mark**
Topics: Why Do We Build Timber-Framed Walls? 62:2
Books: *Barns of Roots America*, by Richard Babcock, 33:3
Guild Notes & Comment (Historic Review), 31:14
Guild Notes & Comment (**Buckssteep '93**), 30:15
Guild Notes & Comment (**Rindge '93**), 29:15
Guild Notes & Comment: A Miscellany, 27:19
Silhouettes: Hewer of Wood (Tim Berube), 26: 4
Silhouettes: The Arch-Druid (Brendan Costello), 24:12
Products: Junior Crane, 23:5
Back to the Fundamentals, 13:5
Products: Rope Comealongs, 9:11
Education Committee Reports, 9:11
- Woeste, Frank and David Carradine and Scott M. Kent**
SIPs and SSPs are Not the Same, 60:8
- Wood, Garland**
Southern Timber Frame Origins, 60:18
- Woodburn, Preston**
French Compagnonnage Briefly Explored, 13:14
- Wormington, Brian**
Topics: Eyes Wide Shut, 53:2
Guild Notes & Comment, 49:12
- Wormington, Janice**
Holding the Timber Framing Industry Together, 53:13
Bonnie Trip to the Land of Chips, 50:4
Silhouettes: Swords into Ploughshares (Tom Harris), 46:12
How I Spent My Spring Vacation, 44:15
- Wroblewski, Al**
Letters: Kudos
- Yancy, Margaret**
Guild Notes & Comment: Economics, 31:15
- Yater, Wallace M.**
Letters: Circles and Squares (Lüneburg Crane), 65:2
- Yonne, George**
Leaf Springs, 24:9
- Young, Jim**
How to Plot a Site Plan, 23:3
Directions: West, South and North, 22:3
Directions: News and Progress, 21:3
Directions: Introductory, 20:3
- Young, Stephen G. and James Kricker**
High Horse Wheel, 31:10

A Boring Essay

TO DRAWBORE or not to drawbore? I had been a framing and finish carpenter for over 20 years when I decided to build a timber frame in the Sierra foothills of California where, thanks to a six-year drought, I had a large stand of bug-kill trees. With a Sperber chainsaw mill, I squared the logs into timbers and dimension lumber. I owned a slick and framing chisels from my days back East, and I roughed out the mortises with a right-angle drill. I had two books for technical instruction: Jack Sobon's *Timber Frame Construction*, written with Roger Schroeder (Pownal, Vt., Storey Publications, 1984), and Tedd Benson's *Building the Timber Frame House*, written with James Gruber (New York, Charles Scribner's Sons, 1980). I decided to do my frame traditionally, using continuous top plates; stick framing, the child of timber framing, preserves this principle, and it was familiar to me.

The one thing that seemed intimidating was the business of drawboring. Benson argued that comealongs made drawboring obsolete—it was just a matter of buying more equipment to draw the joints together before pinning. Sobon argued that drawboring would give a tighter fit to the frame. It seemed easier to go the comealong route, but I thought to do so would violate a cardinal rule of construction—that anything done on the ground is more cost effective than if done in the air. I decided to conduct a test—drawbore a brace to a post. When I drove the pin through the post, the brace closed so tightly that it looked grown in place. I was a believer and canceled my order for a truckload of comealongs. A number of years later, I was assembling some 32-ft. queenpost trusses, and I had $\frac{3}{8}$ -in. gaps between the bottoms of the queen posts and the 8x12 bottom cord. I fastened my one comealong to the center of the straining beam and the center of the bottom cord. It pulled it up $\frac{3}{16}$ and died. The pinholes were still offset. With 8 in. of relish on the queenpost tenons, I threw caution to the winds. My helper Jason and I simultaneously drove the pins. They sucked the joints up tight and loosened the comealong. Now I was not just a believer, I was a fanatic!

AS FAR as I can determine, the process of drawboring was first described in English by Joseph Moxon in 1678, when he was elected a Fellow of the Royal Society for Improving Natural Knowledge and began publishing how-to pamphlets on smithing, joinery, carpentry, turning and bricklaying; the series was completed in 1680. Drawboring has been cited in dictionaries and described in builders' manuals since Moxon's for over 300 years. Drawboring, then, is a well-established element of timber framing.

The citations that follow are by no means exhaustive, but I believe they show drawboring's continuing importance in a timber frame. Under *Draw*, the latest (2001) edition of *The Oxford English Dictionary* lists "draw-bore, a pin-hole through a tenon, so bored that the pin shall draw the parts together; hence draw-bore." The OED cites J. Smith, *Panorama of Science and Art* (1812-16) I, 120, "Draw-bore pins are used in forcing a tenoned piece into its proper place in the mortise" and P. Nicholson, *Practical Building* (1823), 232, "the draw-bore Pin, or Hook-pin [used] for draw-boring." The latter references might be to the alignment tool used to pull an assembly into place before fitting the wooden pin.

In his *Mechanick Exercises* (Morristown, N.J., The Astragal Press, 1989 reprint of 1703 edition), Moxon describes offsetting the drawbore using piercer (a brace) and pricker (an awl). "Then with the Piercer pierce two holes through the Sides, or Cheeks of the Mortess. . . . Then knock the Tennant stiff into the Mortess,

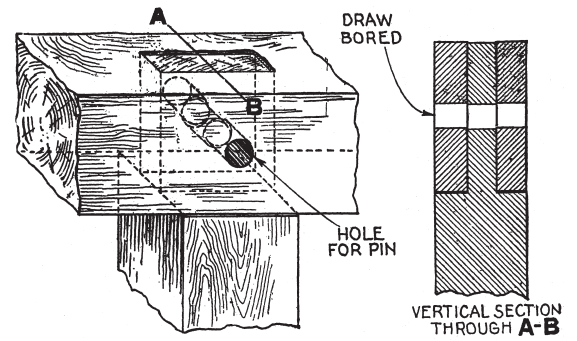
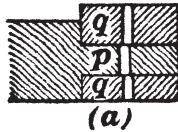
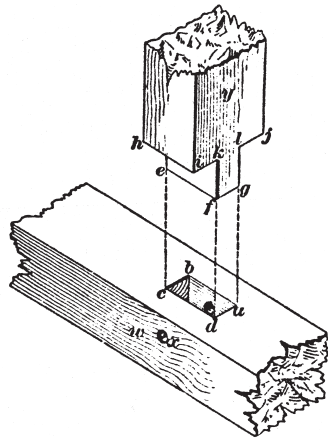
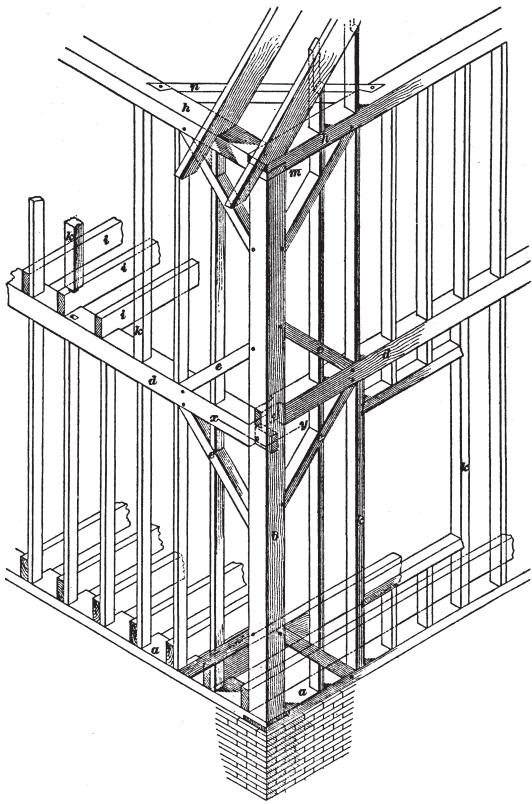
and set it upright, by applying the Angle of the outer Square, . . . and with your Pricker, prick round about the insides of the Pierced holes upon the Tennant. Then take the Tennant out again, and Pierce two holes with the same Bit, about the thickness of a Shilling above the Pricked holes on the Tennant, that is nearer the Shoulder of the Tennant, that the Pins you are to drive in, may draw the Shoulder of the Tennant the closer to the flat side . . . the Mortess is made in. Then with the Paring-chissel make two Pins somewhat Tapering, full big enough, and . . . drive the pins stiff into the Pierced holes" (pp. 87-88).

In his introduction to *The British Carpenter* (London, C.&J. Ackers, 1753), Francis Price argues against the practice of drawboring, which we may take to be the normal practice of the day, in the special case of twinned or paired tenons, here called double tenons: "Here also observe, never to make double tenants or tenons for bearing uses, such as binding-joists, common joists or purlins; for, in the first place, it weakens very much what ever you frame into it; and, in the second place, it is a rarity to have a draught in both tenons, that is, to draw your joint close to the pin; for the said pin, by passing through both tenons, (if there is a draught in each) must bend too much."

In the glossary of *The Carpenters Assistant* (Glasgow, Blackie & Son, Ltd., 1869), James Newlands defines *draught* thus: "In carpentry and joinery, when a tenon is to be secured in a mortise by a pin passed through both pieces, and the hole in the tenon is made nearer the shoulder than to the cheeks of the mortise, the insertion of the pin draws the shoulder of the tenon close to the cheeks of the mortise, and it is said to have a draught." *Draw-bore* is given as "A hole pierced through a tenon, nearer to the shoulder than the holes through the cheeks [are] from the abutment [with] which the shoulder is to come into contact." Newlands also defines a small form of drift pin, apparently once in use by joiners of doors and furniture: "Draw-bore pin—A joiner's tool, consisting of a solid piece or pin of steel, tapered from the handle, used to enlarge the pinholes which are to secure a mortise and tenon, and to bring the shoulder of the rail close home to the abutment on the edge of the style. When this is effected, the draw-bore pin is removed, and the hole filled up with a wooden peg."

In American manuals, William Bell, in *Carpentry Made Easy* (Philadelphia, H. Challen, 1875), specifies: "The draw bores should be 1 inch in diameter, and $1\frac{1}{2}$ inches from the face of the mortice. The draw bore through the tenon should be $\frac{3}{16}$ of an inch nearer the shoulder than that through the mortice, in order to draw the work snugly. The proper way to make a draw pin for an inch bore is, first, to make it an inch square; then cut off the corners, making it eight square, then taper it to a point, the taper extending one third the length of the pin. The pin should be about 2 inches longer than the thickness of the timber" (pp. 51-52). In a later passage on barn construction, Bell says, "In the tenons, let the draw bores be 2 inches from each side, and about one fourth of an inch, in large tenons, nearer the shoulder than the draw bores of the mortices. Great care should be observed to have the draw bores perfectly plumb; and workmen should be cautioned against making a *push bore*, as it is called when not plumb" (p. 55).

Twenty-five years later, the International Library of Technology (Scranton, Pa., International Textbook Company, 1899), a precursor of the Audel's *Guides*, differs from William Bell in the length of taper specified for the pin and the amount of offset recommended; the author seems to be discussing hardwood framing. "These mortise joints are nearly always secured in place by means of a draw-



FIGS. 1,774 and 1,775.—Basis of the full frame: the mortise and tenon joint draw bored.

Illustrations from *Audel's Guide* (1923), above, and the *International Library of Technology* (1899), left, showing drawboring as standard operating procedure even as timber framing declined in use. At far left, ILT illustration of a composite frame of the day, sometimes called a "braced frame," as distinct from a "full frame" (all heavy members) or a balloon fame (all light members).

bore pin, which is inserted as follows: After the mortise is cut, and the tenon is accurately fitted to it, a hole is bored in the timber, squarely through both cheeks of the mortise. . . . The position of the hole is accurately marked on the tenon but [re]located from $\frac{1}{8}$ inch to $\frac{1}{4}$ inch nearer the shoulder than the marks made through the hole of the mortise. When the tenon is now inserted in the mortise. . . . a wooden pin is then driven through these holes, and by forcing them into line it brings the shoulders of the tenon *p* tight up against the cheeks of the mortise *q* [illustration (a) above], thus making the joint firm and secure, as well as free from any liability to work itself loose. This wooden pin, usually called a tree-nail or draw-bore pin, should be cut from a piece of straight grained, tough, and durable wood, preferably locust or oak, about 1 inch to 1½ inches square on the ends, and about 2 inches more in length than the mortised timber is in thickness. The corners are planed off, bringing it down to an octagonal shape on the ends, and its sides are then slightly tapered about one-fourth the length, so that the pin will enter the draw bore. If through carelessness, or error in measurement, the hole in the tenon is not slightly nearer the shoulder than the hole in the mortise, the joint will not be tight, and may result in what is called a push bore, which is a term given to this joint when the driving of the pin loosens the pieces instead of tightening them" (pp. 33-34). (Note that a push bore is not cause to discard a tenon; its correction with a glued plug and a rebore creates no additional weakness.)

In *Audel's Carpenters and Builders Guide 3, House and Roof Framing* (New York, Theo. Audel & Co., 1923), a drawboring illustration (above right) opens the chapter on house frames. Timber framing is referred to as full framing, and the draw-bored mortise and tenon joint is called the "basis" of the construction method.

F. W. B. Charles (see TF 66) writes, in his famous work *The Conservation of Timber Buildings* (London, Hutchinson & Co., 1984), "The subject of framing cannot be left without a note on the finer details of framing methods. First, draw-boring is of fundamental importance in obtaining a tight frame. The outer wall of the mortice, after the tenon has been inserted for the first time, is drilled, and the tenon just marked with the bit. It is then withdrawn and the tenon drilled an eighth, perhaps as much as a quar-

ter of an inch nearer to the tenon's shoulder; sometimes the entry into the hole for the peg is eased off, making a slightly spooned-out ellipse. Meanwhile the mortise member is drilled right through, before the tenon is replaced. When the frame is finally erected, the peg is driven in for the first time, tightening the joint as it goes in and biting at the interface of the two components. The pegs are left projecting, to be finally hammered in as the last job. They were never sawn off flush either at the upper or lower side, though the points might be cut back, particularly where they could be dangerous" (p. 73).

In Jack Sobon's *Timber Frame Construction*, drawboring and pin shaping take up almost three pages, including five drawings showing the direction of the offset. The double offset of brace tenons, to draw the brace home against both of its bearing surfaces, is clearly illustrated. On the latter-day technique of clamping and drilling in place, he observes: "This clamping system has some disadvantages. Once the joint is unclamped, it may withdraw slightly or, during the raising, stresses may loosen it, for it does not have the built-in pre-stressing that the drawpinning system has. Another disadvantage is that many clamps and comealongs are needed."

Drawboring is fundamental to timber framing, not only because it gives a tighter fit but also because it's more efficient. It's disheartening that some newer books on timber framing ignore this time-honored technique while perhaps even using the word "traditional" in their titles. In *A Timber Framer's Workshop: Joinery, Construction and Design of Traditional Timber Frames* (Fox Maple Press, 1984), Steve Chappell says of a certain pair of drills, "They're both light enough for one-hand drilling (a must for pegging above the head)" (p. 26). Apart from breaking the cardinal rule earlier cited—any work that can be done on the ground should be—drilling in place for pegs also increases crane time, not to mention the inconvenience and perhaps the danger of crawling through timbers hauling an extension cord and a cumbersome drill.

There is no guesswork involved in drawboring as long as you can read a ruler. And if you cut mortises and tenons accurately, there is no need to prefit the joints in square rule frames.

The problem of accurately drilling the pinhole across the mortised piece can be solved in various ways (see "Timber Framing for Beginners," TF 66). I use a boring machine, and I prefer the Millers Falls model because it's easy to adjust and dead accurate. Shakespeare might have said, had he not been so busy writing plays and instead had been more interested in the building of his theaters, "To be or not to be, that is a question, but to drawbore or not to drawbore, there is no question!" —PAUL OATMAN

The Close Spacing of Trusses

HEAVY timber trusses were commonly used in the roof systems of North American public buildings from the mid-17th century until about 1920 (Fig. 1). The most common forms were kingpost, queenpost and scissors, all with variations. The majority of these trusses are framed of large scantlings (a 50-ft. 12x14 for a bottom chord is not unusual) and spaced 8 to 16 ft. apart. Lateral stability between the trusses is provided by purlins and braces framed into the sides of the top chords (also called principal rafters in historic sources), which also carry the common rafters between or over the trusses, or by specifically designed girts and braces that join all or some of the posts within the attic space. The actual spacing of the trusses can often be identified from the exterior by the sagging of the roof plane that usually occurs between them, or by differential snow melt patterns (snow tends to stay longer right over the top chords themselves).

We associate close spacing with early English and Continental roof systems using complexly framed rafter couples 3 or 4 ft. apart (Fig. 2), or with modern light-framed trusses held together by glue and gusset plates (Fig. 3). Today's light trusses are true trusses, but they are too flimsy to stand much more than 2 ft. apart. The early rafter couples were similar in intention to trusses, in that their builders wished to produce a rigid frame that would not put outward pressure on the walls. But, in general, their engineering design (the arrangement of tension and compression members) and their joinery are such that, even if the sectional sizes of their members were greatly increased, the assemblies couldn't safely be spaced 12 ft. apart, and would depend upon redundancy or additional principal trusses for sufficient strength in the roof.

However, in recent years another group of trussed roofs has come to my attention in New England. In this group, substantial and traditionally joined timber trusses are spaced 3 to 5 ft. apart along an entire roof. The first examples were shown to me by Arron Sturgis in South Berwick, Maine, in two neighboring churches probably built by the same hand in the 1820s (Fig. 4). The roofs are framed with scissors trusses spanning 42 ft.: the scissor chords, all approximately 4½ x 9, are half-lapped to each other where they cross at a kingpost, and the rafters join the top of the kingpost with tenoned joints; original, hand-wrought iron strapping and bolts reinforce most joints. Unpinned tenons join the scissor chord ends and the undersides of the rafters.

I thought these trusses were archaic in inspiration or an idiosyncratic anomaly. Then, last year, I was called to examine the Strafford United Church (1830) in Strafford, Vermont, where I found kingpost trusses spaced 36 in. on center down the 50-ft. length of the roof. The trusses span 42 ft. and use 6x10 kingposts, 8x9 tie beams and 6x9 principal rafters. The following year, I examined Strafford United's sister, the South Strafford Universalist Society



Wayne Richardson

FIG. 3. SETTING LIGHT TRUSSES, NEWBURY, VT., 2002.

(1833), three miles down the road, where nearly identical trusses are roughly 39 in. on center down the 55-ft. length of the roof (Fig. 5). I was beginning to think I had been missing something.

I can physically visit only a certain number of truss roofs, and of course I can only visit surviving ones, so when investigating an aspect of framing I will often turn to documentary sources for help. I looked at a variety of 18th- and 19th-century builder's guides and found numerous truss designs and a little commentary on spacing, all of which coincided with my former expectations. William Bell's *Carpentry Made Easy* (1891) delineates many truss types and recommends (p. 82) they be spaced "10 to 14 ft. apart." Asher Benjamin, discussing church trusses in *The Practical House Carpenter* (1836), recommended (p. 80) that "the principal rafters should not be more than nine feet from center to center."

I struck gold in my collection of old lumber lists (credit the University of Vermont Special Collections). When John Johnson framed the courthouse in Burlington, Vt., in 1802, he laid two 64-ft. 12x11 long sills and five 40 ft. 12x11 cross sills, giving us the footprint of the building. For the roof system, he acquired 16 10-ft. 12x7 "King Posts in White Pine" and one 10-ft. 12x12 kingpost "in oak or yellow pine," along with proportionally sized tie beams, rafters and braces in the right numbers to make 17 trusses. The larger members probably formed a truss to help support the tower that is also specified in the list. Seventeen trusses produce 16 spaces and, if the gables are not trussed, there may be 18 spaces along 64 ft. of roof. Either way the trusses are on 3- or 4-ft. centers (Fig. 6).

In John Johnson's "Bill of Timber for the Meetinghouse," dated 1811 at Burlington, he specifies two 70-ft. sills and six 55-ft. sills,

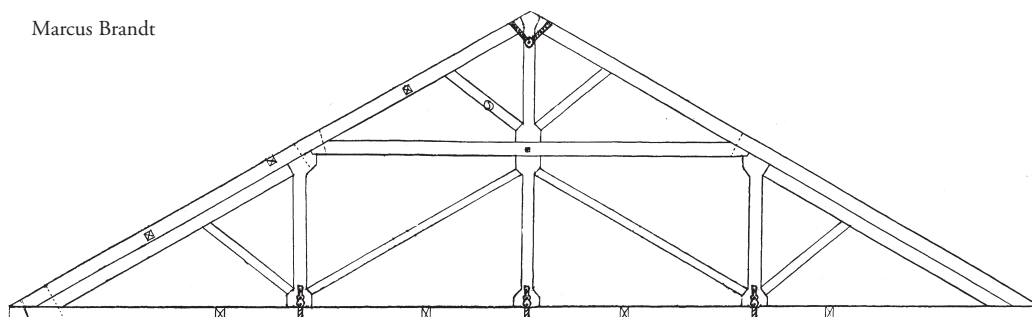


FIG. 1. PRINCIPAL TRUSS, CENTRAL MORAVIAN CHURCH, BETHLEHEM, PA., 1803, SPAN 60 FT.

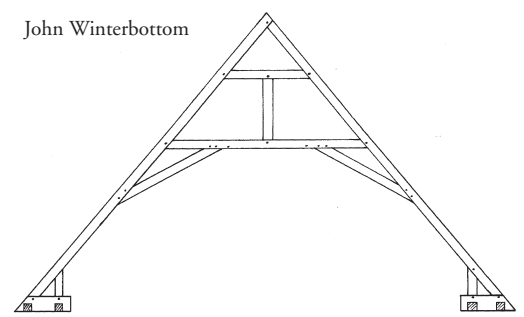


FIG. 2. INTERMEDIATE TRUSS, WINCHESTER CATHEDRAL, CA. 1310, SPAN 30 FT.



Ken Rower



Jan Lewandoski

FIGS. 4 AND 5. FIRST PARISH FEDERATED CHURCH, S. BERWICK, ME., 1825 (LEFT), AND S. STRAFFORD, VT., UNIVERSALIST SOCIETY, 1833.

giving us the footprint. Seventeen 57-ft. tie beams span the roof, including the “End & Tower Beams.” Thirteen 16-ft. 16x7 kingposts are specified, with 33-ft. rafters and four pairs of 25-ft. rafters that probably functioned as queenpost main braces in the area of the 16-ft.-square tower, four of them using the four tower posts as queenposts, and the other four probably bearing on tower girts to produce the roof plane. The tower itself rose off sleepers on the tie beams, a pair of 30-ft. 12x12s called “tower sills” by Johnson. This shift at the tower from kingpost trusses to queenposts, with the tower posts as queens, is common in the late 18th and 19th centuries, but not universal. Both the Strafford churches have queens at the tower, but they imply no relationship to Johnson.

An additional survey of historic trusses is found in J. Frederick Kelly’s *Early Connecticut Meetinghouses and Churches* (1948). The author and his assistants examined the structure and parish records of 87 pre-1830 churches and prepared a measured drawing of each accessible truss and some commentary on the roof systems. I read all of the entries and found spacing discussed only once: the 1820 contract for construction of the First Congregational Church of Derby specifies, “The roof to be framed of Ten principal Rafters” (p.97). This church is 50 ft. long with a tower, belfry and spire semi-engaged at the front. The trusses are scissors form, of hewn oak, and these probably don’t support the tower, so the length is likely divided into 10 or more bays, 5 ft. wide or less. The truss sections are various depths of 7-in. timber, scanty for wide spacing.

Counter-evidence of close spacing is shown throughout Kelly’s book. Trusses in most meetinghouses are drawn with connecting purlin sections in the area of 8x9, suggesting substantial spans between the trusses.

WHAT are the advantages and disadvantages of close spacing? When you first enter a church attic where 17 heavy timber trusses are ranked 3 ft. apart, you are impressed and mystified. It’s a powerful roof system where a problem in any one truss will have little effect on the whole. But why expend so much timber and skilled labor in construction, and such effort to assemble so much framing in so little space? Part of the answer is that large timber was available and cheap in New

England before 1850, and perhaps skilled artisans as well. On the other hand, since these trusses make up a small minority of roof systems, most framers probably agreed that it was easier to put up four or five trusses and connect them somehow.

The advantages of close spacing are numerous. The trusses duplicate each other (with the exception of those at the tower), and they can be built reasonably quickly. The immense quantity of wood involved is balanced by the absence of purlins, purlin braces, common rafters or any lateral bracing system running longitudinally in the attic, a significant savings in timber. The same 1-in. boarding found on any roof can board this one. While each truss requires long timber, it is of somewhat smaller cross-section (for which trees would likely be in greater supply) than the timber used in widely spaced trusses.

An additional advantage in this overall-stronger roof system is its ability to handle the endemic problem of depression of the first interior truss by steeple loading. In South Strafford, the kingpost trusses march from rear to front on 39-in. spacing until reaching the rear of the steeple, where the two tower posts are used as queenposts to form a truss. Two more kingpost trusses sit within the tower, respectively 42 in. and 86 in. forward of the rear queen, until the front posts of the tower seat themselves on the fully framed wall of the portico. There is evidence that the builders at South Strafford were aware of problems at rear steeple trusses. There are original square-section 1-in. wrought iron dogs assisting the joinery at the feet of the principal rafters where they mortise into the bottom chord, and at the shoulder where the principal rafters join the queenposts. In spite of all these precautions, there is a transverse crack in the plaster over the choir loft where that rear truss sags a little more than its neighbors.

In the 1811 Burlington meetinghouse mentioned earlier, the tower, incorporated into queenpost trusses, also sits on 30-ft. 12x12 “tower sills” lodged perpendicular to the trusses. This is a common arrangement but has small virtue when the trusses are far apart; the sill, or sleeper, over the 10- or 14-ft. span between trusses, just bends and loads the closest one. With close truss spacing and sleepers, however, the tower sills are supported by eight or 10 trusses with no room for bending in between. —JAN LEWANDOSKI

Foard

P A N E L

The Timber Framer's Panel Company

www.FoardPanel.com

P.O. Box 185, West Chesterfield, NH 03466
603-256-8800, info@foardpanel.com

"APPRECIATE" YOUR INVESTMENT

ENCLOSE your timber frame with America's premier structural insulating panels. Our polyurethane panels' in-molded wire chases, cam-locking system and T&G joints allow for the quickest of installations. Available in R-values of R-28, R-35 or R-43. Murus EPS panels are offered in R-16, R-23, R30, R-38 or R-45.

Polyurethane or EPS, consider Murus for all your SIP needs!



murus

STRUCTURAL INSULATING PANELS

PO Box 220
Mansfield, PA 16933
570-549-2100
Fax 570-549-2101
www.murus.com
murus@epix.net

TIMBERS

- Cypress •
- Southern Yellow Pine •
- Oak •

Paul Whitehurst
Tarboro, North Carolina

phone 252-641-0591 fax 252-752-1494

Hundegger USA



Ask us about the updated
K2 Joinery Machine
and the new
PBA Panel Machine

Call or e-mail us for a free video

(435) 654-3028 OR (801) 361-4030

INFO@HUNDEGGERUSA.COM - WWW.HUNDEGGERUSA.COM



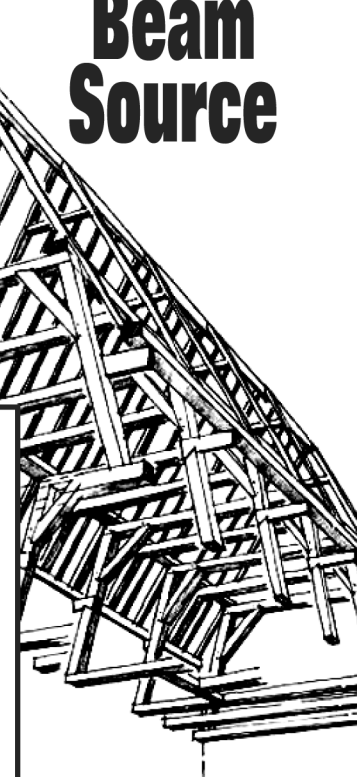
Your Post & Beam Source

Pine • Oak
Hemlock

Post & beam timbers and
lumber in over 12 patterns

Grade stamping and
dressed timbers available

PLUS our building
supply store can supply
you with everything else
you need!



W. D. COWLS, INC.

134 Montague Road, P.O. Box 9677
North Amherst, MA 01059
413-549-1403 • Fax 413-549-0000

info@cowls.com • www.cowls.com

**performs
in every
season**



- Urethane or EPS cores
- 4 x 8 to 8 x 24
- Full CAD/CAM pre-cut services
- Panels for timber frames and hybrids
- Delivery anywhere in North America
- A crane truck for ease of unloading if your site is within 300 miles of our plant

 **winterpanel**

74 Glen Orne Drive, Brattleboro, VT 05301
802-254-3435 Fax: 802-254-4999

winterpanel.com

Foam Laminates of Vermont

*Supplying quality stressskin panels for
Timber Frame structures since 1982*

- Superior Quality
- Built to your Specifications
- Curtainwall and Structural
- Professional Installation Available
- Friendly, Knowledgeable Service
- Specializing in Timber Frame Enclosures

PO Box 102 Hinesburg, VT 05461
802-453-4438 Phone 802-453-2339 Fax
E-mail foamlam@sover.net
www.foamlaminates.com

LANDARK
WOOD FINISH

All natural, citrus base, penetrating finish
timbers • logs • v-groove • cabinets • doors • floors

Advantages:

No chemical additives,
driers, or petroleum products
User friendly, biodegradable,
non-ozone depleting
Reduces further checking,
even in green oak
Renewable resources
used for all ingredients

Available in:

Liquid finish
(wicks deeply into checks)
Soft wax
(nonstaining end-grain sealer)
Aniline dye wiping stain
(one step, soft wax base)
Exterior finish
(weathers to silver-gray)

Mike and Nita Baugh
213 Townes Rd, Augusta, SC 29860

803-279-4116
fax 803-278-6996

Subscribe Now!

through the pages of *Timber Frame Homes*,
the premier magazine showcasing these
classic, yet contemporary homes.



Yes! Send me a one-year subscription to **Timber Frame Homes** –
4 issues plus a bonus summer issue for just **\$14.97!**

525

- Check enclosed payable to **Home Buyer Publications, Inc.**
(mail to *Timber Frame Homes*, 80 S. Early St., Alexandria, VA 22304)
- Please bill me Call 800-294-7006 or visit www.timberframehomes.com

Name _____

Address _____

City _____

State/Zip _____

Offer valid in U.S. only. Canadian subscriptions, \$19.97 (Prepaid U.S. funds). Foreign subscriptions, \$26.97 (Prepaid U.S. funds).

INSULSPAN™

No. 1 Brand Leader in Structural Insulated Panels

Your complete building system solution,
preferred by timber framers everywhere.



Sold and serviced nationwide, Insulspan leads the
industry in the development, manufacturing and
performance of structural insulated panels.

1.800.PANEL.10

INSULSPAN™

STRUCTURAL INSULATED PANEL SYSTEM

www.insulspan.com



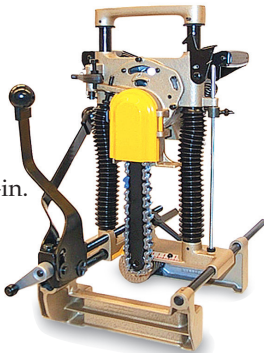
QUALITY TOOLS FOR

TIMBERFRAMERS



Makita® Chain Mortiser

Save countless hours cutting mortises by using Makita's chain mortiser. This machine cuts extremely fast, accurately, and can pivot to three cutting positions without resetting. Chain mortiser comes complete with $2\frac{3}{32}$ -in. chain, sharpening holder assembly, wrench, and chain oil. An unbelievable machine!



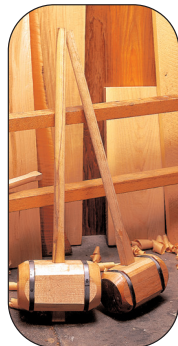
Makita® 16 $\frac{5}{16}$ -in. Circular Saw

Standard Equipment 32-tooth Carbide Blade! 16 $\frac{5}{16}$ -in. blade cuts 6 $\frac{3}{16}$ at 90° and 4 $\frac{3}{4}$ at 45°. HD 2,200-rpm motor with electric brake gives you plenty of power to cut the big stuff. Has precision gearing with ball and needle bearings for smooth and efficient power transmission. Includes combination blade, rip fence, and two wrenches. Top quality product!

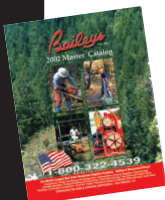


The Commander

For over two centuries the maker's family has provided timber framer's and carpenter's mallets for persuading immovable objects. We've all heard "...get a bigger hammer" and this is what it means. Head is made from extremely dense hardwood and the handle is made out of Japanese White Oak, noted for its strength and longevity. Head is metal banded to reduce splitting. Head measures 5 x 5 x 9 $\frac{3}{4}$ and weighs approx. 120 oz. Handle measures 36 in. Seen at log and timberframe construction sites all over.



Free Catalog



Call for a FREE 116 page full color 2002 Master Catalog mention source code QX4Z

Bailey's Est. 1975

The World's Largest Mail Order Woodsman Supplies Company-Selling at Discounted Prices

www.baileys-online.com

1-800-322-4539

www.timberwolftools.com

1-800-869-4169



TIMBERWOLF TOOLS
BIG TIMBER POWER TOOLS



German Engineered Quality

- 8-1/16, 9-5/8 & 13-3/4 In. Planers
- 13-3/16, 14-15/16 & 16-1/2 In. Circular Saws
- 11-1/2 In. Portable Band Saws
- Drill Guides, Beam Saws, Slot Cutters and More...

Exclusive Distributor

PROTOOL®
Power Tools For Professionals

Masters of our craft

mafell

The widest range of specialized machines for timber framing

Quality made in Germany

- Very handy chain mortising machine – stationary support available as optional accessory.

LS 103

Chain mortiser



Please call us!
We can provide leaflets with detailed information and all technical data.

MAFELL North America Inc.
1975 Wehrle Drive, Suite 120 · Williamsville, N.Y. 14221
Phone: (716) 626-9303 · FAX (716) 626-9304
e-mail: mafell@msn.com · Internet: www.mafell.com

GRUPPE DREI

CUSTOM TIMBER PACKAGES

Forest Salvaged Standing Dead
Douglas-Fir & Larch

Eastern White Pine

Reclaimed/Salvaged Industrial

(Available through our sister company Resource Solutions.)

Whatever type or species you choose
you will always receive the following from us...

Short Lead Times High Quality Timbers
Quick Quote Turn Around Personal Service

CLARK'S FORK TIMBER

New York Office - 1541 Wakerobin Ct., Walworth, NY 14568
Phone 315-986-8119 Fax 315-986-2622

South Carolina Office - 798 Stewart Gin Rd., Liberty, SC 29657
Phone 864-898-1655 Fax 864-898-1675

www.RSolutions.org



Kiln-Dried Timber!

SunDried™ Resolves The Green Dilemma

SunDried™ can dry most hardwoods and softwoods, including Northern Red Oak, Douglas Fir and Eastern White Pine.

SunDried™ Wood Technologies has refined a unique radio frequency/vacuum technology that uniformly kiln-dries whole timbers, bringing the percentage of the wood's moisture content down to single digits. SunDried™ timber is as dry at its heart as it is on the surface.

With SunDried™ Timbers you get:

- Dimensional Stability
- Optimal Structural Integrity
- No Additional Checking
- Peace of Mind

(304) 965-7700
sundriedwood.com

Fax (304) 965-7795
P.O. Box 130
Elkview, WV 25071



OUR QUALITY

*... limited only by
your imagination!*

EVERGREEN SPECIALTIES LTD.

FOR SALE

DRY LARCH the conifer that thinks it's a hardwood
NATURE'S RECYCLED TIMBER
SELECTIVELY LOGGED STANDING DRY TREES
DIRECT FROM THE FOREST TO YOU
DRY BANDSAWN JOISTS, POSTS & BEAMS

Harder and Stronger than Doug fir *Contact Bruce Lindsay*
Dense grain: up to 20 rings/in. *Toll free 877-988-8574*
Used for timber construction *FAX 604-988-8576*
PHOTOS via e-mail on request *Timber Supplier since 1989*

When compromise is not an option, call us.



Dreaming Creek

Timber Frame Homes, Inc.
Powhatan, VA 23139 804-598-4328
Fax 804-598-3748
www.dreamingcreek.com
sales@dreamingcreek.com

QUALITY TIMBERS

OAK AND SOUTHERN YELLOW PINE
LENGTHS UP TO 45 FT.
FAST DELIVERY ON STOCK SIZES



Port Orford cedar, Curry County, Oregon

*Trees selectively harvested.
Timbers sawn to your specifications.*

EAST FORK LUMBER CO., INC.
P.O. Box 275 • Myrtle Point, Oregon 97458
Tel. 541-572-5732 • Fax 541-572-2727 • eflc@uci.net

World's finest timber, expertly sawn for appearance.

Douglas Fir Red Cedar
Sitka Spruce Yellow Cedar

Any size. Any grade. Any specification.
Kiln Drying, S4S. Delivered prices.

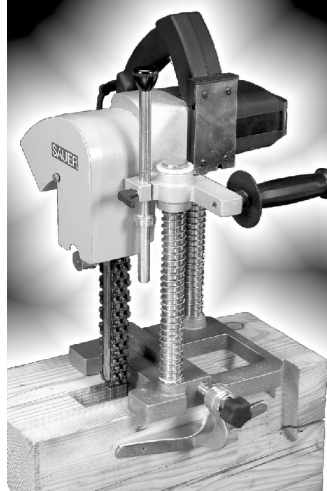
**Pacific
Timber
Supply Ltd.**



2999 Beach Drive, Victoria, BC
Canada V8R 6L1
Tel: (250) 380-9688
Fax: (250) 380-6388
Email: info@PacificTimber.com

A Precise Production Tool at a Competitive Cost

A 100 Year Tradition Continues. Quality-Made in Germany



- Chain Mortisers
- Carpenter's Chainsaws
- Slotting Mortisers

SAUER - 6" Chain Mortiser
1 1/2" or 2" Chain & Bar
Support Frame Included

Call now! (416) 675-2366
TimberTools.com

Hull Forest Products, Inc.

Sustainable forestry, quality products

- Kiln-dried flooring:
red oak, white oak, and hickory
- Eastern white pine paneling and flooring
12-20 in. wide
- Post and beam timbers up to 26 ft. long



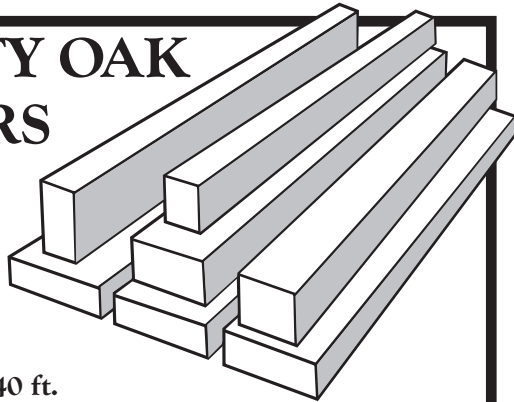
Proud manufacturers of
NHLA quality lumber

101 Hampton Rd. • Pomfret Center, CT 06259

tel 800-353-3331 • fax 860-974-2963 • www.hullforest.com

Contact Craig H. Capwell, capwell@hullforest.com

QUALITY OAK TIMBERS



- Accurate,
custom
4-sided
planing
up to 9 x 15 x 40 ft.

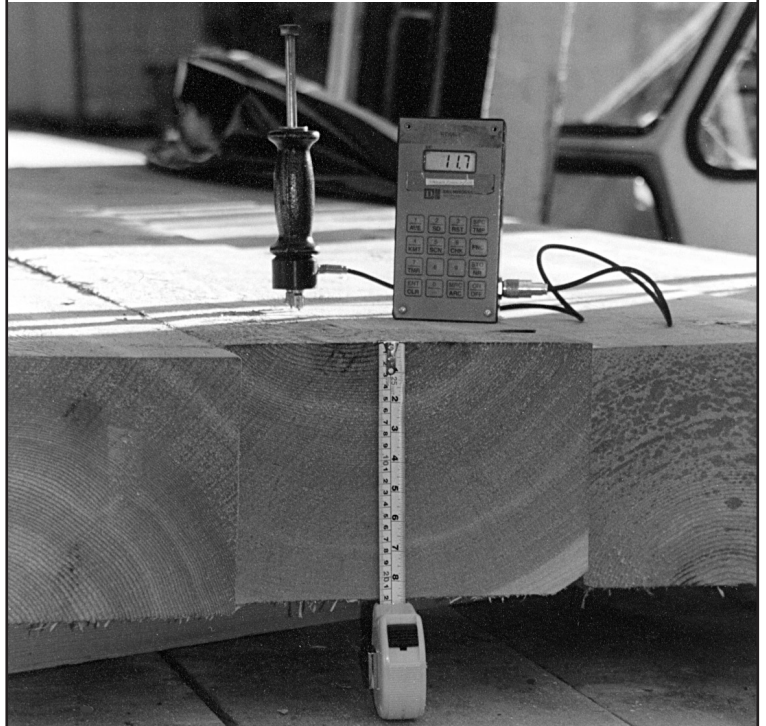
- Also 2x6 and 1x6 T&G
White Pine in stock

Call for
timber price list,
419-281-3553

Hochstetler Milling, Ltd.
552 St. Rt. 95
Loudonville, OH 44842

FRASERWOOD INDUSTRIES

KILN DRIED TIMBERS



**“Your timbers offer the
reality of which we have
dreamed for many years.”**

Ben Brungraber, PhD, PE, Operations Director,
Benson Woodworking Co.

Fraserwood Industries' radio
frequency/vacuum kiln with its unique
restraining system can dry timber of all
dimensions and up to 40 ft. long
to 12% MC with minimal degrade.

FRASERWOOD INDUSTRIES

Please call Peter Dickson at (604) 892-7562.
For more information, visit our web page at
www.fraserwoodindustries.com.

© JK Lawrence Photography, courtesy Big Timberworks



- A leading company in the structural design of
timberframe & log structures
- Services range from Design Review to
Full Construction Document Packages
- Licensed in 46 states & Canada
- Supporter, TFG & ILBA



STRUCTURAL

BEAUDETTE
CONSULTING
ENGINEERS, INC.

131 WEST MAIN

MISSOULA, MT 59802

TEL: (406) 721-7315

FAX: (406) 542-8955

www.bceweb.com

PUBLISHED BY
THE TIMBER FRAMERS GUILD
PO BOX 60, BECKET, MA 01223

NON-PROFIT ORG.
U.S. POSTAGE
PAID
EAST BARRE, VT
PERMIT NO. 2



Joel McCarty (above, below center)



Rudy Christian (above, below, below left)



At top, looking toward the Neckar in the old city of Rottweil (Baden-Württemberg), where deputations of Guild members visited and studied at a German technical school in January and February. Above, integrated frame, infill and doorway of the building at top right. At right, arms of the carpenters' guild depicted in a church window.



At top, newly built timber-framed spruce structure in regional farmhouse style, to be used as residential and commercial space. Notice platform framing and frequent story posts infilled with planking, tin shingles on the roof, foam insulation (not yet stuccoed) on the exposed foundation wall. Above, interior of hip.