

EIMCO COAL MACHINERY INC.

A TAMROCK COAL COMPANY

ELECTRICAL SYSTEM PERMISSIBILITY CHECKLIST EIMCO MODEL NO. 935-2NL with MWM

APPROVAL NUMBER(s) . . . 31-110-0, -1, -2

Listed below are the items and functions that must be maintained for the electrical system to be considered permissible. For a complete equipment permissibility evaluation, this checklist must be used in conjunction with a machine checklist and a power system checklist.

ALL INSPECTIONS AND TESTS SHALL BE PERFORMED IN FRESH AIR.

(WEEKLY) WHERE SHOWN ON THE FOLLOWING PAGES DESIGNATES THOSE INSPECTION CHECKS THAT MUST BE PERFORMED DURING THE WEEKLY MAINTENANCE EXAMINATION IN ACCORDANCE WITH 30 CFR, SECTION 75.1914.

A. ALL electrical enclosures must meet the following:

- (WEEKLY) 1. () All electrical enclosures are intact (not cracked or broken); the headLight Lenses are not Loose.
- (WEEKLY) 2. () ALL electrical enclosures have an MSHA plate attached that is clearly stamped with an MSHA certification number (X/P number). These numbers agree with those Listed in Table 1.
- (WEEKLY) 3. () Use Feeler gauges of the appropriate size to insure the clearances between the enclosures Listed in Table 1 and their corresponding covers are not exceeded.
- 4. () All joints forming the Flame arresting paths (Flanges and covers) are smooth and free From rust, corrosion, and pitting.

TABLE 1

<u>Enclosure</u>	<u>Item No on Machine Layout Diagram</u>	<u>X/P Number</u>	<u>Maximum Allowable Clearance in Inches</u>
Headlights	3	1468-31 or Alt.	N/A
		1468-30 or Alt.	N/A
		3221-0 or Alt.	.002
		3470-0	N/A
		3493-0	.002
Headlight Switch	2	3938-1	N/A
		1467-13 or Alt.	.003
		2166-0 or Alt.	.003
		3846-0	.003
Alternator	1	1622-4 or Alt.	.006
		1622-5 or Alt.	.006
		3333-0 or Alt.	.006
		3849-0 or Alt.	.006

THIS DRAWING MUST NOT BE CHANGED WITHOUT PERMISSION OF MSHA

Revision 3 10/9/97

DWG. No. 6220020
Sheet 1 of 9

B. Cables connecting electrical components must continue to be:

- (WEEKLY) 1. () Clamped in place to prevent undue movement.
- (WEEKLY) 2. () Protected from mechanical damage by position, flame resistant hose conduit, metal tubing, or troughs.
NOTE: Flexible or threaded rigid metal conduit is not acceptable.
- (WEEKLY) 3. () Not subject to abrasion from sharp corners or edges.
- (WEEKLY) 4. () Isolated From hydraulic lines and components.
- (WEEKLY) 5. () Isolated from fuel lines.
- (WEEKLY) 6. () Flame resistant if not enclosed in hose conduit. This is indicated by "MSHA" markings on the cable.

C. Hose conduit is:

- (WEEKLY) 1. () Securely clamped at both ends and MSHA markings are present and appear as "Flame-Resistant, US MSHA, US MESA, or USBM 26- ()."

D. Fasteners and mounts :

- (WEEKLY) 1. () All electrical system components are securely mounted.
- (WEEKLY) 2. () Headlights are guarded by typical guard as shown in Figure 1, or protected by position.

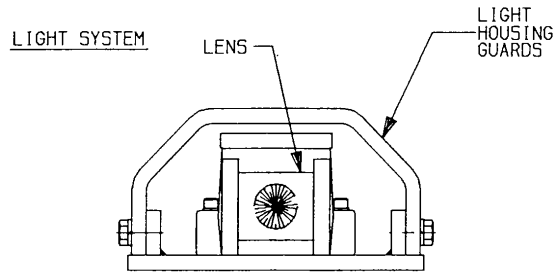


FIGURE 1

THIS DRAWING MUST NOT BE CHANGED WITHOUT PERMISSION OF MSHA.

Revision 3 10/9/97

DWG. No. 6220020
Sheet 2 of 9

- (WEEKLY) 3. () All threaded covers are secured from loosening by a locking screw, wire, or other means.
- (WEEKLY) 4. () Lockwashers or equivalent devices are provided for all bolts, screws, or studs that secure ports of the explosion-proof enclosures.
- (WEEKLY) 5. () None of the fastenings used for joints on the explosion-proof enclosures are used for attaching non-essential ports or for making electrical connections.

E. Lead entrances (packing glands) :

- (WEEKLY) 1. () All lead entrances (packing glands) are assembled so that the cable jacket penetrates into the enclosure and when tightened, a 1/8" minimum clearance remains between the packing nut and stuffing box (Figure 2).

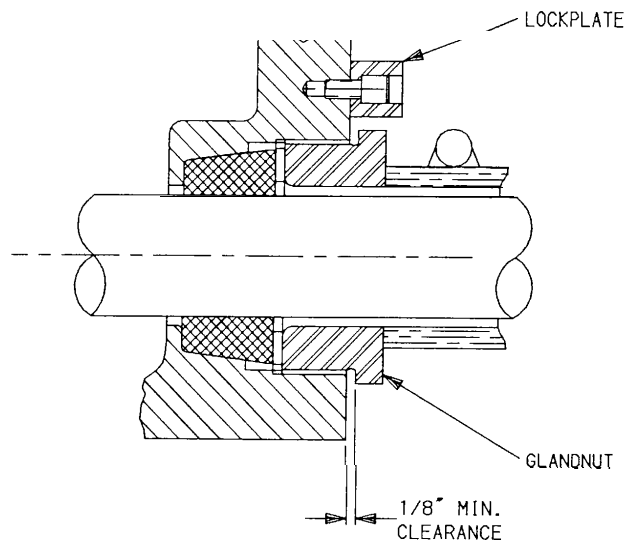


FIGURE 2

THIS DRAWING MUST NOT BE CHANGED WITHOUT PERMISSION OF MSHA.

Revision 3 10/9/97

DWG. No. 6220020
Sheet 3 of 9

Rev.

- (WEEKLY) 2. () All packing nuts and stuffing boxes are secured from loosening by a Locking screw, wire, or other means (Figure 2). All unused lead entrances are closed with metal plugs which are secured in place by spot welding, brazing, or equivalent (Figure 3).

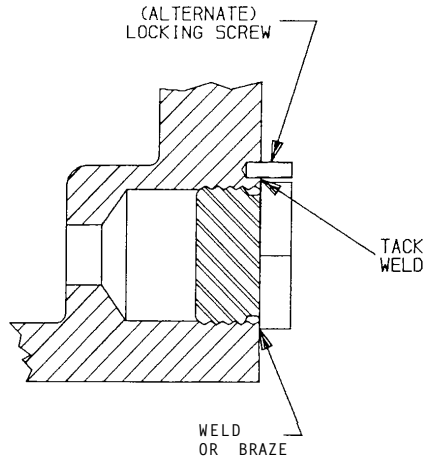


FIGURE 3

F. Headlights:

- (WEEKLY) 1. () Is/Are installed at each end of the machine.
- (WEEKLY) 2. () Lenses are not crooked, broken, or Loose.
- (WEEKLY) 3. () Each headlight is securely installed, guarded and operable.

G. Headlight Switch:

- (WEEKLY) 1. () The headlight switch must operate properly. Verify by starting the engine, operating the switch and ascertaining its operation - turns the Front and rear headlights on and OFF. The switch must not control or operate any electrical circuits other than the headlights.

THIS DRAWING MUST NOT BE CHANGED WITHOUT PERMISSION OF MSHA.

Revision 3 10/9/97

DWG. No. 6220020
Sheet 4 of 9

- (WEEKLY) 2. () Headlight switch is securely in place.
- (WEEKLY) 3. () Headlight glands are sealed and ASSEMBLED SO THAT THE CABLE JACKET PENETRATES INTO THE ENCLOSURE AND WHEN TIGHTENED, A 1/8 INCH MINIMUM CLEARANCE REMAINS BETWEEN PACKING NUT AND THE STUFFING BOX. (Figure 2)
- (WEEKLY) 4. () All unused Lead entrances are closed with metal plugs which are secured in place by spot welding, brazing, or equivalent (Figure 3).
- (WEEKLY) 5. () Headlight switch cover is properly installed with all bolts and Lockwashers in place and tight (Figure 4).

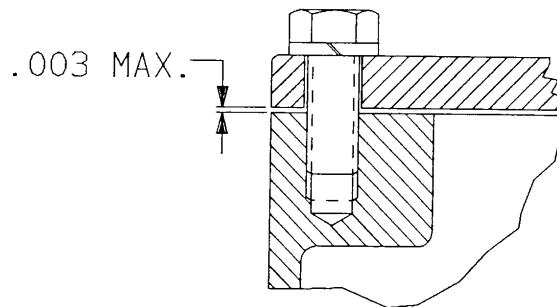


FIGURE 4

H. Alternator:

- (WEEKLY) 1. () "Alternator Housing" is securely in place.
- (WEEKLY) 2. () "Alternator Housing Glands" are sealed and ASSEMBLED SO THAT THE CABLE JACKET PENETRATES INTO THE ENCLOSURE AND WHEN TIGHTENED, A 1/8 INCH MINIMUM CLEARANCE REMAINS BETWEEN PACKING NUT AND THE STUFFING BOX. (Figure 2)
- (WEEKLY) 3. () "Alternator Covers" are properly installed with all bolts and Lockwashers in place and tight (Figure 5).

THIS DRAWING MUST NOT BE CHANGED WITHOUT PERMISSION OF MSHA.

Revision 3 10/9/97

Rev.

DWG. No. 6220020
Sheet 5 OF 9

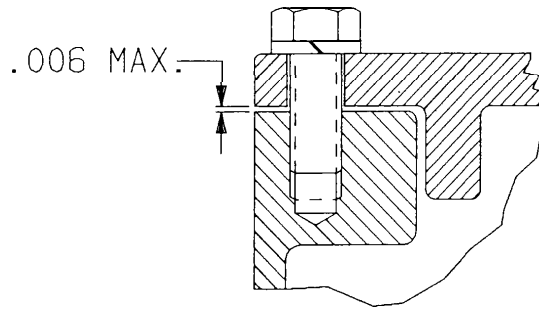


FIGURE 5

I. Other Electrical Permissibility Checks:

The following checks may be performed when an electrical enclosure has been disassembled for whatever reason, or if there is cause to believe a problem exists within the enclosure.

1. () Electrical connections inside the electrical enclosures are secure (not Loose) and are insulated where space is limited. In addition, each headlight unit is electrically -grounded- to the machine frame by a separate conductor in the headlight cable. The ground wires are not broken and are securely attached to each headlight. To verify the above, remove the electrical enclosure covers; disconnect the ground wire attached to each headlight; use an ohmmeter or similar device to verify continuity between the ground wire and the frame of the machine For each headlight.
2. () The engine-driven alternator Lighting system include a separate two-pole switch which controls the operation of the headlights. The switch is wired such that all power conductors in the cable(s) supplying electrical energy to the headlights are deenergized when the switch is placed in the "off" position.

THIS DRAWING MUST NOT BE CHANGED WITHOUT PERMISSION OF MSHA.

Revision 3 10/9/97

DWG. No. 6220020
Sheet 6 of 9

To verify the above, remove the cover from the electrical enclosure housing the headlight switch; remove the two main power wires (From the alternator) From the switch terminals; place the switch operator in the "off" position; use an ohmmeter or similar instrument to verify that the input power wire terminals to the switch are disconnected from all other wires attached to the switch terminals, reconnect the power wires to the switch terminals.

3. () Fuses are installed, in the wiring Located inside the alternator housing, and in the light switch enclosure for short circuit protection of each power conductor in the Lighting system.

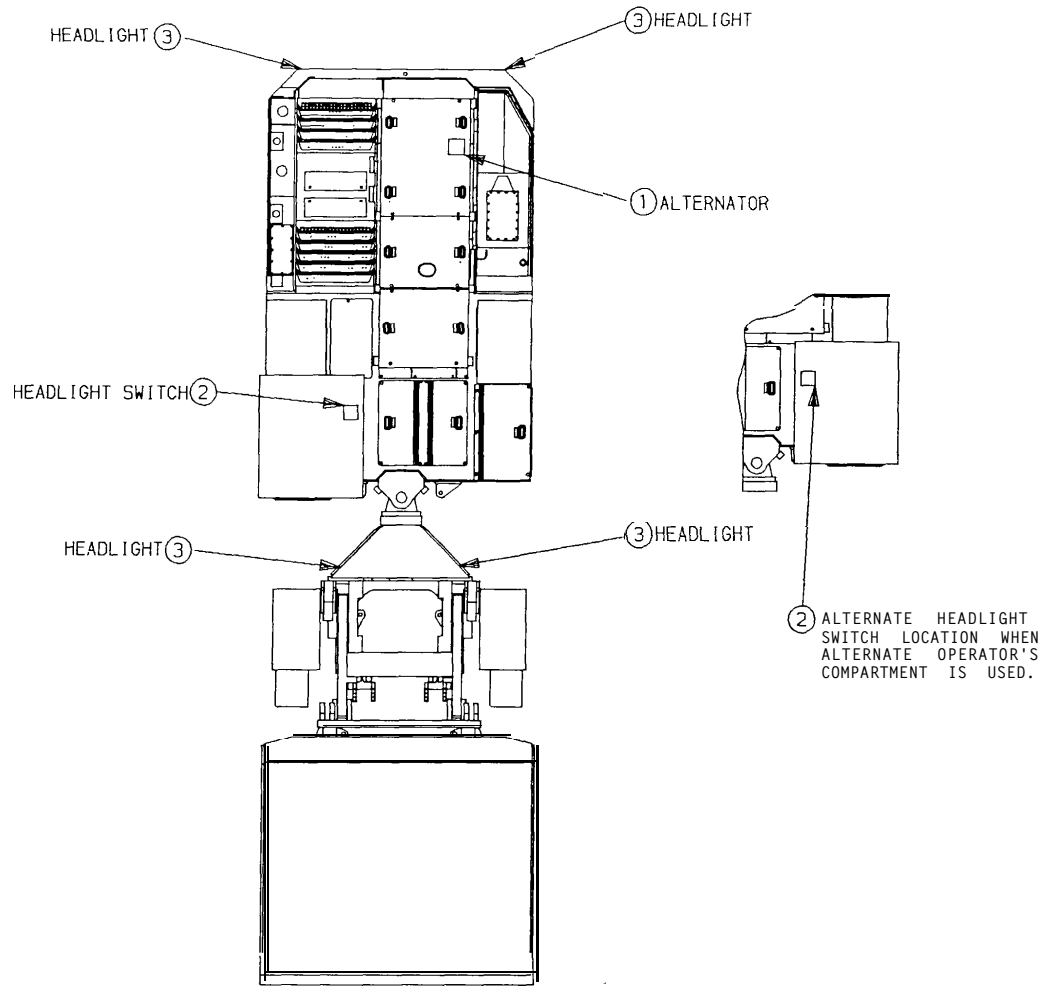
* Reference items on Machine Layout Diagram

THIS DRAWING MUST NOT BE CHANGED WITHOUT PERMISSION OF MSHA.

Revision 3 10/9/97

DWG. No. 6220020
Sheet 7 of 9

MACHINE LAYOUT DIAGRAM

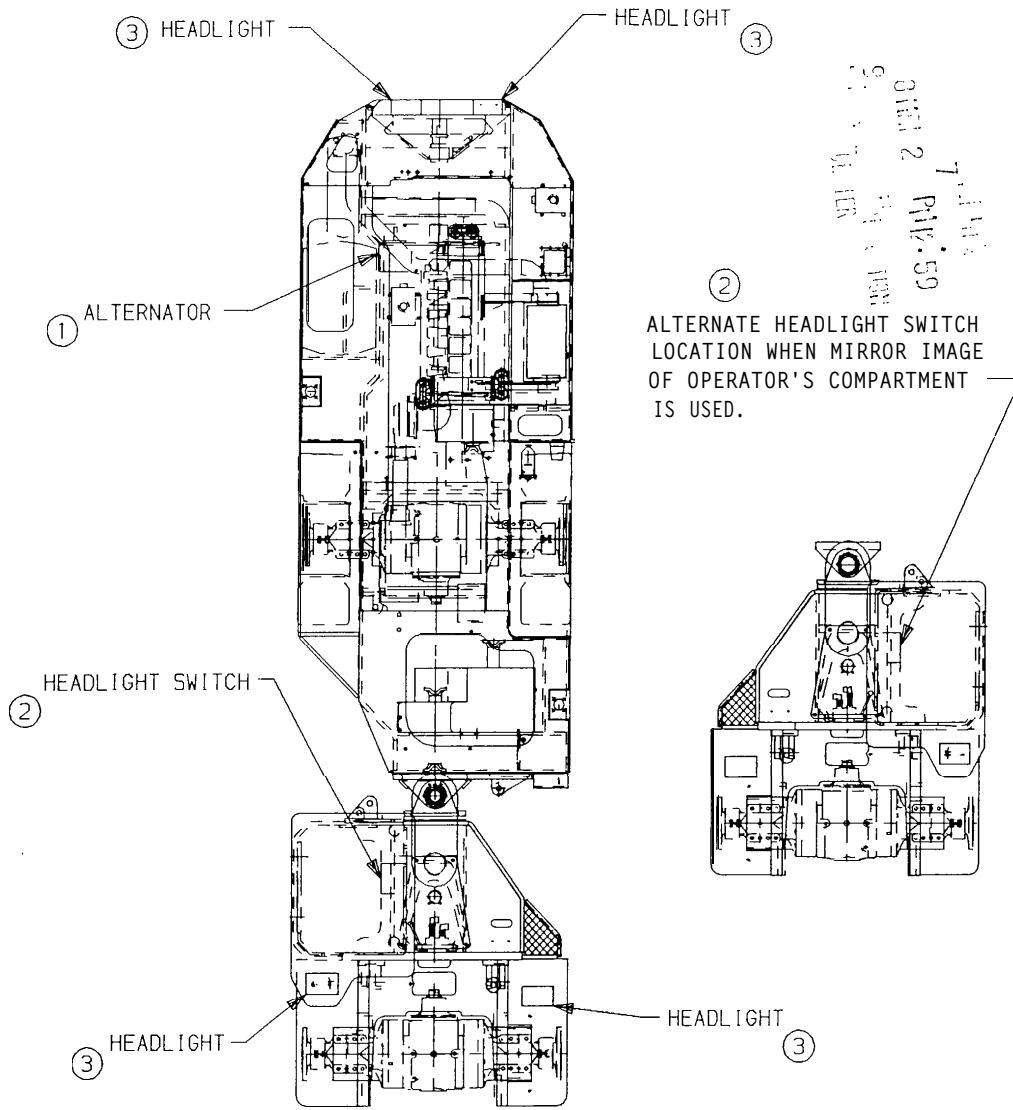


THIS DRAWING MUST NOT BE CHANGED WITHOUT PERMISSION OF MSHA.

Revision 3 10/9/97

DWG. No. 6220020
Sheet 8 of 9

MACHINE LAYOUT DIAGRAM



7-11-11
3:15:22 PM 11/11/59
M. L. HEN

(2) ALTERNATE HEADLIGHT SWITCH LOCATION WHEN MIRROR IMAGE OF OPERATOR'S COMPARTMENT IS USED.

THIS DRAWING MUST NOT BE CHANGED WITHOUT PERMISSION OF MSHA.

Revision 3 10/9/97

6220020
Sheet 9 of 9