

STATEMENT

I am _____, Superintendent of the No. 1 Mine. You are located at the fresh air base in the 6 West Mains Entries. The 6 West Mains consists of seven entries driven in virgin territory. The Nos. 1, 2 and 7 Entries are return entries, the Nos. 4, 5 and 6 Entries are intake entries, and the No. 3 Entry is a belt entry. Air movement in the belt entry is outby from the faces and is coursed into a return through a belt regulator.

A five-man crew entered the mine on the day shift and traveled to the 6 West Mains Section to begin production activities.

At the conclusion of the day shift, the crew failed to return to the surface. Attempts to communicate with the section were unsuccessful. Mine rescue teams traveled into 6 West Mains in an attempt to reach the crew. The mine rescue teams explored the Nos. 1, 2, 6, and 7 entries to the faces but were unable to explore the Nos. 3, 4, and 5 entries inby the fifth crosscut outby the faces. The rescue team set up a fresh air base at that point. A detailed map of the areas explored and the conditions encountered was prepared by the teams.

An exhaust fan on the surface ventilates the mine. The fan is not operating but can be started and stopped by notifying the Superintendent of your intentions. The fan cannot be reversed.

All electrical circuits inby the fresh air base have been de-energized, locked out and guarded.

The coal seam being mined is walking height and the roof is supported by roof bolts.

Mine rescue teams will serve as back up while you are working. You may request assistance from them through the Superintendent in any explored areas of 6 West Mains that are shown on the map provided. The back up team is limited to installing or removing ventilation controls, (Overcasts cannot be altered). Each request for assistance, regardless of the number of builds or removals, will take two minutes. The team will mark the changes on the map, initial the map, and present the map to the Superintendent who will notify them when the changes are completed. No additional work, including exploration, will be permitted during this two minute time period.

The solid line map is up-to-date.

Written instructions and the following mine maps will be provided when you are ready to work:

- 1. Two blank maps.**
- 2. Two maps indicating the ventilation prior to the incident.**
- 3. Two maps indicating the ventilation after the incident and the areas explored prior to your arrival.**

Problem

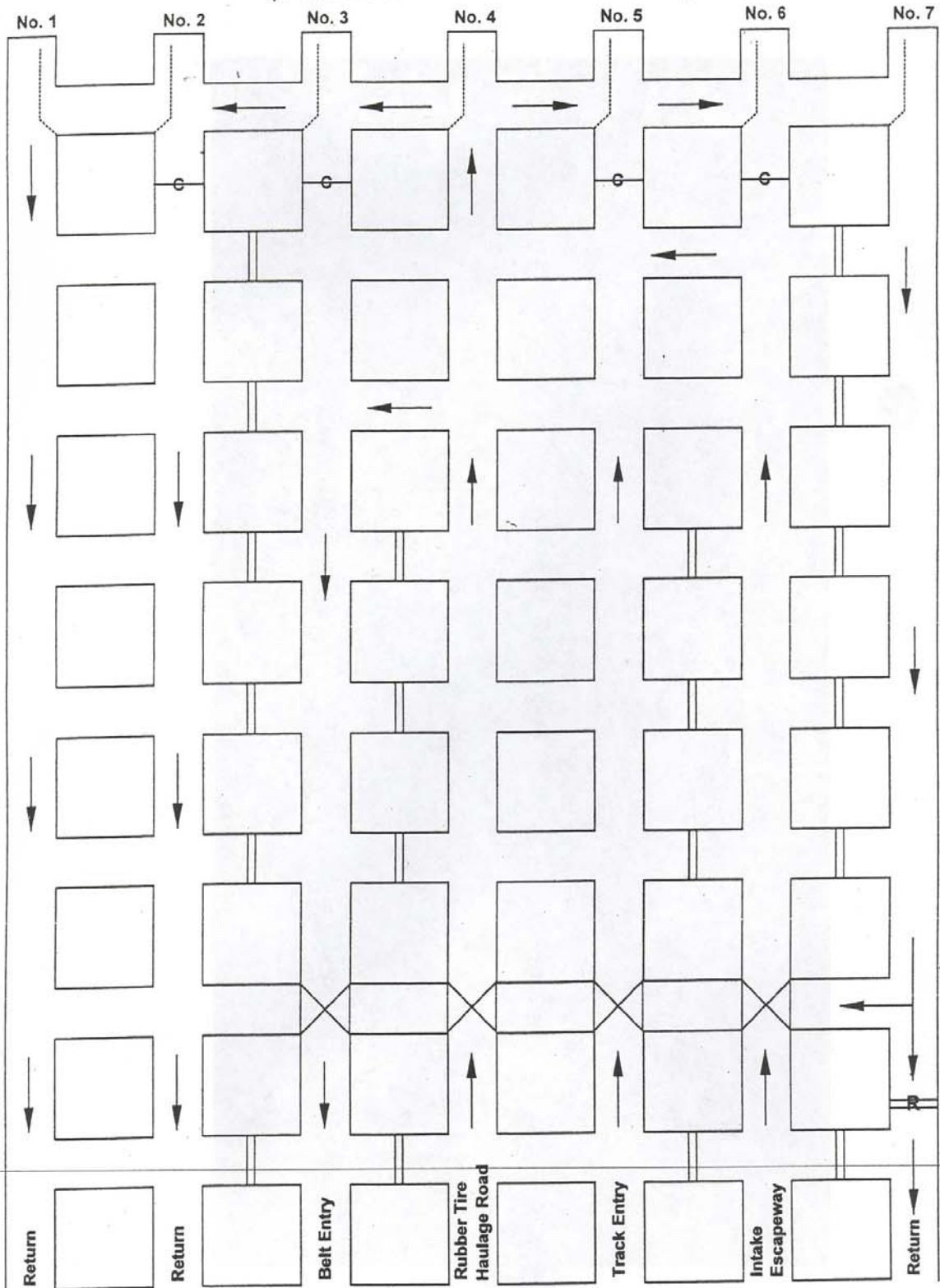
**ACCOUNT FOR ALL
MISSING PERSONS**

**EXPLORE ALL AREAS OF
THE MINE**

**THAT CAN BE SAFELY
EXAMINED**

6 West Mains

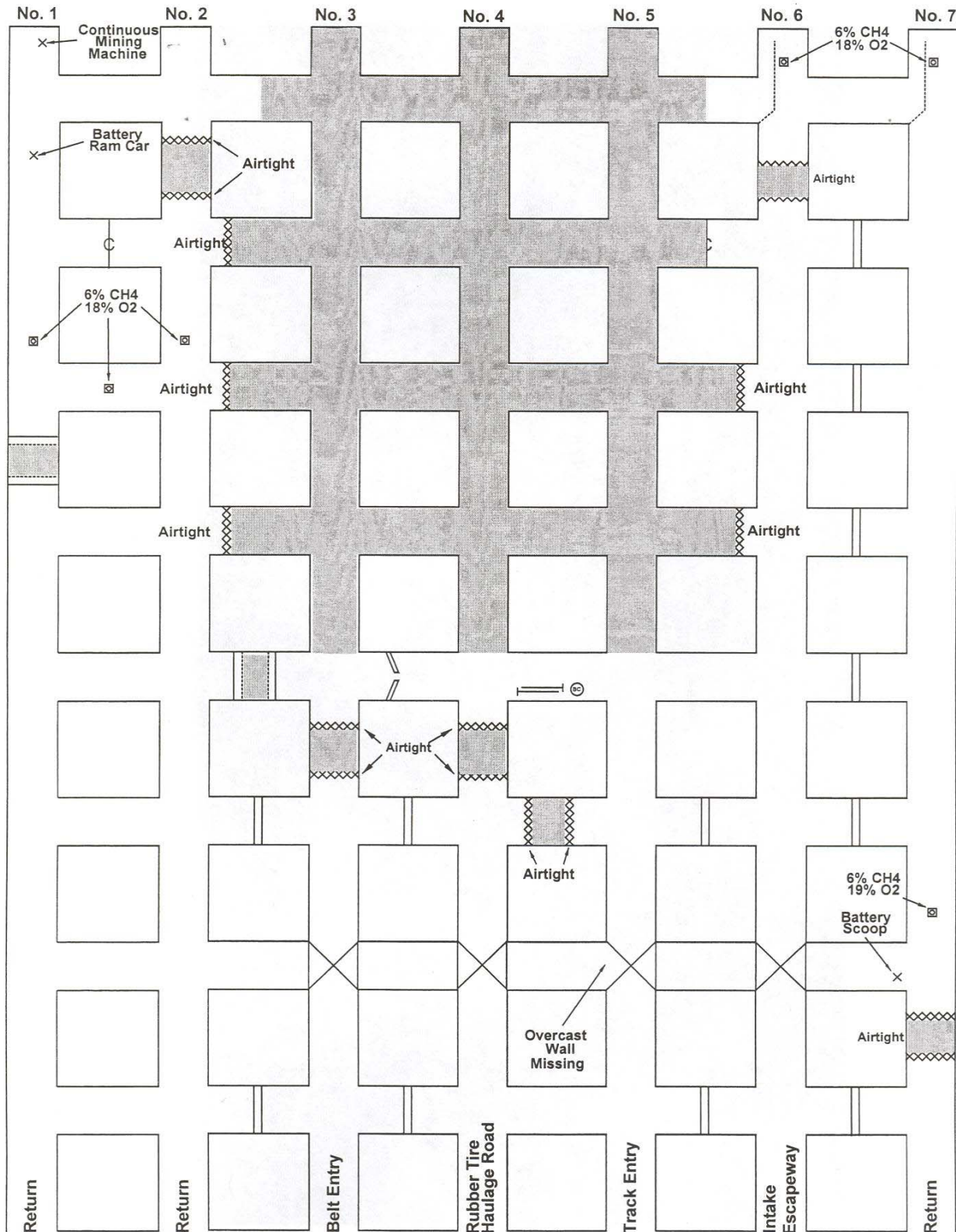
(Ventilation Prior To The Incident)



6 West Mains

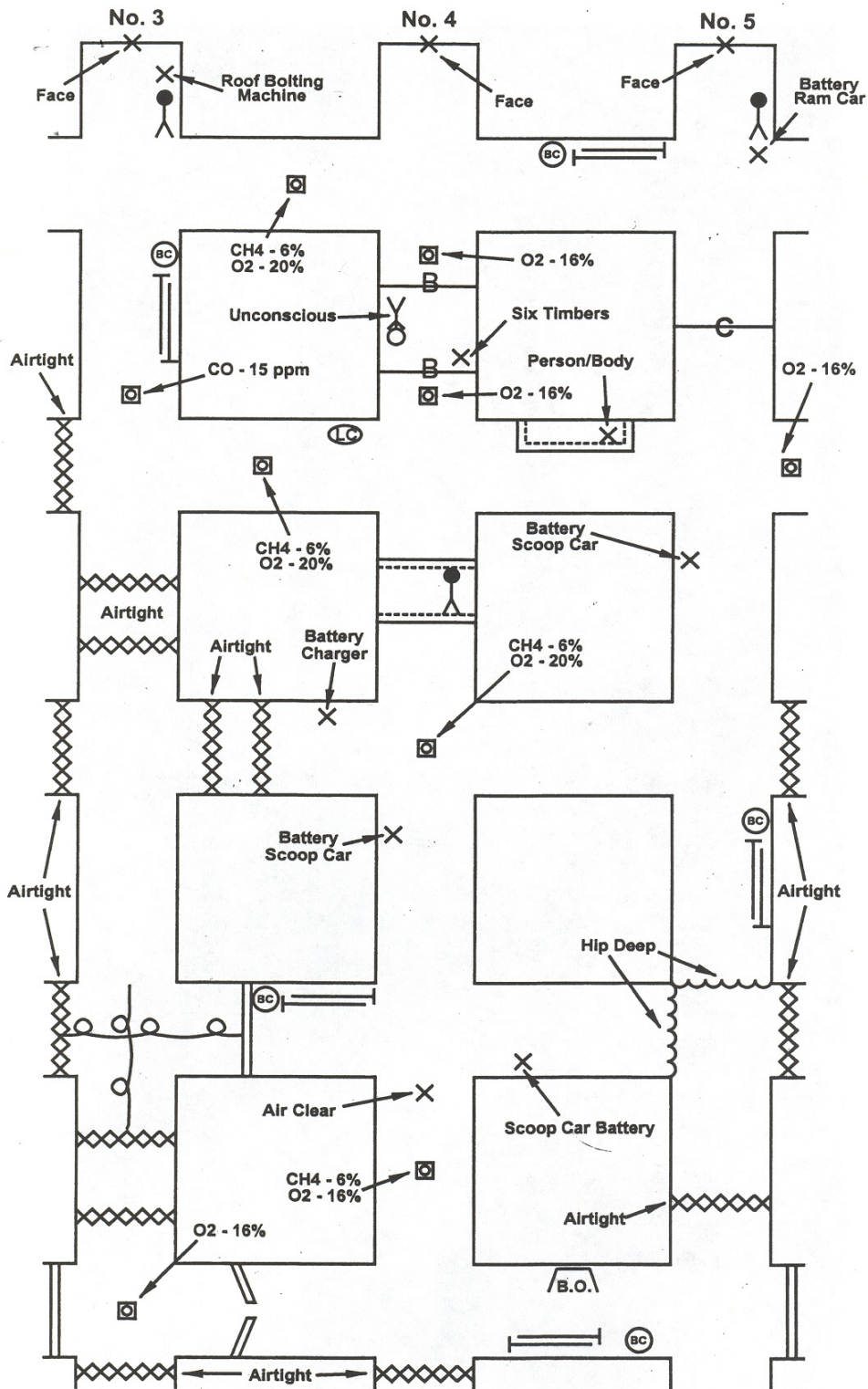
(Ventilation - No Air Movement)

Areas Explored And Mapped After The Incident (Shaded Area Unexplored)

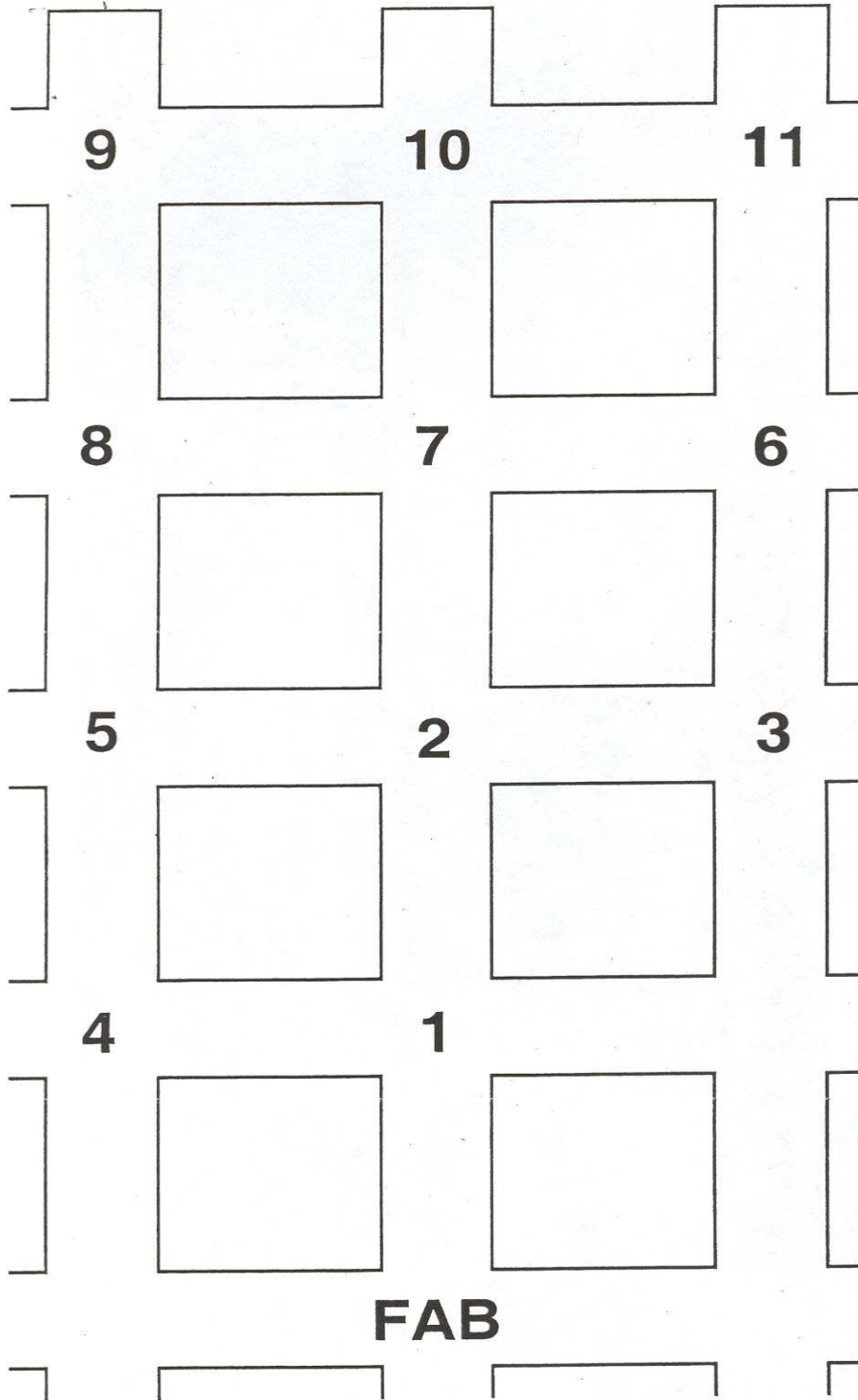


Ohio Valley Mine Rescue Contest

June 15, 2005



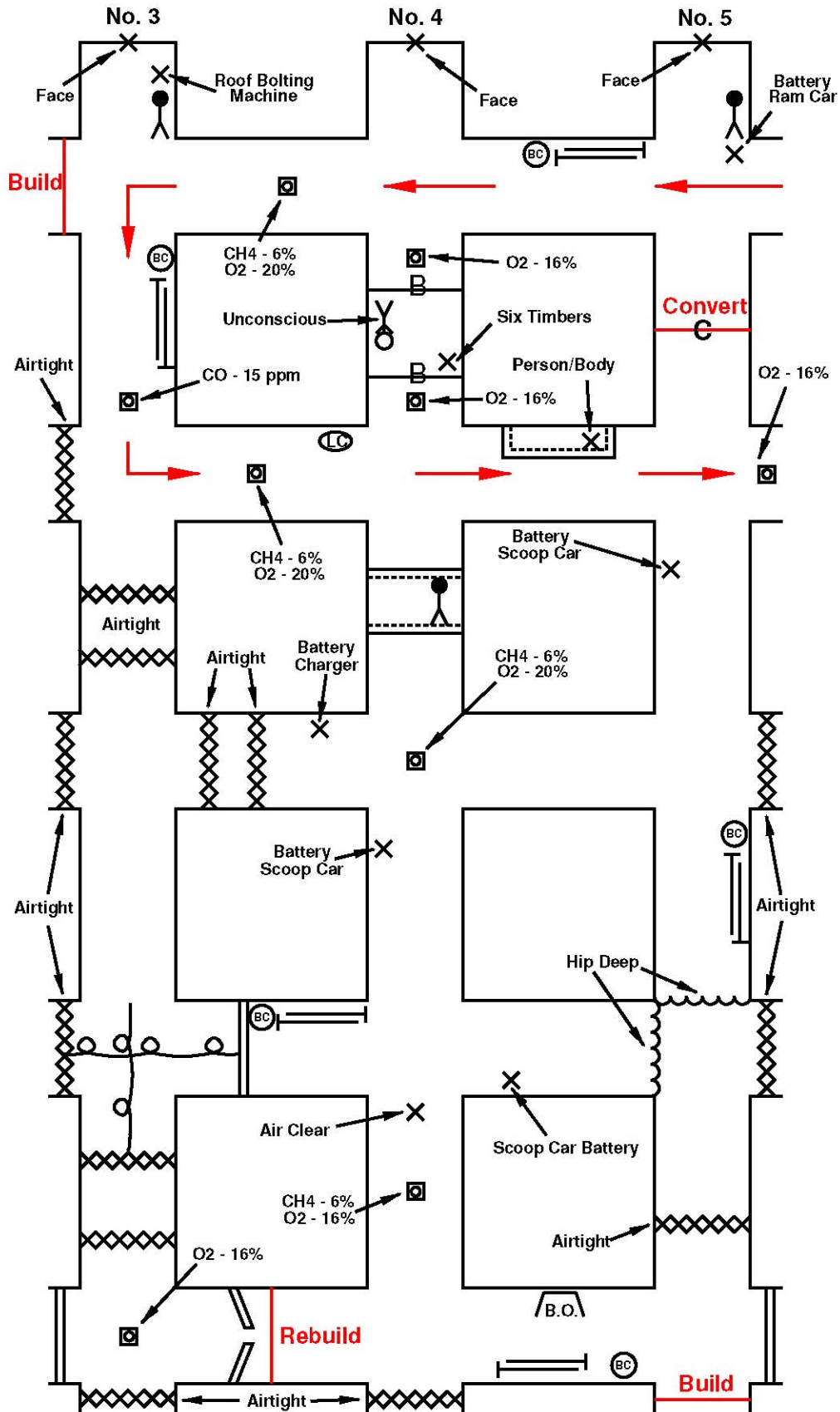
Team Stops



Ohio Valley Mine Rescue Contest

June 15, 2005

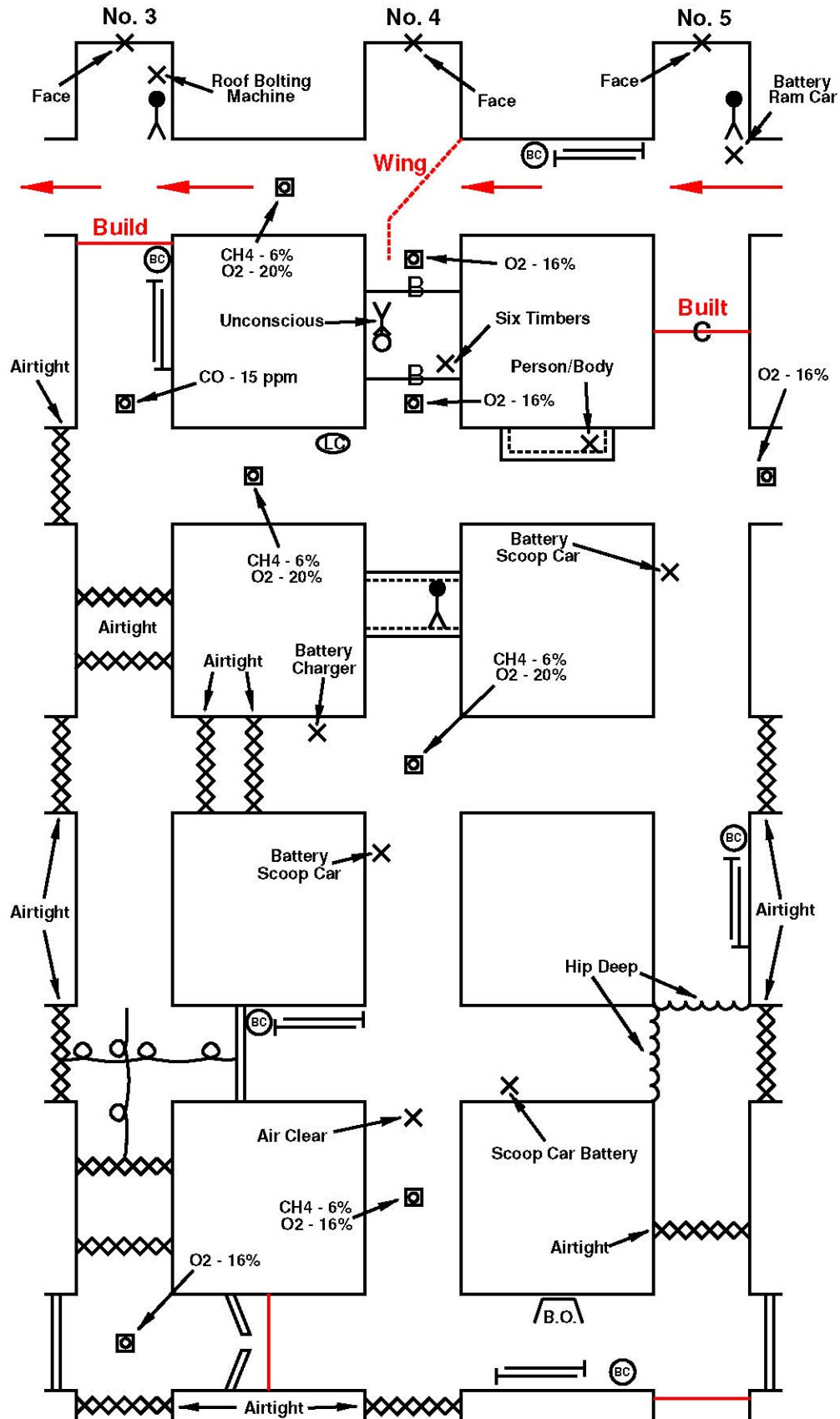
1st Ventilation



Ohio Valley Mine Rescue Contest

June 15, 2005

2nd Ventilation



6 West Mains 2nd Ventilation

Working Team █

Outby Team █

