



ATF
GUIDEBOOK
Importation
& Verification
of Firearms,
Ammunition &
Implements of War

including:

Importation Laws & Regulations

Definitions

Policies & Procedures

Forms & Drawings



The Purpose of the FEIB Guidebook

This publication was prepared by the **Firearms and Explosives Imports Branch (FEIB)**, **Bureau of Alcohol, Tobacco, Firearms and Explosives (ATF)** to assist **Importers and other Firearms Industry Members** in identifying **firearms, ammunition, and implements of war that may be imported into the United States** and to further clarify and facilitate the import process. The **FEIB Guidebook** was developed to provide guidance in the importation process through the proper recognition and correct use of required forms, regulatory policies, and prescribed import procedures. This authoritative guide presents a **comprehensive overview of the importation process** and provides both relevant and definitive explanations of procedural functions by outlining the existing imports controls including **the Arms Export Control Act (AECA), the National Firearms Act (NFA) and the Gun Control Act (GCA)**, all of which serve to govern the decisions rendered and support the actions taken by the **Firearms and Explosives Imports Branch** in the implementation of the importation process.

The **FEIB Guidebook** is presented in an **electronic format** to better facilitate distribution and actively support and promote a complete awareness and thorough understanding of the importation procedures. This elevated awareness and enhanced understanding will serve to further facilitate procedural compliance and effectively promote more expeditious processing procedures to complete the importation process.

If there are any additional questions or further information is needed, please contact the **Firearms and Explosives Imports Branch at (202) 927-8320**.



Bureau of Alcohol, Tobacco, Firearms and Explosives
ATF

click multi-page headings to expand TOC

GUIDEBOOK - Firearms & Explosives Imports Branch

INTRODUCTION

Purpose of FEIB Guidebook	i
Table of Contents	ii

POLICIES & PROCEDURES

Overview	1
Laws & Regulations	2-3
Import Requirements for Firearms & Ammunition	4
Factoring Criteria for Weapons - ATF 4590	5
Restricted Importation	6-7
Conditional Importation	8
Types of Importers	9
Importers	10-23
Arms Exports Control Act.....	24-25
Forms	26-37
Stamps	38

FIREARMS VERIFICATION

Firearm Markings — Requirements	39-43
Definitions	44-61
Firearms Terminology & Nomenclature	62-68
Machinegun Destruction	69-73

REFERENCE & REGULATIONS

Appendix-A: Federal Firearms Regulations	A-1 to A-365
Appendix-B: Open Letters	B-1 to B-10
Appendix-C: Rulings	C-1 to C-40
Appendix-D: Sample Forms	D-1 to D-38
Appendix-E: Import Restriction Stamps	E-1 to E-9
Appendix-F: Firearms Destruction Guide	F-1 to F-16
Appendix-G: Firearms Measurement Guide	G-1 to G-7
Appendix-H: Points of Contact.....	H-1 to H-4
Appendix-I: Form Letters	I-1 to I-4
Appendix-J: Associated Links	J-1 to J-5

General Overview

The **Gun Control Act of 1968 (GCA)** generally prohibits the importation of firearms into the United States. However, the **GCA** creates several narrow categories of firearms the Attorney General shall authorize for importation. In general, the **GCA** provides in **Title 18 United States Code (U.S.C.), Chapter 44, § 925** that firearms being imported into the United States must be of a type generally recognized as particularly suitable for or readily adaptable to sporting purposes. Also surplus military firearms are excluded from importation by this provision. However, **certain surplus military firearms and other non-sporting firearms qualifying as "curios or relics"** may be imported. Additionally, **18 U.S.C., Chapter 44, § 925(a)(1)** provides that this prohibition does not apply to the importation of firearms or ammunition sold or shipped to, or issued for the use of the United States or any department or agency thereof, or any State or any department, agency, or political subdivision thereof.

The importation of certain firearms such as **machineguns, silencers, certain weapons made from rifles or shotguns, and destructive devices** is also prohibited under the **National Firearms Act (NFA), 26 U.S.C., Chapter 53, § 5844**. The importation of certain **firearms, firearms parts, ammunition and certain other military equipment** is subject to the provisions of the Arms Export Control Act of 1976 (AECA).

Handguns being imported into the United States must also be recognized as particularly suitable for or readily adaptable to sporting purposes under **18 U.S.C., Chapter 44, § 925(d)(3)**. An **ATF Form 4590** is used in evaluating handguns for these purposes. Handguns must obtain a certain numeric value before they are approved for importation. The factoring criteria are based upon certain considerations such as dimensions, material used in construction, weight, caliber, safety features, and miscellaneous equipment. For additional information on the importability of handguns, see **Factoring Criteria** in this **FEIB Guidebook**.

In determining whether a particular rifle or shotgun is suitable for or readily adaptable to sporting purposes within the meaning of the statute, **ATF** generally relies upon an analysis of the physical features of the firearm. Determinations regarding the classification of a specific rifle or shotgun would be made on a case-by-case basis using criteria which includes the **overall appearance, length, weight, receiver or frame design and construction, designed magazine capacity, configuration** and the **presence of various physical characteristics designed for military and law enforcement application** that distinguish the sample rifle or shotgun from traditional sporting firearms. (see e.g. **ATF Rul. 94-1, 94-1, 95-3**)

Firearms not previously approved by **ATF** for importation into the United States may be required to be submitted for evaluation. An **ATF Form 6 Application and Permit for Importation of Firearms, Ammunition and Implements of War** is used to initiate the importation. A **Form 6** that is conditionally approved instructs the U.S. Customs and Border Protection to deliver the firearm from the port of entry to **ATF**. Upon completion of our examination, if the firearm is determined to be importable, it is returned to the importer or to their broker. If the firearm is found to be unsuitable for importation it would have to be exported, abandoned to the Government or destroyed.



Laws and Regulations (*In Brief*)

- The importation of **firearms and ammunition** is subject to the provisions of **18 U.S.C., Chapter 44**, the **Gun Control Act of 1968 (GCA)** and the implementing regulations in **27 CFR, Part 478**. (*formerly Part 178*)
- Importation of certain firearms such as **machineguns, silencers, certain large caliber weapons, other concealable weapons** and **explosive or incendiary weapons** is also subject to the provisions of **26 U.S.C., Chapter 53**, the **National Firearms Act (NFA)** and the implementing regulations in **27 CFR, Part 479**. (*formerly Part 179*)
- Importation of certain **firearms, firearm parts, ammunition and certain other military equipment on the U.S. Munitions Import List (USMIL)** is also subject to the provisions of the **22 U.S.C. § 2778**, the **Arms Export Control Act of 1976 (AECA)** and the implementing regulations in **27 CFR, Part 447**. (*formerly Part 47*) (*see 27 CFR § 447.21 for list of articles on the USMIL*)

POLICIES & PROCEDURES required to initiate the importation of FIREARMS, AMMUNITION, AND IMPLEMENTS OF WAR

1. In order to engage in the business of importing firearms or ammunition for resale, **you must be licensed as an importer under the Gun Control Act of 1968**. You may apply for a license by executing the enclosed **Form 7 application** and forwarding it, along with fingerprints and photographs with the fee attached, to the address indicated on the form.
2. In order to engage in the business of importing articles on the **U.S. Munitions Import List (USMIL)**, including firearms, ammunition, or firearm parts (other than sporting shotguns, shotgun parts, or shotgun shells) for resale, **you must also be registered as an importer under the Arms Export Control Act** with ATF. You may apply for registration by executing **ATF Form 4587**, in duplicate with original signature on both copies, and enclosing your check made payable to the Bureau of Alcohol, Tobacco, Firearms and Explosives, **in the amount of \$250 for 1 year; \$500 for 2 years; \$700 for 3 years; \$850 for 4 years; or \$1,000 for 5 years**. The **Form 4587** and check should be forwarded to the address indicated on the form.
3. In order to engage in the business of importing, manufacturing, or dealing in firearms coming within the purview of the **National Firearms Act (NFA)**, **you must register and pay a special (occupational) tax**. NFA firearms include **machineguns, destructive devices, short-barreled shotguns, short-barreled rifles, etc.** You may register as an NFA special (occupational) taxpayer by executing **ATF Form 5630.7** and forwarding it with the fee attached to the **Bureau of Alcohol, Tobacco, Firearms and Explosives, P.O. Box 371962M, Pittsburgh, PA 15250-7962**. As a special occupational taxpayer, you are required to have an **Employer Identification Number (EIN)**. You may apply for your **EIN** by executing the enclosed **Form SS-4** (instruction sheet attached).

NOTE: *You are also encouraged to check with State and local authorities to ensure you will be complying with their requirements regarding NFA weapons.*

NOTE: *See additional Policies & Procedures on next page*

Laws & Regulations *(continued)*

NOTE: Continued from previous page

**POLICIES & PROCEDURES
required to initiate the importation of
FIREARMS, AMMUNITION, AND IMPLEMENTS OF WAR**

4. An approved import permit on **ATF Form 6, Application and Permit for Importation of Firearms, Ammunition and Implements of War**, is required to import these articles into the United States and allows the importation of the articles listed on the form. A permit is valid for one year from its approved date.
5. A Federally licensed **firearms dealer, pawnbroker or manufacturer may obtain a permit for an occasional importation of a personally owned firearm for a named specific individual** (The name, address and purpose should be shown in the item entitled '**Specific Purpose of Importation**' on the **Form 6 Part I**), whether for himself or another person, without becoming licensed and registered as an importer. **This importation cannot be for resale.**
6. A Federally licensed **firearms collector may obtain a permit for an occasional importation of curios or relics only for his personal collection without becoming licensed and registered as an importer.** However, a licensed **collector may not import surplus military curios or relics or non sporting firearms.**
7. An unlicensed **person may obtain a permit to import sporting type ammunition (excluding tracer or incendiary) and firearm parts (other than frames, receivers or actions) without engaging the services of a Federal firearms licensee,** provided the importation is for his **personal use and not for resale.**
8. In order to engage in the business of exporting, manufacturing, or brokering items on the **U.S. Munitions List you must be registered with the Department of State** which administers the export and manufacturing provisions of the **Arms Export Control Act.** For further information, you should contact:

**Office of Defense Trade Controls PM/DTC
Department of State
Suite 1200, SA-1
2401 E Street, NW
Washington, DC 20522-0112
(202) 663-2980
www.pmdtc.org**

9. The **Department of Commerce** regulates the export of sporting shotguns and requires a license to export these firearms. **There is no fee for this license.** For further information you should contact:

**Bureau of Industry and Security
Export Counseling Division
Department of Commerce
19th Street & Pennsylvania Ave., NW
Washington, DC 20230
(202) 482-4811
www.bis.doc.gov**

Import Requirements for Firearms & Ammunition

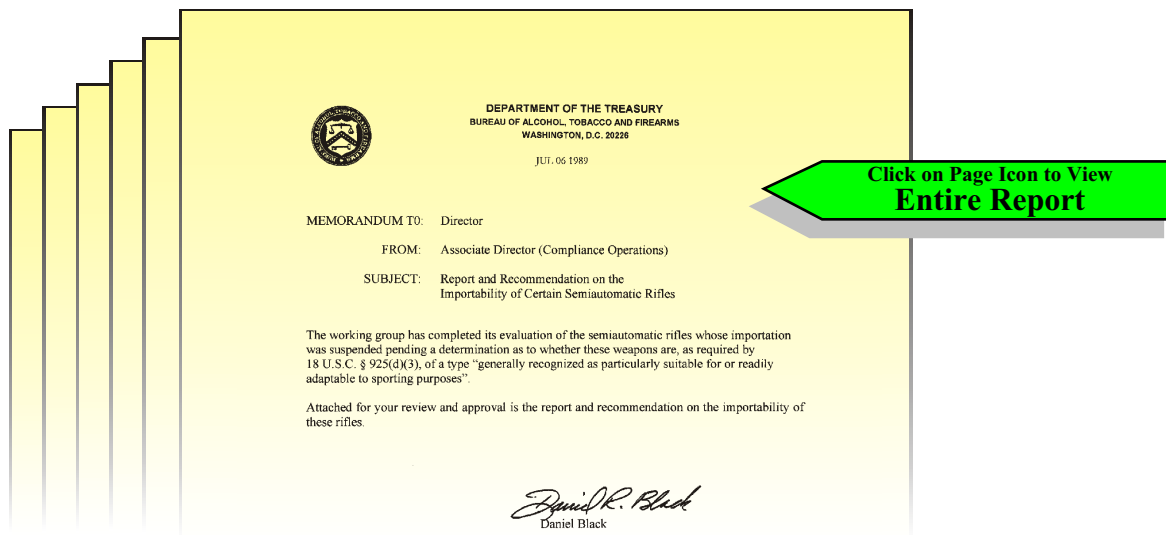
It shall be unlawful for any person knowingly to import, or bring into the United States, any firearms or ammunition. **18 U.S.C. § 922(1)**. However, as provided in **18 U.S.C. § 925**, the GCA generally allows the importation of sporting firearms and ammunition and certain surplus military firearms classified as curios or relics.

- **SPORTING FIREARMS** To qualify for importation under **18 U.S.C. § 925(d)(3)** a firearm or ammunition must be of a type generally recognized as particularly suitable for or readily adaptable to sporting purposes.
 - **Handguns** - Pistols & Revolvers must meet size & safety requirements and accrue a qualifying point value specified on **ATF Form 4590, Factoring Criteria for Weapons**.
 - **Rifles and Shotguns** - Firearms such as single shot, lever action, bolt action and certain semiautomatic long guns **with generally recognized sporting features**.

NOTE: ATF has determined that certain features designed for military application are indicative of non-sporting rifles and shotguns. Features which are **not recognized as sporting** include, but are not limited to, folding or telescoping stocks, pistol grips that protrude conspicuously beneath the action of the weapon, a bayonet or bayonet mount, a flash suppressor or threaded barrel designed to accommodate a flash suppressor, a grenade launcher and night sights. These features as well as other information concerning a particular firearm, may result in ATF classifying a rifle or shotgun as non-sporting. Additional information regarding this subject is available in the **Report and Recommendation of the ATF Working Group on the Importability of Certain Semiautomatic Rifles**.

(An extract of that documentation is available below - *click on the illustrated pages to view the entire document*)

- **SURPLUS MILITARY FIREARMS** which have ever been possessed by a regular or irregular military force are prohibited from importation under **18 U.S.C. § 925(d)(3)**; however, **§ 925(e)** authorizes **licensed importers (FFL type 08 or 11) to import surplus military rifles and shotguns classified as curios or relics; and handguns classified as curios or relics which meet the sporting criteria**. In order to qualify for importation the firearms must be in original military configuration. Further, under the AECA, the import of U.S.-origin surplus military firearms is generally prohibited without retransfer authorization from the Department of State. **27 C.F.R. § 447.57**



ATF Form 4590 - Factoring Criteria for Weapons

NOTE: Form 4590 is intended for informational use only. Copies are provided for your review to promote a better understanding of how ATF determines the importability of handguns but may not be submitted for consideration.

(An extract of that document is available below - [click on the representative page icon to view the entire document](#))

- **The ATF Form 4590, Factoring Criteria for Weapons, was implemented as a result of the Gun Control Act of 1968 (GCA).** Following the enactment of the **GCA**, the **Treasury Department** established an advisory council known as the **Firearms Evaluation Panel** to provide guidance in determining an import standard, and to identify which firearms met this standard for importation into the United States. **The panel focused its attention on handguns and recommended the adoption of a factoring criteria to evaluate certain types of handguns.** The resulting factoring criteria for handguns is a one-page worksheet utilized by **ATF's Firearms Technology Branch** to calculate a numeric score that is used in determining whether a certain handgun is legal to import into the United States.

- **Form 4590 establishes certain standards and prerequisites for imported handguns.** Those qualifying benchmarks **establish minimum size and weight requirements** for handguns under consideration for importation. Each submitted sample can accrue additional points based on the accumulative evaluation of its configuration, design, and enhanced safety features that further contribute to overall sporting and safety characteristics.

NOTE: The factoring criteria applies only to complete firearms, not actions, frames or receivers.

Generally, **domestically produced firearms** are not subject to the factoring criteria as long as they remain within the United States. However, if a U.S. made handgun were exported, it would be subject to the factoring criteria before it could be imported back into the United States. An exception to this rule is provided if the person who exported the firearm is the person bringing it back into the United States. In such an instance the **sporting purposes test does not apply 18 U.S.C. § 925(d)(4).**

Handguns that are classified as **surplus military curios or relics** are also subject to the factoring criteria. Failure to obtain a sufficient numeric score on **ATF Form 4590** would prohibit their importation.

DEPARTMENT OF THE TREASURY BUREAU OF ALCOHOL, TOBACCO AND FIREARMS FACTORIZING CRITERIA FOR WEAPONS					
NOTE: The Bureau of Alcohol, Tobacco and Firearms reserves the right to preclude importation of any revolver or pistol which achieves an apparent qualifying score but does not adhere to the provisions of section 925(d)(3) of Amended Chapter 44, Title 18 U.S.C.					
PISTOL			REVOLVER		
PREREQUISITES			PREREQUISITES		
1. The pistol must have a positive manually operated safety device 2. The combined length and height must not be less than 10" with the height (right angle measurement to barrel without magazine or extension) being at least 4" and the length being at least 6"			1. Must pass safety test 2. Must have overall frame (with conventional grips) length (not diagonal) of 4 1/2" minimum. 3. Must have a barrel length of at least 3"		
INDIVIDUAL CHARACTERISTICS	POINT VALUE	POINT SUB TOTAL	INDIVIDUAL CHARACTERISTICS	POINT VALUE	POINT SUB TOTAL
OVERALL LENGTH			BARREL LENGTH (Muzzle to Cylinder Face)		
FOR EACH 1/4" OVER 6"	1		LESS THAN 4"	0	
FRAME CONSTRUCTION			FOR EACH 1/4" OVER 4"	1/2	
INVESTMENT CAST OR FORGED STEEL	15		FRAME CONSTRUCTION		
INVESTMENT CAST OR FORGED HTS ALLOY	20		INVESTMENT CAST OR FORGED STEEL	15	
WEAPON WEIGHT W/MAGAZINE (Unloaded) PER OUNCE	1		INVESTMENT CAST OR FORGED HTS ALLOY	20	
CALIBER			WEAPON WEIGHT (Unloaded) PER OUNCE	1	
22 SHORT (NOT AUTO)	0	0	CALIBER		
22 LR (NOT AUTO)	3		22 SHORT (NOT AUTO)	0	

Click on Page Icon to View ATF Form 4590

Restricted Importation

- **NFA FIREARMS** as defined in **26 U.S.C. § 5845**, such as machineguns, machinegun receivers, silencers, short barrel rifles, short barreled shotguns, destructive devices, smoothbore pistols, and certain other firearms (including certain unserviceable weapons).
- **SURPLUS MILITARY FIREARMS** which are generally not authorized for importation under **18 U.S.C. § 925(d)(3)**.
- **NONSPORTING FIREARMS** such as handguns which do not meet the sporting purpose criteria on **ATF Form 4590**, any rifle or shotgun with a folding stock or folding bayonet, and shotguns having a fixed magazine with a capacity of more than 5 cartridges and certain military style semiautomatic rifles and shotguns.
- **SEMIAUTOMATIC ASSAULT WEAPONS** as defined in **18 U.S.C. § 921(a)(30)**.
- **NONSPORTING AMMUNITION** including armor piercing ammunition, tracer ammunition (except sporting shotgun ammunition), Ammunition for destructive devices, and incendiary ammunition. (see **18 U.S.C. § 921(a)(17)(B)**).
- **PROSCRIBED COUNTRIES** Importation of firearms (other than sporting shotguns), ammunition (other than sporting shotgun ammunition), and munitions articles originating in certain countries is prohibited.

PROSCRIBED COUNTRIES

Defense articles that were manufactured in or being exported from any of the countries listed below *cannot be authorized for importation* into the United States.

Afghanistan
Belarus*
Cuba
Haiti
Iran
Iraq
Libya
North Korea
Syria
Vietnam

Both **27 CFR § 447.52** and **22 CFR § 126.1** also apply the same proscriptions to countries with which the United States *maintains an arms embargo*.

The ITAR notes the following countries:

Burma
China
Liberia
Rwanda
Somalia
Sudan
Unita (Angola)
Zaire

** States of the former Soviet Union*

NOTE: *This listing is periodically updated. See page 8 for additional information.*

Restricted Importation

- **VOLUNTARY RESTRAINING AGREEMENT** Certain restrictions apply to both ammunition and firearms (other than sporting shotguns) which are located or manufactured in **Georgia, Kazakstan, Kyrgystan, Moldava, Russian Federation, Turkmenistan, Ukraine or Uzbekistan** and any firearm or ammunition manufactured in the former **Soviet Union**. Only the following stipulated firearm models or parts for these models **are** importable under the present agreement:

Pistols/Revolvers

German Model P08 Pistol	MC-1-5 Pistol
IZH 34M (.22 caliber Target Pistol)	Polish Vis Model 35 Pistol
IZH 35M (.22 caliber Target Pistol)	Soviet Nagant Revolver
Mauser Model 1896 Pistol	TOZ 35, .22 caliber Target Pistol
MC-57-1 Pistol	

Rifles

BARS-4 Bolt Action Carbine	MC-113-02
Biathlon Target Rifle, .22LR caliber	MC-115-1
British Enfield Rifle	MC-125/127
CM2, .22 caliber Target Rifle (also known as SM2, 22 caliber)	MC-126
German Model 98K Rifle	MC-128
German Model G41 Rifle	Saiga Rifle
German Model G43 Rifle	Soviet Model 38 Carbine
IZH-94	Soviet Model 44 Carbine
LOS-7 Bolt Action Rifle	Soviet Model 91/30 Rifle
MC-7-07	TOZ 18, .22 caliber Bolt Action Rifle
MC-18-3	TOZ 55
MC-19-07	TOZ 78
MC-105-01	Ural Target Rifle, .22LR caliber
MC-112-02	VEPR Rifle
	Winchester Model 1895 (Russian Model Rifle)

Under the current agreement, **Prohibited Items** include:

Post February 9, 1996 Production Firearms

A type of firearm the manufacture of which began after February 9, 1996

Prohibited Types of Ammunition

7.62X25mm caliber (also known as 7.63X25mm caliber or .30 Mauser)

NOTE: This agreement provides that either the United States or the Russian Federation may propose additional firearms for importation, and upon agreement of the two nations, the above list can be amended.

Please access the ATF Web site at www.atf.gov for updates.

Conditional Importation

ATF may authorize **firearms, ammunition and implements of war** to be imported for examination by **ATF's Firearms Technology Branch** to determine their import status. Items which are determined to be nonimportable generally must be **abandoned to the United States government, exported under a State Department license, or destroyed under Customs supervision.**

Conditional importation is also allowed for articles imported for storage in a **Customs Bonded Warehouse (CBW)** or in a **Foreign Trade Zone (FTZ).**

When **ATF** approves a conditional importation, **ATF Form 6** is stamped **“CONDITIONAL IMPORTATION PER ATTACHMENT”** in red letters. Then the applicant will receive a **letter attachment** outlining the reasons why this application was conditionally approved and providing further importation instructions.

If **Customs** releases the firearm(s) to you or your broker under conditional importation, it is your **responsibility** to forward the firearm(s) to **ATF's Firearms Technology Branch.** You are **not required** to affix the required markings to conditionally imported firearms, however, if you do, **ATF** will consider them in its evaluation.

(see sample documentation)

DEPARTMENT OF THE TREASURY BUREAU OF ALCOHOL, TOBACCO AND FIREARMS APPLICATION AND PERMIT FOR IMPORTATION OF FIREARMS, AMMUNITION AND IMPLEMENTS OF WAR NOT FOR USE BY MEMBERS OF THE UNITED STATES ARMED FORCES <i>(Submit in triplicate)</i>						OMB No. 1512-0017 FOR ATF USE ONLY					
						PERMIT NO. 123456					
						VALID FOR 12 MONTHS AFTER THE DATE OF APPROVAL (ITEM 18 BELOW)					
SECTION I - APPLICATION											
1. FEDERAL FIREARMS LICENSE <i>(if Any)</i>				2. TELEPHONE NO		3. COUNTRY OF EXPORTATION					
LICENSE NO. 987-654-321-123		EXPIRATION DATE 04-01-2003		555-123-4567		Yrtnuoc					
4. NAME AND ADDRESS OF BROKER, if any <i>(Including ZIP Code)</i>				5. APPLICANT'S NAME AND ADDRESS <i>(Including ZIP Code)</i>							
Rekorb Company Inc. Anytown, USA 98765-4321				Tnacilppa Imports Inc. Yourville, USA 12345-6789							
<input checked="" type="checkbox"/> Check here if permit is to be returned to broker.				<input type="checkbox"/> Check here if permit is to be returned to applicant.							
6. NAME AND ADDRESS OF FOREIGN SELLER, if any				7. NAME AND ADDRESS OF FOREIGN SHIPPER							
Smraerif Manufacturing Company Inc. Hisberg, Anycountry 7654321				Retropxe Shipping Inc. Thatboro, Yrtnuoc 674523							
8. DESCRIPTION OF FIREARMS AND AMMUNITION <i>(For firearms, enter (SG) - Shotgun; (R) - Rifle; (PI) - Pistol; (RE) - Revolver)</i>											
	NAME AND ADDRESS OF MANUFACTURER	TYPE (SG),(R),(PI),(RE)	CALIBER GAUGE OR SIZE	QUANTITY (Each type)	UNIT COST	US MIL CATEGORY	MODEL (MFRS) DESIGN	LENGTH OF BARREL (Inches)	OVERALL LENGTH (Inches)	SERIAL NO.	NEW (N) OR USED (U)
	a	b	c	d	e	f	g	h	i	j	k
FIREARMS	Theirguns Manufacturing Co.	R	30-06	1	\$100		R2	20.5	34.25	A12345678	U

[Click on Page Icon to View ATF Form 5330.3](#)

Types of Importers

The importation of firearms, ammunition and implements of war, for sale, is generally done by a type 08 or 11 Federal Firearms Licensee (FFL) who is registered under the AECA by ATF. The importation of sporting shotguns, sporting shotgun parts and ammunition is exempt from the AECA. An FFL is someone who has completed the ATF Form 7 or 7CR and paid the appropriate fee to manufacture, deal, collect, or import firearms, ammunition and/or perform firearm repair work. Categorized below are those that may engage in importation activities.

- **LICENSED IMPORTERS** (FFL type 08 or 11) may use **Form 6 (Part 1)** to import sporting firearms, ammunition, surplus military (curio or relic) rifles and shotguns, and surplus military (curio or relic) handguns which meet the sporting criteria on **ATF Form 4590**, for wholesale and retail sales. Firearms imported by licensed importers are required to be marked as prescribed in **18 U.S.C. § 923(i) and 27 CFR § 478.92** (*also see Marking Requirements in this guide*).
- **LICENSED DEALERS, PAWNBROKERS, & MANUFACTURERS** (FFL type 01, type 02 & type 07) may use **Form 6 (Part 1)** to import firearms and ammunition for the licensee's personal use, for repair, or for a specifically named purchaser. Dealers, pawnbrokers and manufacturers, may not import firearms or ammunition for resale. **18 U.S.C. § 922(a)(i)**
- **LICENSED COLLECTORS** (FFL type 03) may use **Form 6 (Part 1)** to import sporting ammunition and firearms classified as curios or relics, for their personal collection, not for resale.
- **NONLICENSEES** may use **Form 6 (Part 1)** to import sporting ammunition for their personal use, not for resale. A nonlicensed resident of a State cannot import firearms from a foreign country. A nonlicensee who wishes to import a commercial, sporting firearm may engage the services of any Federal firearms licensee other than a collector to import the firearm on their behalf. The licensee may then transfer the firearm to the nonlicensee in compliance with the provisions of Federal law and any applicable State law or local ordinances.
- **ALIENS** entering the United States to establish residency may submit **Form 6 (Part 1)** if the items are accompanying them or are in their personal effects. Once an alien has established residency, they must utilize the services of an FFL to effect the importation on their behalf. **18 U.S.C. § 922(a)(3)**
- **NONIMMIGRANT ALIENS** may temporarily import firearms and ammunition for lawful hunting or to attend a competitive target shooting event or sports/hunting trade show. The event or show must be sponsored by a national, State, or local firearms organization devoted to the collection, competitive use, or other sporting use of firearms. A new form, **ATF F 6 NIA**, has been created for these individuals. Nonimmigrant aliens must also obtain a hunting license from any state, or an invitation or registration to a shooting event or trade show, to submit with their application. (*became effective February 19, 2002*). **18 U.S.C. § 922(g)(5)**
- **MILITARY PERSONNEL** on active duty outside the U.S. may use **Form 6 (Part 2)** to import commercial, sporting firearms and sporting ammunition for personal use, not for resale. **18 U.S.C. § 925(a)(4)**

Importers - Import Activities in Foreign Trade Zones & Custom Bonded Warehouses

■ FOREIGN-TRADE ZONES

Foreign Trade Zones (FTZ) are secure areas located in or near U.S. Customs ports of entry, but are legally considered to be outside the Customs territory for the purpose of tariff laws and Customs entry procedures. These FTZ designated areas are the United States' version of what are known internationally as *free trade zones*.

Foreign and domestic merchandise may be moved into zones for operations, not otherwise prohibited by law, including storage, exhibition, assembly, and processing. All zone activity is subject to public interest review. **Foreign-trade zone sites** are subject to the laws and regulations of the United States as well as those of the states and communities in which they are located.

Authority for establishing these facilities is granted by the **Foreign-Trade Zones Board** under the **Foreign-Trade Zones Act of 1934**, as amended (**19 U.S.C. § 81a-81u**). The **Foreign-Trade Zones Act** is administered through two sets of regulations, the **Foreign-Trade Zone Regulations (15 CFR, Part 400)** and the **Customs Regulations (19 CFR, Part 146)**. The Executive Secretariat of the Board is located within the Import Administration of the U.S. Department of Commerce, Washington, D.C.

■ U.S. CUSTOMS BONDED WAREHOUSE

A **Customs Bonded Warehouse (CBW)** is a building or a stipulated secure area in which dutiable goods may be stored, without payment of duty. The authority for establishing such **CBWs** is set forth in **19 U.S.C. § 1555**. Bonded manufacturing and smelting and refining warehouses are established under **19 U.S.C. § 1311 and § 1312**.

Upon entry of goods into the **CBW**, the importer and warehouse proprietor incur liability under a bond. This liability is generally canceled when the goods are:

- Exported or deemed exported
- Withdrawn for supplies to a vessel or aircraft involved in international traffic
- Destroyed under Customs supervision
- Withdrawn for consumption within the United States after payment of duty.

■ FTZ/CBW APPLICATION REQUIREMENTS & PROCESSING PROCEDURES

If you are submitting an application to enter into or remove articles from a **FTZ** or **CBW**, your application may be **conditionally approved** and accompanied by a letter outlining the procedures you must follow.

Firearms and ammunition are frequently imported into **FTZs** and **CBWs** in order to delay purchase order requirements and other legal restriction imposed by Federal law. For example, **machineguns** and **nonsporting firearms** may be imported into an **FTZ** or **CBW** for storage pending sale to qualified law enforcement purchasers. A second **ATF Form 6** would then be required, accompanied by a purchase order, to remove the firearms from the **FTZ** or **CBW** for commercial sale.

Foreign Trade Zone link

http://www.customs.gov/xp/cgov/importcargo_control/ftz/about_ftz.xml

Importers - Import Activities in Foreign Trade Zones & Custom Bonded Warehouses

■ FTZ/CBW APPLICATION REQUIREMENTS & PROCESSING PROCEDURES *(continued)*

A **current ATF Form 6** is required in order to enter firearms into a **FTZ** or **CBW**. A **subsequent Form 6** must be approved for removal of the firearms from the respective **FTZ** or **CBW** if they are for consumption within the United States. It should be further noted that not every **FTZ** or **CBW** is authorized/designated as having the appropriate security for certain types of firearms. Importers should check with Customs to determine what activities are allowable. Both the GCA and NFA are applicable to CBWs and neither statutes allows importation for the purpose of subsequent exportation.

■ INTERNATIONAL IMPORT CERTIFICATES (Form BXA 645/ATF 4522/DPS-53)

The **International Import Certificate (IIC)** was formulated as part of an agreement between the **Department of Commerce**, the **Bureau of Alcohol, Tobacco, Firearms and Explosives (ATF)** and the **Department of State** and issued for the purpose of facilitating international cooperation in export control matters and creating a standardized method of control. The form is issued by **ATF** for articles enumerated on the **United States Munitions Import List** pursuant to the execution of an **ATF Form 6**. The **IIC** is valid for six months after its date of issue. If all commodities **are not** imported within that six-month period, a new IIC must be submitted to **ATF** for approval.

27 CFR § 447.45(a) and **27 CFR § 478.112(c)** imposes an **additional** requirement on all registered and licensed (FFLs -Types "08" or "11") importers. In addition to the **ATF Forms 6** and **6A** already required to obtain the release of firearms, firearms parts, or ammunition, you must also present to U.S. Customs & Border Protection officials a copy of the **export license** authorizing the export of the articles from the exporting country. If the exporting country does not require the issuance of an export license, you instead must present a **certification, signed by you under penalties of perjury**, to that effect.

**Conditional Authorization to Import
Surplus Military or Non-Sporting Firearms
and Store in Customs Bonded Warehouse**

901030
5330/12345
Ref:12345

Dear Tnacilppa Retorpmi:

This refers to your application dated 04/01/2003, to import for storage in a Customs bonded warehouse.

We have conditionally approved your application as permit #12345 to move the firearms from the port of entry to a Customs bonded warehouse and to store the firearms in the Customs bonded warehouse pending their withdrawal. The conditions are as follows:

(1) The movement and storage of the firearms will be subject to compliance with U.S. Customs Service laws, regulations, and procedures.

Importers - Sales and Sales Samples

■ SALES TO LAW ENFORCEMENT AND GOVERNMENT ENTITIES

Law enforcement and government entities are authorized to import and/or receive firearms or articles classified as: (1) **non-sporting**; (2) **semiautomatic assault weapon**; (3) **large capacity ammunition feeding devices** manufactured after September 13, 1994; (4) **surplus military**; and (5) **firearms that are classified as National Firearms Act (NFA) weapons**, such as machineguns, silencers, short-barreled shotguns and rifles, destructive devices, and certain firearms identified as "any other weapons".

You must complete **one** initial **Form 6** to store or stockpile such weapons inside a **CBW** or **FTZ** for future sales to law enforcement or government entities, and special (occupational) taxpayers. **NFA** weapons can only be stored in a high security storage facility that has been approved and supervised by Customs officials. The **initial Form 6** must clearly indicate in **item 10** that the firearms are to be entered into a **CBW** or **FTZ** and should show the address of the facility. To import **U.S. origin military defense articles**, you must contact the **U.S. Department of State, Office of Regional Security and Arms Transfer**, (202-647-9750) and receive written retransfer authorization. This authorization must be attached to the **completed Form 6**. ATF will disapprove your application if the retransfer authorization is not attached.

A **second Form 6** is needed before imported articles initially approved for storage in a **CBW** or **FTZ** may be removed for direct sales to **law enforcement or government entities**, or to **special (occupational) taxpayers (SOT)**. The **second** completed **Form 6** must note in **item 10** that the purpose is to remove these items from a **CBW** or **FTZ**, to be sold to the law enforcement, government entity or **SOT** purchasing and/or demonstrating the weapon(s). The law provides that the period to store weapons in a **CBW** shall not exceed **5 years**. However, once a **Form 6** to remove articles has expired, you **must submit a new application** to remove the articles from a **CBW** or **FTZ** regardless of the 5 year storage requirement. Each firearm withdrawn from the **CBW** or **FTZ** must be recorded in your acquisition/disposition records in accordance with **27 CFR § 478.122, § 478.171, and § 447.34**. You are not authorized to withdraw **NFA weapons** from a **CBW** for exportation. We suggest you contact the **State Department, Office of Defense Trade Controls, PM/DTC, Room 1304, SA-1, Washington, DC 20037, (202) 663-2714** regarding exporting defense articles from the United States. Both the **GCA** and **NFA** are applicable to **CBWs** and neither statutes allows importation for the purpose of subsequent exportation. Once an **NFA** article is removed from a **CBW** or **FTZ**, you must also complete **ATF Form 2 and either Form 3 or 5 to transfer NFA weapons** to authorized end users in the United States. The **second** completed **Form 6** must be accompanied by:

- In the case of **NFA** firearms imported as sales samples, a **letter** prepared by an official of a bona fide law enforcement or government entity, on their letterhead, signed by the **chief law enforcement officer (CLEO)**, such as a Chief of Police, Sheriff, or Commander, etc., or other official designated personnel having jurisdiction over the particular area expressing an interest in seeing a demonstration of that particular firearm; or
- An original agency **purchase order**, provided the letter or purchase order explicitly lists the specific firearm or feeding device imported by **type, caliber/gauge, and model designation**, and that the firearm or feeding device will be **used for official business**.

SALES TO LAW ENFORCEMENT AND GOVERNMENT ENTITIES continued on next page

Importers - Sales and Sales Samples

SALES TO LAW ENFORCEMENT AND GOVERNMENT ENTITIES *(continued)*

Importation and Storage of Non-NFA Articles Intended for Sale to LE and Government Entities

Sporting firearms, sporting ammunition, and surplus military curios and relics (excluding NFA) for sale to law enforcement or government entities can be imported using only a single Form 6. These items must be stored at your licensed address, or at an off site facility. Please note in **item 10** the address of the facility if the articles are to be stored someplace other than your licensed premises. If you import these items into a **CBW** or **FTZ**, you must follow the steps outlined on the previous page of this Guidebook.

- In the case of **NFA** firearms other than post-86 machineguns, documentation that the firearms are being imported for scientific or research purposes: or
- In the case of **semiautomatic assault weapons or large capacity ammunition feeding devices**, a purchase order from a licensee under title I of the Atomic Energy Act of 1954 indicating that the items are for purposes of establishing and maintaining an on-site physical protection system and security organization required by Federal law.

[Back to Previous Page](#)

[Advance to Next Page](#)

Importers - Sales and Sales Samples

■ SALES TO LAW ENFORCEMENT AND GOVERNMENT ENTITIES *(continued)*

To assist us in the timely processing of your **Forms 6** to import articles defined as non-sporting, semiautomatic assault weapons, surplus military, surplus military curio or relic machineguns, large capacity ammunition feeding devices, and NFA weapons, we ask that you ensure and understand that:

- Large capacity ammunition feeding devices manufactured after September 13, 1994, **may only be imported for the official use of a law enforcement or government entity or for use at a nuclear facility for on-site protection;**
- A letter stating the **surplus military, non-sporting, semiautomatic assault weapons (SAWs)**, and/or **NFA weapons** are being purchased for departmental inventory with departmental funds. An original purchase order **must accompany the Form 6** to purchase non-sporting weapons. **ATF Ruling 80-8** allows the importation of surplus military and non-sporting weapons **solely for official law enforcement and government use, not commercial or personal consumption;**
- The purchase order and/or document required to be prepared and signed by the official of the law enforcement or government entity receiving the weapons must be consistent with the information in items **8a-k on the completed Form 6**, distinctly describing the weapon by the **type, caliber/gauge, model designation, and serial number**, if known;
- Any supporting documentation, including the letter signed by the chief law enforcement officer or the purchase order, must be dated **no later than 6 months** from the completed **Form 6**.
- **Semiautomatic assault weapons and non-sporting weapons cannot be imported** as dealer sales samples;
- It must be clearly established that NFA weapons classified as curios and relics may be imported as sales samples only if they are particularly **suitable for use by law enforcement and government entities** in accordance with **27 CFR § 479.111** and **ATF Ruling 85-2;**
- The **Class I, II, or III special (occupational) taxpayer** ensures the **NFA** sales sample firearm is not in his/her current inventory;
- Attaching a copy of the **valid special (occupational) taxpayer stamp** for the dealer who will be demonstrating the sales sample NFA weapon to completed **Forms 6** would greatly assist in the expedient processing of your **Forms 6;**
- **Item 10 on the Form 6** can only list a **single** purpose for importing the particular weapon, such as sales sample, demonstration, testing, evaluation, research, etc.;
- **27 CFR § 478.122, § 478.171, 479.131, and § 447.34** require that you record all firearm transactions in your acquisition/disposition records (bound book).

Importers - Sales and Sales Samples

- **DEALER SALES SAMPLES** pertain solely to **National Firearms Act (NFA) weapons**. Licensed importers (Federal firearms licensees types 08 and 11) who possess a valid **Class I-special (occupational) tax (SOT) stamp** can import **NFA** weapons for demonstration to law enforcement and government entities, and for subsequent resale. Licensed importers may also import **NFA** weapons on behalf of other FFLs, excluding type 03 licensed collectors, for demonstration purposes, provided the FFL who will receive the **NFA** weapon(s) possesses a valid **Class I, II, or III SOT stamp**. The words "imported as dealer sales samples for (insert name of the qualified dealer and/or law enforcement or government entity demonstrating or purchasing the NFA weapon)" must be noted in **item 10** as the specific purpose for importation.

Subject to compliance with the provisions of **27 CFR § 479.105(d)**, applications to transfer and register machineguns manufactured or imported on or after **May 19, 1986**, to qualified dealers will be approved if the applications are accompanied by:

- An original agency **purchase order**, identifying the firearm(s) by the **manufacturer's name and address, type, caliber/gauge, model designation, and serial number**, if known; and/or,
- Documentation on agency letterhead **signed by the law enforcement official** having jurisdiction over the particular area, expressing a need for the particular firearm, or an interest in seeing a demonstration of the particular firearm. The required documentation must identify the firearm by type, caliber, model designation, and serial number, if known.
- Original documentation **signed by the dealer** requesting the sales sample describing the firearm by type, caliber, model designation, and serial number, if known and further stating that it will be used as a **sales sample** in a demonstration for the requesting law enforcement agency.
- The **availability** of the firearms to fill subsequent orders.
- The Class I, II, or III special (occupational) taxpayer ensures the **NFA** sales sample firearm is not in his/her **current inventory**.
- Applications to import **more than one of the same type, caliber/gauge, and model designation** to a dealer must clearly establish the dealer's need for the quantity of samples sought to be transferred. **Applications will not be approved using justifications such as sample needed for replacement parts, backup weapons, display, etc.** ATF will consider these applications on a case by case basis.
- Additionally, attaching a copy of the valid special (occupational) **tax stamp** (for the dealer who will be demonstrating the sales sample NFA weapon) to the completed **Forms 6** will greatly assist in the expedient processing of your **Forms 6**.

Note: All applications must be in compliance with **ATF Ruling 80-8** ([Click Here to see expanded explanation](#))

Importers - Sales and Sales Samples

■ DEALER SALES SAMPLES (continued)

Consistent with the provisions of **ATF Ruling 80-8**, applications for permits to import **non-sporting firearms or ammunition for sale or delivery to government or law enforcement agencies** must be supported by a purchase order from the government purchaser. Also, there are **no provisions of law that would allow the importation of a non-sporting firearm as a sales sample.**



ATF RULING 80-8

The Bureau of Alcohol, Tobacco and Firearms has received several inquiries from firearms importers and dealers, law enforcement agencies, and the public requesting clarification of the statutes, regulations and procedures regarding the importation of firearms for law enforcement agencies.

Importation of surplus military firearms or firearms not particularly suitable for or readily adaptable to sporting purposes is generally prohibited by section 925(d)(3) of Title 18, United States Code. However, section 925(a)(1) provides that this prohibition does not apply to the importation of firearms or ammunition sold or shipped to, or issued for the use of the United States or any department or agency thereof or any State or any department, agency, or political subdivision thereof.

Click on Page Icon to View
Ruling 80-8

Importers - Sales and Sales Samples

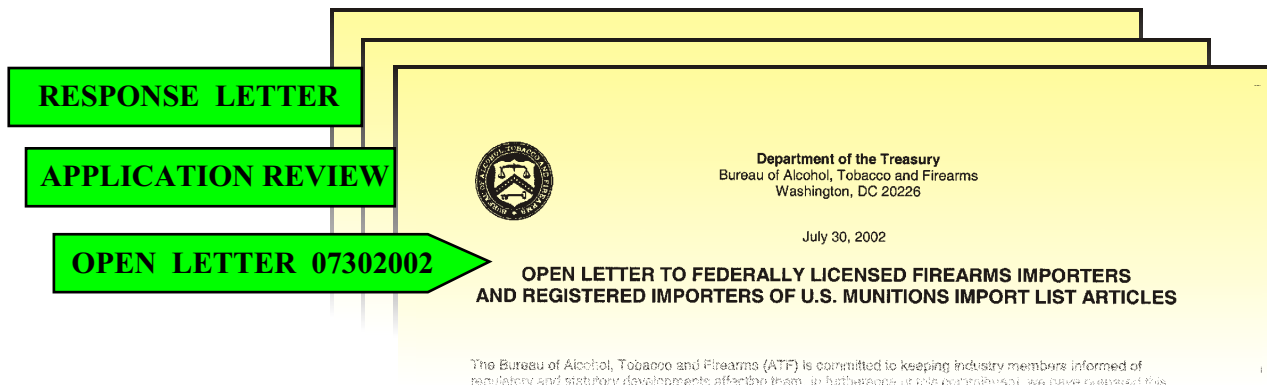
■ SALES SAMPLES - CURIO OR RELIC MACHINEGUNS

Due to a recent increase in the number of applications to import **curio or relic machineguns as law enforcement or governmental sales samples**, we remind you of **ATF Ruling 85-2**, which requires that it be clearly established that the weapon is particularly suitable for use as a law enforcement and government weapon. **Item 10** on the completed **Form 6 Part I** must clearly note the name of the **special (occupational) taxpayer** receiving the weapon for demonstration purposes.

Applications cannot be approved unless accompanied by:

- Documentation signed by you, the importer, providing additional information, such as the expected **customers who would require a demonstration of the machinegun**, and the availability of additional firearms to fill subsequent orders
- Documentation signed by **the law enforcement official** having jurisdiction over the particular area, expressing an interest in seeing a demonstration of the particular firearm. The required documentation must distinctly identify the firearm by type; caliber; model designation, and serial number, if known. Pursuant to **27 CFR § 479.111 and ATF Ruling 85-2**, such documentation must also establish by detailed and specific information that the firearm is particularly suitable for use as a law enforcement and government entity.

NOTE: Close scrutiny will be applied to all applications received to import defense articles into the United States. This may include FEIB personnel personally contacting the law enforcement or government entities to confirm the validity of a law enforcement official's signature and/or the affected supporting documentation. ATF reserves the right to determine whether documentation provided is acceptable, and to require the submission of additional documentation as deemed necessary.



Importers - Surplus Military

■ SURPLUS MILITARY

As Federal firearms licensed (FFLs -Types “08” or “11”) importers, you may complete the **ATF Form 6 Part I** to import surplus military firearms. **Surplus Military firearms** are weapons that belonged to a regular or irregular military force at any time. **Pursuant to 18 U.S.C. § 925(a)(1), surplus military firearms, and can only be imported by or for the official use of law enforcement and government entities for official law enforcement and government use, not for commercial or personal consumption.**

Pursuant to ATF Ruling 80-8, applications to import surplus military and nonsporting firearms cannot be approved unless they are accompanied by:

- an original agency **purchase order**, distinctly describing the imported surplus military firearm(s) by the **manufacturer's name and address, type, caliber/gauge, model designation, and serial number**, if known; and/or
- a letter prepared by **an official of a bona fide law enforcement or government entity** on their **official letterhead, signed by the chief law enforcement officer (CLEO)**, such as a Chief of Police, Sheriff, Commander, etc., or other official designated personnel having jurisdiction over the particular area. The required documentation must distinctly identify the firearm by **manufacturer's name and address, type, caliber/gauge, model designation, and serial number**, if known; and,
- a letter stating the firearms are being purchased for **departmental inventory** with **departmental funds**. (*ATF Ruling 80-8 requires these firearms to be department inventory*).

Importers - Surplus Military Curio or Relic

■ SURPLUS MILITARY - CURIO OR RELIC

Surplus Military Curio or Relic are generally firearms, such as **Lugers and Mauser Model 98s** that belonged to a regular or irregular military force at any time and were manufactured in years 1899 to 1946. However, there are other surplus military firearms manufactured after 1946 that have been classified as curios and relics, such as the **Yugoslavian Model M59/66**.

Pursuant to **18 U.S.C. § 925(e)**, **only Federal firearms licensed (FFLs - Types “08” or “11”) importers may import surplus military curio or relic firearms**. Such firearms must be in their original military configuration (have never been modified), unless being purchased by a law enforcement or government entity. Applications for these types of firearms **cannot be approved unless accompanied by:**

- **Original** documentation (such as warehouse receipts or other document which provides the required history of storage) attesting to where the firearm has been located for the **past five years**. The firearm **cannot** have been in **proscribed country or area for a five year period** immediately preceding the importation. **27 CFR § 447.52(e)(2)** You should obtain this documentation from the foreign source (firearm seller, family member, lawful heir, executor, or power of attorney) from whom you purchased the firearm(s).

Suggested Sample Foreign Source Documentation

“I (insert name of the foreign source) attest that for the last 5 years I possessed the (insert the specific weapon by manufacturer’s name and address, type, caliber, model designation, and serial number if known) as described in items 8a-k on the completed Form 6) in (note the name of the country for which the firearm has been for the past 5 years).”

- A statement signed by you (*the importer*) attesting to the validity of the foreign source document

Suggested Sample Declaration by Importer

“I declare under the penalties of perjury that the (insert the type of document such as statement, invoice, application or other documents, specifically naming the surplus military curio or relic firearm by manufacturer’s name and address, type, caliber, model designation, and serial number, if known) including the documents submitted in support thereof, has been examined by me and, to the best of my knowledge and belief, is true, correct and complete.”

Link to C&R List

<http://www.atf.gov/firearms/curios/intro.htm>

Importers - Firearms and Ammunition Excise Tax (FAET)

■ **BACKGROUND**

First imposed on **February 25, 1919**, **Internal Revenue Code (IRC) § 4181** requires a tax upon firearms and ammunition when the ...importer sells or uses the firearms or ammunition. A tax of **10 percent** of the sales price is imposed on pistols and revolvers. A tax of **11 percent** of the sales price is imposed on other portable weapons (e.g., rifles and shotguns) and ammunition. The excise tax is not imposed again unless the firearms and ammunition are further manufactured. The **Bureau of Alcohol, Tobacco, Firearms and Explosives (ATF)** had been responsible for collecting the firearms and ammunition (i.e., shells and cartridges) excise taxes from 1991 through January 2003. The Treasury Department, Alcohol and Tobacco Tax and Trade Bureau (TTB) retains the authority for collection of excise tax.

■ **WHO IS LIABLE**

Under most circumstances, **the person who causes and directs the importation will be liable** for the excise tax upon sale or use. For the manufacturer's excise tax, the importer is any person who brings firearms or ammunition (shells or cartridges) into the United States, or who withdraws such an article from a **Custom Bonded Warehouse (CBW)** or **Foreign Trade Zone (FTZ)** for sale or use in the United States.

■ **EXEMPTIONS**

There are certain situations where importation of **firearms or ammunition may be exempt from excise tax**. Information regarding these exemptions may be found at www.ttb.gov/fet/index.htm or by contacting the **National Revenue Center**, listed below.

■ **HOW IS THE TAX PAID**

Any activity conducted in the course of trade or business that would require a tax return (**ATF Form 5300.26, Federal Firearms and Ammunition Excise Tax Return**) may require the importer to file a tax deposit in addition to a tax return. Refer to **ATF Form 5300.27, Federal Firearms and Ammunition Excise Tax Deposit**, for further information on when a deposit is required.

■ **INQUIRIES**

If you have questions concerning firearms and ammunition excise tax, contact the **Alcohol and Tobacco Tax and Trade Bureau, Firearms and Ammunition Excise Tax Unit:**

Mail: **National Revenue Center, 8002 Federal Office Building
550 Main Street, Cincinnati, OH 45202**
Telephone: **1-800-398-2282 (toll free) or 513-684-3817**
E-mail: ttbquestions@ttb.gov

Importers - Record Keeping Requirements

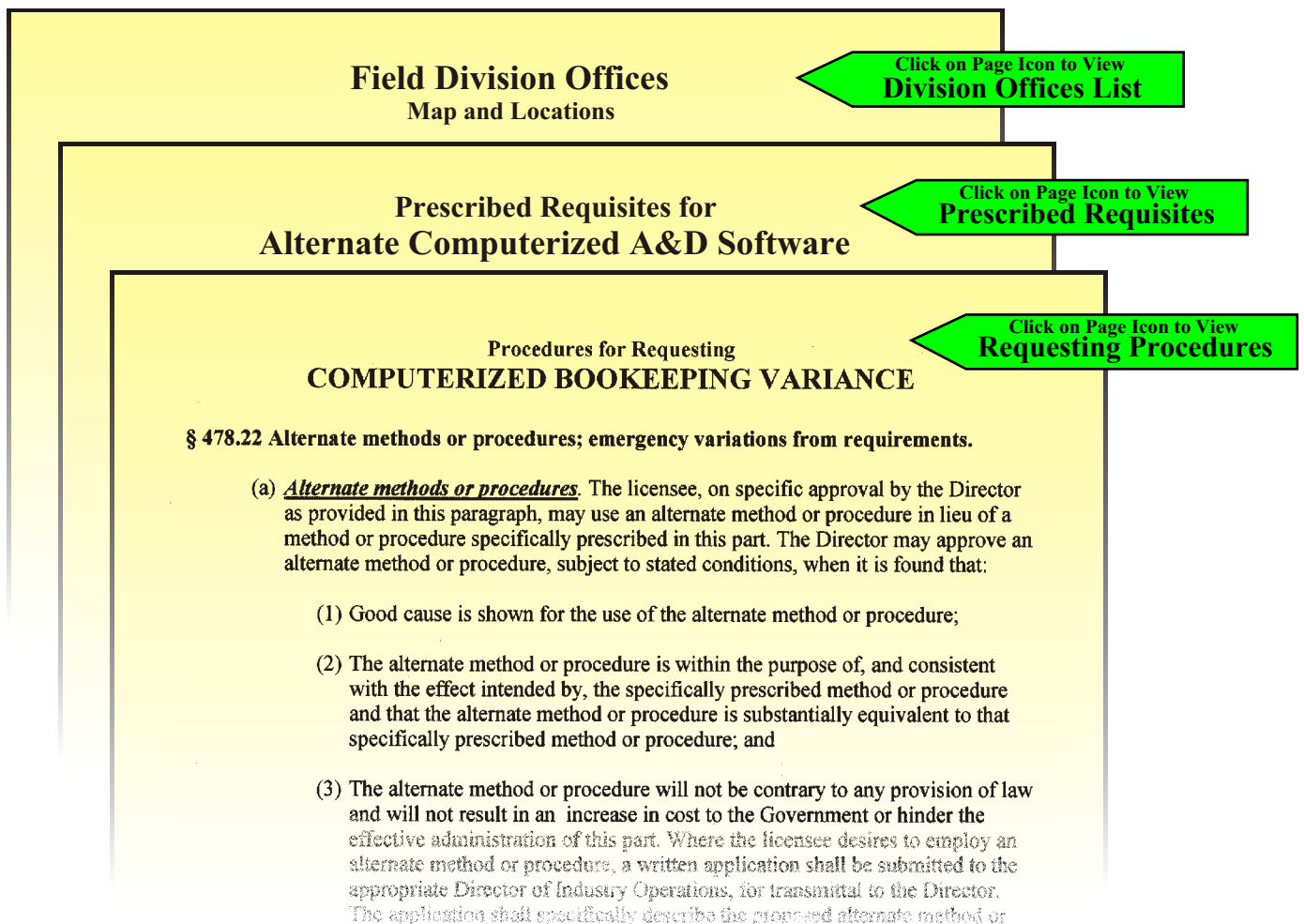
■ RECORDS OF IMPORTATION (27 CFR § 478.122)

Licensed firearms importers are required to maintain records of acquisition and disposition according to **27 CFR § 478.122**. This record takes the form of a bound book in which entries are written, however, a licensee may apply for a variance to maintain the required records on a computer by filing a request under the provisions of **27 CFR § 478.22**.

■ COMPUTERIZED ACQUISITION AND DISPOSITION RECORDS

Before a Federal firearms licensee can use a specific computer program for recordkeeping in lieu of the required bound book format, it is necessary to get prior approval from ATF. The Bureau **does not** issue blanket approvals for commercially available software programs nor does it endorse any particular product. All requests for a computerized recordkeeping variance must be sent to the Director of Industry Operations in your area. These procedures are outlined in **27 C.F.R. § 478.125(h)** in the **Federal Firearms Regulations Reference Guide, ATF P 5300.4**.

See the document below to access and view the Requesting Procedures to have ATF review a computerized recordkeeping system for approval in your operation:



Importers - Record Keeping Requirements

PROCEDURES for REQUESTING REVIEW of A&D SOFTWARE

Prescribed Requisites for COMPUTERIZED A&D SOFTWARE

Before a Federal firearms licensee can use a specific computer program for recordkeeping in lieu of the required bound book format, it is necessary to get prior approval from **ATF**. The Bureau **does not** issue blanket approvals for commercially available software programs nor does it endorse any particular product. All requests for a computerized recordkeeping variance must be sent to the **Director of Industry Operations** in your area. These procedures are outlined in **27 C.F.R. § 478.125(h)** in the **Federal Firearms Regulations Reference Guide, ATF P 5300.4**.

All requested systems must be accompanied by a sample printout of the format to be used and meet the following criteria:

1. Conform to all regulatory requirements for pertinent information.
(See **27 C.F.R. §§ 478.122, 478.123, or 478.125.**)
2. Be able to be **queried by serial number and acquisition date** of firearm. It would suffice to use commonly recognized trade names or abbreviations when denoting manufacturer or importer.
3. Have an acceptable **daily memory backup system**, such as disk or tape.
4. Have the capacity to provide a **periodic printout of all records**:
 - (a) at least semiannually;
 - (b) upon request by an ATF officer when required by law;
 - (c) when the system memory is purged;
 - (d) when the license is terminated, and
 - (e) sequentially by date of acquisition for all firearms in inventory, as well as all firearms sold during the period covered;
5. Be able to record both the **manufacturer and the importer** for foreign-made firearms.
6. Yield a printout that may include **flintlock, matchlock, percussion cap, or other antique firearms**.

Prescribed Requisites for COMPUTERIZED A&D SOFTWARE continued on next page

Back to Previous Page

Advance to Next Page

Importers - Record Keeping Requirements

■ PROCEDURES for REQUESTING REVIEW of A&D SOFTWARE (continued)

Prescribed Requisites for COMPUTERIZED A&D SOFTWARE

7. Include the name and address or name and license number of the suppliers and purchasers/transferees in the computer data. The name and an **ATF Form 4473** transaction number may be used in lieu of the name and address for recording the transfer of a firearm to a nonlicensee, if the **Forms 4473** are filed numerically.
8. Be self-contained, without reliance upon invoices or other paper/manual systems to provide any of the above information.
9. Upon termination of a license the licensee, must provide an ASCII text file (conforming to common industry standards) and a file description, in addition to printout(s) of all records to the Out of Business Records Center. The printout and **SCII text file** must contain the information prescribed in **27 C.F.R. § 478.125(e)**.
10. Allow users to forward all records to the Out of Business Records Center, per **27 C.F.R. § 478.127**, if the business is discontinued.

NOTE: Within 30 days after discontinuance of business, Federal firearms licensees are required to send their records to:

**ATF Out of Business Records Center
882 T. J. Jackson Drive
Falling Waters, WV 25419**

WARNING: Willfully failing to comply with **18 U.S.C. § 913(g)(4)** by not sending in your required records when discontinuing business is punishable by a fine not to exceed \$250,000 and/or imprisonment not to exceed 5 years.

11. Any proposed changes in an approved system must be submitted to local **ATF Director of Industry Operations*** for evaluation and consideration prior to implementation. Thus, if a licensee wants to change or upgrade the computer software system, the licensee must submit a new variance request to address the proposed system change or upgrade.

Finally, any request approved by **ATF** will contain the following language:
"This approval may be withdrawn if administrative difficulties arise. A copy of this letter should be made a part of your permanent records and be available for inspection by any officer of the Bureau."

Back to Previous Page

Return to Guidebook

Importers - Record Keeping Requirements

■ PROCEDURES for SUBMITTING REQUEST for VARIANCE

Procedures for Requesting COMPUTERIZED BOOKEEPING VARIANCE

§ 478.22 Alternate methods or procedures; emergency variations from requirements.

(a) *Alternate methods or procedures.* The licensee, on specific approval by the Director as provided in this paragraph, may use an alternate method or procedure in lieu of a method or procedure specifically prescribed in this part. The Director may approve an alternate method or procedure, subject to stated conditions, when it is found that:

- (1) Good cause is shown for the use of the alternate method or procedure;
- (2) The alternate method or procedure is within the purpose of, and consistent with the effect intended by, the specifically prescribed method or procedure and that the alternate method or procedure is substantially equivalent to that specifically prescribed method or procedure; and
- (3) The alternate method or procedure will not be contrary to any provision of law and will not result in an increase in cost to the Government or hinder the effective administration of this part. Where the licensee desires to employ an alternate method or procedure, a written application shall be submitted to the appropriate Director of Industry Operations, for transmittal to the Director. The application shall specifically describe the proposed alternate method or procedure and shall set forth the reasons for it. Alternate methods or procedures may not be employed until the application is approved by the Director. The licensee shall, during the period of authorization of an alternate method or procedure, comply with the terms of the approved application. Authorization of any alternate method or procedure may be withdrawn whenever, in the judgment of the Director, the effective administration of this part is hindered by the continuation of the authorization.

Procedures for Requesting COMPUTERIZED BOOKEEPING VARIANCE continued on next page

[Back to Previous Page](#)

[Advance to Next Page](#)

Importers - Record Keeping Requirements

■ PROCEDURES for SUBMITTING REQUEST for VARIANCE (continued)

Procedures for Requesting COMPUTERIZED BOOKEEPING VARIANCE

§ 478.22 Alternate methods or procedures; emergency variations from requirements (continued).

(b) ***Emergency variations from requirements.*** The Director may approve a method of operation other than as specified in this part, where it is found that an emergency exists and the proposed variation from the specified requirements are necessary and the proposed variations

- (1) will not hinder the effective administration of this part, and
- (2) will not be contrary to any provisions of law. Variations from requirements granted under this paragraph are conditioned on compliance with the procedures, conditions, and limitations set forth in the approval of the application. Failure to comply in good faith with the procedures, conditions, and limitations shall automatically terminate the authority for the variations, and the licensee shall fully comply with the prescribed requirements of regulations from which the variations were authorized. Authority for any variation may be withdrawn whenever, in the judgment of the Director, the effective administration of this part is hindered by the continuation of the variation. Where the licensee desires to employ an emergency variation, a written application shall be submitted to the appropriate Director of Industry Operations for transmittal to the Director. The application shall describe the proposed variation and set forth the reasons for it. Variations may not be employed until the application is approved.

(c) ***Retention of approved variations.*** The licensee shall retain, as part of the licensee's records, available for examination by ATF officers, any application approved by the Director under this section.

* Proceed to next page to obtain contact information for your local ATF Director of Industry Operations

Back to Previous Page

Advance to Next Page

Importers - Record Keeping Requirements

FIELD DIVISION LOCATIONS for SUBMITTING REQUESTS

ATF FIELD DIVISION MAP



**Refer to the Map to determine the ATF Field Division in which you are located.
In the Table below, click on the appropriate Division to obtain contact information for your local
ATF Director of Industry Operations (DIO)*

ATF FIELD DIVISION OFFICES*

Atlanta	Houston	Philadelphia
Baltimore	Kansas City	Phoenix
Boston	Los Angeles	San Francisco
Charlotte	Louisville	Seattle
Chicago	Miami	St. Paul
Columbus	Nashville	Tampa
Dallas	New Orleans	Washington
Detroit	New York	

[Back to Previous Page](#)

[Return to Guidebook](#)

Importers - Record Keeping Requirements

■ **IMPORTER'S FIREARMS ACQUISITION RECORD**

A licensed importer is required to record the **type, model, caliber or gauge, manufacturer, serial number, country of manufacture and the date of importation or acquisition**, of each firearm imported or otherwise acquired within **15 days** of the importation or acquisition.

■ **IMPORTER'S FIREARMS DISPOSITION RECORD**

A record of firearms disposed of by a licensed importer, to another licensee and a separate record of armor piercing ammunition dispositions to governmental entities for exportation, testing, or experimentation authorized under the provisions of **27 CFR § 478.149** shall be maintained by the licensed importer on the licensed premises.

In reference to firearms, the record shall show the **quantity, type, manufacturer, country of manufacture, caliber or gauge, model, serial number, name and license number of licensee** to whom the firearm was transferred, and the date of the transaction. For armor piercing ammunition, the record shall show **the date, manufacturer, caliber or gauge, the quantity of projectiles, and the name and address of the purchaser**.

Information required by **27 CFR § 478.122** must be entered in the proper record book **no later than the seventh day following the date of the transaction**.

The record of acquisition and disposition should mirror the following format:

Importer's Firearms Disposition Records

Quantity	Type	Manufacturer	Country of Manufacture	Caliber or Gauge	Model	Serial Number	Name & License No. of Transferee	Date of the Transaction
----------	------	--------------	------------------------	------------------	-------	---------------	----------------------------------	-------------------------

Importer's Armor Piercing Ammunition Disposition Records

Date	Manufacturer	Caliber or Gauge	Quantity of Projectiles	Name & Address of Purchaser
------	--------------	------------------	-------------------------	-----------------------------

NOTE: Additional Record Keeping Regulations and Requirements are noted on the following page.

Importers - Record Keeping Requirements

■ IMPORTER'S FIREARMS DISPOSITION RECORD (continued)

Per **27 CFR § 478.122(d)**, each **licensed importer shall maintain separate records of the sales or dispositions made of firearms to nonlicensees**. Such records shall be maintained in the form and manner as prescribed by **27 CFR § 478.124** and **§ 478.125** in regard to firearms transaction records and records of acquisition and disposition of firearms. This includes the completion of **ATF F 4473** and applicable background checks. **Importers are required to maintain premanent records of importation, manufacture, or other acquisition of firearms**. Unlike records of sale or other disposition, **records of acquisitions may not be discarded after 20 years**.

- All records pertaining to the sale or disposition of firearms **after December 15, 1968 and Forms 6 and 6A** are required to be maintained for 20 years. (**27 CFR § 478.124(d)**).
- Firearms that are returned to foreign sellers **need to be recorded in the licensee's disposition record**. An export license from the **State Department's Office of Defense Trade Controls** or the **Commerce Department** (sporting shotguns only) may be needed. A copy of any export licenses should be maintained with the required records.
- Importers acquiring and disposing of **NFA weapons** must complete and submit all required transfer forms, including **Forms 2, 3, 5 and 9**. Questions regarding NFA transfers should be directed to the **NFA Branch** at 202-927-8330 or www.atf.gov.

The image shows a stack of ATF forms. A large red watermark is overlaid on the forms, reading "These forms are currently being revised by NFA". To the right of the forms, there are four green arrows pointing left, each labeled with a form number and "Downloadable Form":

- FORM 2 Downloadable Form
- FORM 3 Downloadable Form
- FORM 5 Downloadable Form
- FORM 9 Downloadable Form

Arms Export Control Act of 1976 - 22 U.S.C. § 2778

The United States Munitions Import List

With respect to **Section 38 of the Arms Export Control Act of 1976 (AECA)**, **only** the importation provisions are administered by **ATF**. Export and temporary import provisions are administered by the **Department of State**. Importation regulations issued under this law are in **Part 447 (formerly Part 47) of 27 CFR** and are included in the **Federal Firearms Regulations Reference Guide (ATF P 5300.4)**. See **Part 447 (formerly Part 47)** of that publication.

The **United States Munitions Import List (USMIL)** is compiled in conjunction with **Department of State, Office of Defense Trade Controls (ODTC)** and enumerates defense articles and defines defense services that may be imported into the United States under the provisions the **AECA of 1976, administered by ATF**.

Articles on the **U.S. Munitions Import List** also include items in a partially completed state (**such as forgings, castings, extrusions, and machined bodies**) that have reached a stage in manufacture where they have been clearly identified as defense articles.

Anyone engaged in the business of **importing** articles on the **U.S. Munitions Import List** for resale **must register with ATF as an importer** under the AECA using **ATF Form 4587** and pay the prescribed fee.

Any person engaged in the business of **importing** firearms or ammunition as defined in **18 U.S.C. § 921(a)(3)** **must obtain a license** under the provisions of **27 CFR Part 478**, and if he/she imports firearms which fall within the definition of **26 U.S.C. 5845(a)** must also register and pay special tax pursuant to the provisions of **27 CFR Part 479**. Such licensing, registration and special tax requirements are in addition to registration under the **AECA**.

All of those items on the U.S. Munitions Import List, which are "**firearms**" or "**ammunition**" as defined in **18 U.S.C. § 921(a)** are subject to the **interstate and foreign commerce controls** contained in **Chapter 44 of Title 18 U.S.C.** and **27 CFR Part 478** and if they are "**firearms**" within the definition set out in **26 U.S.C. § 5845(a)** are also subject to the provisions of **27 CFR Part 479**.

■ IMPORTATION OF FIREARM PARTS AND MUNITIONS ARTICLES

Generally certain magazines, belts, drums, feed strips, or similar devices (*having a capacity of, or that can be readily restored or converted to accept, more than 10 rounds of ammunition*) may be imported **only** for government use or testing or experimentation authorized by the Attorney General (this restriction does not apply to an attached tubular magazine designed to accept, and capable of operating only with .22 caliber rimfire ammunition). (see **18 U.S.C. 922(w)**).

Firearm parts (other than parts for sporting shotguns), gas masks and other articles enumerated in the **U.S. Munitions Import List, 27 CFR § 447.21** require an import permit **ATF Form 6 (part 1)**.

GuideBook Link to USMIL

InterNet Link to USMIL

<http://ecfrback.access.gpo.gov/otgov/cfr/offliner.cgi...>

Arms Export Control Act of 1976 - 22 U.S.C. § 2778

■ **IMPORTER REGISTRATION (continued)**

Persons engaged in the business of **importing** articles on the **U.S. Munitions Import List** for resale are required to register with the **Bureau of Alcohol, Tobacco, Firearms and Explosives** in accordance with the **Arms Export Control Act of 1976**.

You may apply for registration by completing **ATF Form 4587, Application to Register as an Importer of U.S Munitions Import List Articles**, **in duplicate**, and enclosing your check made payable to the Bureau of Alcohol, Tobacco and Firearms and Explosives.

Importer Registration Fee Schedule

\$250	1 year
\$500	2 years
\$700	3 years
\$850	4 years
\$1000	5 years

The completed application Form 4587 and check must be mailed directly to:

**Bureau of Alcohol, Tobacco, Firearms and Explosives
P.O. Box 73198
Chicago, IL 60673**

OMB No. 1512-0021 (11/30/2000)

DEPARTMENT OF THE TREASURY BUREAU OF ALCOHOL, TOBACCO AND FIREARMS APPLICATION TO REGISTER AS AN IMPORTER OF U.S. MUNITIONS IMPORT LIST ARTICLES (SECTION 38, ARMS EXPORT CONTROL ACT OF 1976) <i>(See instruction on reverse)</i>		FOR ATF USE ONLY REGISTRATION NUMBER EXPIRATION DATE	
To: Director, Bureau of Alcohol, Tobacco and Firearms, Attention: Firearms and Explosives Imports Branch, Washington, D.C. 20226. The undersigned hereby makes application to register as an importer of U.S. Munitions Import List articles are required by Section 38, Arms Export Control Act of 1976.			
1. NAME AND ADDRESS <i>(Includes ZIP Code)</i>		2. TELEPHONE NO. <i>(Area Code)</i>	3. CURRENT A.E.C.A. REGISTRATION NO.
4. REQUEST TO REGISTER FOR: <i>(Check one, enclose check or money order for payment of fee indicated. See instruction 3.)</i> <input type="checkbox"/> 1 YEAR - FEE IS\$250.00 <input type="checkbox"/> 2 YEARS - FEE IS\$500.00 <input type="checkbox"/> 3 YEARS - FEE IS\$700.00 <input type="checkbox"/> 4 YEARS - FEE IS\$850.00 <input type="checkbox"/> 5 YEARS - FEE IS\$1,000.00			
5. APPLICANT IS: <i>(Check one)</i> <input type="checkbox"/> INDIVIDUAL <input type="checkbox"/> PARTNERSHIP <input type="checkbox"/> CORPORATION <input type="checkbox"/> OTHER <i>(Specify)</i>			
6. DATE AND PLACE OF INCORPORATION OR COMMENCEMENT OF BUSINESS			
7. FEDERAL FIREARMS LICENSE <i>(If any)</i> LICENSE NUMBER CLASS OF LICENSE EXPIRATION DATE		8. SPECIAL (OCCUPATIONAL) TAX STAMP <i>(If any)</i> STAMP NUMBER CLASS	

NOTE: Once ATF has received and processed your application, one copy of the completed form will be returned to you with your **registration number**. You may then start submitting **ATF Form 6s (including your registration number entered on line 12)** to the **Firearms, Imports and Explosives Branch** for the commodities you intend to import.

Types of Forms

■ APPLICATIONS

To obtain approval of submitted applications, the items to be imported must be correctly and completely identified on the **ATF Form 6**. In the case of new or unusual firearms, photographs and drawings of all markings should be submitted with the permit. **It is strongly recommended** that persons wishing to import firearms, ammunition, and defense articles, first determine if the items are importable and then obtain an approved **ATF Form 6**, **before acquiring the items abroad or attempting to bring them into the United States.**

FORM 6

Application and Permit for Importation of Firearms, Ammunition and Implements of War

This is the form generally needed to import defense articles into the United States.

NOTE: *It typically takes FEIB personnel four-to-six weeks to process a properly executed ATF Form 6 import permit application.*

PROCESSING ATF FORM 6 PART I

To assist us in the processing of your forms in a timely manner, we ask that you ensure the following:

- The form is fully completed, using the most current edition (2/02) and contains **accurate and complete information**. If the form is missing information or **does not** contain the required supporting documentation, it will be **disapproved and returned** to you, along with a letter stating the reason(s) for disapproval. If the information on the form is not legible, it may cause a delay in processing.
- **Item 1** contains your complete and valid 15-digit Federal firearms license number and your expiration date. The **9th digit** of your FFL number indicates the year your license expires, and the **10th character** indicates the month. **A=Jan, B=Feb, C=Mar, D=APR, E=May, F=June, G=Jul, H=Aug, J=Sept, K=Oct, L=Nov, and N=Dec.** The expiration date also appears on the face of your license.
- **Item 2** contains your business telephone number. You may also provide a business FAX number. Please note "**B**" next to your business telephone number and "**F**" next to your fax number.
- **Item 3** notes the name of the country from where the firearm is being exported. Pursuant to **27 CFR § 447.52**, ATF is precluded from approving applications to import articles that were manufactured in, or are being exported from, a "**proscribed country**". To access and view a list of the proscribed countries, click on the link above.
- **Item 4** lists the name and address of your Customs Broker, if you are using one. If you would like the **F6** to be returned to the broker, indicate by checking the box in the bottom of this section.

PROCESSING ATF FORM 6 PART I continued on next page

Types of Forms

■ PROCESSING ATF FORM 6 PART I (continued)

- **Item 5** contains your name and address, not the name and address of the person you may be importing the articles on behalf of. *If you use your own tracking number, please enter it at the bottom of Item 5.*
- **Item 6** notes the **foreign seller's name and address.**
- **Item 7** notes the **foreign shipper's name and address.** *If this information is identical to the information in item 6, you may note the words "See item 6."*
- **Item 8a** notes the name, address, and the country in which the firearm was manufactured. This section needs at minimum the full name and country of the manufacturer. Pursuant to **27 CFR § 447.52**, be advised that **ATF** is precluded from approving applications to import articles that were manufactured in, or being exported from a proscribed country.
- **Item 8b** notes only the following acronyms: **SG=shotgun, RI=rifle; PI=pistol; RE=revolver.** Any information you can provide to further identify articles may be noted in item **8b**. For example, if you know the firearm is a semiautomatic assault weapon (SAW), non-sporting weapon, or NFA weapon, you may note this information separately, directly under columns item **8b-d**, after you have described the articles in items **d 8a-k**. Also, if you are importing **frames or receivers**, indicate this in the same area. If you enter items on a **separate attached sheet**, put the total quantity of all articles applied for on the front of the application in item **8d**. Please ensure all required information in item 8 is included on attachments. Copies of invoices or catalogs may not contain sufficient information for ATF to determine if your articles are importable.
- **Items 8c-k** notes further description about the article, such as **caliber/gauge, quantity, unit cost, US MIL Category, model designation, barrel and overall lengths, serial number**, and if the condition of the articles (**N=new** and **U=used**). The US MIL Category pertains to the articles enumerated under **27 CFR § 447.21** as outlined in our **ATF Publication 5300.4**. *For example, firearms and firearms components are **Category I**, and ammunition is **Category III**.*
- **Either item 9a or b** must be checked. Please understand that item **9b** pertains to **U.S. military defense articles, not commercially manufactured goods.** If the U.S. military defense articles "contain U.S. manufactured parts or components and/or foreign manufactured parts or components that were manufactured with U.S. technical data or assistance," you must first obtain written retransfer authorization from the **Department of State, Office of Regional Security and Arms Transfer Policy, (202) 647-9750**. The authorization must be attached to the **completed Form 6**. **ATF** will disapprove your application if the retransfer authorization is not attached.

Click Here to view
Sample Response Form

PROCESSING ATF FORM 6 PART I continued on next page

Types of Forms

■ PROCESSING ATF FORM 6 PART I (*continued*)

- **Item 10** must ALWAYS list a specific purpose of importation, such as **resale, gun show, personal use, on behalf of an individual, entry or removal from a CBW or FTZ, etc.** Please provide the name of the **special (occupational) taxpayer** and/or **law enforcement/government entities** ultimately demonstrating or receiving the imported articles. If you are importing on behalf of a non-licensee, include his or her name in this section.
- **Item 11** is checked “yes” or “no.” This item pertains to the **Arms Export Control Act of item 1976 (AECA)**. If you completed the **ATF Form 4587, Application to Register as an Importer of U.S. Munitions Import List Articles (USMIL)**, and paid \$250-\$1000 to become a registered importer, **you must check “yes”**, even if the item(s) you are applying for do not fall under the AECA.
- **Item 12** notes your **10-digit AECA number** which was issued by the **Firearms and Explosives Imports Branch (FEIB)** when you completed **Form 4587**. SAMPLE number **A-01-234-5678**.
- **Item 13** bears your **original** signature.
- **Item 14** notes your title, such as **Importer, CEO, or President**.
- **Item 15** is the **date** the person in item 13 signed the form.
- The **detachable perforated strip** located at the top of the triplicate **Form 6** is completely removed.
- **All carbon sheets are completely removed**, if located inside the original **Form 6** import permit application.
- **Three (triplicate) copies** of any supporting documentation pertaining to the application are submitted, which includes faxed copies. The supporting documentation **must be attached** to each copy of the **Form 6**.
- Any separate sheets you prepare and attach to the completed **Forms 6**, listing articles you wish to import coincide with the format (**items 8a-k**) on the face of the form. You **must submit three copies** of these attachment sheets, attached to each copy of the **Form 6**.

PROCESSING ATF FORM 6 PART I continued on next page

Types of Forms

■ PROCESSING ATF FORM 6 PART I *(continued)*

- Supporting documentation lists only those articles listed on the completed **Form 6**, and those articles are identical and distinctly identified by the **manufacturer's name** and **address, type, caliber/gauge, model designation, and serial number(s)** if known.
- Our **four-to-six weeks processing period** begins the day we receive your application. Please try to wait until that period expires before contacting **FEIB** to inquire about the receipt or the processing status of your **Forms 6**, as it interrupts and delays the processing of your applications.
- **Forms 6** are processed on a “first-come, first-serve” basis. Any **Form 6** resubmitted because your initial permit has or will soon expire, will be considered a newly received **Form 6**. **27 CFR § 447.43**, states that **Form 6** import permit applications are valid for **one year** from their issuance date. Please ensure that your applications are submitted with sufficient lead time to avoid your current permit from expiring. Also remember that only the articles which are listed on the approved permit are to be imported within that year.
- Firearms returned to the United States **for repair, replacement, or customizing and subsequent export** should be imported with a temporary import license issued by the

**U.S. State Department
Office of Defense Trade Controls
PM/DTC, Room 1304, SA-1
Washington, DC 20037
(202) 663-2714.**

Types of Forms

■ PROCESSING ATF FORM 6A

ATF F 6A, Release and Receipt of Imported Firearms, Ammunition and Implements of war is used to release firearms, firearms parts, ammunition and other defense articles to you from U.S. Customs and Border Protection officials.

As **Federal firearms licensed (FFL's - Types "08" or "11") importers**, the below will provide you with the information and process needed to ensure U.S. Customs and Border Protection officials release your imported articles to you.

- Once your **ATF Form 6** is completed, submitted, and processed by **FEIB**, it will be returned to you along with two blank **ATF Forms 6A**. You **must** fully complete **Section I** of the **ATF Form 6A**.
- **27 CFR § 447.45(a)** and **27 CFR § 478.112(c)** imposes an **additional requirement** on all registered and Federal firearms licensed (FFLs -Types "08" or "11") importers. In addition to the **ATF Forms 6** and **6A** already required to obtain the release of firearms, firearms parts, or ammunition, you must also present to U.S. Customs and Border Protection officials a copy of the **export license** authorizing the export of the articles from the exporting country. If the exporting country does not require the issuance of an export license, you instead must present a **certification, signed by you under penalties of perjury**, attesting to that effect.
- Customs **may** conduct a **physical examination** of the articles, to ensure the articles imported coincide with the processed **Forms 6** and completed **6A**.
- Customs **will** complete **Section II** if they are satisfied that the shipment of firearm(s), ammunition or implements of war was authorized by **ATF**. The Customs official should return the **Form 6** to the you and send the **Form 6A**, with Section II completed, to **FEIB**.
- **Within 15 days** after the articles have been released by **Customs**, including release from a **CBW** or **FTZ** the importer must complete the marking requirements of **27 CFR § 478.92** and **§ 479.102** and the record keeping requirements of **27 CFR § 478.122**.
- **Within that same 15 days**, **27 CFR § 478.112** provides that each importer must complete **Section III** of the **ATF Form 6A** and **forward to the FEIB**. Your original signature must be placed in **item 19**.

Types of Forms

■ PERMIT APPLICATION TRACKING SYSTEM

One tracking method employed by importers involves the placement of a unique control/reference number typed by the importer on the permit applications they submit. **ATF would encourage the use of unique reference numbers by importers. It is suggested that the reference number (composed of no more than 8 characters) appear in item five on the ATF Form 6 application.** Our database will allow us to capture these unique numbers as a key field, and allows us to search for a given application using your unique number.

■ FORMS REQUIRED FOR IMPORTATION

● **ATF Form 6- Part I**

White - Generally Used by Licensees and Non-licensees

- In most cases, firearms, firearm component parts, ammunition; and certain military equipment cannot be released by Customs and imported into the U.S. without a permit (**ATF Form 6 (part I)**) approved by ATF.
- Restrictions apply to the various types of firearms and ammunition, the type of importer, the country of origin and the purpose of importation.
- Many types of firearms and ammunition which are lawful to possess in the United States cannot be approved for importation.

[Link to FORM 6 Part I](#)

Downloadable Form

● **ATF Form 6- Part II**

Blue - Used by Members of the U.S. Armed Forces on active duty outside of the US.

- U. S. Military personnel must have been on Temporary Duty (TDY) or have been on active duty outside of the U.S. within 60 days preceding the intended importation.
 - The firearm or ammunition must be suitable for sporting purposes.
 - The firearm or ammunition must be intended for personal use, not for resale.
- Note:* Military members must complete the **Form 6 Part I** to import implements of war, such as firearms components parts.

[Link to FORM 6 Part II](#)

Downloadable Form

● **ATF Form 6A**

Green - This form must be completed to effect the release of articles from Customs.

- Licensed importers **must submit in duplicate** to Customs
- Non-licensed importer **submit single copy** to Customs
- Customs completes and signs **Section II** and returns form to **ATF**
- Licensed importer must complete **Section III** within 15 days of release by Customs and return form to **ATF**

[Link to FORM 6A](#)

Downloadable Form

● **ATF Form 6NIA**

White - New form (2/03) used by nonimmigrant aliens for temporary importation.

- Form **must be submitted with** a valid hunting license from any US state or an invitation/registration for a competitive shooting event or sports/hunting trade show.
- Permit is **valid for one year** from approval date. Nonimmigrant aliens may enter U.S. multiple times as long as permit and hunting license or invitation/registration are valid. **Only firearms, ammunitions, and other articles approved on the Form 6 NIA may be imported.**

[Link to FORM 6 NIA](#)

Downloadable Form

Types of Forms

ATF FORMS - Required to import defense articles into the United States for commercial resale and distribution

YOU MAY IMPORT:	ATF FORM 7- to become a Federal Firearms Licensee	ATF FORM 4587- resale as a registered importer under the AECA	ATF FORM 5530.7 (SOT) import/mfg/deal in NFA Weapons	<u>ATF FORM 6 needed to import articles into the United States</u>
Implements of War* (see explanation)		✓		✓
ONLY Sporting Shotguns and Sporting Shotgun Ammo	✓ Type "08" Licensed Importer			✓
All Defense Articles, EXCLUDING National Firearms Act Weapons & Destructive Devices	✓ Type "08" Licensed Importer	✓		✓
Defense Articles, Classified as National Firearms Act Weapons EXCLUDING Destructive Devices	✓ Type "08" Licensed Importer	✓	✓ To become a Class I Special (Occupational) Taxpayer	✓
Defense Articles, Classified as National Firearms Act Weapons INCLUDING Destructive Devices	✓ Type "11" Licensed Importer	✓	✓ To become a Class I Special (Occupational) Taxpayer	✓

* **Implements of war** such as firearms component parts (excluding frames, receivers, and actions [firearms without stock]), gas masks, military vehicles, and aircraft etc.

See next page for **IMPORT APPLICATION PROCESS - Required Forms**

Types of Forms

IMPORT APPLICATION PROCESS - Required Documentation

Types of Imported Defense Articles or Action	Initial Form 6	Second Form 6	Original Departmental Purchase Order	Original Law Enforcement Letter (original signature)	Penalty of Perjury Certification (original signature NOT needed)	Foreign Seller/Mfr/ Possessor (original signature ONLY needed for SMCR's)	State Dept. retransfer needed w/initial Form 6
Sporting	✓						
Nonsporting	✓		✓				
Large Capacity (mfg. before 9/13/94)	✓				✓	✓	
Large Capacity (mfg. after 9/13/94)	✓	Must be marked with the words "Restricted for Law enforcement and government use only."					
Surplus Military	✓		✓	OR	✓ *		
Surplus Military Curios or Relics	✓				✓	✓ Firearm's last 5-year History	
Dealer Sales Sample (including C/R Machineguns)	✓				✓ * * *		
NFA Weapons (including Machineguns)	✓		✓	OR	✓ *		
To be placed inside CBW/FTZ	✓	Parts EXCLUDING large capacity magazines, receivers, frames, actions (firearms without stocks), barrels for semiautomatic assault weapons and for NFA weapons and for non-sporting handguns need one Form 6 to place inside a CBW or FTZ. ATF DOES NOT require a second Form 6 for parts, but Customs MAY require a second Form 6.					
To be removed from CBW/FTZ		✓	✓	OR	✓ * * *		
U.S. Origin Military Goods	✓ Retransfer needed with Initial Form 6	Depending on the U.S. origin military goods being imported additional documentation including the above categories may be required along with the retransfer authorization.					✓

* The required **law enforcement** documentation must always include the specific imported firearm by type, caliber, and model designation, and a separate statement to confirm when articles are being **purchased for the individual officers official use with either departmental funds** or funds from individual officers who are required to pay in whole or in part for their equipment to carry out their official duties.

** The law enforcement document must include an additional justification statement establishing the machinegun is **particularly suitable for use as a law enforcement weapon**, if the machinegun is classified as a curio or relic.

Samples of Required Forms

Frequently encountered Forms include:

- **Customs Form 4455 - Resale as a registered importer under the AECA**
- **ATF Form 6 - Part I - Application & Permit for Importation of Firearms, Ammunition & IOW**
- **ATF Form 6 - Part II - Application & Permit for Importation of Firearms, Ammunition & IOW**
- **ATF Form 6A - Release & Receipt of Imported Firearms, Ammunition and/or Implements of War**
- **ATF Form 4587 - Application to Register as an Importer of U.S. Munitions Import List Articles**

[Link to FORM 4455](#)
Downloadable Form

[Link to FORM 6 Part I](#)
Downloadable Form

[Link to FORM 6 Part II](#)
Downloadable Form

[Link to FORM 6A](#)
Downloadable Form

[Link to FORM 4587](#)
Downloadable Form

OMB No. 1512-0021 (11/30/2000)

DEPARTMENT OF THE TREASURY BUREAU OF ALCOHOL, TOBACCO AND FIREARMS APPLICATION TO REGISTER AS AN IMPORTER OF U.S. MUNITIONS IMPORT LIST ARTICLES (SECTION 38, ARMS EXPORT CONTROL ACT OF 1976) <i>(See Instruction on reverse)</i>			FOR ATF USE ONLY REGISTRATION NUMBER EXPIRATION DATE	
To: Director, Bureau of Alcohol, Tobacco and Firearms, Attention: Firearms and Explosives Imports Branch, Washington, D.C. 20226. The undersigned hereby makes application to register as an importer of U.S. Munitions Import List articles as required by Section 38, Arms Export Control Act of 1976.				
1. NAME AND ADDRESS (Includes ZIP Code)		2. TELEPHONE NO. (Area Code)	3. CURRENT A.E.C.A. REGISTRATION NO.	
4. REQUEST TO REGISTER FOR: (Check one, enclose check or money order for payment of fee indicated. See Instruction 3.) <input type="checkbox"/> 1 YEAR - FEE IS \$250.00 <input type="checkbox"/> 2 YEARS - FEE IS \$500.00 <input type="checkbox"/> 3 YEARS - FEE IS \$700.00 <input type="checkbox"/> 4 YEARS - FEE IS \$850.00 <input type="checkbox"/> 5 YEARS - FEE IS \$1,000.00				
5. APPLICANT IS: (Check one) <input type="checkbox"/> INDIVIDUAL <input type="checkbox"/> PARTNERSHIP <input type="checkbox"/> CORPORATION <input type="checkbox"/> OTHER (Specify) _____				
6. DATE AND PLACE OF INCORPORATION OR COMMENCEMENT OF BUSINESS				
7. FEDERAL FIREARMS LICENSE (If any)			8. SPECIAL (OCCUPATIONAL) TAX STAMP (If any)	
LICENSE NUMBER	CLASS OF LICENSE	EXPIRATION DATE	STAMP NUMBER	CLASS
9. LIST BELOW THE INFORMATION REQUIRED FOR EACH INDIVIDUAL OWNER, PARTNER, AND PRINCIPAL CORPORATE OFFICER IN THE APPLICANT BUSINESS. IF A FEMALE, LIST GIVEN NAMES AND MAIDEN, IF MARRIED, e.g., "MARY ALICE (SMITH) JONES, JONES", NOT "MRS. JOHN JONES." (If additional space is needed use a separate sheet).				
FULL NAME	POSITION AND SOC. SEC. NO.	HOME ADDRESS (Include ZIP Code)	PLACE OF BIRTH	DATE OF BIRTH
10. DESCRIBE SPECIFIC ACTIVITY APPLICANT IS ENGAGED IN, OR INTENDS TO ENGAGE IN, WHICH REQUIRES REGISTRATION UNDER THE ARMS EXPORT CONTROL ACT				
11. UNITED STATES MUNITIONS IMPORT LIST ARTICLES USUALLY IMPORTED (Specify categories)				
12. PURPOSE OF IMPORTING MUNITIONS IMPORT LIST ARTICLES			13. WHAT PERCENTAGE IS IMPORTED FOR U.S. GOVERNMENT	
I declare under the penalties provided by law that this request for registration as an importer of U.S. Munitions Import List articles, including the documents submitted in support of it, has been examined by me and, to the best of my knowledge and belief, it is true, correct & complete.				
14. SIGNATURE (Sign all copies in ink. See instruction 2)		15. TITLE	16. DATE	
17. SIGNATURE OF DIRECTOR, BUREAU OF ALCOHOL, TOBACCO AND FIREARMS			18. DATE	

ATF F 4587 (5330.4) (7-91) PREVIOUS EDITIONS ARE OBSOLETE

Samples of Required Forms - Listed alphanumerically

- | | | |
|--|---|---|
| <ul style="list-style-type: none"> ● AT F 4473 PT. I (5300.9) ● ATF F 4473 PT. I (SV) (5300.9) ● ATF F 4473 PT. II (5300.9) ● ATF F 4590 ● ATF F 5013.3 (eForm6 Request) ● ATF F 5300.11 ● ATF F 5300.11a ● ATF F 5300.26 ● ATF F 5300.27 ● ATF F 5300.28 ● ATF F 5300.38 ● ATF F 5300.42 ● ATF F 5310.12 (Form 7) ● ATF F 5310.16 (Form 7CR) ● ATF F 5320.1 (Form 1) ● ATF F 5320.2 (Form 2) ● ATF F 5320.3 (Form 3) ● ATF F 5320.4 (Form 4) ● ATF F 5320.5 (Form 5) ● ATF F 5320.9 (Form 9) ● ATF F 5320.10 (Form 10) ● ATF F 5320.20 ● ATF F 5330.3A (Form 6 Part I) ● ATF F 5330.3B (Form 6 Part II) ● ATF F 5330.3D (Form 6 NIA) ● ATF F 5330.4 (4587) ● ATF F 5330.20 ● ATF F 5400.4 ● ATF F 5400.5 ● ATF F 5400.8 ● ATF F 5400.13 ● ATF F 5400.21 ● ATF F 5400.28 ● ATF F 5400.29 | <ul style="list-style-type: none"> ● CF 19 ● CF 26 ● CF 28 ● CF 178 ● CF 214A ● CF 214B ● CF 214C ● CF 216 ● CF 226 ● CF 247 ● CF 300 ● CF 301 ● CF 339A ● CF 339C ● CF 339V ● CF 349 ● CF 350 ● CF 400 ● CF 442 ● CF 446 ● CF 449 ● CF 450 ● CF 1300 ● CF 1302 ● CF 1302A ● CF 1303 ● CF 1304 ● CF 1400 ● CF 1401 ● CF 3078 ● CF 3124 ● CF 3124E | <ul style="list-style-type: none"> ● CF 3171 ● CF 3173 ● CF 3229 ● CF 3299 ● CF 3311 ● CF 3347 ● CF 3347a ● CF 3461 ● CF 3485 ● CF 3495 ● CF 3499 ● CF 4315 ● CF 4455 ● CF 4457 ● CF 4609 ● CF 4790 ● CF 5106 ● CF 5125 ● CF 5523 ● CF 7507 ● CF 7509 ● CF 7512 ● CF 7512A ● CF 7512B ● CF 7514 ● CF 7523 ● CF 7533 ● CF 7551 ● CF 7552 ● CF 7553 ● FBI FD-258 ● SS-4 |
|--|---|---|

NOTE: Click on the desired Form Reference Number to access electronic documentation in PDF format. For your convenience, additional links are provided when online access is available.

ATF Online Forms
<http://www.atf.gov/forms/index.htm>

U.S. Customs Forms
<http://www.customs.gov/sp/cgov/toolbox/forms>

ATF Form 6 Parts I, II, 6 NIA & 6A Exemptions

Generally the Form 6 Part I is needed to import firearms, ammunition and implements of war into the United States. However, the following list includes several noted exceptions to this requirement.

NOTE: Such exceptions DO NOT always apply to NFA weapons.

Exemptions from ATF Form 6 Part I, II, 6NIA & 6A:

1. **Any antique firearm**, as that term is defined in the GCA and the NFA.
NOTE: You may need to supply proof to Customs to establish that a certain firearm, which is not marked as being manufactured in or before 1898 is an antique firearm as defined in Federal law.
2. **Sporting firearms and ammunition may be imported** by military personnel using **ATF Form 6 Part II, Importation of Firearms by Members of the Armed Forces**, along with **Form 6A**. Generally, **not more than 2** firearms of the same model type and caliber are permitted.
3. **Sporting firearms and ammunition brought in temporarily for lawful hunting and sporting purposes by nonimmigrant aliens.** The individual must have a **valid hunting license or permit issued by a State within the U.S. or an invitation from, or registration to, a shooting event sponsored by a national, State, or local firearms organization devoted to the collection, competitive use, or other sporting use of firearms.** The firearm and any remaining ammunition must be taken out of the U.S. at the conclusion of the shooting activity. An **import permit, ATF F 6NIA, must be submitted** by these individuals. This form is good for 12 months after approval and may be used for multiple importations during those 12 months. ***NOTE:*** This is a new form, available 03/01/2003.
4. **Foreign military personnel on official assignment to the U.S.** who bring firearms or ammunition into the U.S. for their exclusive use while on official duty in the U.S. (*excluding NFA weapons, SAWs, LCAFDs*).
5. **Official representatives of foreign governments** who are accredited to the U.S. Government or are en route to or from other accredited countries (*excluding NFA weapons, SAWs, LCAFDs*).
6. **Officials of foreign governments and distinguished foreign visitors** who have been so designated by the Department of State (*excluding NFA weapons, SAWs, LCAFDs*).

(Exemptions continued on next page)

ATF Form 6 Parts I, II, 6NIA & 6A Exemptions *(continued)*

- 7. Foreign law enforcement officers of friendly foreign governments** entering the U.S. on official law enforcement business (*excluding NFA weapons*).
- 8. Sporting shotgun parts** other than firearm frames or receivers.
- 9. Air guns, pellet guns, starter guns and flare guns** provided they are not firearms as defined in **18 U.S.C. § 921(a)(3)** and do not have tear gas dissemination capability.
- 10. Accessories such as gun cases, slings, and cleaning kits.**
- 11. Minor components and parts for Category 1(a) firearms**, except barrels, cylinders, receivers (frames) or complete breech mechanisms, when the **total value does not exceed \$100 wholesale in any single transaction.** **27 CFR § 447.41(c)(2).**

Firearms Import Restriction Stamps

NOTIFICATION OF DISAPPROVAL and/or RESTRICTION

Stamps are affixed to **ATF Form 6 (Part 1 & Part II)** to state specific restrictions placed on permits. The restrictions are based on Federal law and/or ATF regulation. This Guidebook provides a searchable index for each stamp, its associated statute and/or regulation. If your permit is disapproved, it will be stamped **“DISAPPROVED”** and you will receive a separate letter outlining the reasons for disapproval.

OMB No. 1512-0017
FOR ATF USE ONLY

DEPARTMENT OF THE TREASURY
BUREAU OF ALCOHOL, TOBACCO AND FIREARMS
**APPLICATION AND PERMIT FOR IMPORTATION OF FIREARMS,
AMMUNITION AND IMPLEMENTS OF WAR**
NOT FOR USE BY MEMBERS OF THE UNITED STATES ARMED FORCES (Submit in triplicate)

PERMIT NO. 03-98765
VALID FOR 12 MONTHS AFTER THE DATE OF APPROVAL (ITEM 18 BELOW)

SECTION I - APPLICATION

1. FEDERAL FIREARMS LICENSE (if Any) 2. TELEPHONE NO. 3. COUNTRY OF EXPORTATION
3-54-321-32-45-6789 04-01-2005 (123) 456-7890 GERMANY

4. NAME AND ADDRESS OF BROKER, if any (including ZIP Code)
BIG BONANZA BROKER
BIG BUCKS BLVD.,
 Check here if permit is to be returned to broker.

5. APPLICANT'S NAME AND ADDRESS (including ZIP Code)
FIREARMS FOREVER
BIG BANG BLVD., YOUTOWN, XX 12345
 Check here if permit is to be returned to applicant.

6. NAME AND ADDRESS OF FOREIGN SELLER, if any
GUNS TO GO, INC.
BIG BORE BLVD.
ANYTOWN, OVERTHERE 98765

7. NAME AND ADDRESS OF FOREIGN SHIPPER
ONTIME SHIPPER, INC.
EARLY BIRD BLVD.
SOMEWHERE ELSE, OVERTHERE, 98765

8. DESCRIPTION OF FIREARMS AND AMMUNITION (For firearms, enter (SG) - Shotgun; (R) - Rifle; (PI) - Pistol; (RE) - Revolver)

	a	b	c	d	e	f	g	h	i	j	k
	NAME AND ADDRESS OF MANUFACTURER	TYPE (SG, (R), (PI), (RE))	CALIBER GAUGE OR SIZE	QUANTITY (Each type)	UNIT COST	UPPER CATEGORY	MODEL (Make and Design)	LENGTH OF BARREL (inches)	OVERALL LENGTH (inches)	SERIAL NO.	NEW (N) OR USED (U)
FIREARMS	GTG INC. BIG BORE BLVD. ANYTOWN, OVERTHERE 98765	(R)	7.62	1,000	85.00	XX	Sporter	22.5	39.25	see attachment	(U)
IMPLEMENTS OF WAR											
AMMUNITION		Ball Wad-cutter, Shot, etc.)									

9. CERTIFICATION OF ORIGIN. The items sought for importation in block 8:
a. Do not contain U.S. manufactured parts or components; and
 Do not contain foreign manufactured parts or components that were manufactured with U.S. technical data or assistance; or
b. Contain U.S. manufactured parts or components and/or foreign manufactured parts or components that were manufactured with U.S. technical data or assistance

10. SPECIFIC PURPOSE OF IMPORTATION (Use additional sheets, if necessary)
RESALE

11. ARE YOU REGISTERED PURSUANT TO THE ARMS EXPORT CONTROL ACT OF 1976 YES NO

12. IF "YES", GIVE ME REGISTRATION NO. AND EXPIRATION DATE
A-09-876-5432 04-01-2005

Under the penalties provided by law, I declare that I have explained this application, including the documents submitted in support of it, and, to the best of my knowledge and belief, it is true, correct, and complete.

13. SIGNATURE OF APPLICANT 14. TITLE CHAIRMAN OF THE BOARD 15. DATE 12-25-2000

SECTION II - FOR ATF USE ONLY (Please make no entries in this section)

16. THE APPLICATION HAS BEEN EXAMINED AND THE IMPORTATION OF THE FIREARMS, AMMUNITION, AND IMPLEMENTS OF WAR DESCRIBED HEREIN IS:
 APPROVED WITHDRAWN BY APPLICANT WITHOUT ACTION
 PARTIALLY APPROVED FOR THE REASON INDICATED HERE OR ON ATTACHED LETTER RETURNED WITHOUT ACTION FOR ADDITIONAL INFORMATION
 DISAPPROVED FOR THE REASON INDICATED HERE OR ON ATTACHED LETTER

17. SIGNATURE OF THE DIRECTOR, BUREAU OF ALCOHOL, TOBACCO AND FIREARMS 18. DATE 01-01-2001

ATF F 6 - PART I (5330.3A) (2-2002) PREVIOUS EDITIONS ARE OBSOLETE

SAMPLE STAMPS
Click Here to view Stamp Index & Sample Stamps

Licensed Importer - 18 U.S.C., Chapter 44, § 923(i) and Title 27 CFR § 478.92

1. SERIAL NUMBER

- Must be on the frame or receiver
- Importer cannot duplicate a serial number

2. NAME of the MANUFACTURER

3. COUNTRY of ORIGIN

4. MODEL

- (if assigned)

5. CALIBER or GAUGE

6. NAME of IMPORTER

7. CITY & STATE of the IMPORTER

These markings must appear conspicuously on the frame, receiver, barrel (or slide).

NOTE: The importer must ensure that these markings appear on each firearm. If the manufacturer has not affixed them, they must be placed on the firearm by the importer **within 15 days** after release by Customs. The Director may authorize other means of identification upon receipt of a letter of application from you, submitted in duplicate, showing that such other identification is reasonable and will not hinder the effective administration of the regulations

Overview of Firearms Marking Requirements 27 CFR § 478.92 (a) (1)

Each licensed manufacturer or *licensed importer* of any firearm manufactured or imported shall legibly identify each such firearm by engraving, casting, stamping (impressing), or otherwise conspicuously placing or causing to be engraved, cast, stamped (impressed) or placed on the frame or receiver thereof in a manner not susceptible of being readily obliterated, altered, or removed, an individual serial number not duplicating any serial number placed by the manufacturer or importer on any other firearm, and by engraving, casting, stamping (impressing), or otherwise conspicuously placing or causing to be engraved, cast, stamped (impressed) or placed on the frame, receiver, or barrel thereof in a manner not susceptible of being readily obliterated, altered or removed, the model, if such designation has been made; the caliber or gauge; the name (or recognized abbreviation of same) of the manufacturer and also, when applicable, of the importer; in the case of a domestically made firearm, the city and State (or recognized abbreviation thereof) wherein the licensed manufacturer maintains its place of business; and in the case of an imported firearm, the name of the country in which manufactured and the city and State (or recognized abbreviation thereof) of the importer. For firearms manufactured or imported on or after January 30, 2002, the engraving, casting, or stamping (impressing) of the serial number (as previously defined in this section) must be to a minimum depth of .003 inch and in a print size no smaller than 1/16 inch; and the engraving, casting, or stamping (impressing) of additional required information (as previously defined in this section) must be to a minimum depth of .003 inch.

(see associated regulations on next page)

Identification of Firearms

MARKING REQUIREMENTS ON FIREARMS - Title 27 CFR

Sec. 478.92 How must licensed manufacturers and licensed importers identify firearms, armor piercing ammunition, and large capacity ammunition feeding devices?

(a)(1) **Firearms.** You, as a licensed manufacturer or licensed importer of firearms, must legibly identify each firearm manufactured or imported as follows:

(i) **By engraving, casting, stamping** (impressing), or otherwise conspicuously placing or causing to be engraved, cast, stamped (impressed) or placed on the frame or receiver thereof an individual serial number. The serial number must be placed in a manner not susceptible of being readily obliterated, altered, or removed, and must not duplicate any serial number placed by you on any other firearm. For firearms manufactured or imported on and after *January 30, 2002*, the engraving, casting, or stamping (impressing) of the serial number must be to a *minimum depth of .003 inch* and in a *print size no smaller than 1/16 inch*; and

(ii) **By engraving, casting, stamping** (impressing), or otherwise conspicuously placing or causing to be engraved, cast, stamped (impressed) or placed on the frame, receiver, or barrel thereof certain additional information. This information must be placed in a manner not susceptible of being readily obliterated, altered, or removed. For firearms manufactured or imported on and after *January 30, 2002*, the engraving, casting, or stamping (impressing) of this information must be to a *minimum depth of .003 inch*. The additional information includes:

- (A) The model, if such designation has been made;
- (B) The caliber or gauge;
- (C) Your name (or recognized abbreviation) and also, when applicable, the name of the foreign manufacturer;
- (D) In the case of a domestically made firearm, the city and State (or recognized abbreviation thereof) where you as the manufacturer maintain your place of business; and
- (E) In the case of an imported firearm, the name of the country in which it was manufactured and the city and State (or recognized abbreviation thereof) where you as the importer maintain your place of business.

For additional requirements relating to imported firearms, see *Customs regulations at 19 CFR part 134*.

(2) **Firearm frames or receivers.** A firearm frame or receiver that is not a component part of a complete weapon at the time it is sold, shipped, or otherwise disposed of by you must be identified as required by this section.

(3) **Special markings for semiautomatic assault weapons**, effective *July 5, 1995*. In the case of any semiautomatic assault weapon manufactured after *September 13, 1994*, you must mark the frame or receiver "**RESTRICTED LAW ENFORCEMENT/GOVERNMENT USE ONLY**" or, in the case of weapons manufactured for export, "**FOR EXPORT ONLY**," in a manner not susceptible of being readily obliterated, altered, or removed. For weapons manufactured or imported on and after *January 30, 2002*, the engraving, casting, or stamping (impressing) of the special markings prescribed in this paragraph (a)(3) must be to a *minimum depth of .003 inch*.

(4) **Exceptions.**

(i) **Alternate means of identification.** The Director may authorize other means of identification upon receipt of a letter application from you, submitted in duplicate, showing that such other identification is reasonable and will not hinder the effective administration of this part.

(ii) **Destructive devices.** In the case of a destructive device, the Director may authorize other means of identifying that weapon upon receipt of a letter application from you, submitted in duplicate, showing that engraving, casting, or stamping (impressing) such a weapon would be dangerous or impracticable.

(iii) **Machine guns, silencers, and parts.** Any part defined as a machine gun, firearm muffler, or firearm silencer in *Sec. 178.11*, that is not a component part of a complete weapon at the time it is sold, shipped, or otherwise disposed of by you, must be identified as required by this section. The Director may authorize other means of identification of parts defined as machine guns other than frames or receivers and parts defined as mufflers or silencers upon receipt of a letter application from you, submitted in duplicate, showing that such other identification is reasonable and will not hinder the effective administration of this part.

(5) **Measurement of height and depth of markings.** The depth of all markings required by this section will be measured from the flat surface of the metal and not the peaks or ridges. The height of serial numbers required by paragraph (a)(1)(i) of this section will be measured as the distance between the latitudinal ends of the character impression bottoms (bases).

ATF Ruling

ATF Ruling 2002-6

The **Bureau of Alcohol, Tobacco and Firearms (ATF)** has been asked by State and local law enforcement officials to trace firearms that are marked, in part, with **non-Roman letters, and/or nonArabic numbers**. Specifically, ATF received a request to trace a **Makarov** type pistol made in **Bulgaria**. The original manufacturer marking was **ИМ18 355**. Because the importer did not stamp the firearm with a **unique identifier** that could be recognized by either **ATF** or a **State or local law enforcement official**, and because the marking contained a **Cyrillic** character, the firearm was not properly recorded, resulting in a failed trace of the weapon.

Because markings with **non-Roman characters or nonArabic numbers** are not easily recorded or transmitted through ordinary means by importers, dealers or distributors, many firearm traces have proved unsuccessful. In some cases, an importer attempts to translate portions of the markings into **Roman** letters and **Arabic** numbers and remarks the weapon with "**translated**" symbols. For example, an imported SKS rifle was marked with the serial number **ИМ7639И**. The importer translated the marking as **LM7639i** but rather than restamp the entire number merely added the letters "**L**" and "**i**" below the original markings. This practice often results in failed traces because those required to record the markings (**importers, dealers, or distributors**) may record only the translated portions or both sets of markings. Moreover, law enforcement recovering a firearm with such markings may submit a trace request lacking some portion of the markings, further impeding efforts to successfully trace the firearm.

In addition, ATF has found that some traces have failed because the **required markings** on the firearms barrel were **wholly or partially obstructed** from plain view by a flash suppressor or bayonet mount, resulting in the **Federal Firearms Licensee** creating an inaccurate record. ATF has been unable to trace hundreds of firearms as a result of nonstandard or obscured markings. As a result of these practices, some **licensed importers may not be** in compliance with the marking requirements set forth in **27 CFR 178.92** and **27 CFR 179.102** because they have marked using **non-Roman** letters (such as **Greek** or **Russian** letters, **Δ** or **И**) or **non-Arabic** numbers (e.g., **XXV**).

The above regulations **require markings that legibly identify** each item or package and require that such markings are conspicuous. ATF has consistently taken the position that "**legibly**" marked means using exclusively **Roman** letters (**A, a, B, b, C, c**, and so forth) and Arabic numerals (**1, 2, 3, 4, 5, 6**, and so forth), and "**conspicuous**" means that all required markings must be placed in such a manner as to be wholly unobstructed from plain view. These regulations apply to **licensed manufacturers** and **licensed importers** relative to firearms, armor piercing ammunition, and large capacity ammunition feeding devices, and to makers of National Firearms Act firearms.

ATF RULING 2002-6 continued on next page

ATF Ruling

ATF Ruling 2002-6 (continued)

Firearms, armor piercing ammunition, and large capacity ammunition feeding devices which contain required markings or labels using non-Roman letters (such as Greek or Russian letters, Δ or Π) or non-Arabic numbers (e.g., XXV), must be completely remarked or relabeled with a **new serial number** or **other required markings** that satisfy the legibility requirements described above. It is **not sufficient** to simply add an additional **Roman** letter or **Arabic** numeral to a nonconforming marking; a new and unique marking using **Roman** letters and **Arabic** numerals is required. Where feasible, the new markings should be placed directly above the non-compliant markings.

Similarly, **firearms** and **large capacity ammunition feeding devices** which contain required markings **obstructed** in whole or in part from plain view must be **remarked with required markings** that satisfy the conspicuousness requirements described above. For example, required markings **may not** be placed on a portion of the barrel where the markings would be wholly or partially obstructed from view by another part of the firearm, such as a flash suppressor or bayonet mount.

In certain unavoidable circumstances owing mainly to **firearms of unusual design** or other limiting factor(s) which would limit the ability of the manufacturer or importer to comply with the above legibility and conspicuousness requirements, **alternate means of identification** may be authorized as described in sections **27 CFR § 178.92(a)(3)(i), (ii), or (iii)** and section **27 CFR § 178.92(c)(3)(ii)**.

Held, a **Makarov** type pistol imported from **Bulgaria** utilizing **Cyrillic** letters or **non-Arabic** numbers **is not** marked in accordance with sections **27 CFR § 178.92** and **27 CFR § 179.102**.

Held further, an **imported firearm** with any part of the **required marking partially or wholly obstructed** from plain view **is not** marked in accordance with section **27 CFR § 178.92** and section **27 CFR § 179.102**.

Date signed: November 5, 2002

NOTE: All cited references to Regulations and Statutes use identifiers and section indicators in effect at the time the ruling was approved. On January 24, 2003, ATF was part of a reorganization of Government, which placed it under the Department of Justice (DOJ). This transition resulted in certain changes within the numbering system and identification of ATF's regulations now issued and referenced under the authority of DOJ.

ATF Ruling

Ruling 75-28

The Bureau has determined that **in some cases** the serial number placed on a firearm by a foreign manufacturer is adequate to provide the identification number required by **27 CFR § 178.92**. See also, **27 CFR § 178.22(a)**.

Held, where a serial number has been placed on the frame or receiver of a firearm by a foreign manufacturer in the manner contemplated by **27 CFR § 178.92**, and such serial number **does not duplicate** a number previously adopted or assigned by the importer to any other firearm, the importer may adopt the serial number of the foreign manufacturer:

Provided, the importer shall in all cases place his name and address (**city and State, or recognized abbreviation thereof**), and any other marks necessary to comply with the identification requirements of **27 CFR § 178.92**, on such imported firearms.

Industry Circular

Industry Circular 77-20

DUPLICATION OF SERIAL NUMBERS BY LICENSED IMPORTERS

ATF has noted cases where some licensed importers have adopted the same serial number for more than one firearm. These instances of duplication have generally occurred when firearms are received from more than one source.

Title 27 CFR § 178.92 requires that the serial number affixed to a firearm must not duplicate the number affixed to any other firearm that you import into the United States. Those of you who import destructive devices are under the same requirement due to the inclusion of destructive devices in the definition of firearm as used in **27 CFR § 178.11**. **ATF Ruling 75-28** stated that a serial number affixed by the foreign manufacturer may be adopted to fulfill this unique serial number requirement. However, the manufacturer's serial number must be affixed in the manner set forth in **27 CFR § 178.92** and must not duplicate a number previously adopted by you for another firearm.

If you receive two or more firearms with the same serial number, it is your responsibility to affix additional markings to make each serial number unique. **ATF Ruling 75-28** also reminds you of the other identifying marks required by **27 CFR § 178.92**. In addition to a unique serial number, each firearm must be marked to show the model (if any); the caliber or gauge; the name of the manufacturer and importer, or recognizable abbreviations; the country of manufacture; and the city and State (or recognized abbreviations) in which your licensed premises are located.

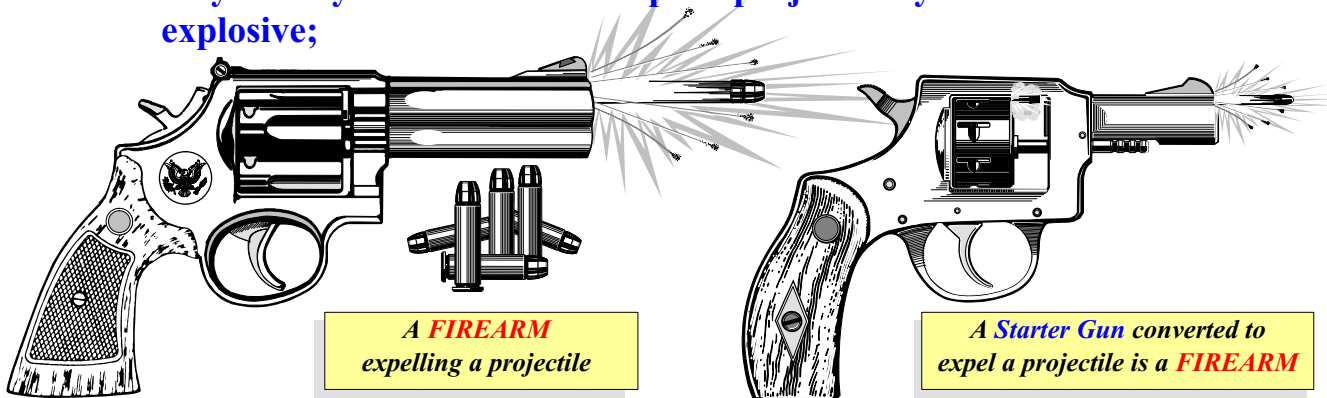
NOTE: All cited references to Regulations and Statutes use identifiers and section indicators in effect at the time the circulars was approved. On January 24, 2003, ATF was part of a reorganization of Government, which placed it under the Department of Justice (DOJ). This transition resulted in certain changes within the numbering system and identification of ATF's regulations now issued and referenced under the authority of DOJ.

FIREARM - 18 U.S.C., Chapter 44, § 921(a)(3)

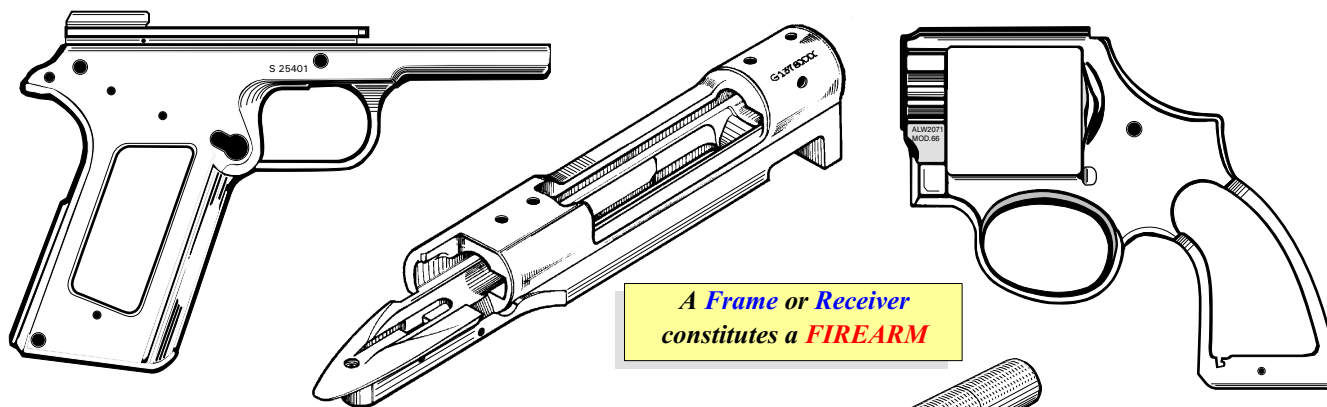
NOTE: This section is intended to provide basic guidance in understanding firearms terminology. Please bear in mind that these illustrations do not necessarily depict importable firearms.

The term "**FIREARM**" means

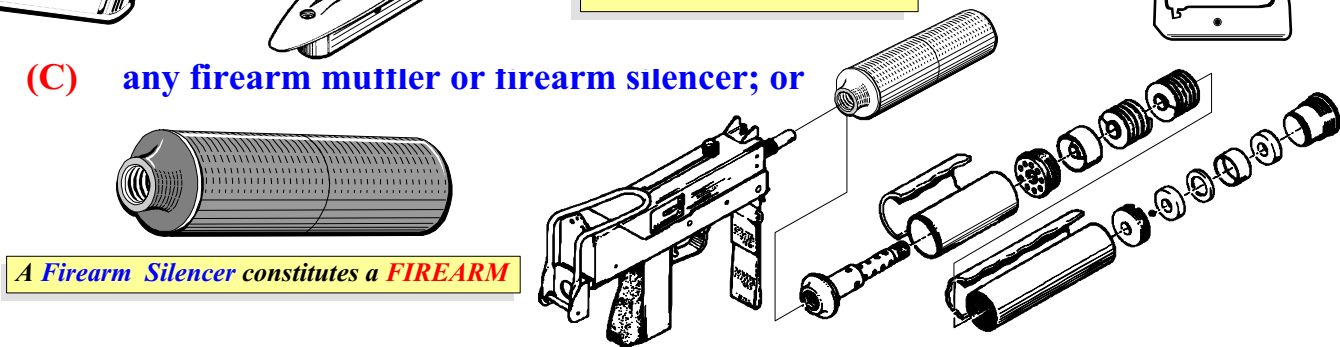
- (A) any weapon (including a starter gun) which will or is designed to or may readily be converted to expel a projectile by the action of an explosive;



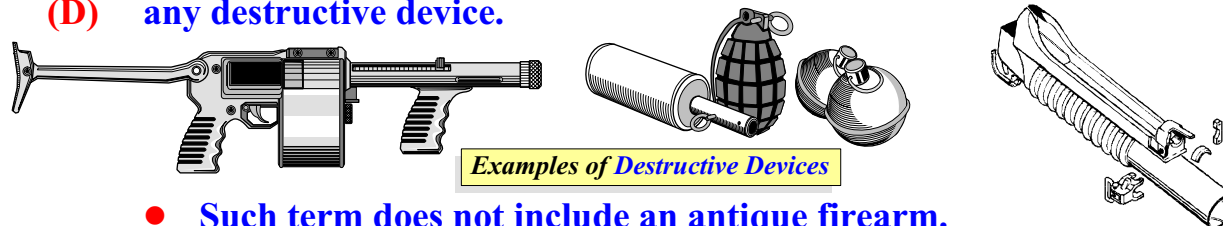
- (B) the frame or receiver of any such weapon;



- (C) any firearm muttler or firearm silencer; or



- (D) any destructive device.



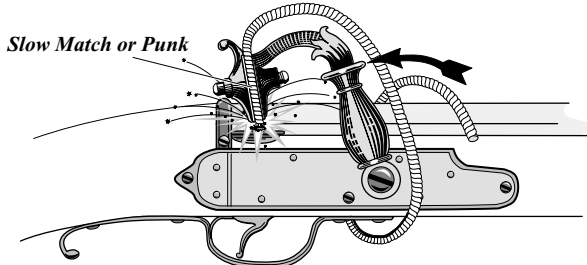
- Such term does not include an antique firearm.

Firearm frame or receiver. That part of a firearm which provides housing for the hammer, bolt or breechblock, and firing mechanism, and which is usually threaded at its forward portion to receive the barrel. 27 CFR §478.11

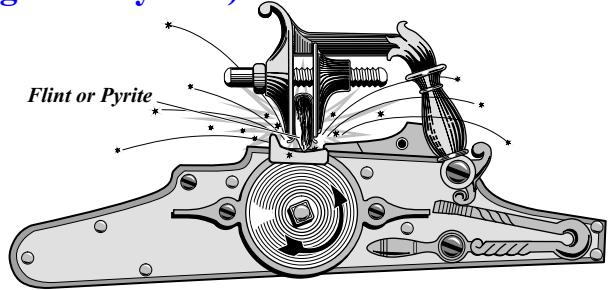
ANTIQUE FIREARM - 18 U.S.C., Chapter 44, § 921(a)(16)

The term "**ANTIQUE FIREARM**" means

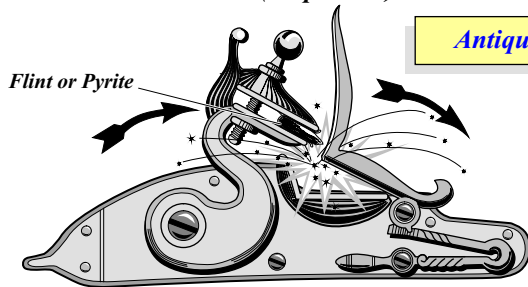
- (A) any firearm (including any firearm with a matchlock, flintlock, percussion cap, or similar type of ignition system) manufactured in or before 1898; and



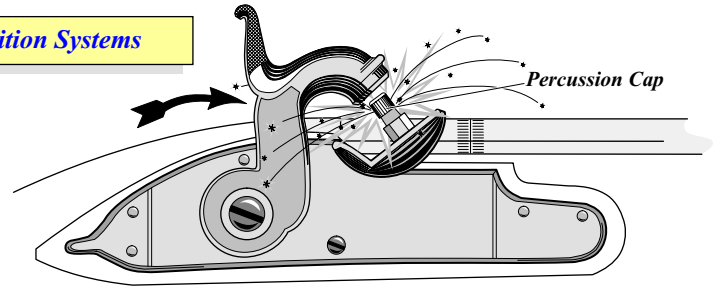
Matchlock (Serpentine) 1300-



Wheel Lock 1500-



Flintlock 1630 - (Snaphaunce) 1525- preceded flintlock

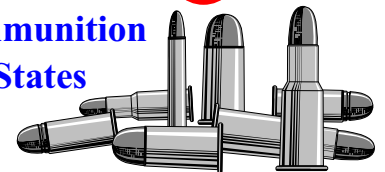
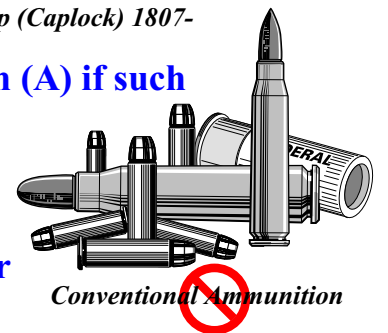


Percussion Cap (Caplock) 1807-

Antique Ignition Systems

- (B) any replica of any firearm described in subparagraph (A) if such replica

- (i) is not designed or redesigned for using rimfire or conventional centerfire fixed ammunition, or
- (ii) uses rimfire or conventional centerfire fixed ammunition which is no longer manufactured in the United States and which is not readily available in the ordinary channels of commercial trade.



Ammunition not readily available
(This list is updated frequently due to changing availability)

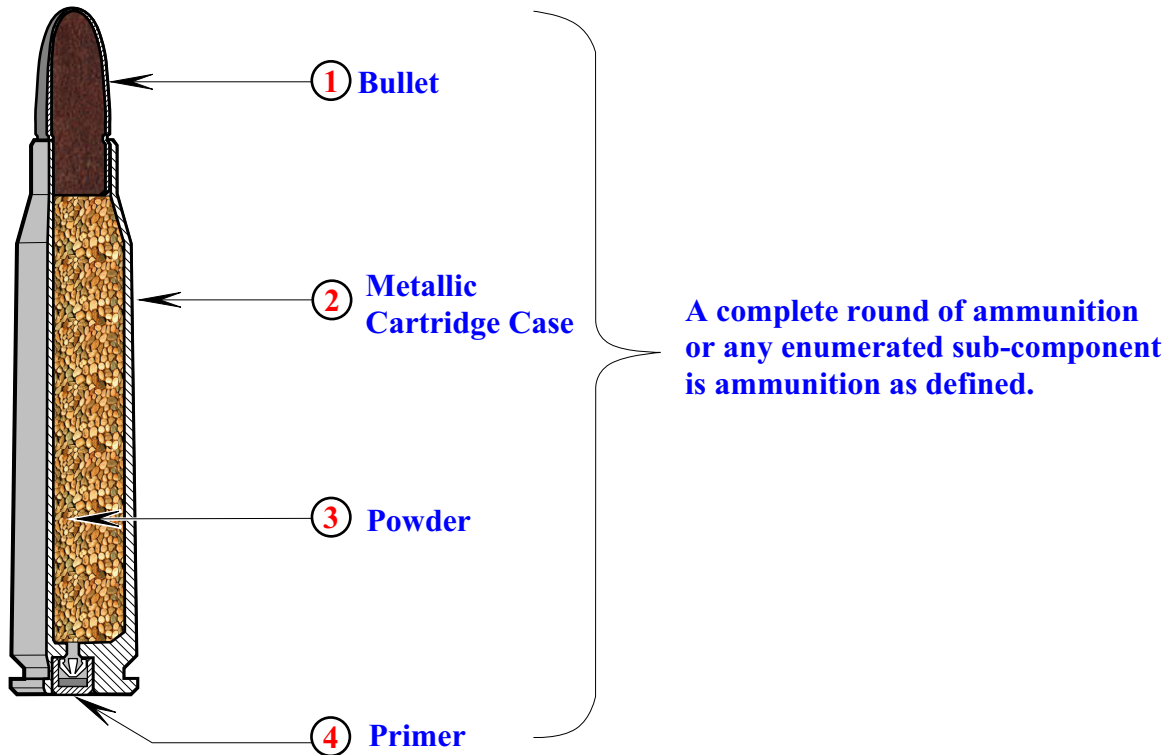
- (C) any muzzle loading rifle, muzzle loading shotgun, or muzzle loading pistol, which is designed to use black powder, or black powder substitute, and which cannot use fixed ammunition. For purposes of this subparagraph, the term antique firearm shall not include any weapon which includes a firearm frame or receiver, any firearm which is converted into a muzzle loading weapon, or any muzzle loading weapon which can be readily converted to fire fixed ammunition by replacing the barrel, bolt, breechblock or any combination thereof.



AMMUNITION - 18 U.S.C., Chapter 44, § 921(a)(17)(A)

The term "**AMMUNITION**" means ammunition or cartridge cases, primers, bullets, or propellant powder designed for use in any firearm.

The term shall not include (a) any shotgun shot or pellet not designed for use as the single, complete projectile load for one shotgun hull or casing, nor (b) any unloaded, non-metallic shotgun hull or casing not having a primer. 27 CFR § 478.11

**ARMOR PIERCING AMMUNITION - 18 U.S.C., Chapter 44, § 921(a)(17)(B)**

- a projectile or projectile core which may be used in a handgun and which is constructed entirely (excluding the presence of traces of other substances) from one or a combination of tungsten alloys, steel, iron, brass, bronze, beryllium copper, or depleted uranium; or
- a full jacketed projectile larger than .22 caliber designed and intended for use in a handgun and whose jacket has a weight of more than 25 percent of the total weight of the projectile.

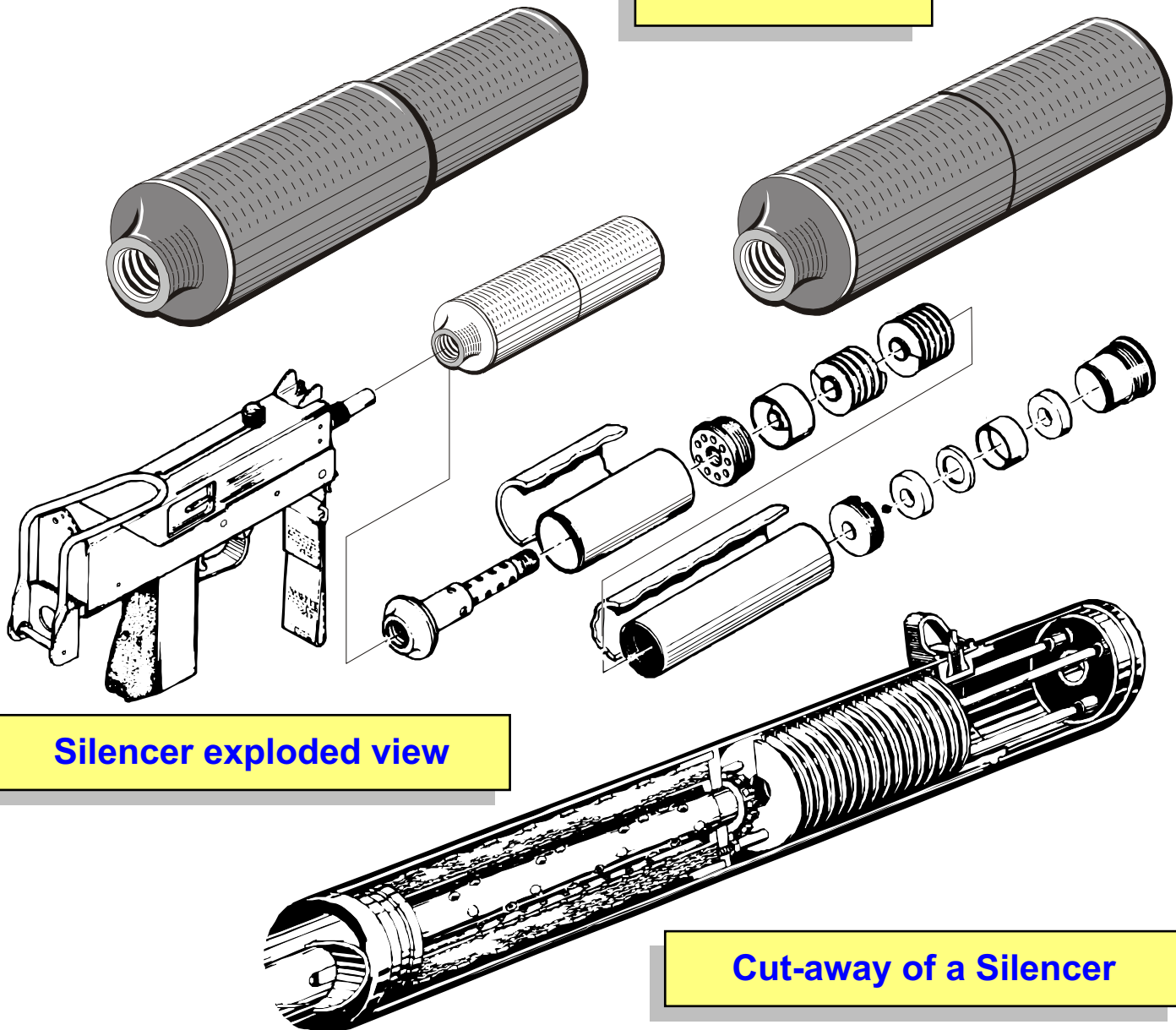
The term "**armor piercing ammunition**" does not include shotgun shot required by Federal or State environmental or game regulations for hunting purposes, a frangible projectile designed for target shooting, a projectile which the Attorney General finds is primarily intended to be used for sporting purposes, or any other projectile or projectile core which the Attorney General finds is intended to be used for industrial purposes, including a charge used in an oil and gas well perforating device.

Silencer - Title 18 U.S.C., Chapter 44, § 921(a)(24)

The terms "**Firearm Silencer**" and "**Firearm Muffler**" means any device for silencing, muffling, or diminishing the report of a portable firearm, including any combination of parts, designed or redesigned, and intended for the use in assembling or fabricating a firearm silencer or firearm muffler, and any part intended only for use in such assembly or fabrication.

NOTE: Any device that meets the definition as stipulated above in 18 U.S.C., Chapter 44, § 921(a)(24) is also subject to controls as defined in the National Firearms Act 26 U.S.C. Chapter 53.

Silencers



Silencer exploded view

Cut-away of a Silencer

SEMI-AUTOMATIC ASSAULT WEAPONS - Title 18 U.S.C., Chapter 44, § 921(a)(30)

The term "**SEMI-AUTOMATIC ASSAULT WEAPON**" under Title I of the GCA means any of the firearms, or copies or duplicates of firearms, in any caliber, known as -

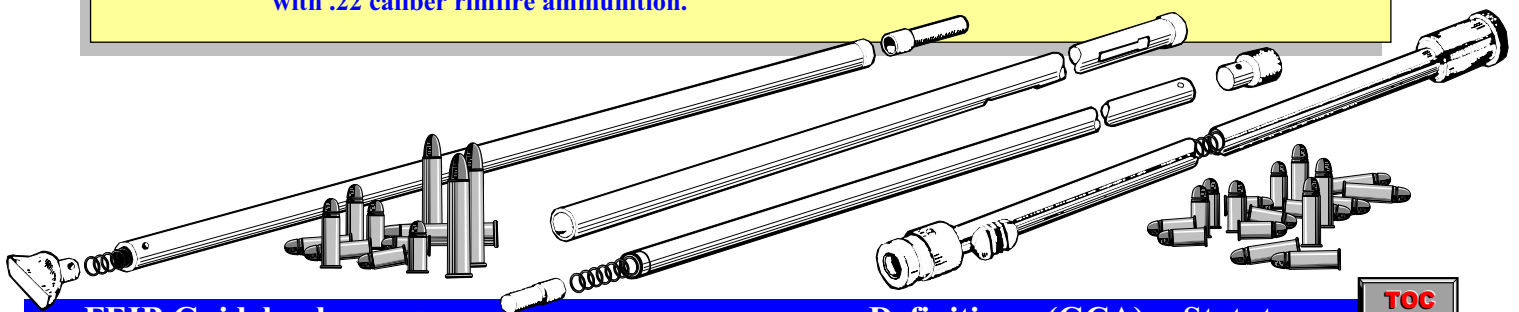
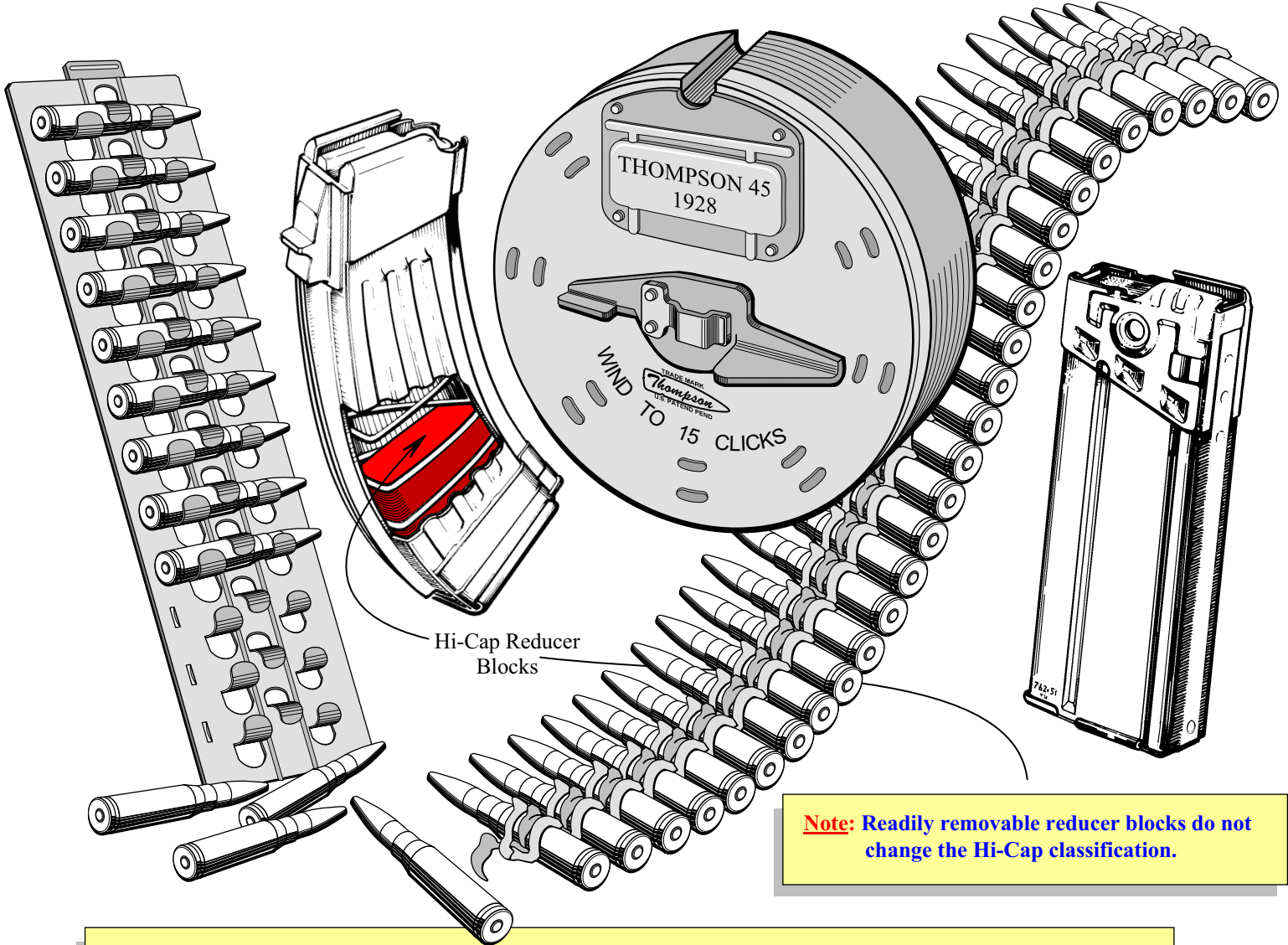
- (i) Norinco, Mitchell, and Poly Technologies Avtomat Kalashnikovs (all models);
- (ii) Action Arms Israeli Military Industries UZI and Galil;
- (iii) Beretta Ar70 (SC-70);
- (iv) Colt AR-15;
- (v) Fabrique National FN/FAL, FN/LAR, and FNC;
- (vi) SWD M-10, M-11, M-11/9, and M-12;
- (vii) Steyr AUG;
- (viii) INTRATEC TEC-9, TEC-DC9 and TEC-22; and
- (ix) revolving cylinder shotguns, such as (or similar to) the Street Sweeper and Striker 12;



Large Capacity Ammunition Feeding Device - Title 18 U.S.C., Chapter 44, § 921(a)(31)

The term "**Large Capacity Ammunition Feeding Device**" (often referred to as "**High Capacity Magazines**") under Title I of the GCA means a magazine, belt, drum, feed strip, or similar device manufactured after the date of enactment of the Violent Crime Control and Law Enforcement Act of 1994 that has a capacity of, or that can be readily restored or converted to accept, more than 10 rounds of ammunition.

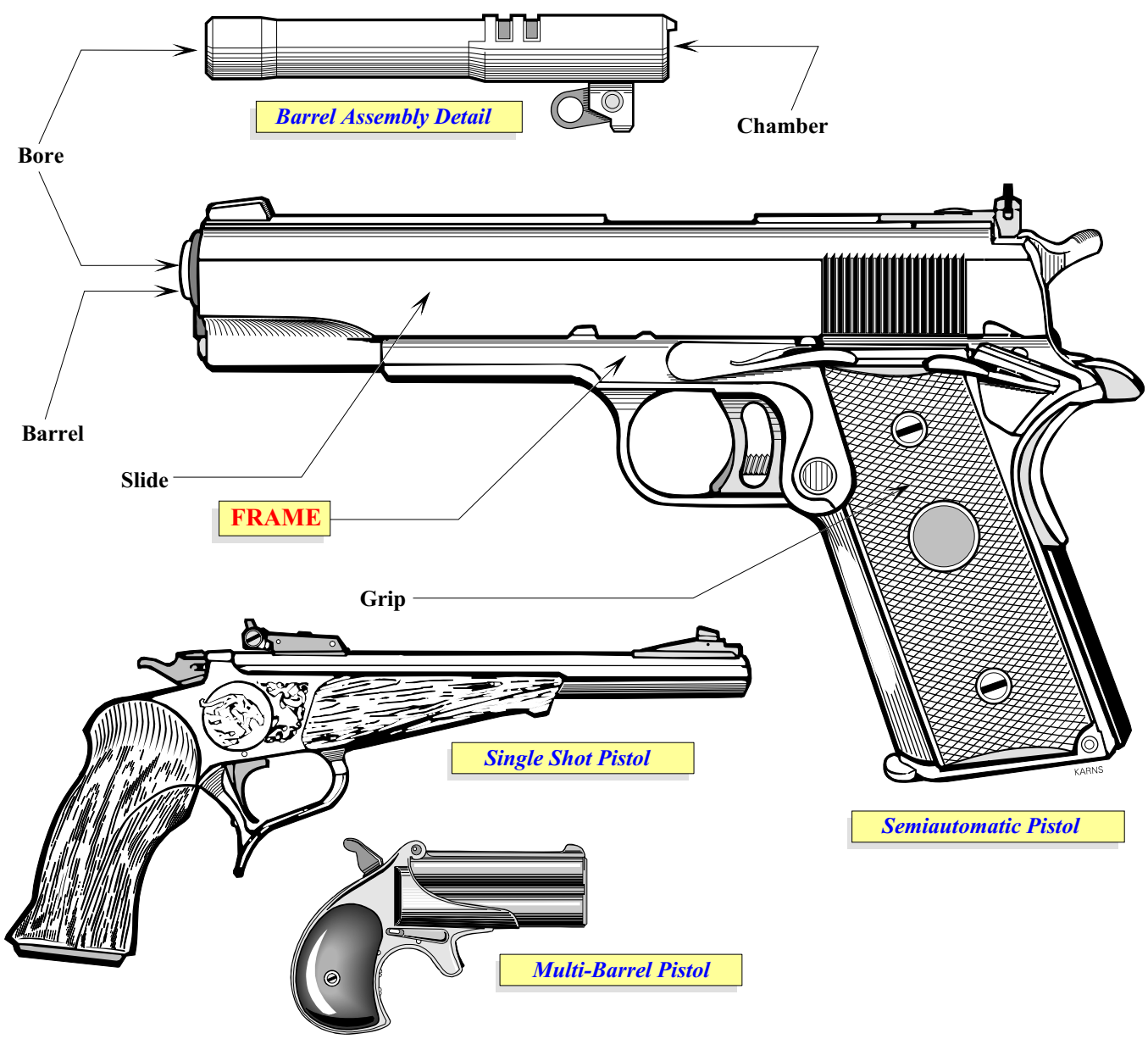
Enactment Date: September 13, 1994



PISTOL - Title 27 CFR § 478.11

The term "**PISTOL**" means a weapon originally designed, made, and intended to fire a projectile (bullet) from one or more barrels when held in one hand, and having; a chamber(s) as an integral part(s) of, or permanently aligned with, the bore(s); and a short stock designed to be gripped by one hand at an angle to and extending below the line of the bore(s).

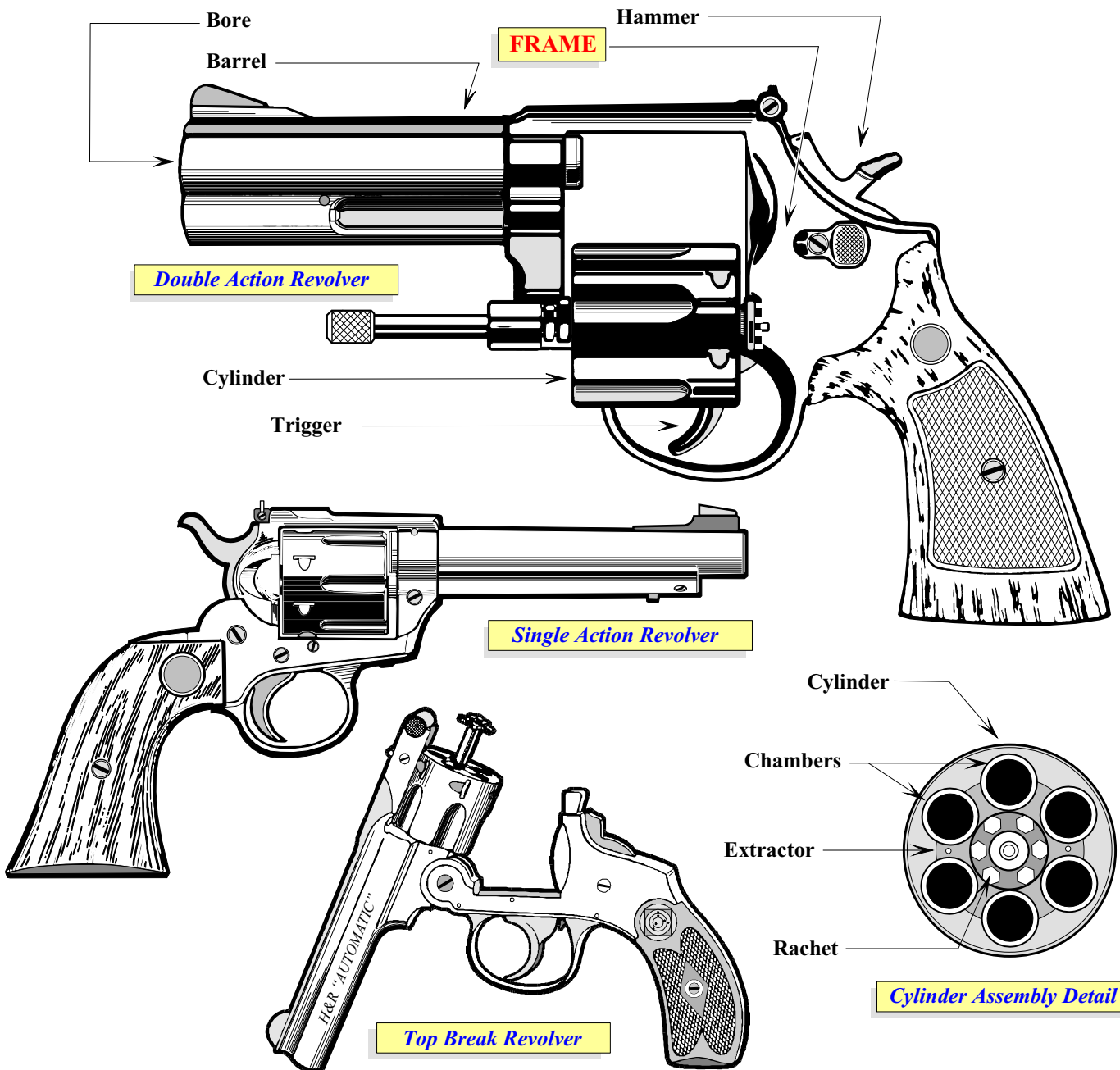
NOTE: This illustration shows the primary characteristics exhibited in the **Pistol** category. Since pistol configurations differ significantly, various models in this classification may exhibit any of the illustrated components in a revised configuration but not necessarily all components shown will be incorporated in any one given design.



REVOLVER - Title 27 CFR § 478.11

The term "**REVOLVER**" means a projectile weapon, of the pistol type, having a breechloading chambered cylinder so arranged that the cocking of the hammer or movement of the trigger rotates it and brings the next cartridge in line with the barrel for firing.

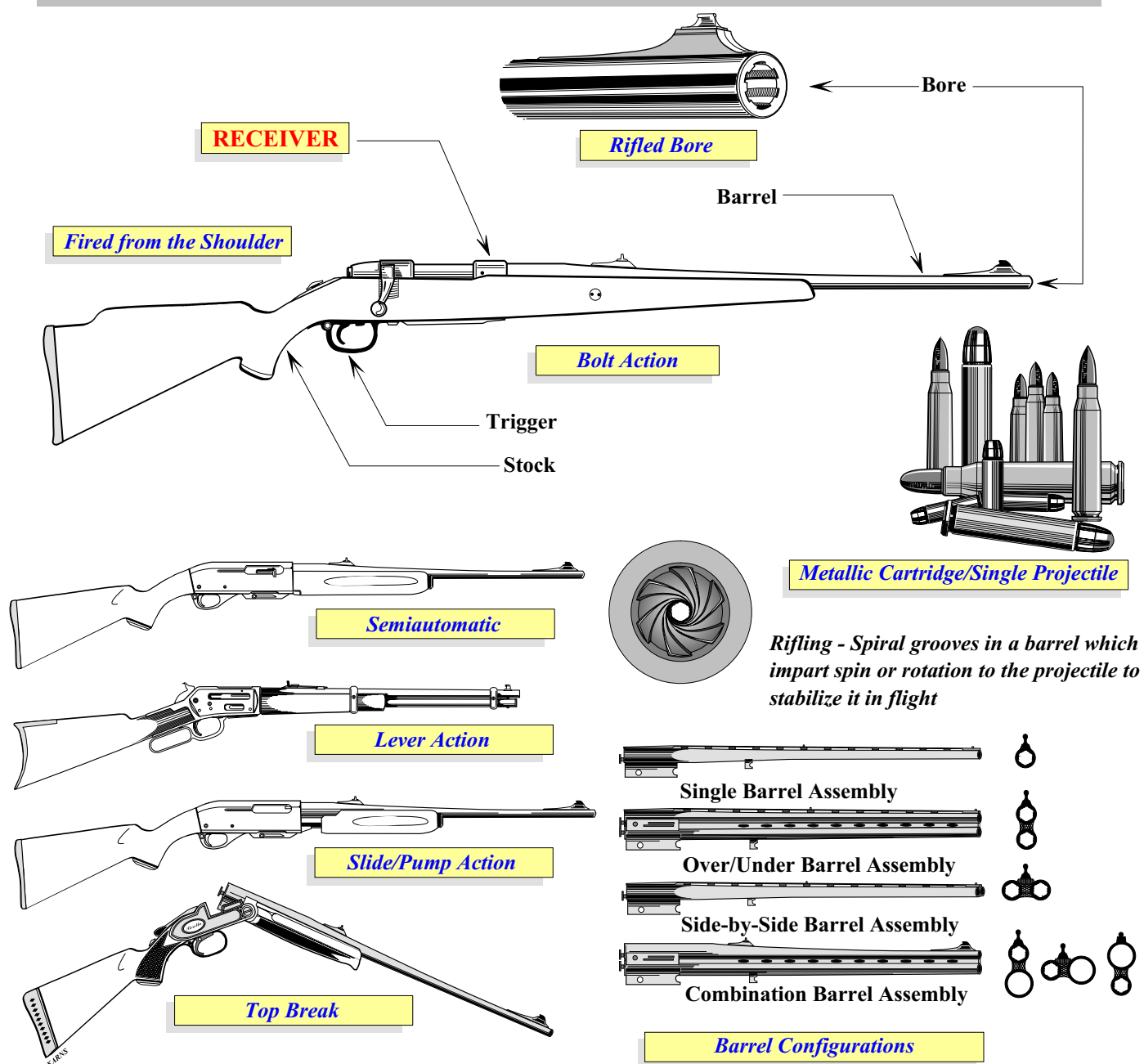
NOTE: This illustration shows the primary characteristics exhibited in the Revolver category. Since revolver configurations differ significantly, various models in this classification may exhibit any of the illustrated components in a revised configuration but not necessarily all components shown will be incorporated in any one given design.



RIFLE - Title 27 CFR § 478.11

The term "**RIFLE**" means a weapon designed or redesigned, made or remade, and intended to be fired from the shoulder, and designed or redesigned and made or remade to use the energy of the explosive in a fixed metallic cartridge to fire only a single projectile through a rifled bore for each single pull of the trigger.

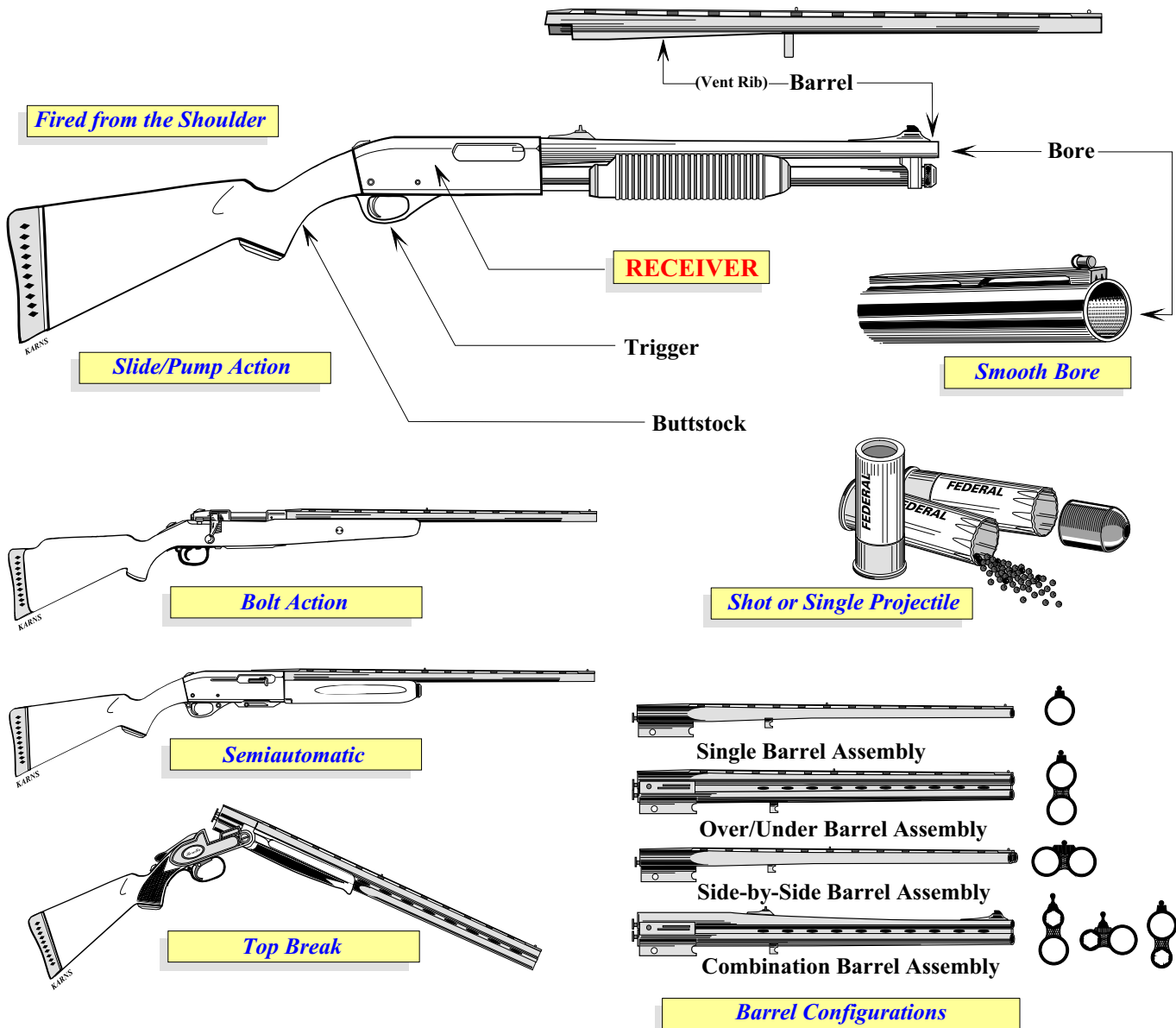
NOTE: This illustration shows the primary characteristics exhibited in the Rifle category. Since rifle configurations differ significantly, various models in this classification may exhibit any of the illustrated components in a revised configuration but not necessarily all components shown will be incorporated in any one given design.



SHOTGUN - Title 27 CFR § 478.11

The term "**SHOTGUN**" means a weapon designed or redesigned, made or remade, and intended to be fired from the shoulder, and designed or redesigned and made or remade to use the energy of the explosive in a fixed shotgun shell to fire through a smooth bore either a number of ball shot or a single projectile for each single pull of the trigger.

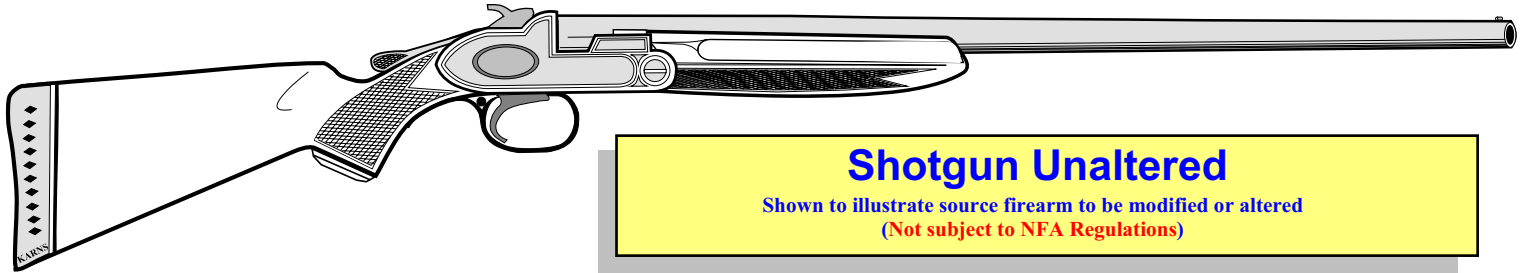
NOTE: This illustration shows the primary characteristics exhibited in the Shotgun category. Since shotgun configurations differ significantly, various models in this classification may exhibit any of the illustrated components in a revised configuration but not necessarily all components shown will be incorporated in any one given design.



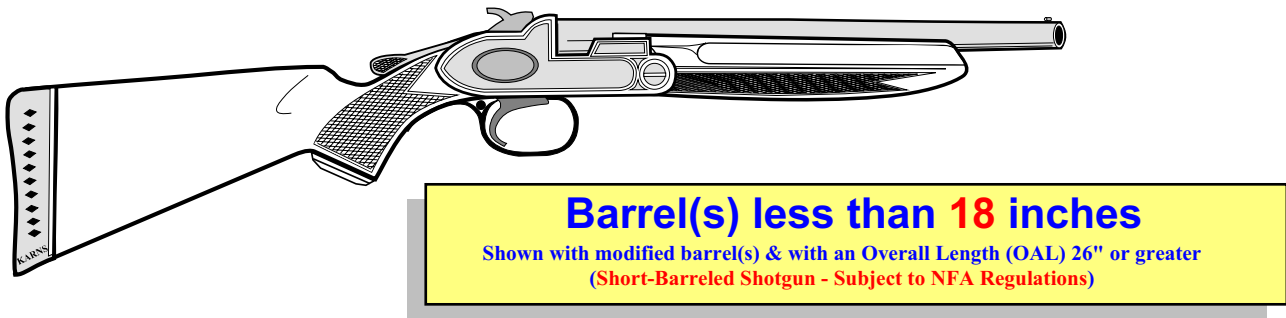
Firearm - Title 26 U.S.C., Chapter 53, § 5845 (a)

For Purposes of the NATIONAL FIREARMS ACT

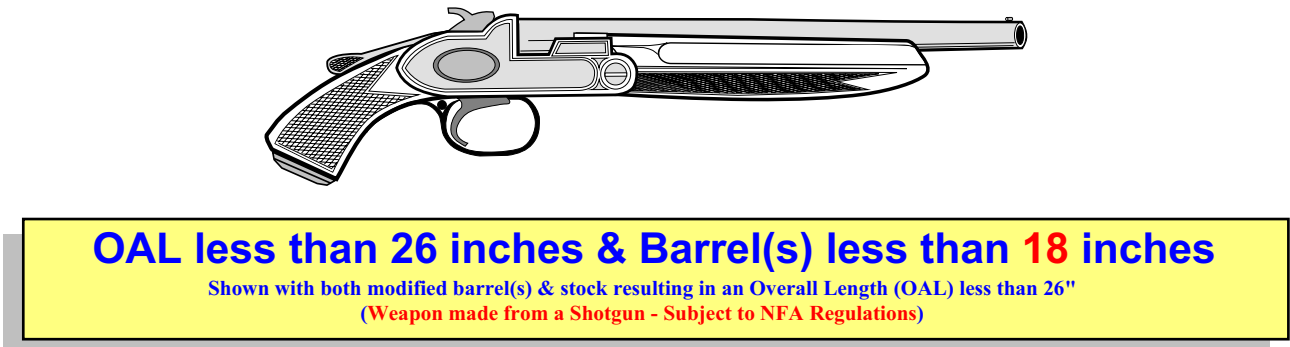
§ 5845 (d) The term "**SHOTGUN**" means a weapon designed or redesigned, made or remade, and intended to be fired from the shoulder, and designed or redesigned and made or remade to use the energy of the explosive in a fixed shotgun shell to fire through a smooth bore either a number of ball shot or a single projectile for each single pull of the trigger.



§ 5845 (a)(1) The term "**FIREARM**" means a **shotgun** having a barrel or barrels of less than 18 inches in length;



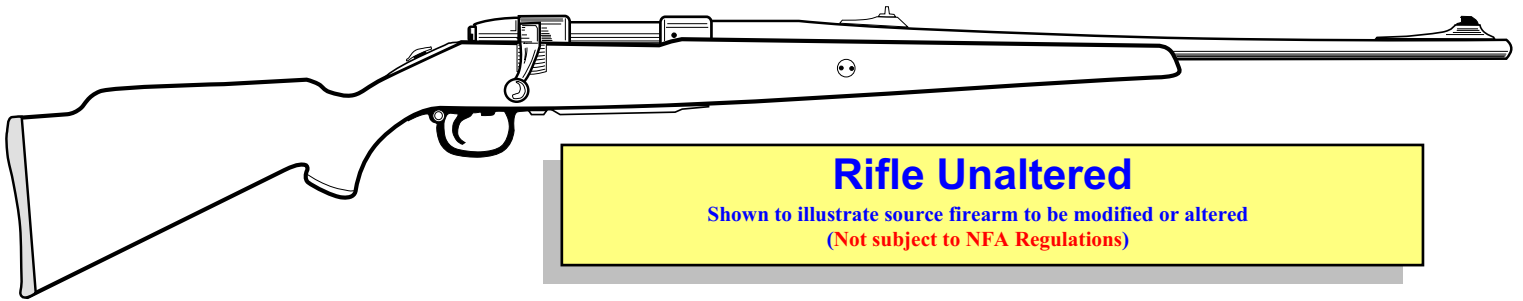
§ 5845 (a)(2) The term "**FIREARM**" means a **weapon made from a shotgun** if such weapon as modified has an overall length of less than 26 inches or a barrel or barrels of less than 18 inches in length;



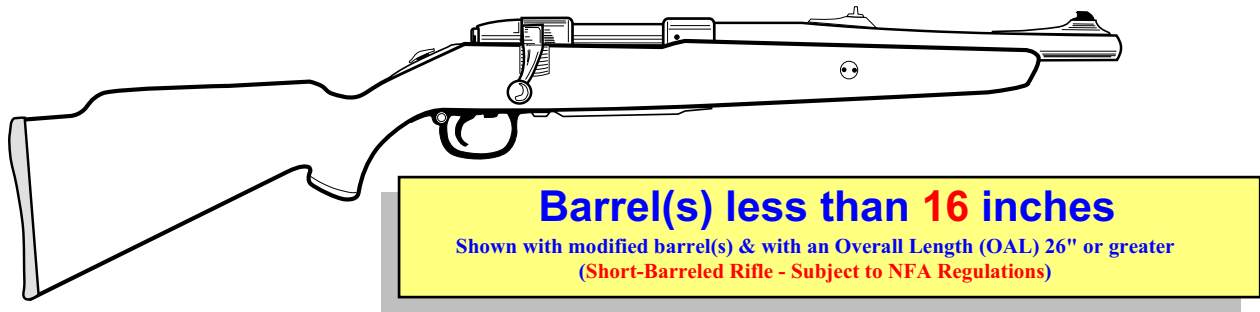
Firearm - Title 26 U.S.C., Chapter 53, § 5845 (a)

For Purposes of the NATIONAL FIREARMS ACT

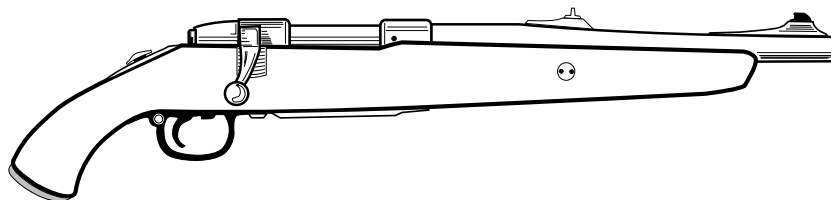
§ 5845 (c) The term "**RIFLE**" means a weapon designed or redesigned, made or remade, and intended to be fired from the shoulder, and designed or redesigned and made or remade to use the energy of the explosive in a fixed metallic cartridge to fire only a single projectile through a rifled bore for each single pull of the trigger.



§ 5845 (a)(3) The term "**FIREARM**" means a **rifle** having a barrel or barrels of less than 16 inches in length;



§ 5845 (a)(4) The term "**FIREARM**" means a **weapon made from a rifle** if such weapon as modified has an overall length of less than 26 inches or a barrel or barrels of less than 16 inches in length;



OAL less than 26 inches & Barrel(s) less than 16 inches

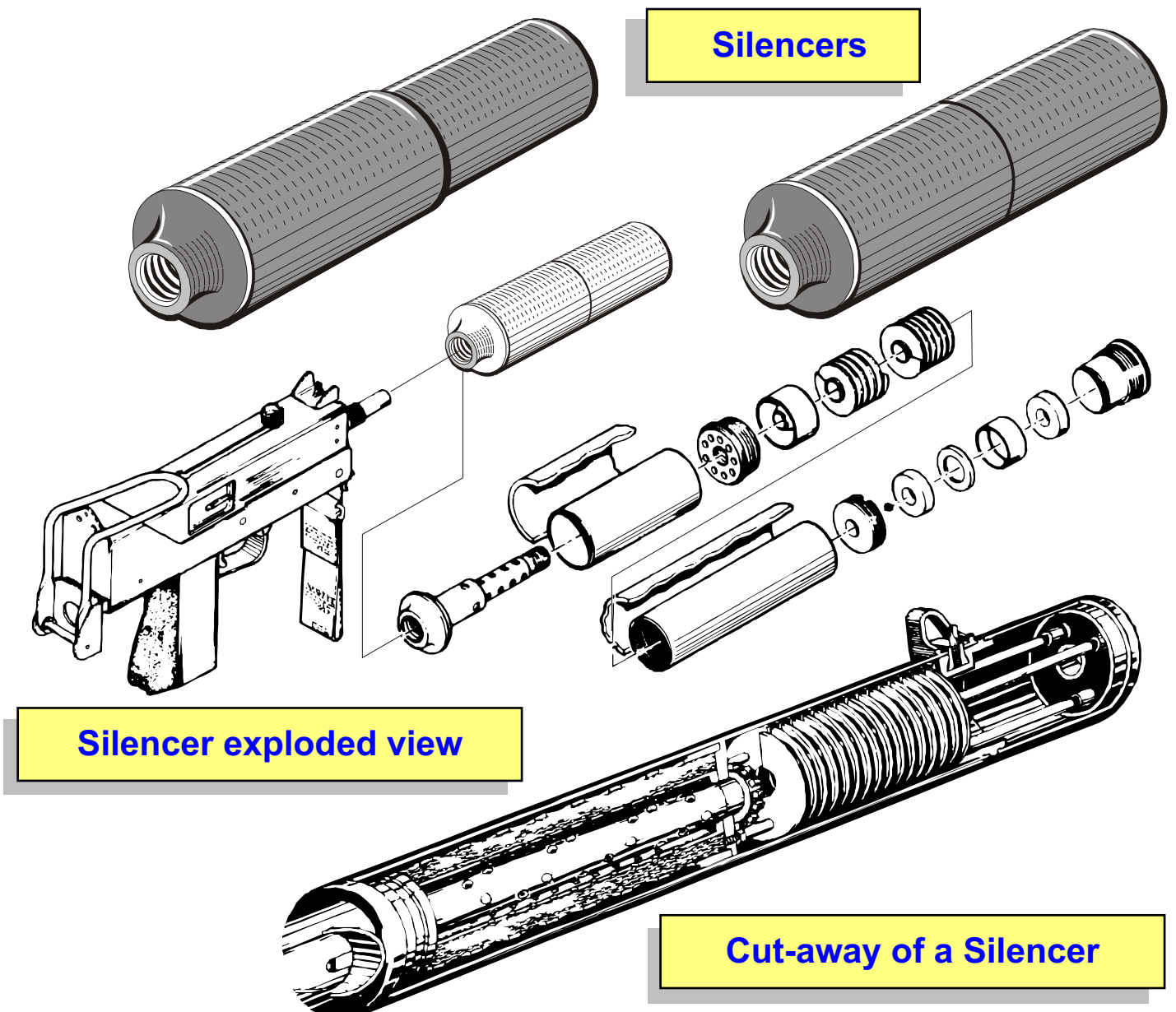
Shown with both modified barrel(s) & stock resulting in an Overall Length (OAL) less than 26"
(Weapon made from a Rifle - Subject to NFA Regulations)

Silencer - Title 26 U.S.C., Chapter 53, § 5845 (a)(7)

*For Purposes of the NATIONAL FIREARMS ACT the term **Silencer** is defined in 18 U.S.C., Chapter 44, § 921 (a)(24)*

The terms "**Firearm Silencer**" and "**Firearm Muffler**" means any device for silencing, muffling, or diminishing the report of a portable firearm, including any combination of parts, designed or redesigned, and intended for the use in assembling or fabricating a firearm silencer or firearm muffler, and any part intended only for use in such assembly or fabrication.

NOTE: Any device that meets the definition as stipulated above in 18 U.S.C., Chapter 44, § 921(a)(24) is also subject to controls as defined in the National Firearms Act 26 U.S.C., Chapter 53.



Machinegun - Title 26 U.S.C., Chapter 53, § 5845(b)

For Purposes of the *NATIONAL FIREARMS ACT*, the term *Machinegun* means:

- Any weapon which shoots, is designed to shoot, or can be readily restored to shoot, automatically more than one shot without manual reloading, by a single function of the trigger
- The frame or receiver of any such weapon
- Any part designed and intended solely and exclusively or combination of parts designed and intended for use in converting a weapon into a machinegun
- Any combination of parts from which a machinegun can be assembled if such parts are in the possession or under the control of a person



NOTE: Due to the similarity in appearance and general configuration, a comprehensive examination of the firearm and/or its component parts is required to correctly determine its classification.

Any Other Weapon - 26 U.S.C., Chapter 53, § 5845(e)

For Purposes of the NATIONAL FIREARMS ACT

The term "**ANY OTHER WEAPON**" means any weapon or device capable of being concealed on the person from which a shot can be discharged through the energy of an explosive, a pistol or revolver having a barrel with a smooth bore designed or redesigned to fire a fixed shotgun shell, weapons with combination shotgun and rifle barrels 12 inches or more, less than 18 inches in length, from which only a single discharge can be made from either barrel without manual reloading, and shall include any such weapon which may be readily restored to fire. Such term shall not include a pistol or a revolver having a rifled bore, or rifled bores, or weapons designed, made, or intended to be fired from the shoulder and not capable of firing fixed ammunition.

Examples of "**ANY OTHER WEAPON**" include:



Models: 1, 2 & 3 (Types I, II & III)
(also 141, 128 & 625 Canadian)

H & R Handy Guns

Caliber/Gauge: .410 or .28 Ga.
Barrel Lengths: 8-, 12.25- & 18-inches

NOTE: Available w/Shoulder Stock



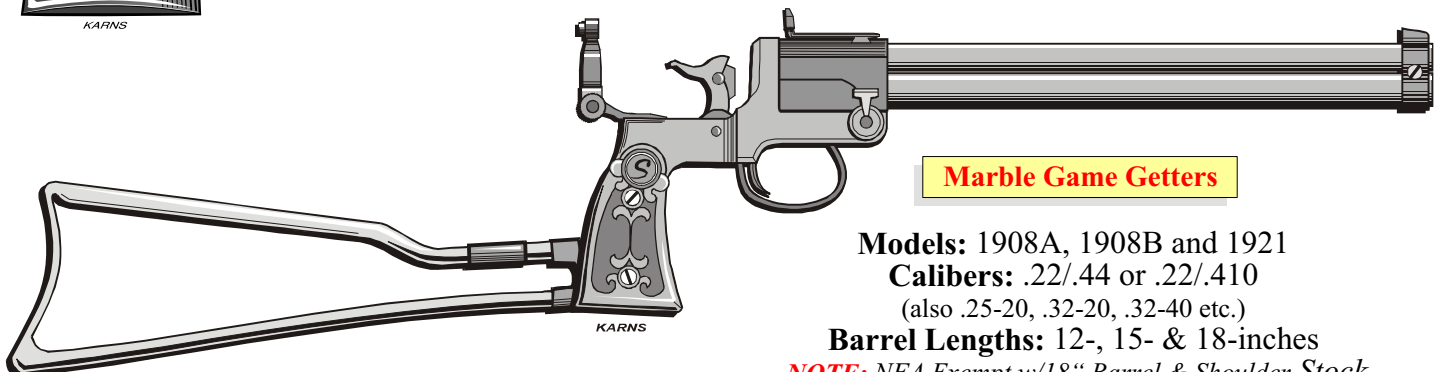
Ithaca Auto-Burglar Guns

Models: A (Flues) & B (N.I.D.)
(also as Model 1908 & 1926)

Caliber/Gauge: .20 Ga. (2.5" & 2.75")
(Also available 16, 20, 28 & .410)

Barrel Lengths: 10- to 10.25-inches

NOTE: Also Available w/12-inch Barrels



Marble Game Getters

Models: 1908A, 1908B and 1921

Calibers: .22/.44 or .22/.410
(also .25-20, .32-20, .32-40 etc.)

Barrel Lengths: 12-, 15- & 18-inches

NOTE: NFA Exempt w/18" Barrel & Shoulder Stock

Any Other Weapon - 26 U.S.C., Chapter 53, § 5845(e) (continued)

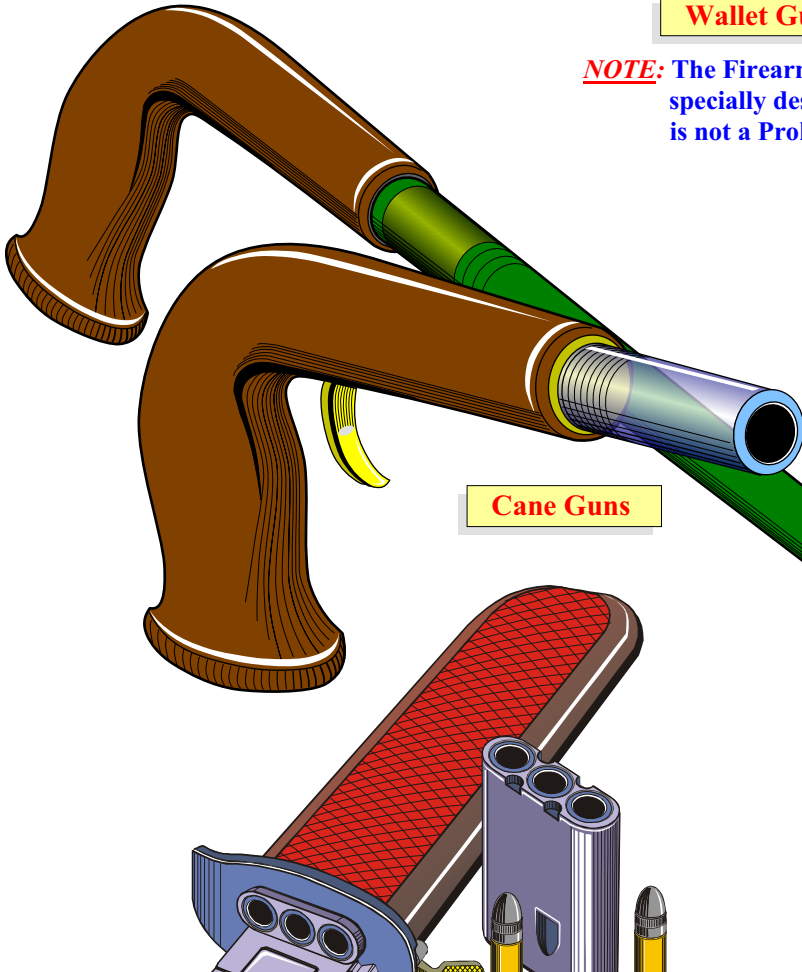
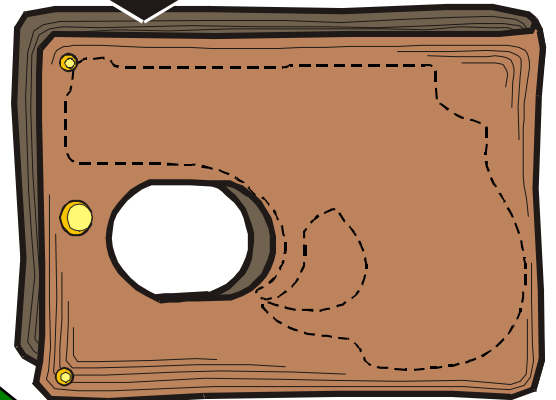
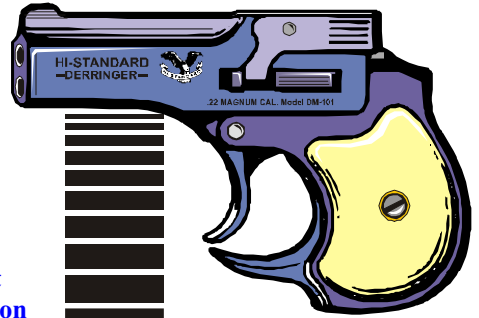
For Purposes of the NATIONAL FIREARMS ACT

The term "**ANY OTHER WEAPON**" means any weapon or device capable of being concealed on the person from which a shot can be discharged through the energy of an explosive.....

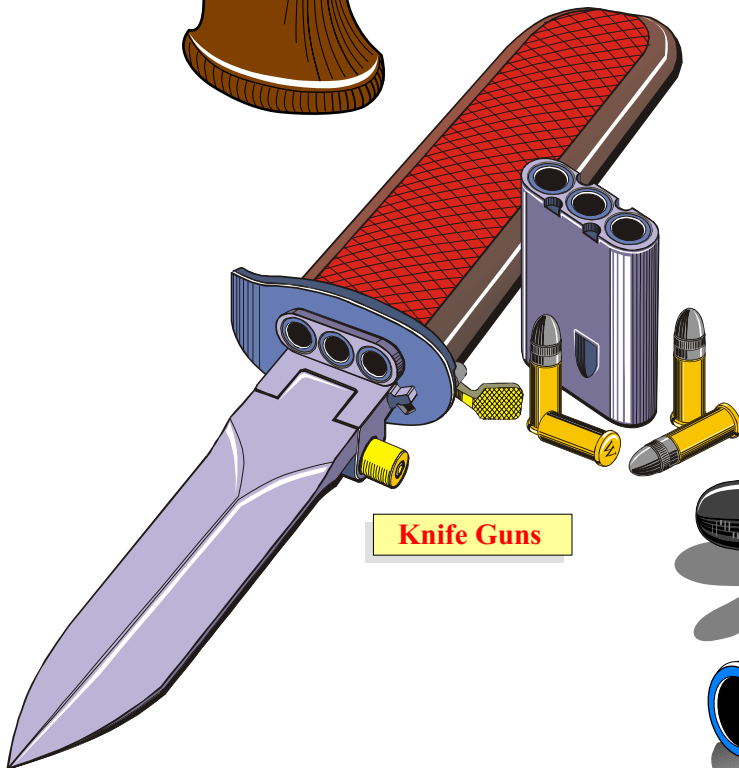
Examples of "**ANY OTHER WEAPON**" include:

Wallet Guns

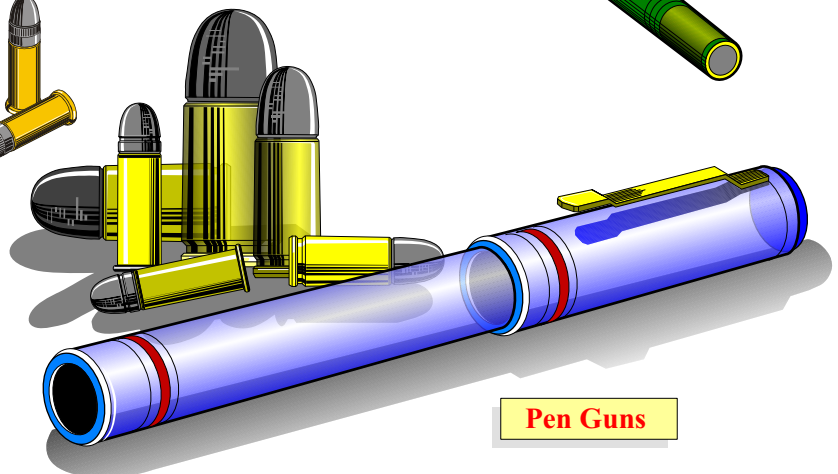
NOTE: The Firearm without the specially designed Wallet is not a Prohibited Weapon



Cane Guns



Knife Guns



Pen Guns

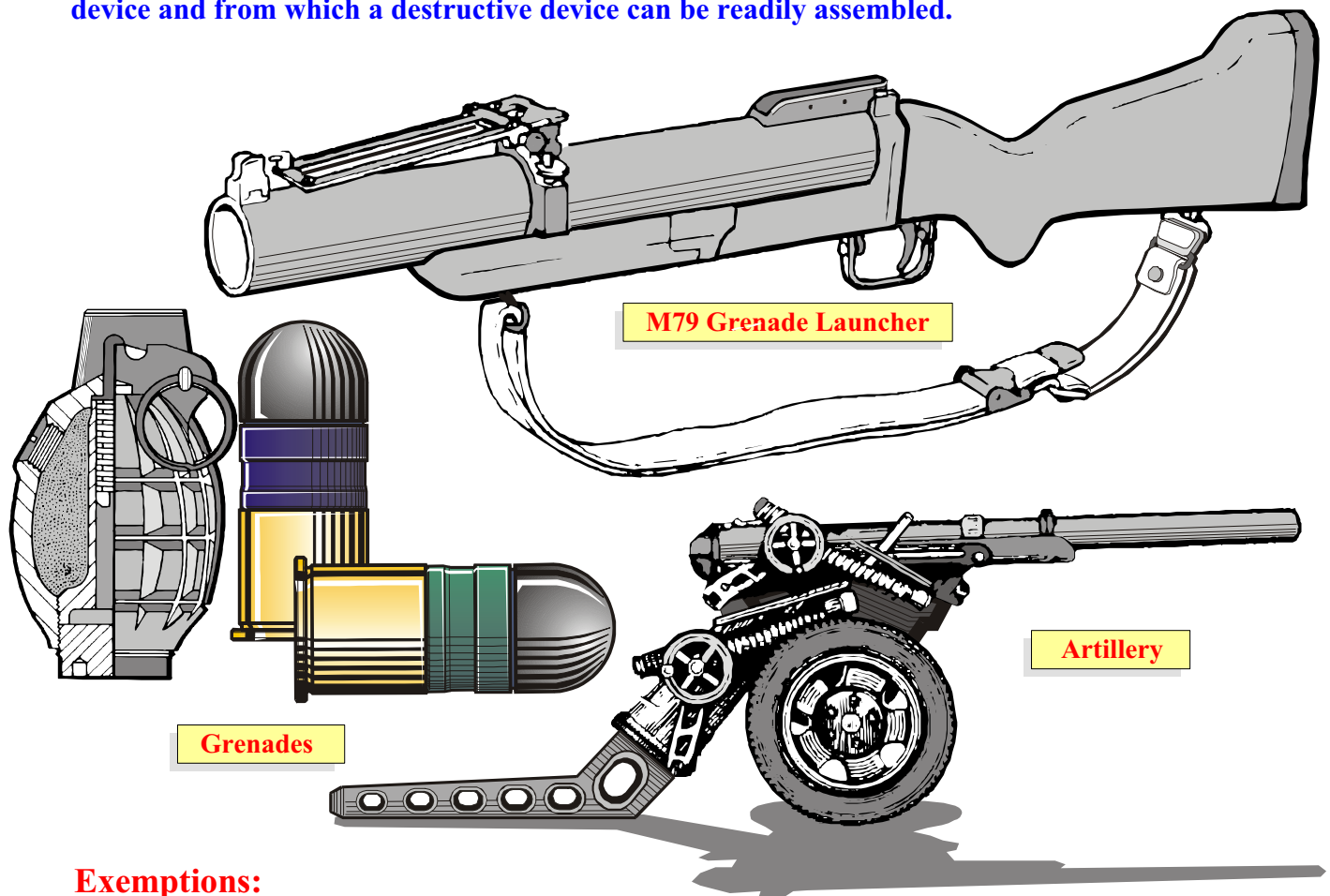
Destructive Device - 26 U.S.C., Chapter 53, § 5845(f)

For Purposes of the *NATIONAL FIREARMS ACT*, the term *Destructive Device* means:

A missile having an explosive or incendiary charge of more than 1/4 oz.

Any type of weapon by whatever name known which will, or which may readily be converted to expel a projectile, by the action of an explosive or other propellant, the barrel or barrels of which have a bore greater than one-half inch in diameter.

A combination of parts designed and intended for use in converting a device into a destructive device and from which a destructive device can be readily assembled.



Exemptions:

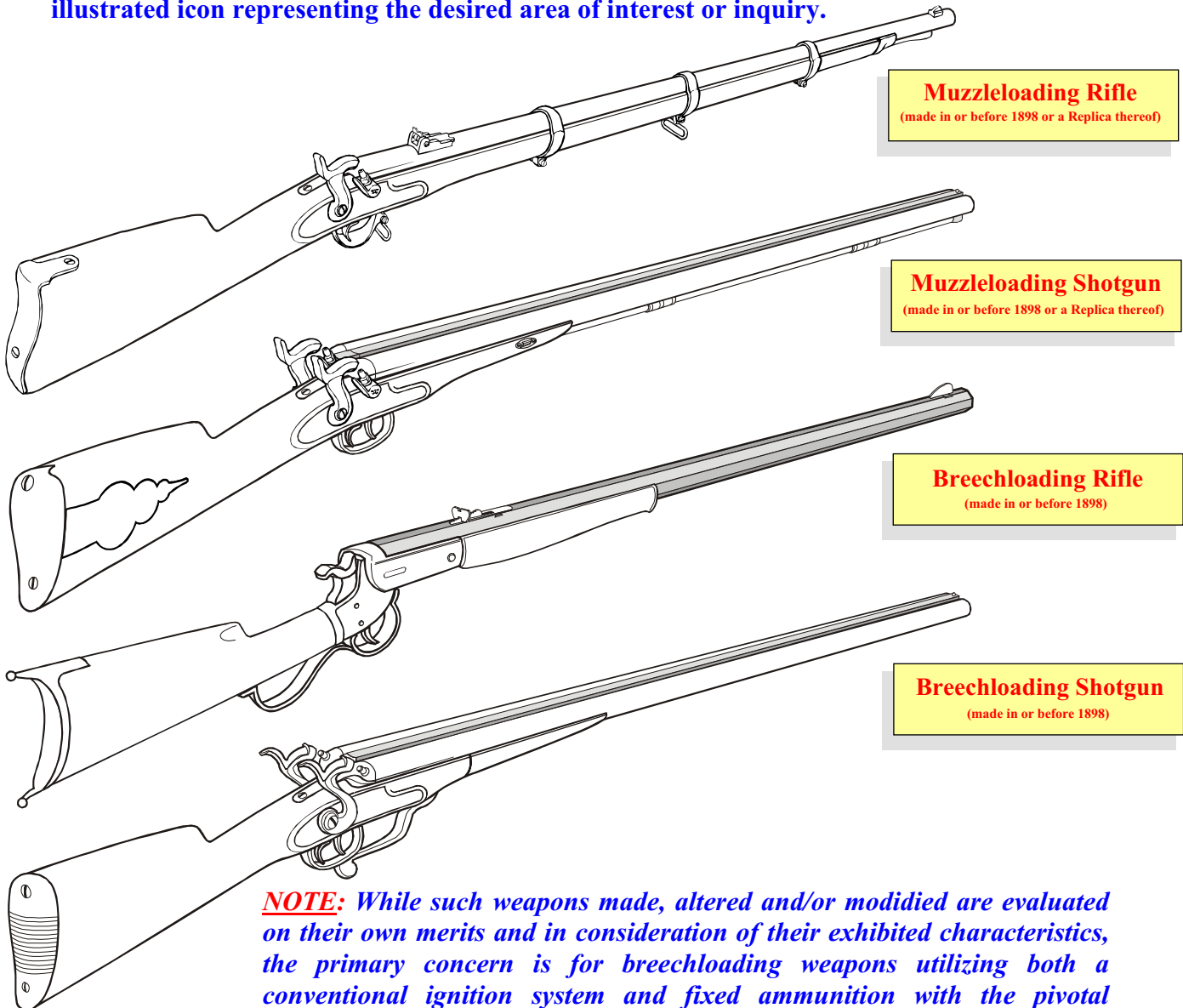
- A shotgun or shotgun shell which is determined by the Attorney General to be generally recognized as particularly suitable for sporting purposes.
- A device which is neither designed nor redesigned for use as a weapon.
- A device which is designed or redesigned for use as a signaling, pyrotechnic, line-throwing, safety, or similar device.
- Surplus ordnance sold, loaded, or given by the Secretary of the Army pursuant to law such as antique, obsolete bronze or iron cannon.
- A device which the Attorney General determines is not likely to be used as a weapon.
- An antique firearm, or
- A rifle which the owner intended to use solely for sporting purposes.

Antique Firearm - 26 U.S.C., Chapter 53, § 5845(g)

*For Purposes of the **NATIONAL FIREARMS ACT***

The term "**ANTIQUÉ FIREARM**" means any firearm not designed or redesigned for using rim fire or conventional center fire ignition with fixed ammunition and manufactured in or before 1898 (including any matchlock, flintlock, percussion cap, or similar type of ignition system or replica thereof, whether actually manufactured before or after the year 1898) and also any firearm using fixed ammunition manufactured in or before 1898, for which ammunition is no longer manufactured in the United States and is not readily available in the ordinary channels of commercial trade.

To view illustrated examples of various "**ANTIQUÉ WEAPONS**" and further determine how applied alterations and/or modifications may effect their classification in reference to NFA regulations, select the identification banner of the illustrated icon representing the desired area of interest or inquiry.

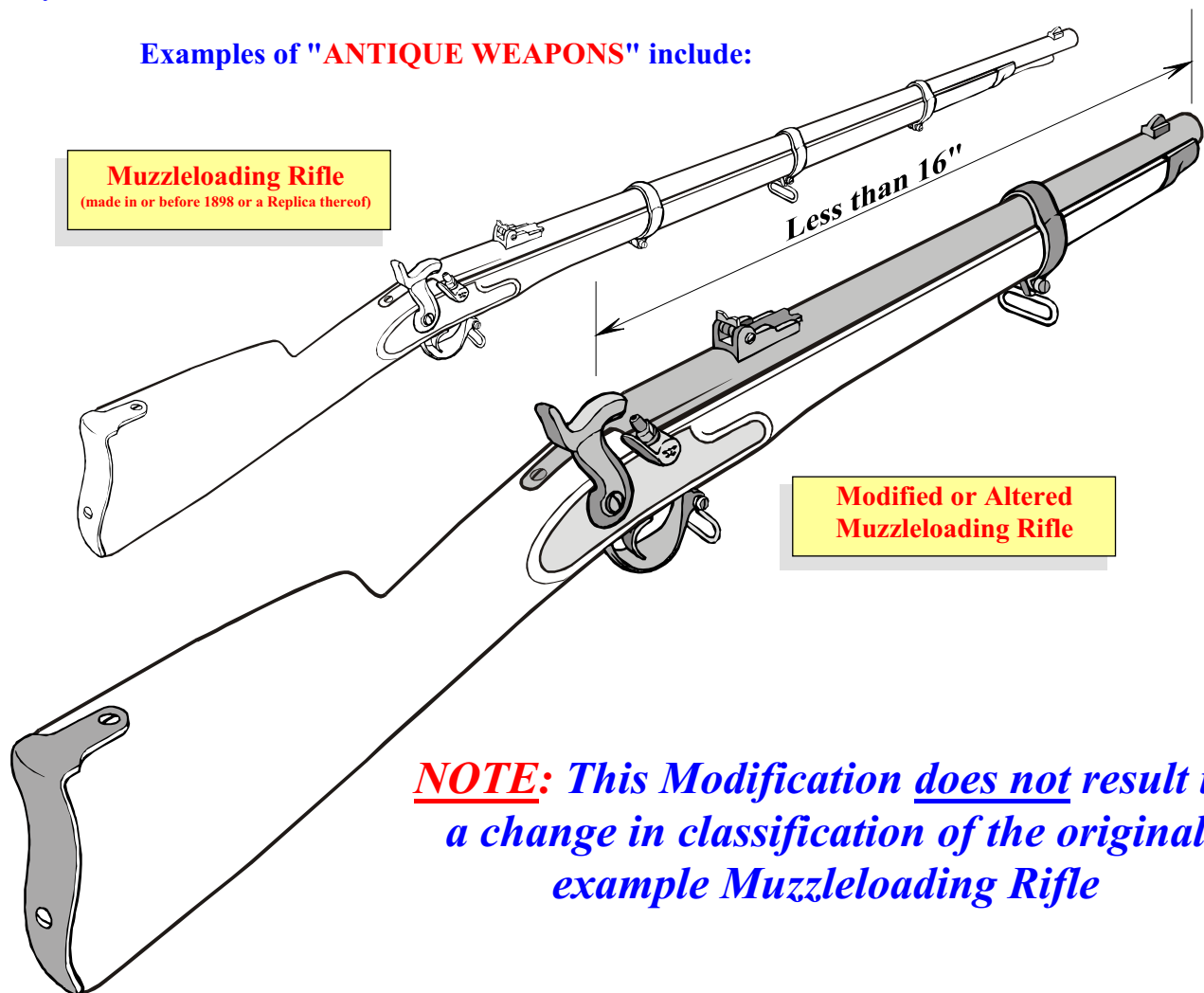


NOTE: While such weapons made, altered and/or modified are evaluated on their own merits and in consideration of their exhibited characteristics, the primary concern is for breechloading weapons utilizing both a conventional ignition system and fixed ammunition with the pivotal determination based on current availability of the required ammunition.

Antique Firearm - 26 U.S.C., Chapter 53, § 5845(g)*For Purposes of the NATIONAL FIREARMS ACT*

The term "**ANTIQUE FIREARM**" means any firearm not designed or redesigned for using rim fire or conventional center fire ignition with fixed ammunition and manufactured in or before 1898 (including any matchlock, flintlock, percussion cap, or similar type of ignition system or replica thereof, whether actually manufactured before or after the year 1898) and also any firearm using fixed ammunition manufactured in or before 1898, for which ammunition is no longer manufactured in the United States and is not readily available in the ordinary channels of commercial trade.

Examples of "**ANTIQUE WEAPONS**" include:



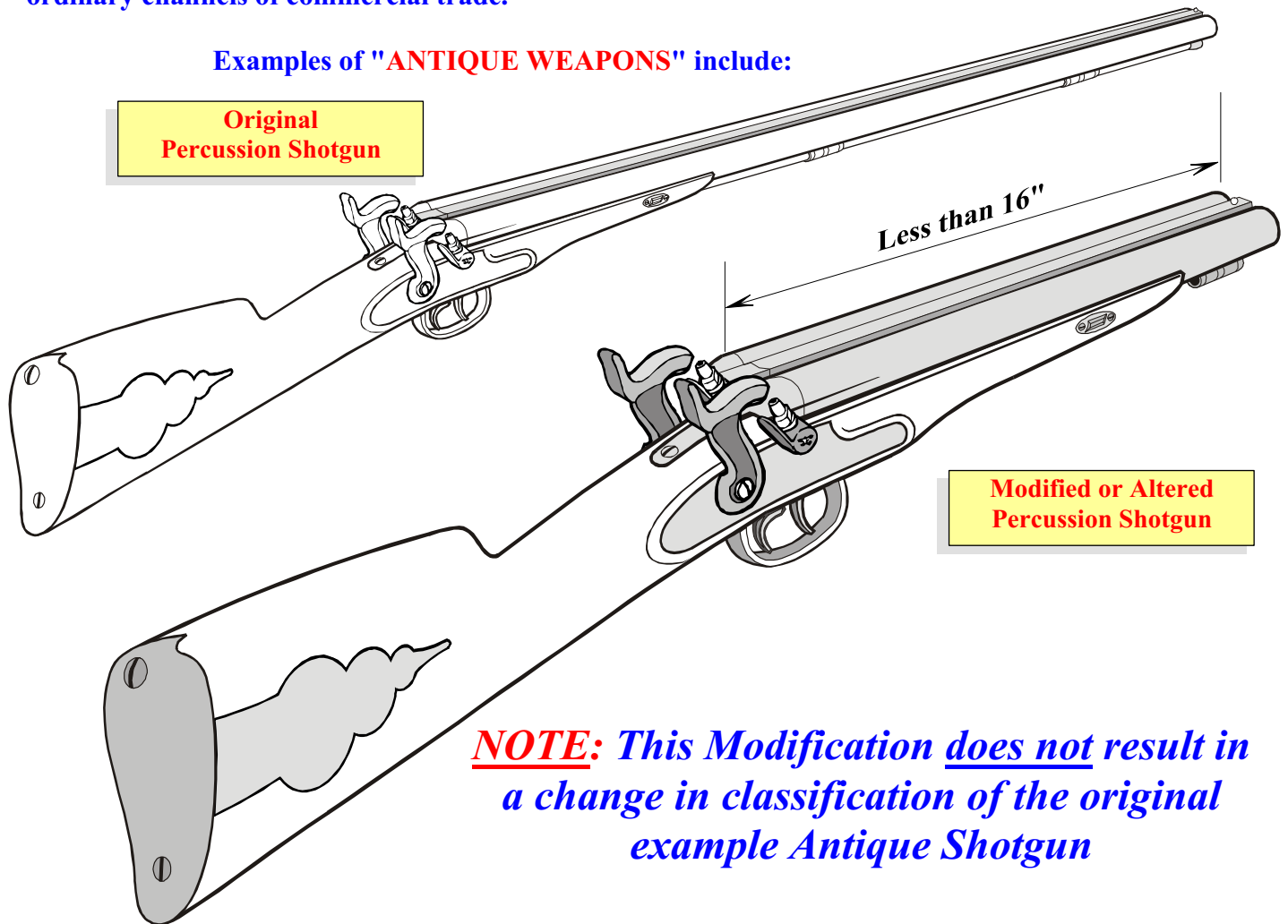
NOTE: This Modification does not result in a change in classification of the original example Muzzleloading Rifle

Determinants for Classification: Even though this weapon may exhibit a barrel shorter than 16 inches and/or an overall length less than 26 inches, it is not subject to NFA regulations governing those dimensions because it employs a primitive ignition system identified as an exempting characteristic.

Antique Firearm - 26 U.S.C., Chapter 53, § 5845(g)*For Purposes of the NATIONAL FIREARMS ACT*

The term "**ANTIQUE FIREARM**" means any firearm not designed or redesigned for using rim fire or conventional center fire ignition with fixed ammunition and manufactured in or before 1898 (including any matchlock, flintlock, percussion cap, or similar type of ignition system or replica thereof, whether actually manufactured before or after the year 1898) and also any firearm using fixed ammunition manufactured in or before 1898, for which ammunition is no longer manufactured in the United States and is not readily available in the ordinary channels of commercial trade.

Examples of "**ANTIQUE WEAPONS**" include:



NOTE: *This Modification does not result in a change in classification of the original example Antique Shotgun*

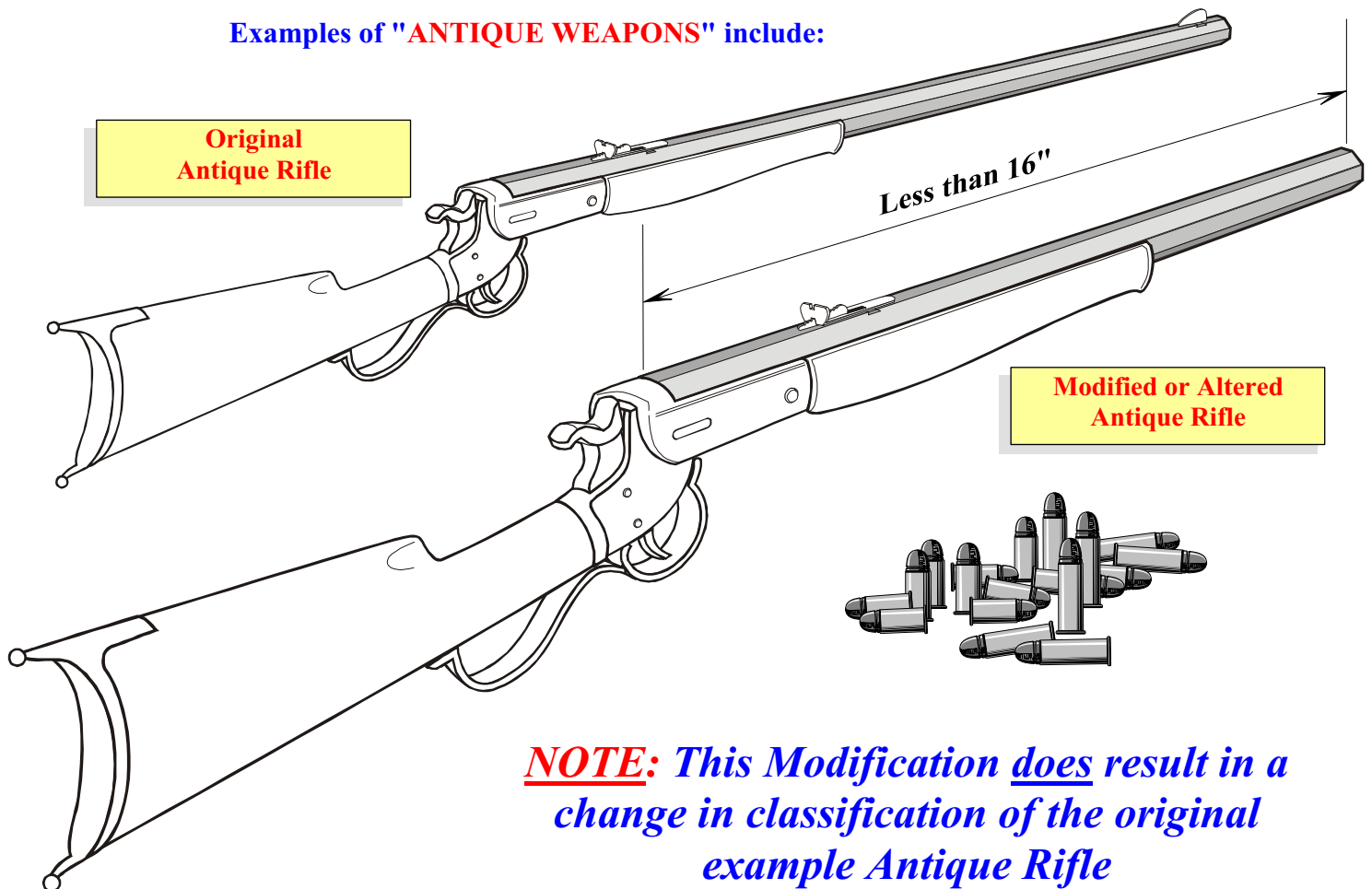
Determinants for Classification: Even though this weapon may exhibit a barrel shorter than 16 inches and/or an overall length less than 26 inches, it is not subject to NFA regulations governing those dimensions because it employs a primitive ignition system identified as an exempting characteristic.

Antique Firearm - 26 U.S.C., Chapter 53, § 5845(g)

For Purposes of the NATIONAL FIREARMS ACT

The term "**ANTIQUE FIREARM**" means any firearm not designed or redesigned for using rim fire or conventional center fire ignition with fixed ammunition and manufactured in or before 1898 (including any matchlock, flintlock, percussion cap, or similar type of ignition system or replica thereof, whether actually manufactured before or after the year 1898) and also any firearm using fixed ammunition manufactured in or before 1898, for which ammunition is no longer manufactured in the United States and is not readily available in the ordinary channels of commercial trade.

Examples of "**ANTIQUE WEAPONS**" include:



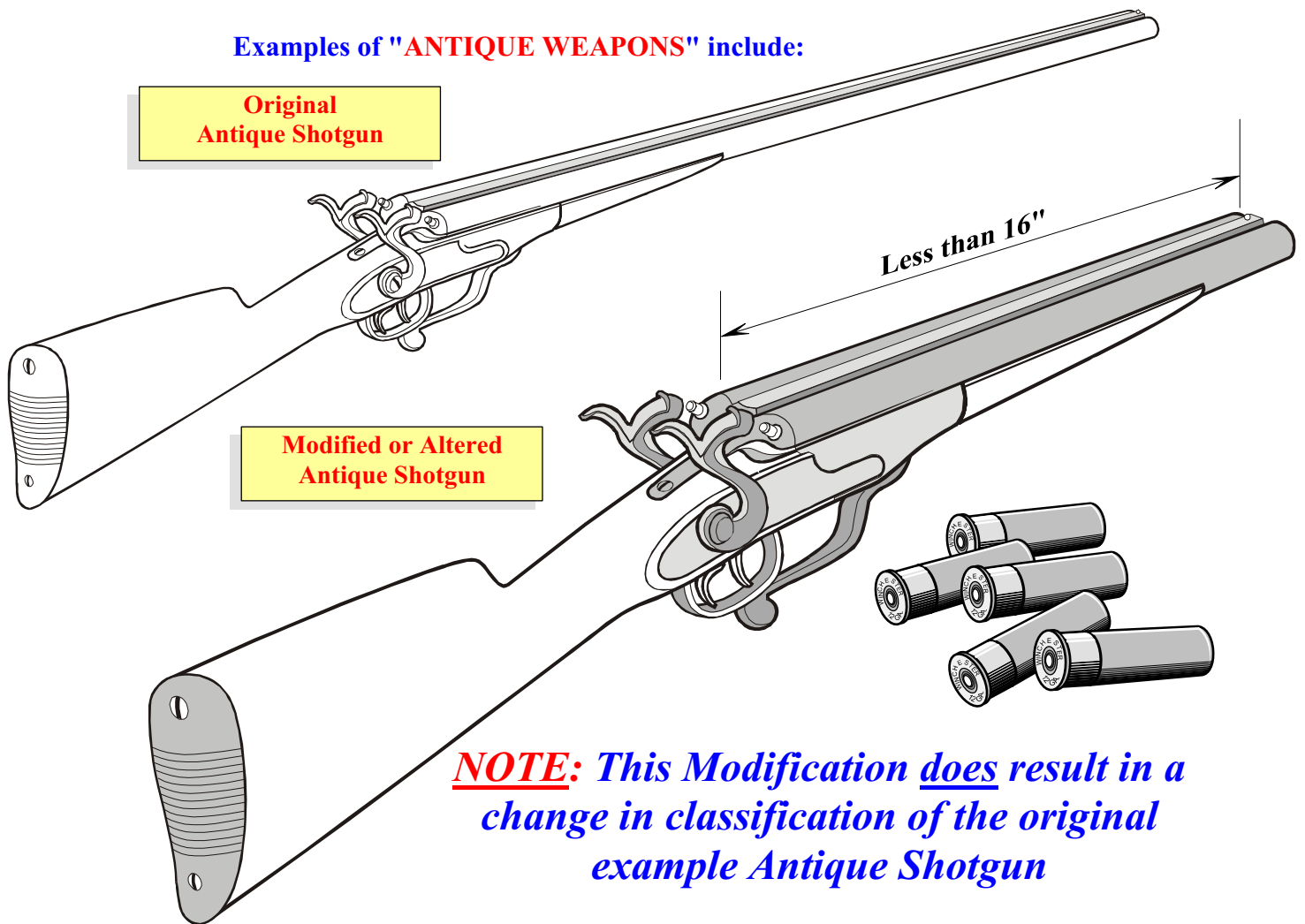
NOTE: *This Modification does result in a change in classification of the original example Antique Rifle*

Determinants for Classification: Since this weapon exhibits a barrel shorter than 16 inches, it is subject to NFA regulations governing those dimensions because it employs a conventional ignition system and uses fixed ammunition that is readily available through ordinary channels of commercial trade. Consequently, this weapon would be classified as a "Short-barreled Shotgun" and therefore all NFA regulations apply.

Antique Firearm - 26 U.S.C., Chapter 53, § 5845(g)*For Purposes of the NATIONAL FIREARMS ACT*

The term "**ANTIQUE FIREARM**" means any firearm not designed or redesigned for using rim fire or conventional center fire ignition with fixed ammunition and manufactured in or before 1898 (including any matchlock, flintlock, percussion cap, or similar type of ignition system or replica thereof, whether actually manufactured before or after the year 1898) and also any firearm using fixed ammunition manufactured in or before 1898, for which ammunition is no longer manufactured in the United States and is not readily available in the ordinary channels of commercial trade.

Examples of "**ANTIQUE WEAPONS**" include:



NOTE: *This Modification does result in a change in classification of the original example Antique Shotgun*

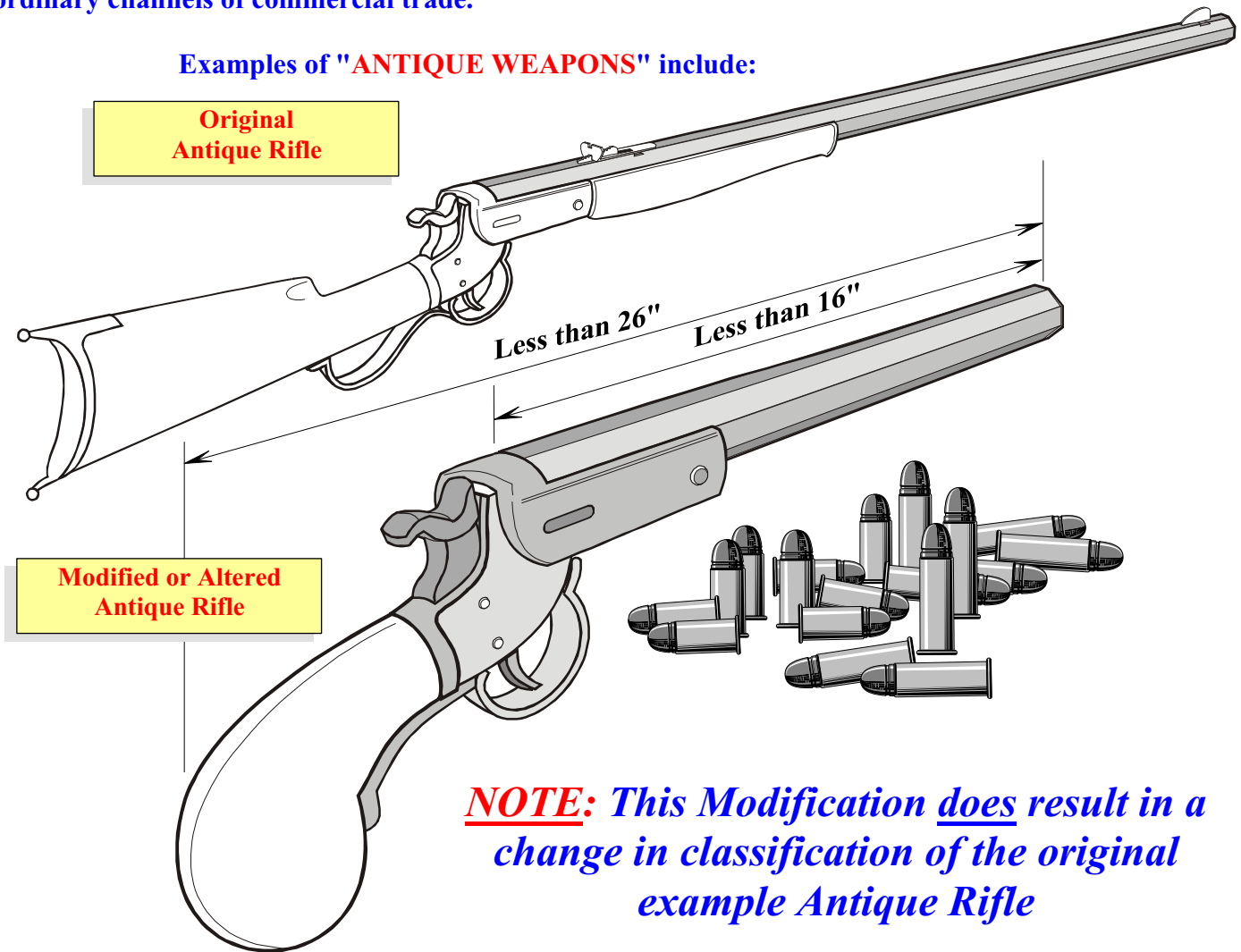
Determinants for Classification: Since this weapon exhibits a barrel shorter than 16 inches, it is subject to NFA regulations governing Minimum dimensions because it employs a conventional ignition system and uses fixed ammunition that is readily available through ordinary channels of commercial trade. Consequently, this weapon would be classified as a "Short-barreled Shotgun" and therefore all NFA regulations apply.

Antique Firearm - 26 U.S.C., Chapter 53, § 5845(g)

For Purposes of the NATIONAL FIREARMS ACT

The term "**ANTIQUÉ FIREARM**" means any firearm not designed or redesigned for using rim fire or conventional center fire ignition with fixed ammunition and manufactured in or before 1898 (including any matchlock, flintlock, percussion cap, or similar type of ignition system or replica thereof, whether actually manufactured before or after the year 1898) and also any firearm using fixed ammunition manufactured in or before 1898, for which ammunition is no longer manufactured in the United States and is not readily available in the ordinary channels of commercial trade.

Examples of "**ANTIQUÉ WEAPONS**" include:



NOTE: *This Modification does result in a change in classification of the original example Antique Rifle*

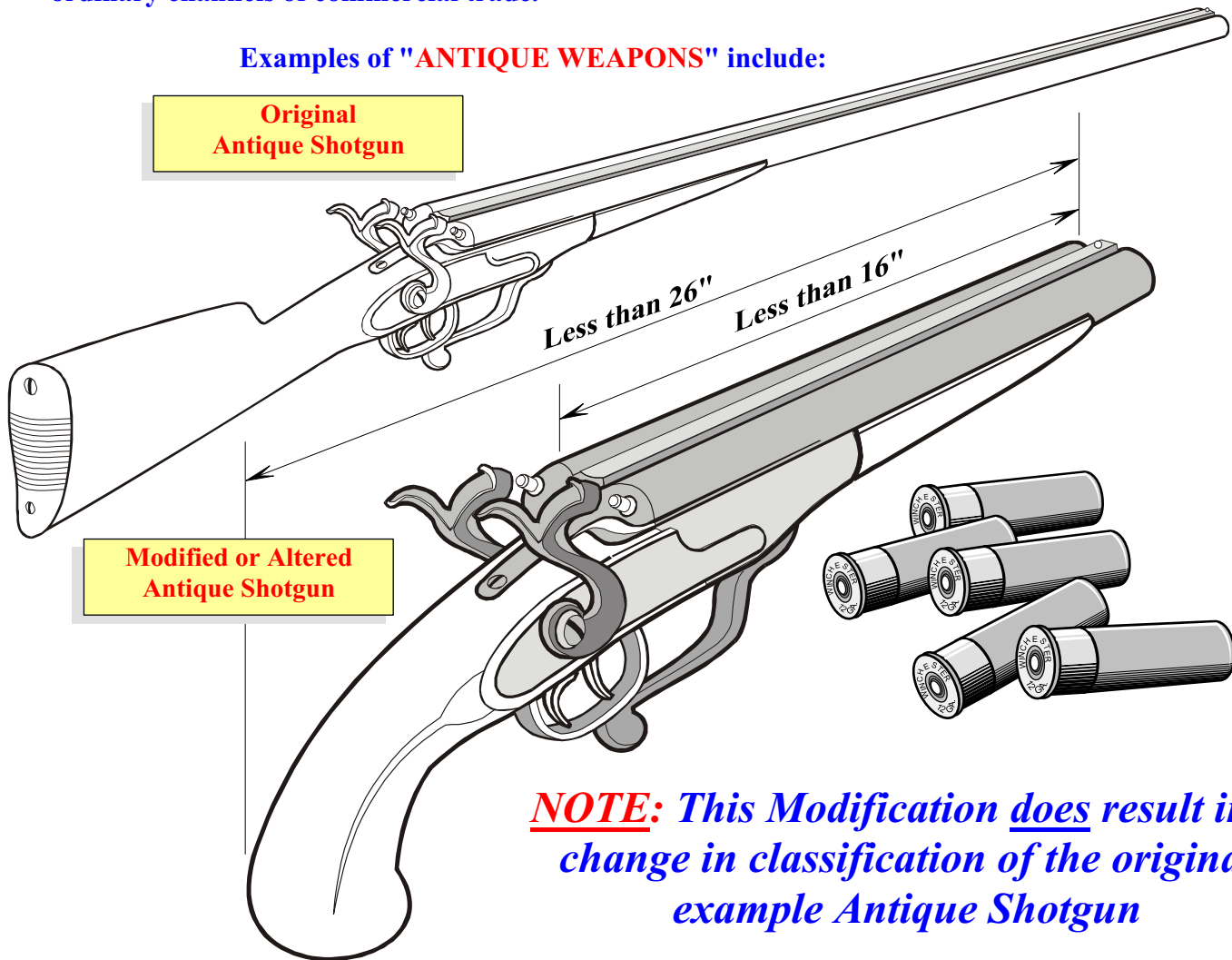
Determinants for Classification: Since this weapon exhibits a barrel shorter than 16 inches and is less than 26 inches in overall length, it is subject to NFA regulations governing those dimensions because it employs a conventional ignition system and uses fixed ammunition that is readily available through ordinary channels of commercial trade. Consequently, this firearm would be classified as a "Weapon made from a Rifle" and therefore all NFA regulations apply.

Antique Firearm - 26 U.S.C., Chapter 53, § 5845(g)

For Purposes of the NATIONAL FIREARMS ACT

The term "**ANTIQUÉ FIREARM**" means any firearm not designed or redesigned for using rim fire or conventional center fire ignition with fixed ammunition and manufactured in or before 1898 (including any matchlock, flintlock, percussion cap, or similar type of ignition system or replica thereof, whether actually manufactured before or after the year 1898) and also any firearm using fixed ammunition manufactured in or before 1898, for which ammunition is no longer manufactured in the United States and is not readily available in the ordinary channels of commercial trade.

Examples of "**ANTIQUÉ WEAPONS**" include:

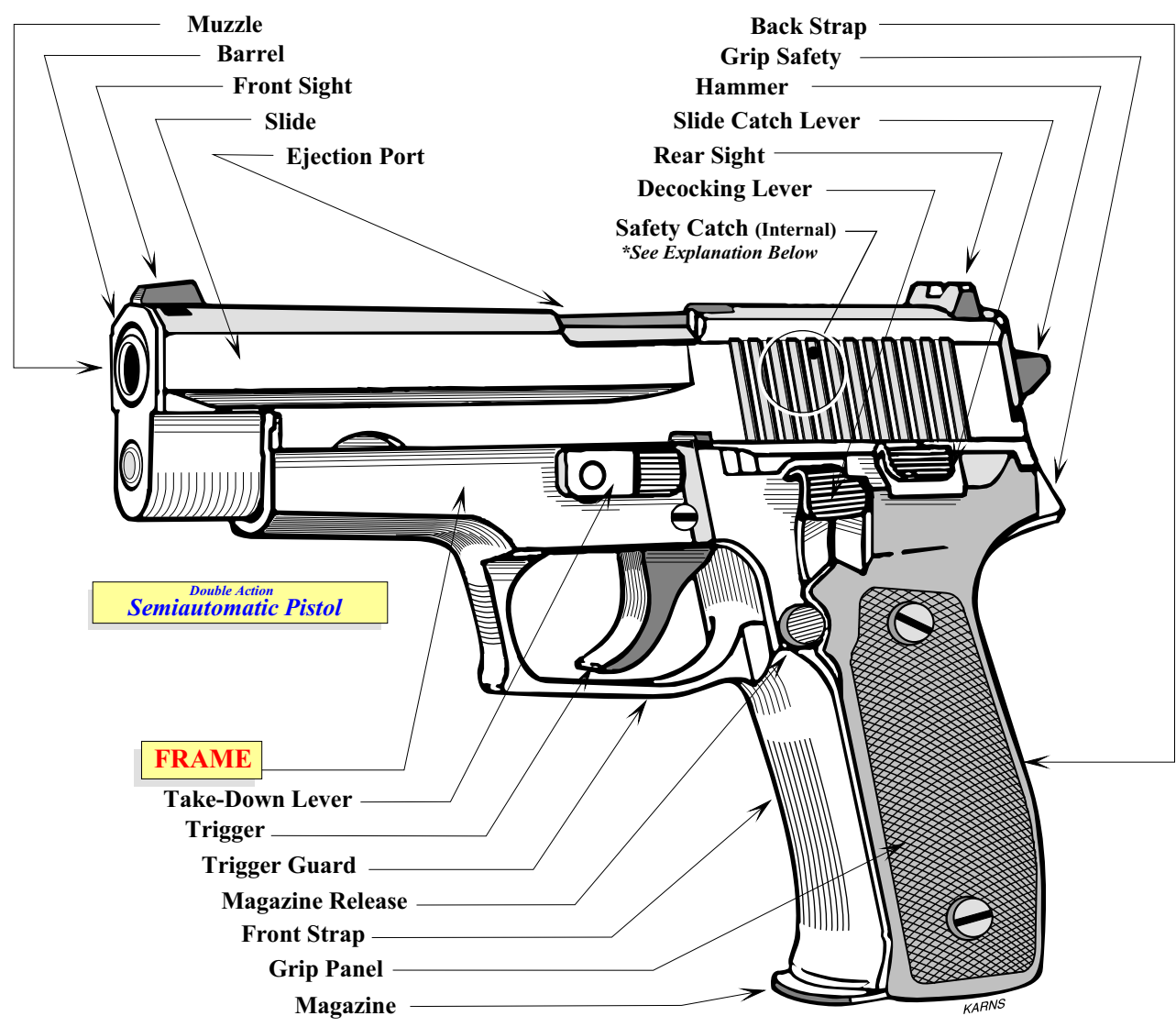


NOTE: This Modification does result in a change in classification of the original example Antique Shotgun

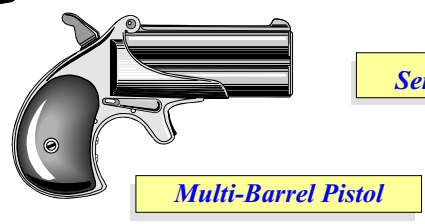
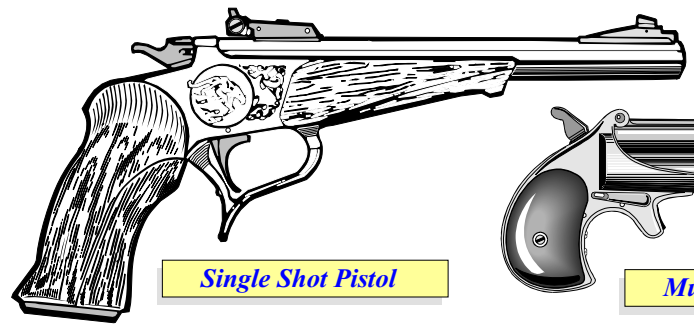
Determinants for Classification: Since this weapon exhibits a barrel shorter than 16 inches and is less than 26 inches in overall length, it is subject to NFA regulations governing those dimensions because it employs a conventional ignition system and uses fixed ammunition that is readily available through ordinary channels of commercial trade. Consequently, this firearm would be classified as a "Weapon made from a Shotgun" and therefore all NFA regulations apply.

HANDGUN - Pistol

NOTE: This illustration shows the primary characteristics exhibited in the Pistol category. Since pistol configurations differ significantly, various models in this classification may exhibit any of the illustrated components in a revised configuration but not necessarily all components shown will be incorporated in any one given design.

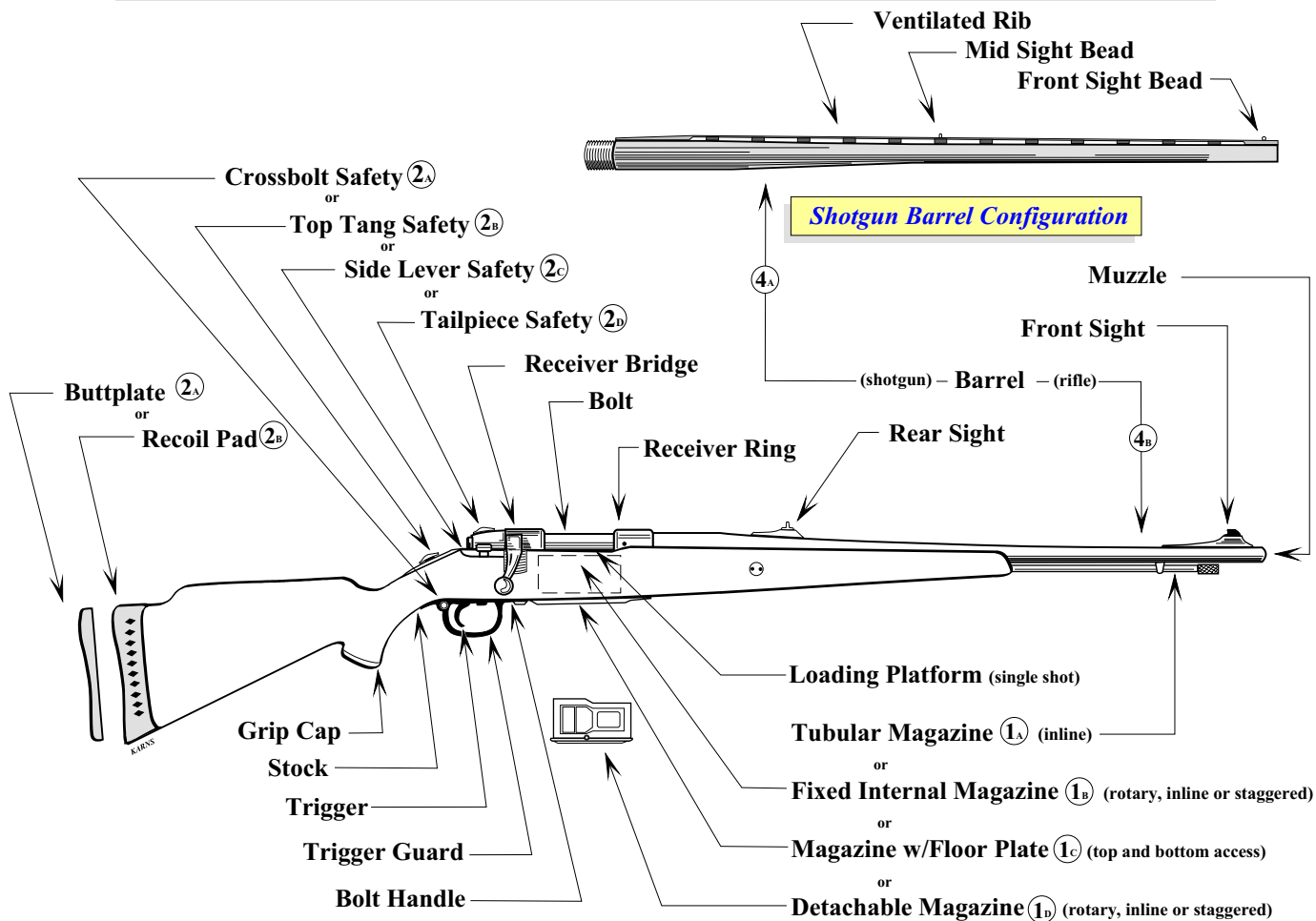


* The Safety Catch is an internal design and locks the firing pin until the trigger is intentionally pulled which automatically releases the safety mechanism to initiate the firing sequence.



Bolt Action

NOTE: The Bolt Action is utilized in the design and function of rifles, shotguns and pistols including single shot and magazine fed repeating models. This illustration exhibits the primary characteristics of a rifle but most component parts are applicable in a revised configuration



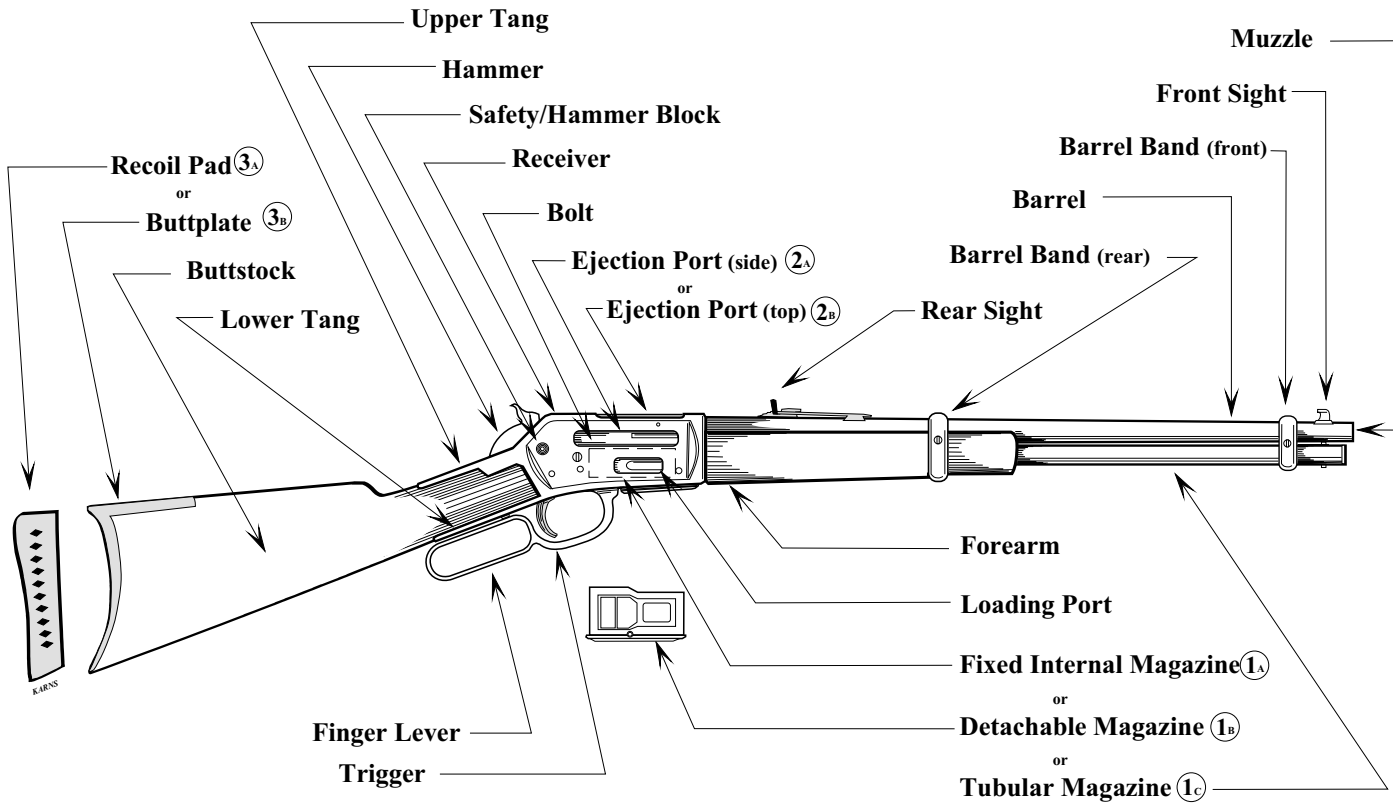
GROUP CALLOUT SCHEDULE*

- Group ①** - Four magazine configurations available on the repeating models of this type action.
 A - Tubular, B - Fixed Internal, C - Bottom Access Floorplate, D - Detachable
- Group ②** - Four various safety configurations which may appear on the available models.
 A - Crossbolt, B - Top Tang, C - Side Lever, D - Tailpiece Safety
- Group ③** - Two buttstock appointments available in this group.
 A - Butt Plate, B - Recoil Pad
- Group ④** - Two barrel configurations which may appear on this type action.
 A - Rifled, B - Smooth Bore

** Group callouts identify various configurations of a specific component which may be incorporated in the function of the various models employing the bolt action in their design. However, only one type component from each callout group will appear on any given subject firearm.*

Lever Action

NOTE: The Lever Action is utilized in the design and function of rifles, shotguns and pistols. This illustration exhibits the primary characteristics of a rifle. Although most component parts are applicable in a revised configuration to both the shotgun and pistol categories, relatively few representative models exist in those categories.



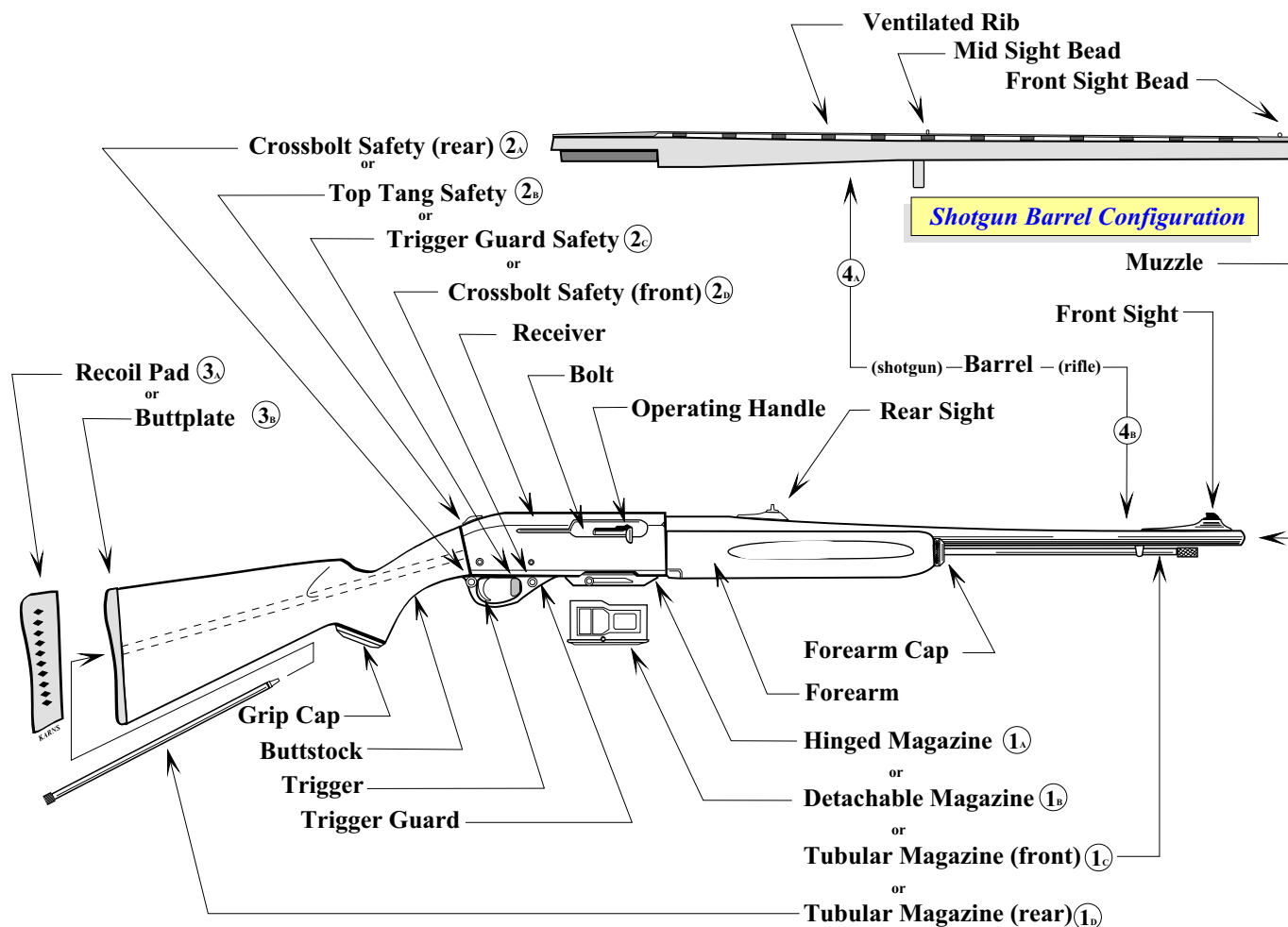
GROUP CALLOUT SCHEDULE*

- Group ①** - Three magazine configurations available on this type action.
 A - Fixed Internal (rotary), B - Detachable (inline or staggered feed), C - Tubular
- Group ②** - Two ejection port configurations are available in this group.
 A - Side Port Ejection, B - Top Port Ejection
- Group ③** - Two buttstock appointments appear on the available models.
 A - Recoil Pad, B - Buttplate

* Group callouts identify various configurations of a specific component which may be incorporated in the function of the various models employing the lever action in their design. However, only one type component or configuration from each callout group will appear on any given subject firearm.

Self-loading Action (*Semiautomatic*)

NOTE: The Self-loading Action is utilized in the design and function of rifles, shotguns and pistols. This illustration exhibits the primary characteristics of a rifle but most component parts are applicable in a revised configuration to both the shotgun and pistol categories. The pistol configuration does differ significantly (*see separate illustration*).



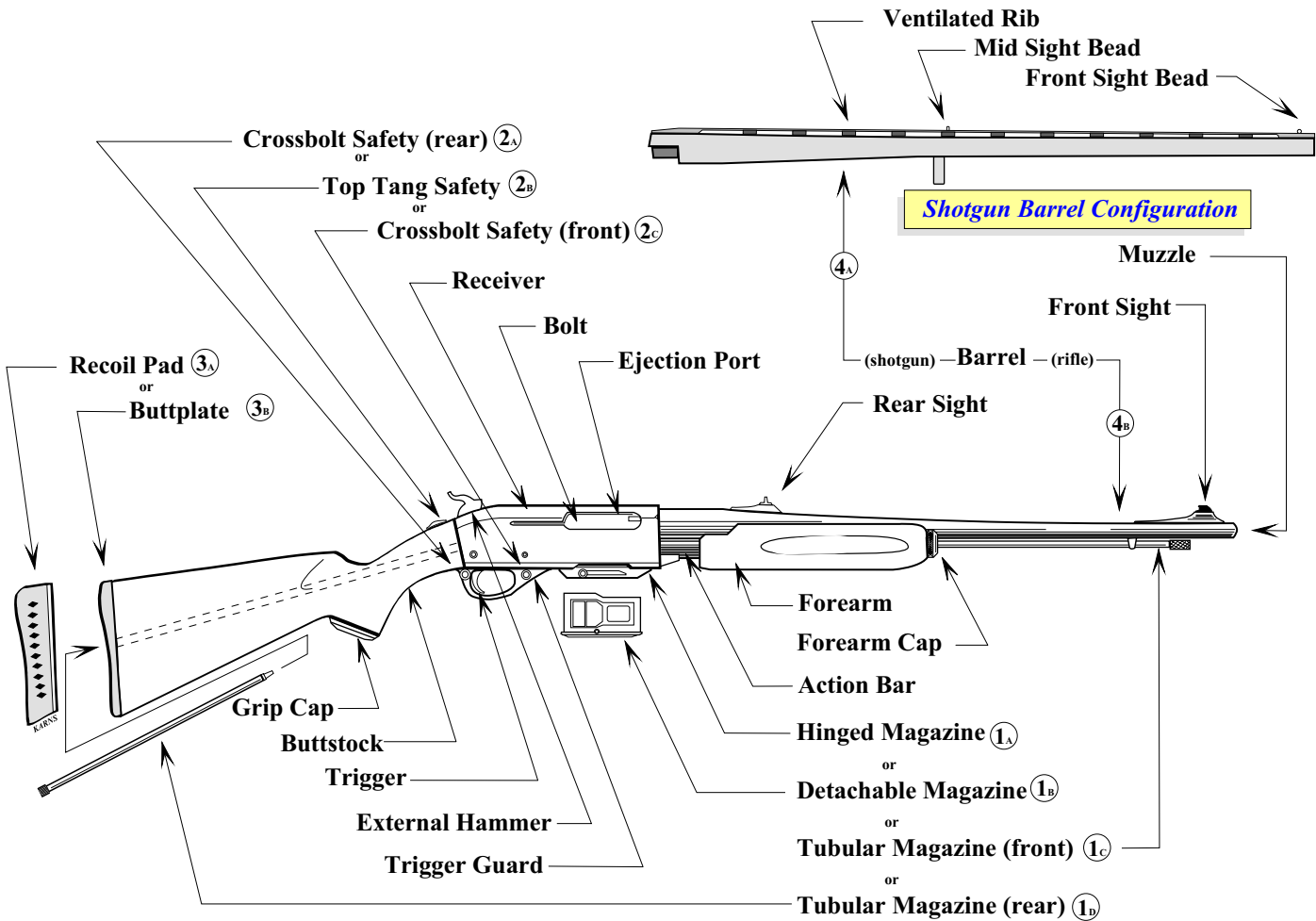
GROUP CALLOUT SCHEDULE*

- Group ①** - Three magazine configurations available on this type action.
 A - Hinged, B - Detachable, C & D - Tubular (Front and Rear)
- Group ②** - Four various safety configurations which may appear on the available models.
 A - Crossbolt (front or rear), B - Top Tang, C - Trigger Guard
- Group ③** - Two buttstock appointments available in this group.
 A - Recoil Pad, B - Buttplate
- Group ④** - Two barrel configurations which may appear on this type action.
 A - Smooth Bore, B - Rifled

** Group callouts identify various configurations of a specific component which may be incorporated in the function of the various models employing the autoloading action in their design. However, only one type component from each callout group will appear on any given subject firearm.*

Slide/Pump Action

NOTE: The Slide/Pump Action is utilized in the design and function of rifles and shotguns. This illustration exhibits the primary characteristics of a rifle but most component parts are applicable in a revised configuration to the Pump/Slide Shotgun category.



GROUP CALLOUT SCHEDULE*

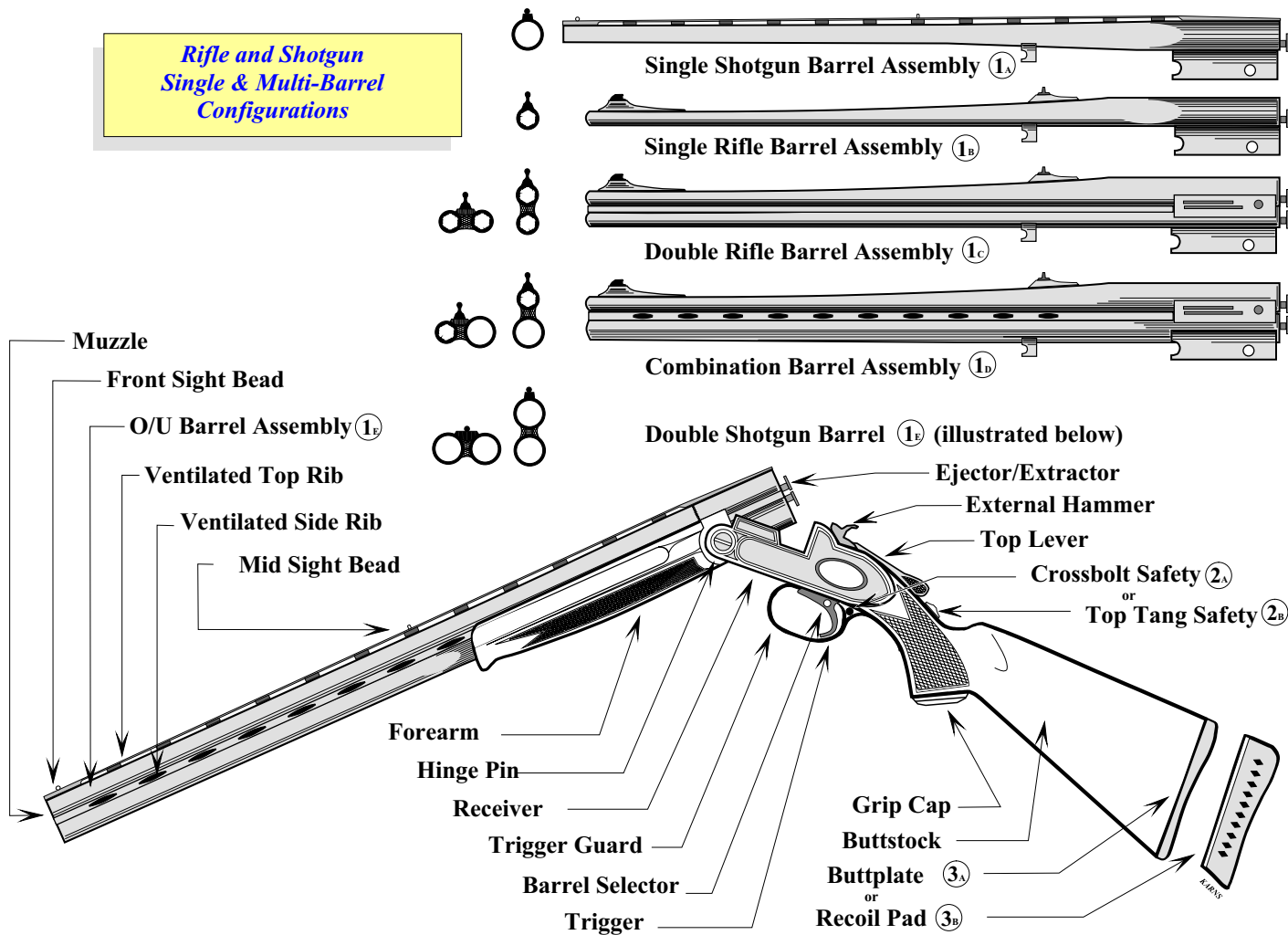
- Group ① - Three magazine configurations available on this type action.
A - Hinged, B - Detachable, C & D - Tubular (Front and Rear)
- Group ② - Four various safety configurations which may appear on the available models.
A - Crossbolt (front or rear), B - Top Tang
- Group ③ - Two buttstock appointments available in this group.
A - Recoil Pad, B - Buttplate
- Group ④ - Two barrel configurations which may appear on this type action.
A - Smooth Bore, B - Rifled

* Group callouts identify various configurations of a specific component that may be incorporated in the function of the various models employing the pump/slide action in their design. However, only one type component from each callout group will appear on any given subject firearm.

Top Break Action

NOTE: The Top Break Action is utilized in the design and function of rifles, shotguns and pistols. This illustration exhibits the primary characteristics of a shotgun but most component parts are applicable in a revised configuration to both the rifle and pistol categories.

*Rifle and Shotgun
Single & Multi-Barrel
Configurations*



GROUP CALLOUT SCHEDULE*

- Group ① - Various barrel configurations which may appear on this type action.**
A - Single Shotgun, B - Single Rifle, C - Double Rifle, D - Combination, E - Double Shotgun
- Group ② - Two safety configurations which may appear on the available models.**
A - Crossbolt, B - Top Tang
- Group ③ - Two buttstock appointments available in this group.**
A - Buttplate, B - Recoil Pad

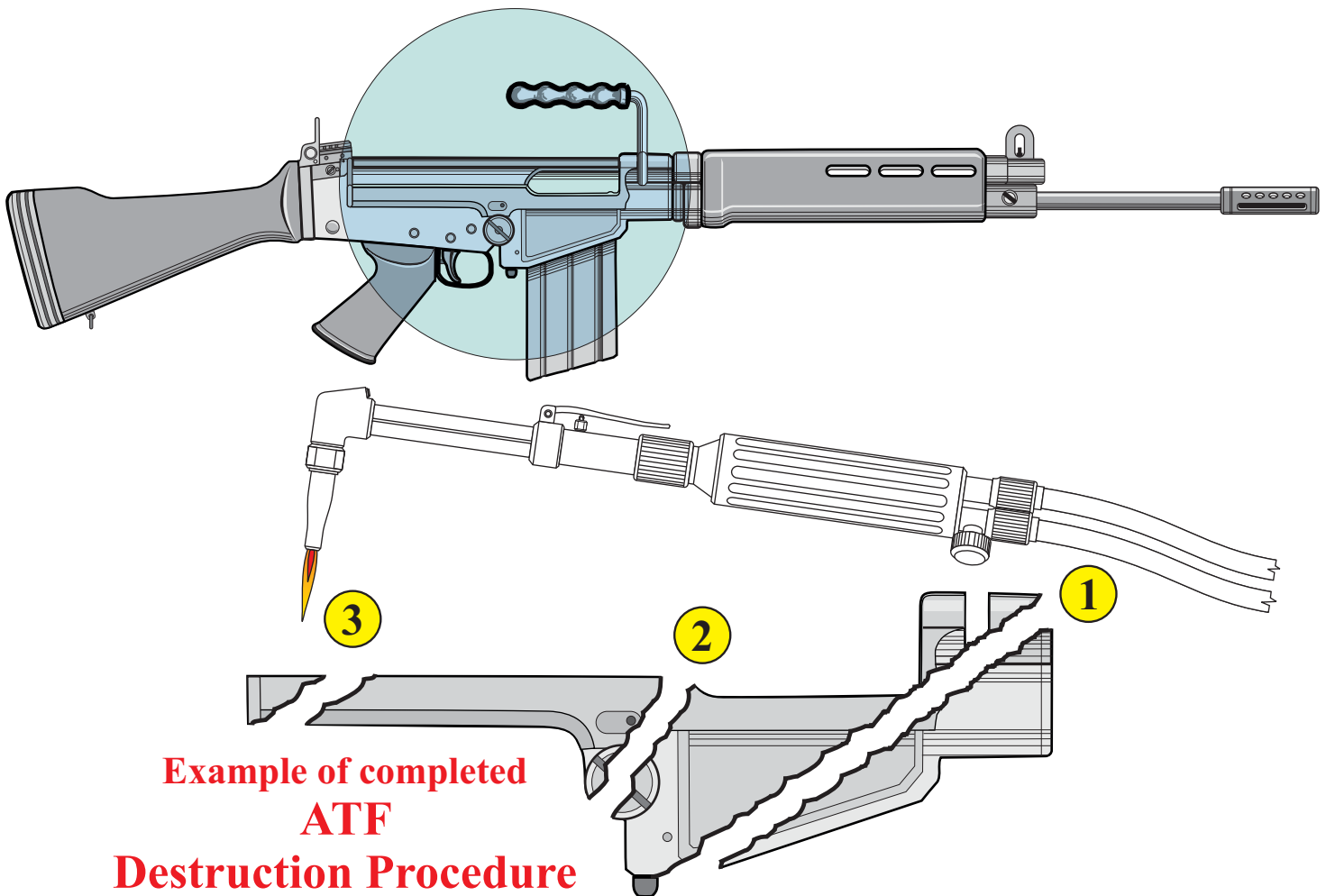
* Group callouts identify various configurations of a specific component which may be incorporated in the function of the various models employing the break open action in their design. However, only one type component from each callout group will appear on any given subject firearm.

OVERVIEW - Machinegun Destruction

NOTICE

Except as provided in **Title 26 United States Code (U.S.C.) Chapter 53, § 5844** it is generally unlawful to import a machinegun into the United States for unrestricted sale. However, machineguns that are properly destroyed may be imported. The **Bureau of Alcohol, Tobacco, Firearms and Explosives (ATF)** routinely receives inquiries regarding the acceptable method of destroying machineguns.

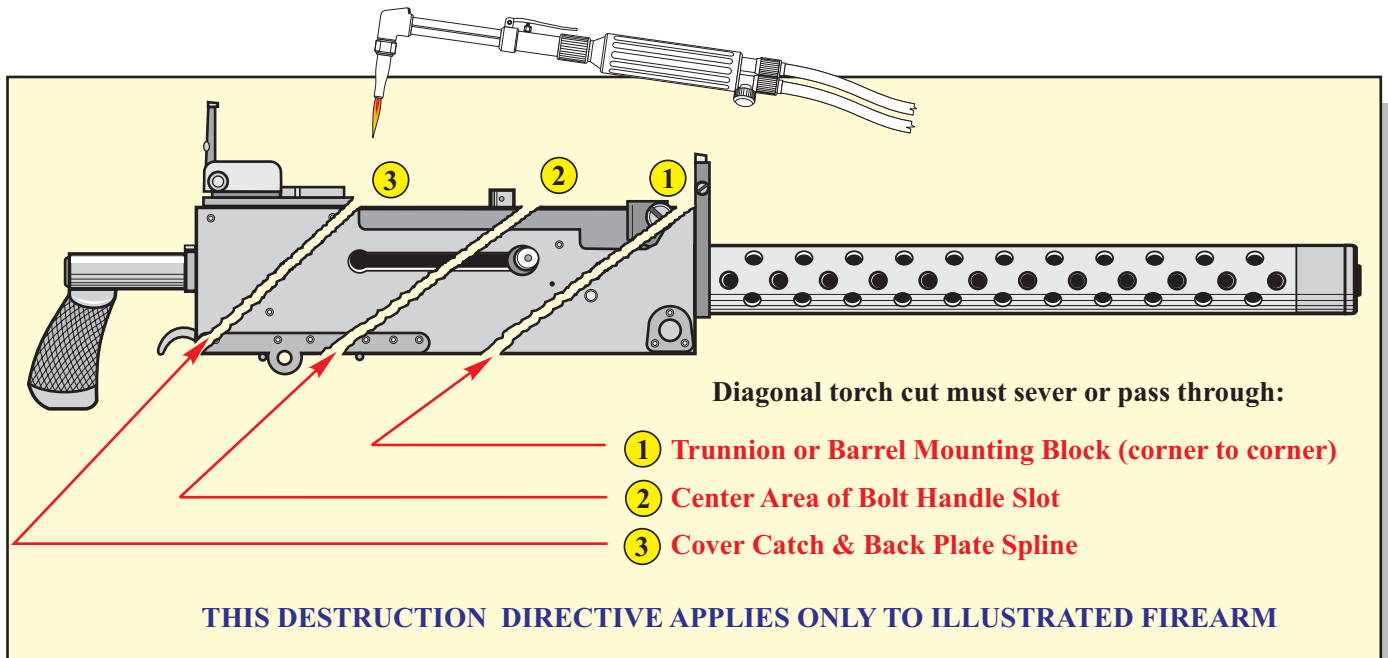
Subsequent pages in this section will provide importers with several illustrations on **ATF destruction procedures**. **ATF Ruling 2003-1 through 2003-4**, which provide further guidance on the ATF approved method of destruction, can be found in appendix "F". Additional illustrations and guidelines for firearms not addressed in this Guidebook can be obtained from ATF's **Firearms Technology Branch**.



This illustration shows the receiver of the subject example firearm (FN/FAL) cut in the approved manner as defined in ATF Destruction Procedures.

For further guidance on specific models, please refer to additional illustrations in appendix "F" of this Guidebook or contact ATF's Firearms Technology Branch.

Browning M1919 Type Firearm



The purpose of this procedure is to destroy the receiver or frame in a manner that will prevent its function and future use as a firearm. A proper method of destroying this firearm is to cut the receiver into separate pieces as follows:

All cutting must be done with a cutting torch having a tip of sufficient size to displace at least 1/4 inch of material at each location.

- Each cut must completely sever the receiver in the area indicated by the diagonal lines.
- The receiver must be completely severed in each area indicated with a diagonal torch cut.
- Cutting by means of a bandsaw or cut-off wheel does not ensure destruction.

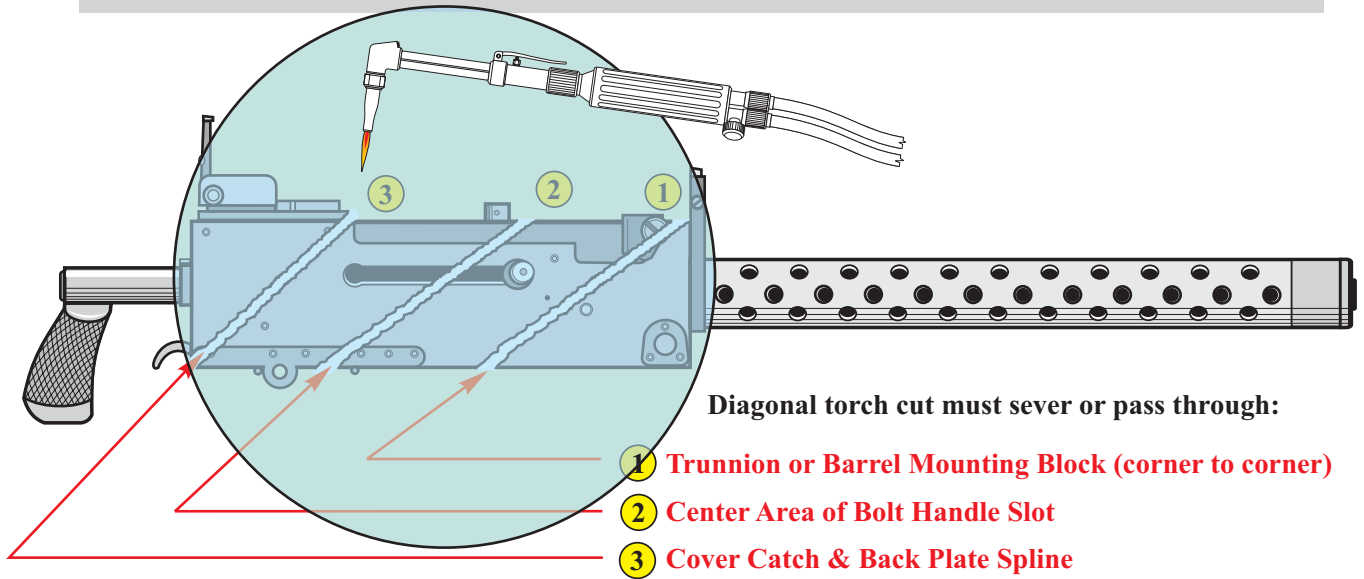
NOTE: *Alternative methods of destruction defining the proposed procedure must be submitted in writing to the ATF Firearms Technology Branch for review and approval prior to implementation.*

[Click Here to view detail of Destroyed Receiver](#)

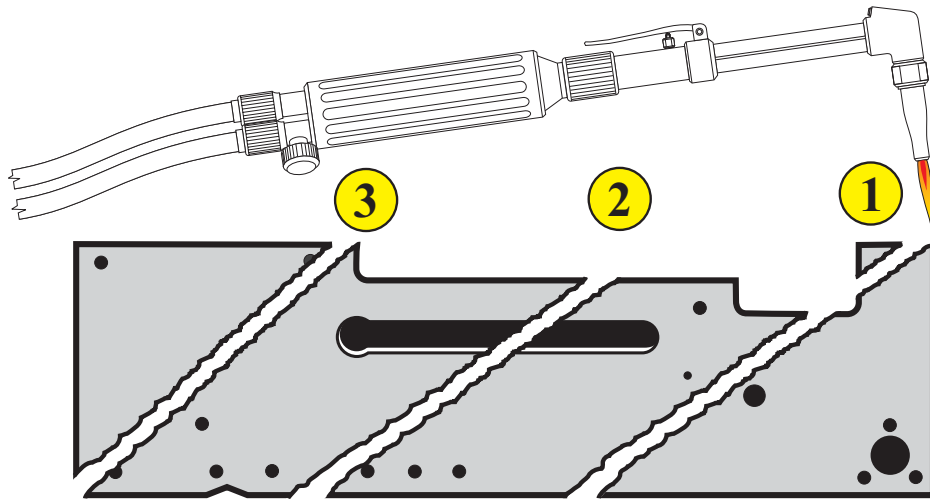
[Link to ATF RuI. 2003-1](#)
26 USC 5844, 18 USC 922(o), 22 USC 2778

Browning M1919 Type Firearm

NOTE: The purpose of this procedure is to destroy the receiver or frame in a manner that will prevent its function and future use as a firearm. A proper method of destroying this firearm is to cut the receiver into separate pieces as follows:



THIS DESTRUCTION DIRECTIVE APPLIES ONLY TO ILLUSTRATED FIREARM

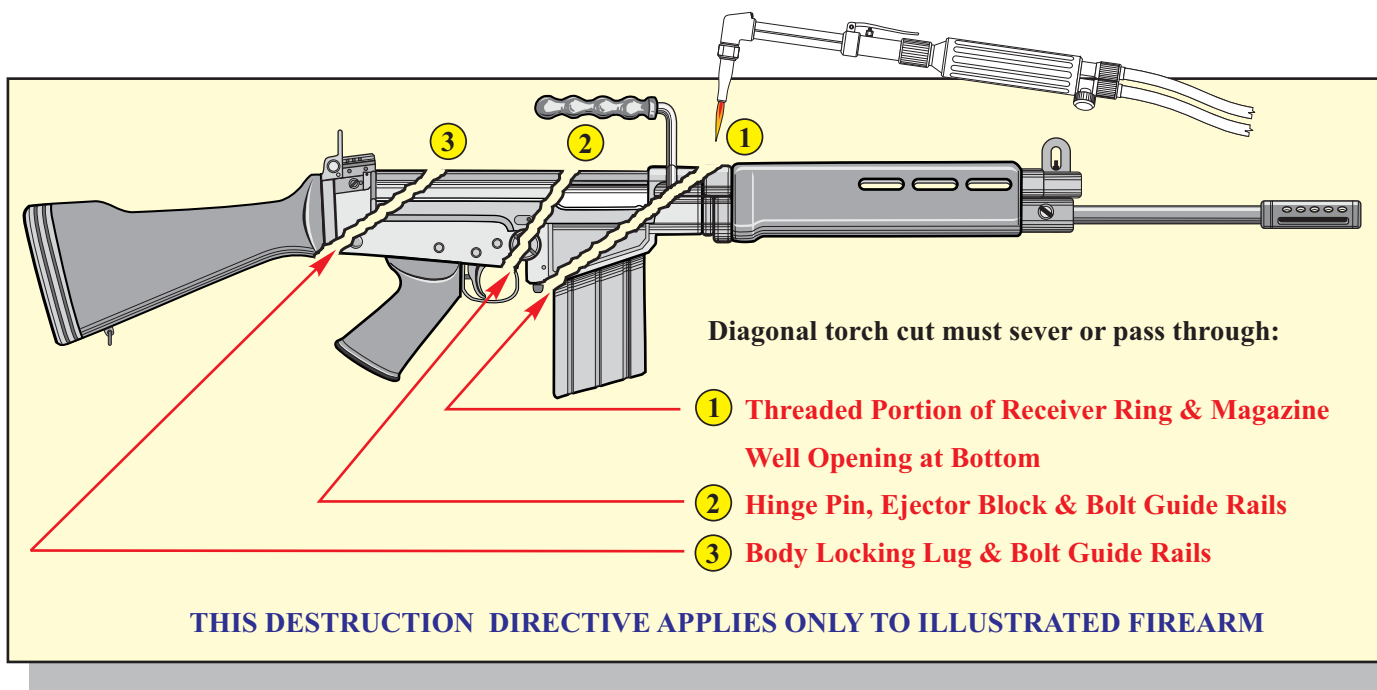


**This illustrated view shows the
Destroyed Receiver
of the subject firearm.**

[Back to Previous Page](#)

[Link to ATF Rul. 2003-1](#)
26 USC 5844, 18USC 922(o), 22 USC 2778

FN FAL Type Firearm



The purpose of this procedure is to destroy the receiver or frame in a manner that will prevent its function and future use as a firearm. A proper method of destroying this firearm is to cut the receiver into separate pieces as follows:

All cutting must be done with a cutting torch having a tip of sufficient size to displace at least 1/4 inch of material at each location.

- Each cut must completely sever the receiver in the area indicated by the diagonal lines.
- The receiver must be completely severed in each area indicated with a diagonal torch cut.
- Cutting by means of a bandsaw or cut-off wheel does not ensure destruction.

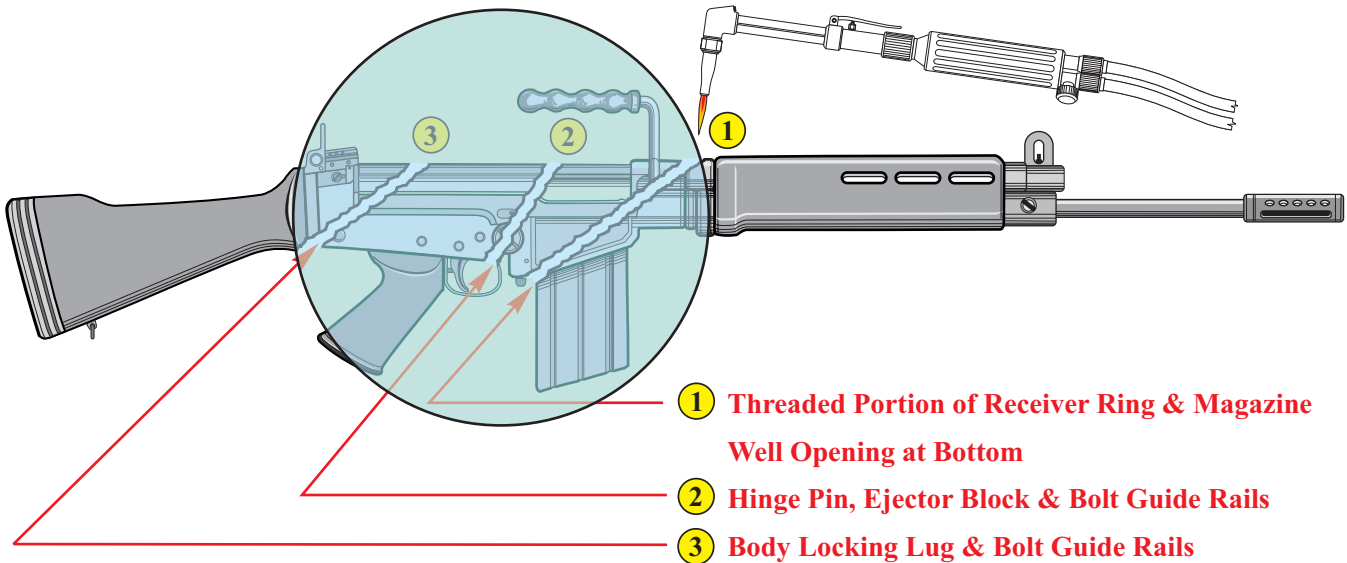
NOTE: *Alternative methods of destruction defining the proposed procedure must be submitted in writing to the ATF Firearms Technology Branch for review and approval prior to implementation.*

[Click Here to view detail of Destroyed Receiver](#)

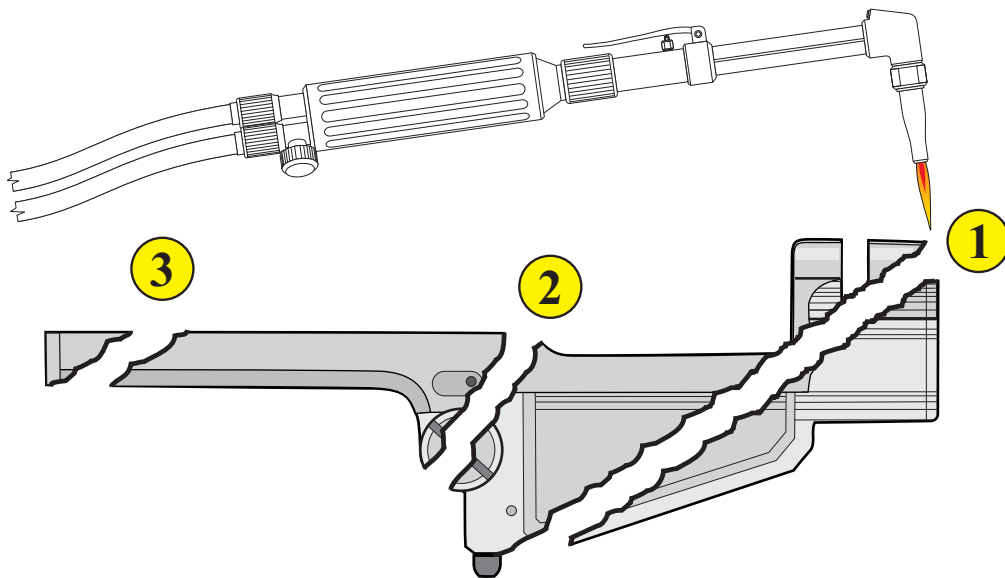
[Link to ATF Rul. 2003-2](#)
26 USC 5844, 18USC 922(i), 22 USC 2778

FN FAL Type Firearm

NOTE: The purpose of this procedure is to destroy the receiver or frame in a manner that will prevent its function and future use as a firearm. A proper method of destroying this firearm is to cut the receiver into separate pieces as follows:



THIS DESTRUCTION DIRECTIVE APPLIES ONLY TO ILLUSTRATED FIREARM



This illustrated view shows the Destroyed Receiver of the subject firearm.

[Back to Previous Page](#)

[Link to ATF Rul. 2003-2](#)
26 USC 5844, 18 USC 922(e), 22 USC 2778

Heckler & Koch G3 Type Firearm



The purpose of this procedure is to destroy the receiver or frame in a manner that will prevent its function and future use as a firearm. A proper method of destroying this firearm is to cut the receiver into separate pieces as follows:

All cutting must be done with a cutting torch having a tip of sufficient size to displace at least 1/4 inch of material at each location.

- Each cut must completely sever the receiver in the area indicated by the diagonal lines.
- The receiver must be completely severed in each area indicated with a diagonal torch cut.
- Cutting by means of a bandsaw or cut-off wheel does not ensure destruction.

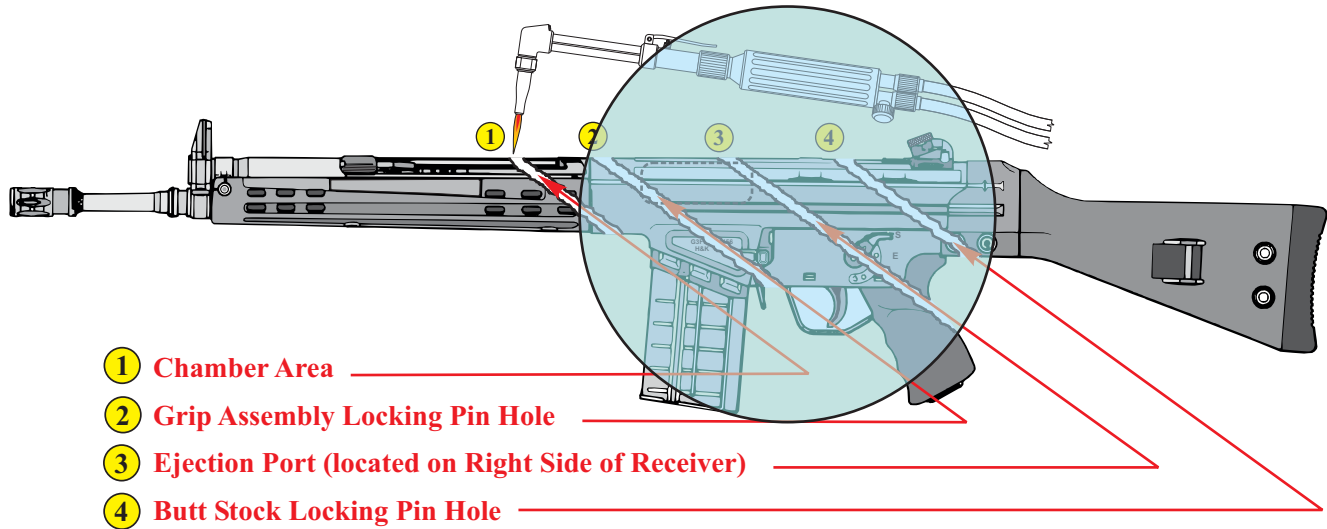
NOTE: *Alternative methods of destruction defining the proposed procedure must be submitted in writing to the ATF Firearms Technology Branch for review and approval prior to implementation.*

[Click Here to view detail of Destroyed Receiver](#)

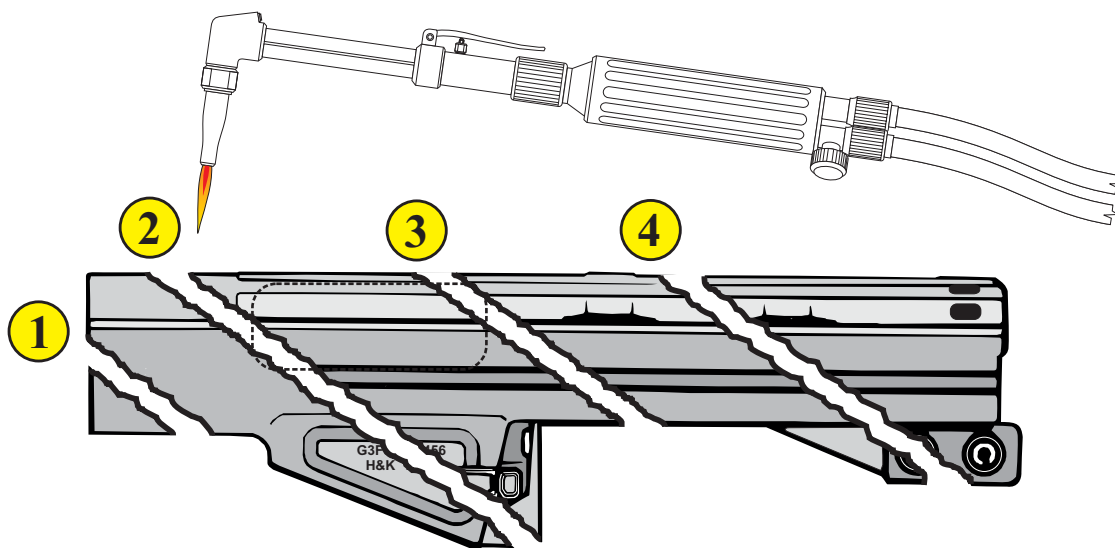
[Link to ATF Rul. 2003-3](#)
26 USC 5844, 18 USC 922(o), 22 USC 2778

Heckler & Koch G3 Type Firearm

NOTE: The purpose of this procedure is to destroy the receiver or frame in a manner that will prevent its function and future use as a firearm. A proper method of destroying this firearm is to cut the receiver into separate pieces as follows:



THIS DESTRUCTION DIRECTIVE APPLIES ONLY TO ILLUSTRATED FIREARM

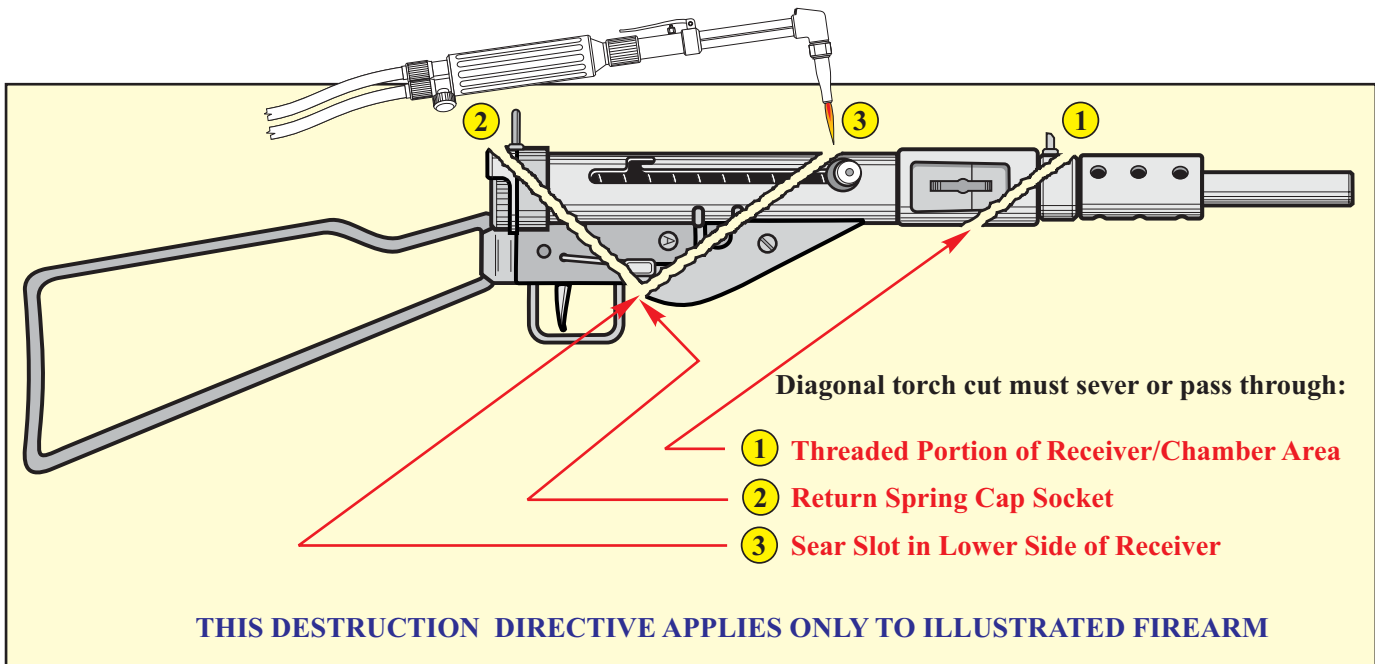


This illustrated view shows the Destroyed Receiver of the subject firearm

[Back to Previous Page](#)

[Link to ATF Rul. 2003-3](#)
26 USC 5844, 18 USC 922(o), 22 USC 2778

Sten Type Firearm



The purpose of this procedure is to destroy the receiver or frame in a manner that will prevent its function and future use as a firearm. A proper method of destroying this firearm is to cut the receiver into separate pieces as follows:

All cutting must be done with a cutting torch having a tip of sufficient size to displace at least 1/4 inch of material at each location.

- Each cut must completely sever the receiver in the area indicated by the diagonal lines.
- The receiver must be completely severed in each area indicated with a diagonal torch cut.
- Cutting by means of a bandsaw or cut-off wheel does not ensure destruction.

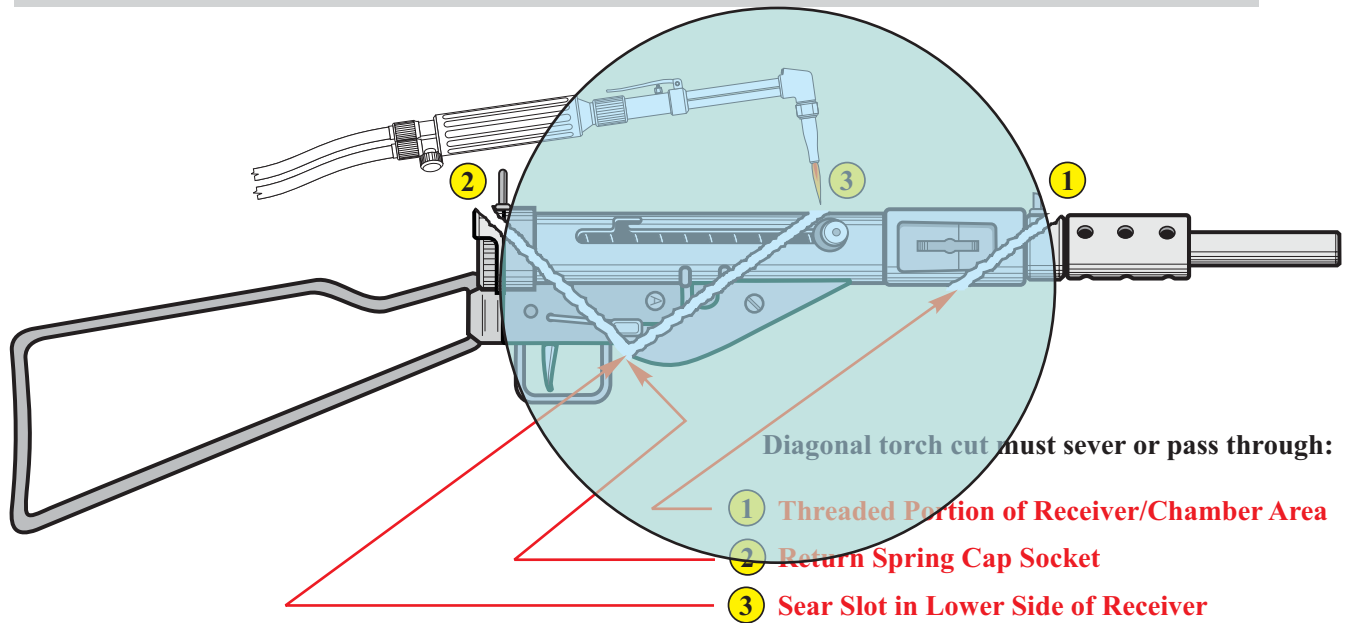
NOTE: *Alternative methods of destruction defining the proposed procedure must be submitted in writing to the ATF Firearms Technology Branch for review and approval prior to implementation.*

[Click Here to view detail of Destroyed Receiver](#)

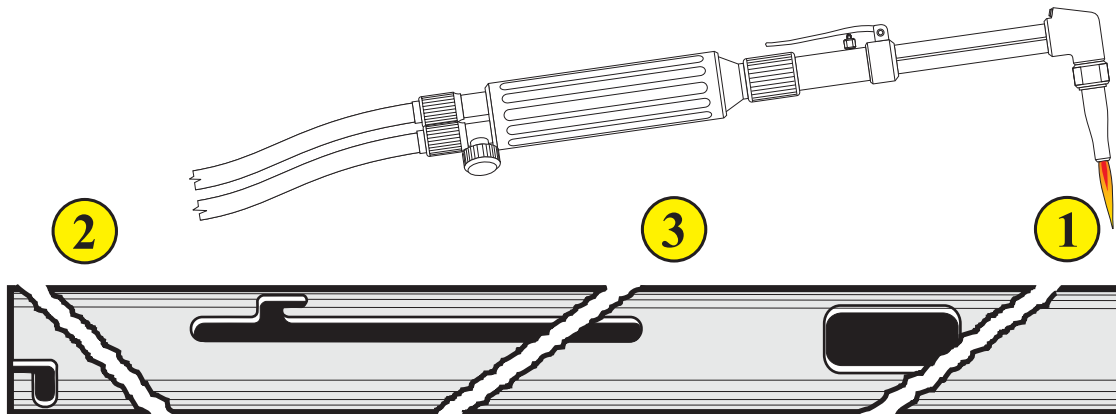
[Link to ATF RuI. 2003-4](#)
26 USC 5844, 18 USC 922(o), 22 USC 2778

Sten Type Firearm

NOTE: The purpose of this procedure is to destroy the receiver or frame in a manner that will prevent its function and future use as a firearm. A proper method of destroying this firearm is to cut the receiver into separate pieces as follows:



THIS DESTRUCTION DIRECTIVE APPLIES ONLY TO ILLUSTRATED FIREARM



This illustrated view shows the
Destroyed Receiver
of the subject firearm

[Back to Previous Page](#)

[Link to ATF Rul. 2003-4](#)
26 USC 5844, 18 USC 922(o), 22 USC 2778

click multi-page headings to expand TOC

GUIDEBOOK - Firearms & Explosives Imports Branch

INTRODUCTION

Purpose of FEIB Guidebook	i
Table of Contents	ii

POLICIES & PROCEDURES

Overview	1
Laws & Regulations	2-3
■ Importation Firearms & Ammunition	2
■ Importation of Machinesguns, silencers, etc.	2
■ Importation of certain Firearms, firearms parts, ammunition and certain other military equipment on the USMIL	2
■ Policies & Procedures required to initiate the importation of Firearms, Ammunition and Implements of War.....	2-3
Import Requirements for Firearms & Ammunition	4
Factoring Criteria for Weapons - ATF 4590	5
Restricted Importation	6-7
Conditional Importation	8
Types of Importers	9
Importers	10-23
Arms Exports Control Act.....	24-25
Forms	26-37
Stamps	38

FIREARMS VERIFICATION

Firearm Markings — Requirements	39-43
Definitions	44-61
Firearms Terminology & Nomenclature	62-68
Machinegun Destruction	69-73

REFERENCE & REGULATIONS

Appendix-A: Federal Firearms Regulations	A-1 to A-365
Appendix-B: Open Letters	B-1 to B-10
Appendix-C: Rulings	C-1 to C-40
Appendix-D: Sample Forms	D-1 to D-38
Appendix-E: Import Restriction Stamps	E-1 to E-9

click multi-page headings to expand TOC

GUIDEBOOK - Firearms & Explosives Imports Branch

INTRODUCTION

Purpose of FEIB Guidebooki
 Table of Contentsii

POLICIES & PROCEDURES

Overview1
 Laws & Regulations2-3
 Import Requirements for Firearms & Ammunition4
 Factoring Criteria for Weapons - ATF 45905
Restricted Importation6-7
 ■ NFA Firearms6
 ■ Surplus Military Firearms6
 ■ Nonsporting Firearms6
 ■ Semiautomatic Assault Weapons6
 ■ Nonsporting Ammunition6
 ■ Proscribed Countries6
 ■ Voluntary Restraining Agreement7
 Conditional Importation8
 Types of Importers9
 Importers10-23
 Arms Exports Control Act.....24-25
 Forms26-37
 Stamps38

FIREARMS VERIFICATION

Firearm Markings — Requirements39-43
 Definitions44-61
 Firearms Terminology & Nomenclature62-68
 Machinegun Destruction69-73

REFERENCE & REGULATIONS

Appendix-A: Federal Firearms RegulationsA-1 to A-365
 Appendix-B: Open LettersB-1 to B-10
 Appendix-C: RulingsC-1 to C-40
 Appendix-D: Sample FormsD-1 to D-38

click multi-page headings to expand TOC

GUIDEBOOK - Firearms & Explosives Imports Branch

POLICIES & PROCEDURES

- Importers10-23
 - Imports Activities in FTZs & CBWs*
 - Foreign-Trade Zones10
 - U.S. Customs Bonded Warehouse10
 - FTZ/CBW Application Requirements & Processing Procedures10
 - International Import Certificates (Form BXA 645/ATF 4522/DPS-53)11
 - Importers - Sales Samples*
 - Sales to Law Enforcement and Government Entities12-14
 - Dealer Sales Samples15-16
 - Dealer Sales Samples - Curio or Relic Machineguns17
 - Importers - Surplus Military*
 - Surplus Military18
 - Surplus Military - Curio or Relic19
 - Importers - Firearms & Ammunition Excise Tax (FAET)*
 - Background20
 - Who Is Liable20
 - Exemptions20
 - How Is Tax Paid20
 - Inquires20
 - Importers - Record Keeping Requirements*
 - Records of Importation21
 - Computerized Acquisition & Disposition Records21
 - Procedures for Requesting Review of A&D Software21-A & B
 - Procedures for Submitting Request for Variance21-C & D
 - Field Division Locations for Submitting Requests21-E
 - Importer's Firearms Acquisition Record22
 - Importer's Firearms Disposition Record22-23

click multi-page headings to expand TOC

GUIDEBOOK - Firearms & Explosives Imports Branch

INTRODUCTION

Purpose of FEIB Guidebook	i
Table of Contents	ii

POLICIES & PROCEDURES

Overview	1
Laws & Regulations	2-3
Import Requirements for Firearms & Ammunition	4
Factoring Criteria for Weapons - ATF 4590	5
Restricted Importation	6-7
Conditional Importation	8
Types of Importers	9
Importers	10-23
Arms Exports Control Act.....	24-25
■ United States Munitions Import List	24
■ Importation Firearm Parts & Munitions Articles	24
■ Importer Registration	25
■ Form 4587	25
Forms	26-37
Stamps	38

FIREARMS VERIFICATION

Firearm Markings — Requirements	39-43
Definitions	44-61
Firearms Terminology & Nomenclature	62-68
Machinegun Destruction	69-73

REFERENCE & REGULATIONS

Appendix-A: Federal Firearms Regulations	A-1 to A-365
Appendix-B: Open Letters	B-1 to B-10
Appendix-C: Rulings	C-1 to C-40
Appendix-D: Sample Forms	D-1 to D-38

click multi-page headings to expand TOC

GUIDEBOOK - Firearms & Explosives Imports Branch

INTRODUCTION

Purpose of FEIB Guidebook	i
Table of Contents	ii

POLICIES & PROCEDURES

Overview	1
Laws & Regulations	2-3
Import Requirements for Firearms & Ammunition	4
Factoring Criteria for Weapons - ATF 4590	5
Restricted Importation	6-7
Conditional Importation	8
Types of Importers	9
Importers	10-23
Arms Exports Control Act.....	24-25
Forms	26-37
■ Applications	26
■ Form 6	26
■ Processing ATF Form 6 Part I	26-29
■ Processing ATF Form 6A	30
■ Permit Application Tracking System	31
■ Forms Required for Importation	31
■ ATF Forms	32
■ Import Application Process	33
■ Sample Forms	34
■ Sample of Required Forms	35
■ ATF Form 6 Parts I, II, 6NIA & 6A Exemptions	36-37
Stamps	38

FIREARMS VERIFICATION

Firearm Markings — Requirements	39-43
Definitions	44-61
Firearms Terminology & Nomenclature	62-68
Machinegun Destruction	69-73

click multi-page headings to expand TOC

GUIDEBOOK - Firearms & Explosives Imports Branch

INTRODUCTION

Purpose of FEIB Guidebook	i
Table of Contents	ii

POLICIES & PROCEDURES

Overview	1
Laws & Regulations	2-3
Import Requirements for Firearms & Ammunition	4
Factoring Criteria for Weapons - ATF 4590	5
Restricted Importation	6-7
Conditional Importation	8
Types of Importers	9
Importers	10-23
Arms Exports Control Act.....	24-25
Forms	26-37
Stamps	38

FIREARMS VERIFICATION

Firearm Markings — Requirements	39-43
■ Licensed Importer	39
■ Identification of Firearms	40
■ ATF Ruling	41-43
Definitions	44-61
Firearms Terminology & Nomenclature	62-68
Machinegun Destruction	69-73

REFERENCE & REGULATIONS

Appendix-A: Federal Firearms Regulations	A-1 to A-365
Appendix-B: Open Letters	B-1 to B-10
Appendix-C: Rulings	C-1 to C-40
Appendix-D: Sample Forms	D-1 to D-38
Appendix-E: Import Restriction Stamps	E-1 to E-9
Appendix-F: Firearms Destruction Guide	F-1 to F-16
Appendix-G: Firearms Measurement Guide	G-1 to G-7
Appendix-H: Points of Contact.....	H-1 to H-4

click multi-page headings to expand TOC

GUIDEBOOK - Firearms & Explosives Imports Branch

FIREARMS VERIFICATION

Firearm Markings — Requirements	39-43
Definitions - Firearm (CGA) Regulatory	44-53
■ Firearm	44
■ Antique Firearm	45
■ Ammunition	46
■ Silencer	47
■ Semiautomatic Assault Weapons	48
■ Large Capacity Ammunition Feeding Device	49
■ Pistol	50
■ Revolver	51
■ Rifle	52
■ Shotgun	53
Definitions - Firearm (NFA) Statutory	54-61
■ Shotgun	54
■ Rifle	55
■ Silencer	56
■ Machinegun	57
■ Any Other Weapon	58-59
■ Destructive Device	60
■ Antique Firearm	61-61E
Firearms Terminology & Nomenclature	62-68
Machinegun Destruction	69-73

REFERENCE & REGULATIONS

Appendix-A: Federal Firearms Regulations	A-1 to A-365
Appendix-B: Open Letters	B-1 to B-10
Appendix-C: Rulings	C-1 to C-40
Appendix-D: Sample Forms	D-1 to D-38
Appendix-E: Import Restriction Stamps	E-1 to E-9
Appendix-F: Firearms Destruction Guide	F-1 to F-16
Appendix-G: Firearms Measurement Guide	G-1 to G-7

click multi-page headings to expand TOC

GUIDEBOOK - Firearms & Explosives Imports Branch

INTRODUCTION

Purpose of FEIB Guidebook	i
Table of Contents	ii

POLICIES & PROCEDURES

Overview	1
Laws & Regulations	2-3
Import Requirements for Firearms & Ammunition	4
Factoring Criteria for Weapons - ATF 4590	5
Restricted Importation	6-7
Conditional Importation	8
Types of Importers	9
Importers	10-23
Arms Exports Control Act.....	24-25
Forms	26-37
Stamps	38

FIREARMS VERIFICATION

Firearm Markings — Requirements	39-43
Definitions	44-61
Firearms Terminology & Nomenclature	62-68
■ Handgun - Pistol	62
■ Handgun - Revolver	63
■ Bolt Action	64
■ Lever Action	65
■ Self-loading Action	66
■ Slide/PumpAction	67
■ Top Break Action	68
Machinegun Destruction	69-73

REFERENCE & REGULATIONS

Appendix-A: Federal Firearms Regulations	A-1 to A-365
Appendix-B: Open Letters	B-1 to B-10
Appendix-C: Rulings	C-1 to C-40

click multi-page headings to expand TOC

GUIDEBOOK - Firearms & Explosives Imports Branch

INTRODUCTION

Purpose of FEIB Guidebook	i
Table of Contents	ii

POLICIES & PROCEDURES

Overview	1
Laws & Regulations	2-3
Import Requirements for Firearms & Ammunition	4
Factoring Criteria for Weapons - ATF 4590	5
Restricted Importation	6-7
Conditional Importation	8
Types of Importers	9
Importers	10-23
Arms Exports Control Act.....	24-25
Forms	26-37
Stamps	38

FIREARMS VERIFICATION

Firearm Markings — Requirements	39-43
Definitions	44-61
Firearms Terminology & Nomenclature	62-68
Machinegun Destruction - Overview	69-73
■ Browning M1919 Type Firearm	70
■ Browning M1919 Destroyed Receiver	70-A
■ FN FAL Type Firearm	71
■ FN FAL Destroyed Receiver	71-A
■ Heckler & Koch G3 Type Firearm	72
■ Heckler & Koch G3 Destroyed Receiver	72-A
■ Sten Type Firearm	73
■ Sten Destroyed Receiver	73-A

REFERENCE & REGULATIONS

Appendix-A: Federal Firearms Regulations	A-1 to A-365
Appendix-B: Open Letters	B-1 to B-10
Appendix-C: Rulings	C-1 to C-40

ADOBE Reader and ADOBE Acrobat

The electronic version of the **GUIDEBOOK** is presented in [Portable Document Format \(PDF\)](#) and may be accessed using [Adobe Reader](#) or [Adobe Acrobat](#).

The [Adobe Acrobat 5.0](#) application includes complete documentation in an accessible PDF-based help system. The help system includes information on all the Acrobat tools, commands, and features for both Windows and Mac OS systems. The accessible PDF format is designed to provide easy navigation online, as well as easy reading using third-party screen readers compatible with Windows. The file can also be printed out to provide a handy desktop reference.

[Adobe Reader](#) is a universal viewer made available by [ADOBE](#) on their WEB site and may be downloaded free of charge. [Adobe Acrobat](#) is an expanded, full-function version with both editing recording capabilities. If you are not familiar with the available function and navigational utilities of your viewer, Click on the "HELP" button in the upper tool bar at the top of this screen for instructional assistance.

ADOBE Online HELP

