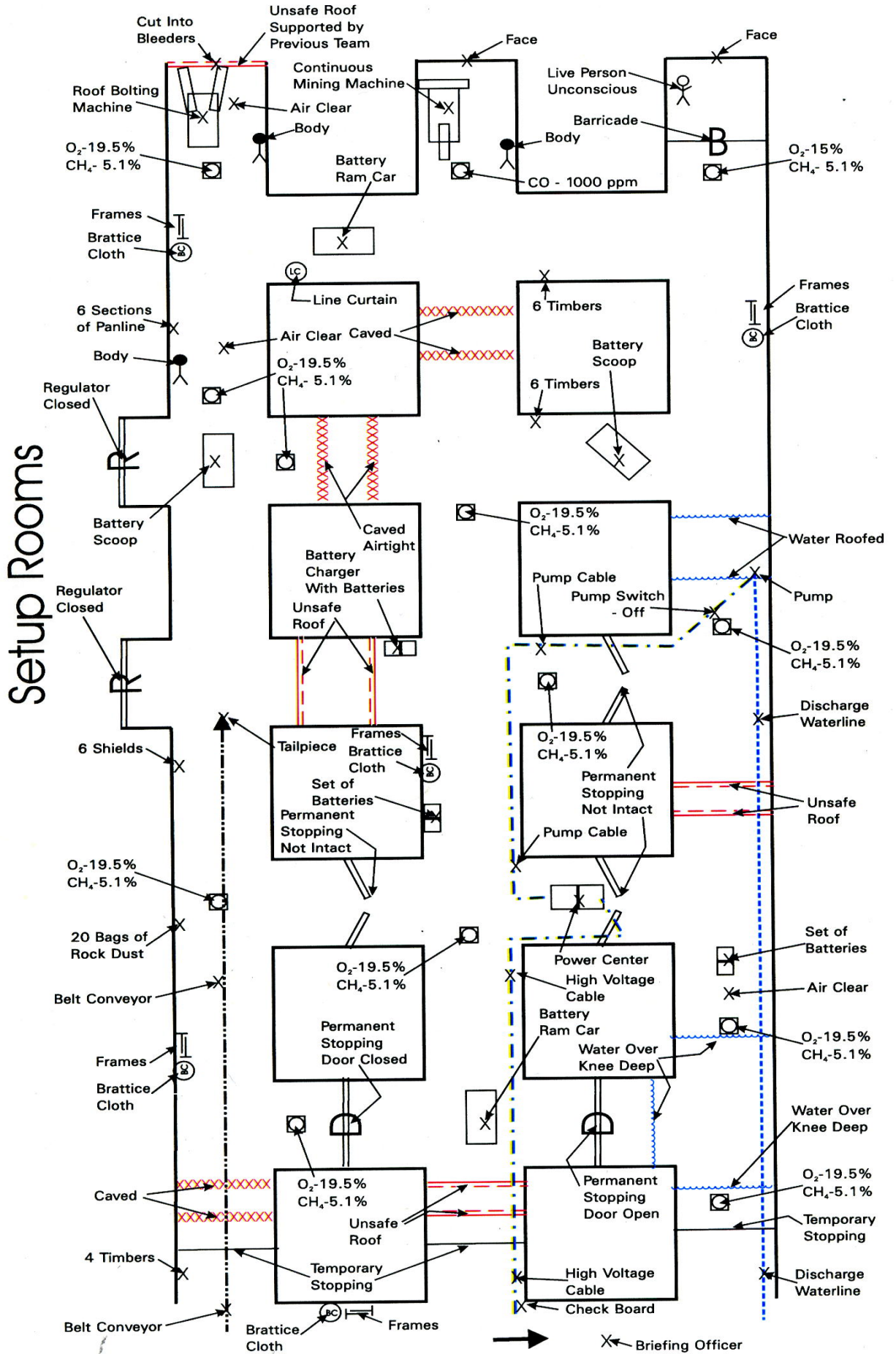
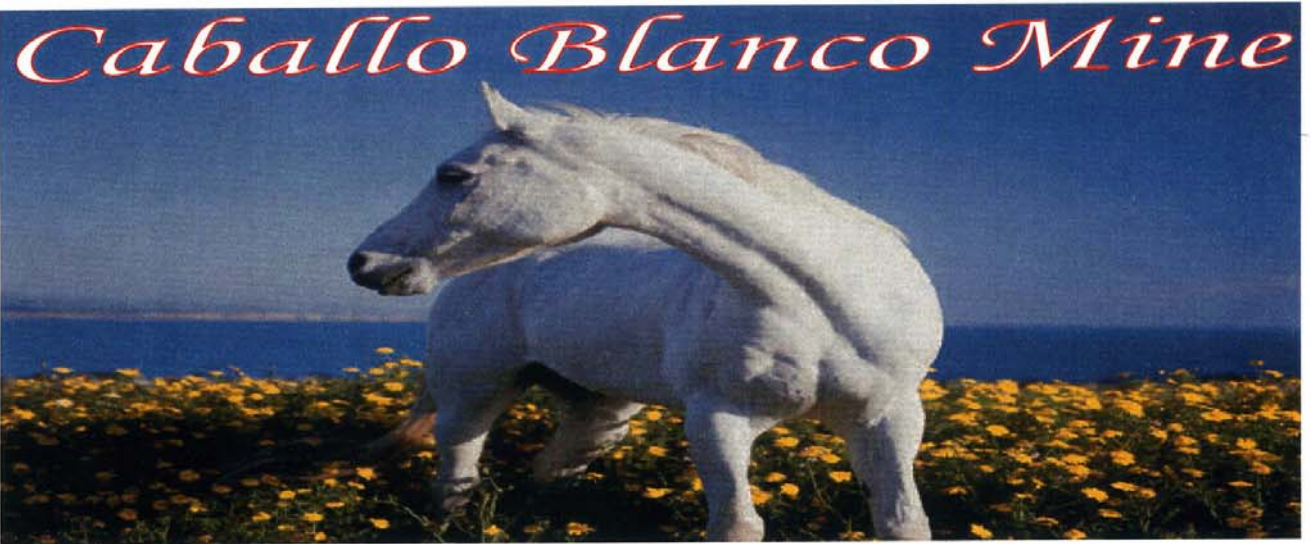


PRICE, UT MINE RESCUE CONTEST - 2004

3rd RIGHT





I am _____, superintendent of the Caballo Blanco Mine. This mine operates two development sections and one longwall section, three shifts per day, six days per week.

There is a main fan and a bleeder fan, both exhausting, installed on the surface. The two fans are operating and are being monitored.

This mine liberates approximately 15 million cubic feet of methane in 24 hours.

Four miners were assigned to travel to the 3rd Right development section to complete the connection into the bleeder entries.

Approximately half way through their shift, the conspec person received an alarm on the conspec system indicating high levels of methane and fan alarms.

The conspec person immediately started contacting the miners in the mining sections, but was unsuccessful with the four miners in 3rd Right section. The other sections and outby workers were immediately evacuated from the mine.

Mine rescue teams were sent into the mine. Teams explored the East Mains area of the mine, including 1st Right, 2nd Right and East Mains bleeders. They explored the set-up rooms of 2nd Right, but had to retreat when a team member became seriously ill.

Prior to retreating, the team was instructed to close the two regulators of the 3rd Right section.

The other mine rescue team explored the 3rd Right section when they were stopped by a roof fall, unsafe roof, and water. The team was instructed to install temporary stoppings across the entries.

During exploration, the teams reported to the command center that they encountered water, roof falls, and unsafe roof, which are shown on the map that will be provided to your team.

All electrical circuits inby the fresh air base have been de-energized, locked out and guarded.

Fully equipped and properly trained back-up mine rescue teams are available as back-up to assist you while you are inby the fresh air base. You may request assistance from them through the superintendent.

The mine map was updated two days ago.

Good Luck. You will need it!



- **Explore all areas of the mine, if it can be done safely.**
- **Account for all missing persons.**

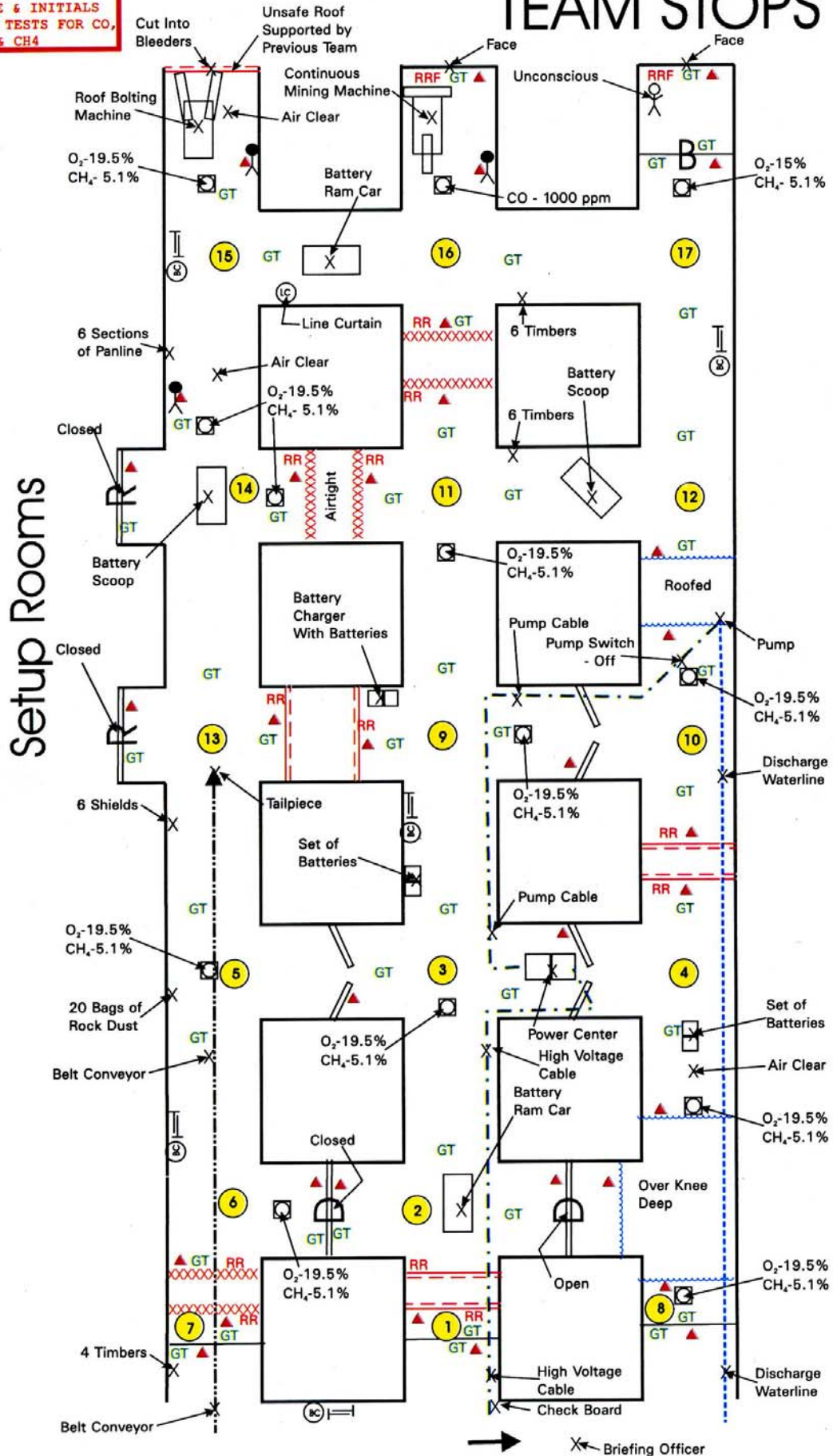
Good Luck!

PROBLEM

3rd RIGHT

TEAM STOPS

INDEX	
RR	- ROOF & RIB TEST
RRF	- ROOF, RIB & FACE TEST
▲	- DATE & INITIALS
GT	- GAS TESTS FOR CO, O ₂ & CH ₄

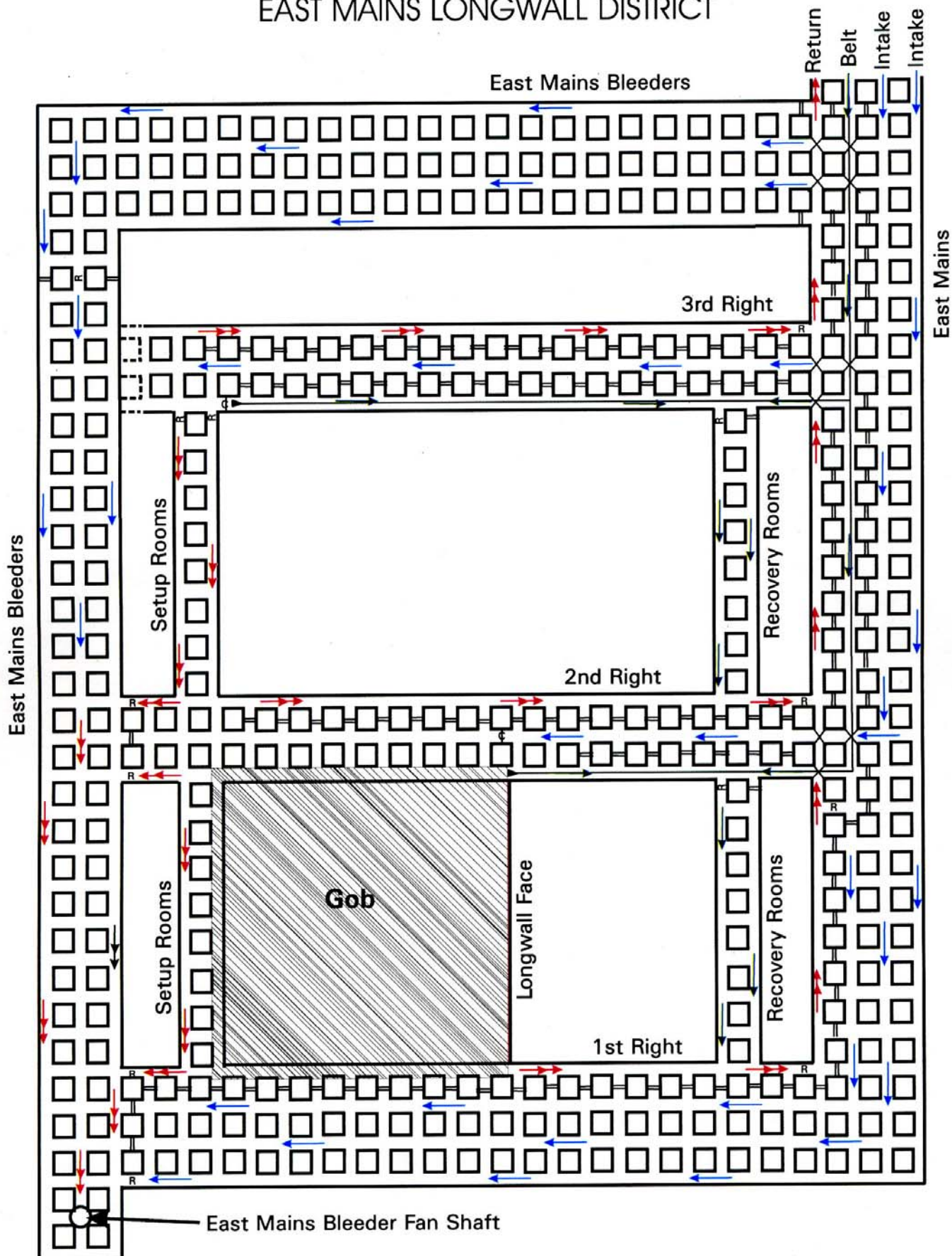


➔ X - Briefing Officer

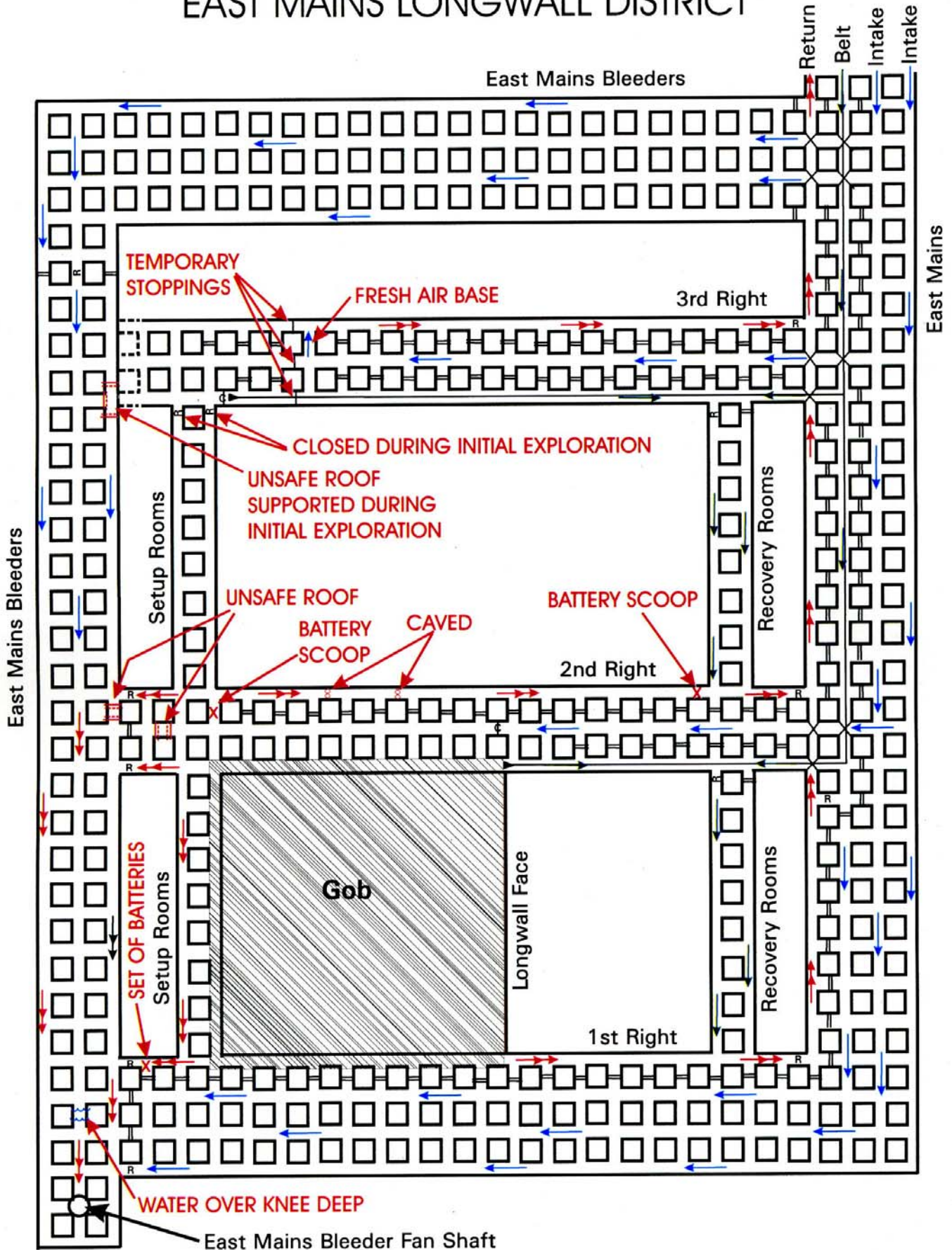
PRICE, UT MINE RESCUE CONTEST - 2004

PRIOR VENTILATION

EAST MAINS LONGWALL DISTRICT



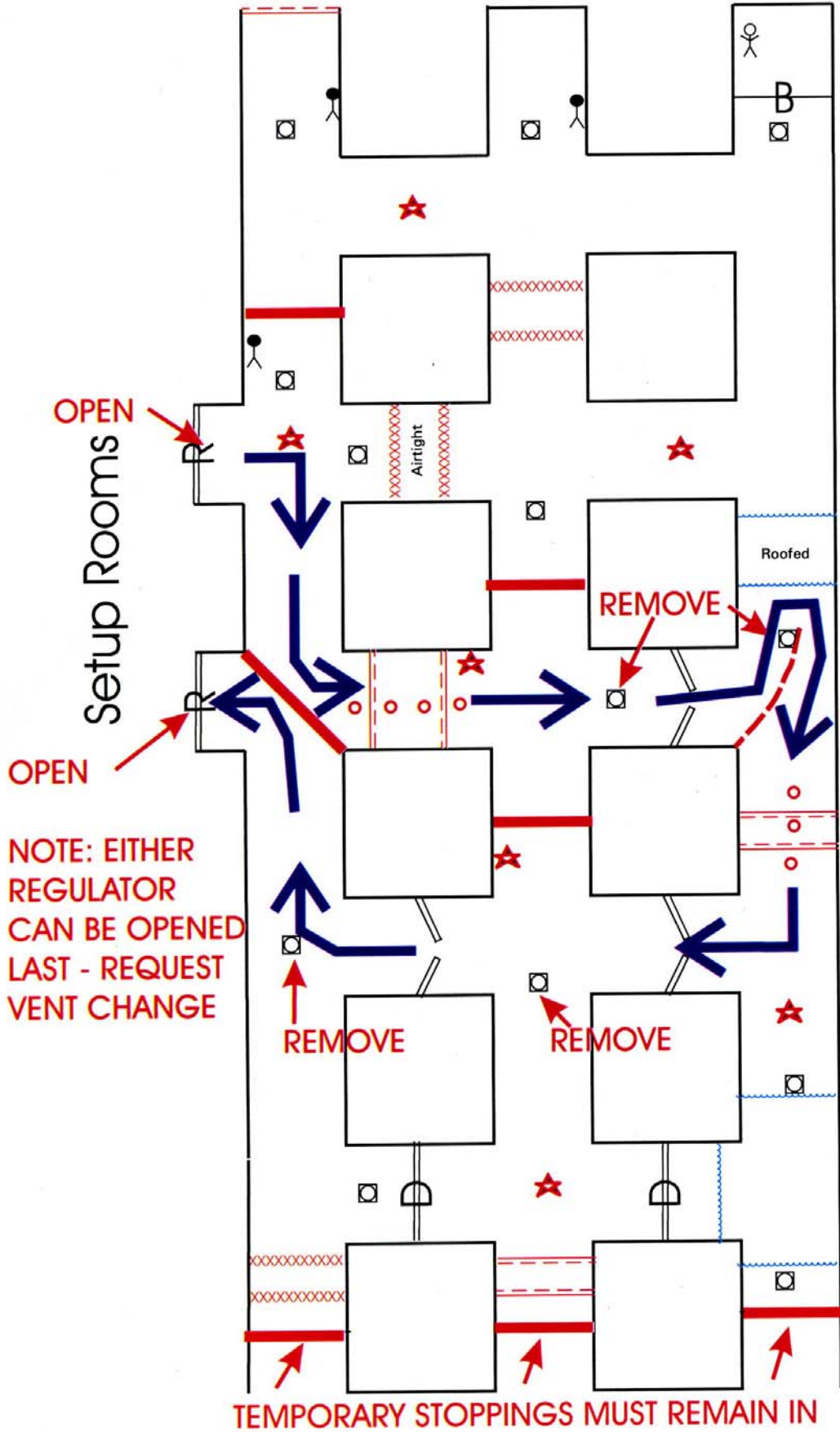
PRICE, UT MINE RESCUE CONTEST - 2004
CONDITIONS AFTER INITIAL EXPLORATION
EAST MAINS LONGWALL DISTRICT



3rd RIGHT

VENT CHANGE 1

★ = Ignition Source



NOTE: EITHER REGULATOR CAN BE OPENED LAST - REQUEST VENT CHANGE

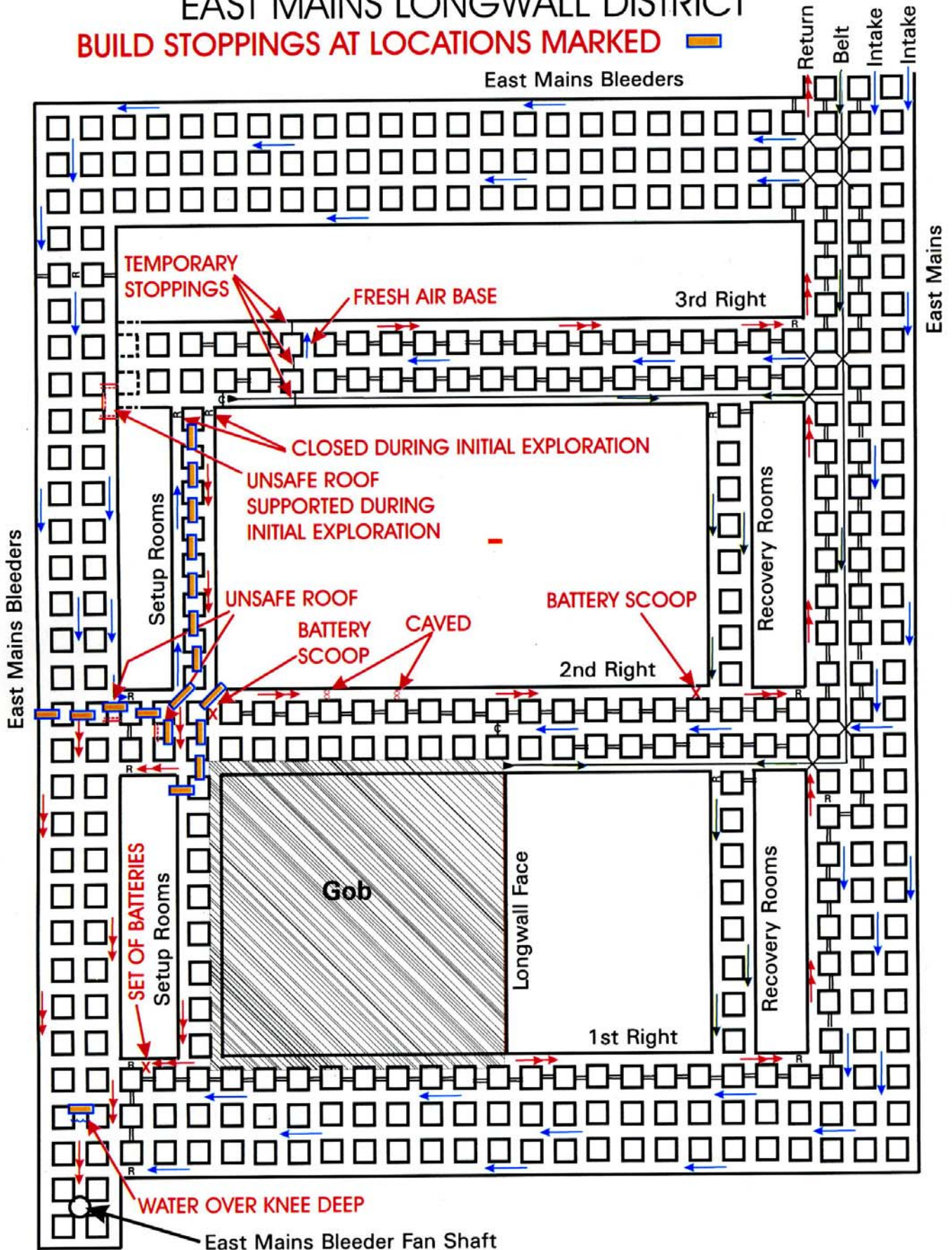
TEMPORARY STOPPINGS MUST REMAIN IN

PRICE, UT MINE RESCUE CONTEST - 2004

VENTILATION CHANGES 1 AND 3

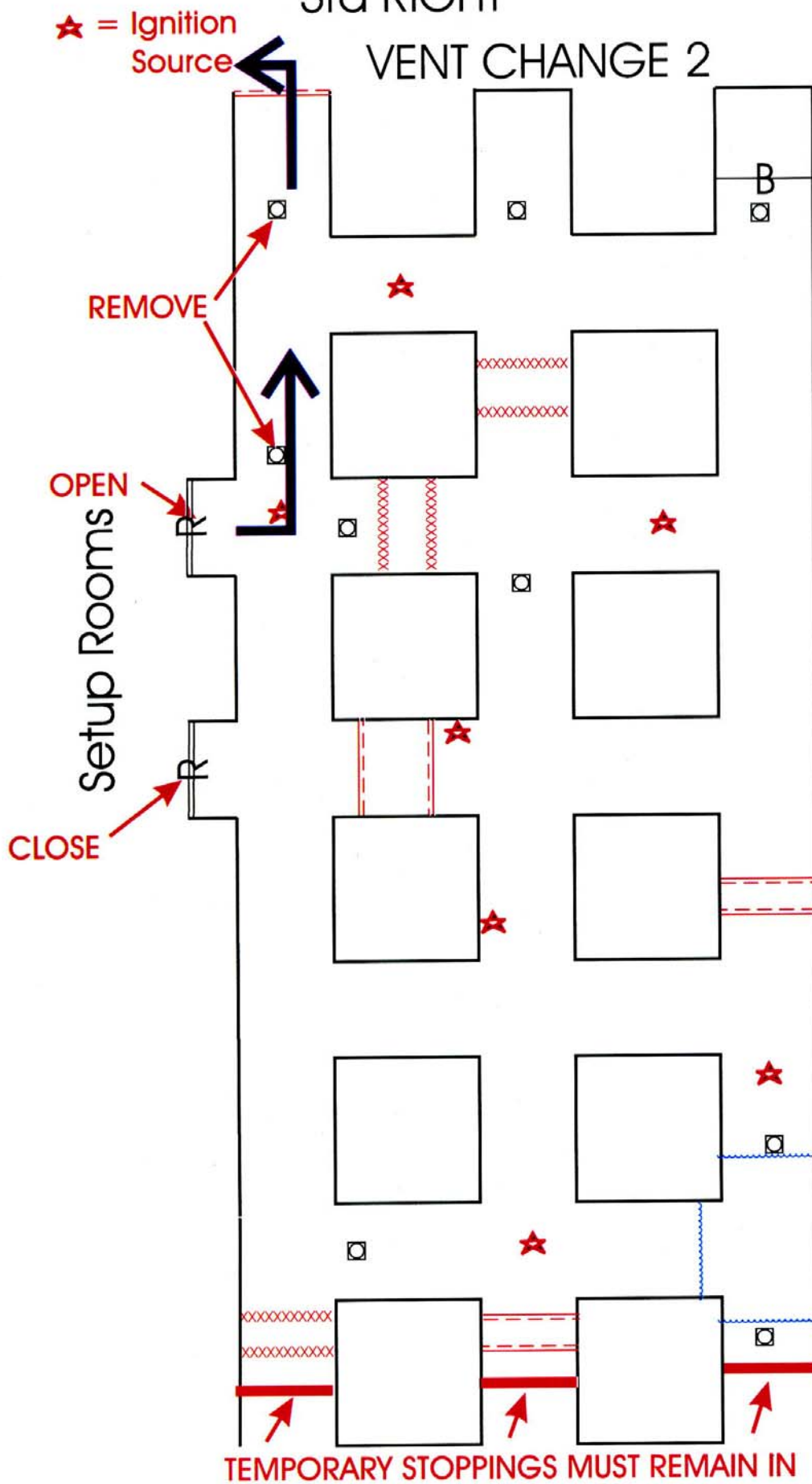
EAST MAINS LONGWALL DISTRICT

BUILD STOPPINGS AT LOCATIONS MARKED 



PRICE, UT MINE RESCUE CONTEST - 2004

3rd RIGHT

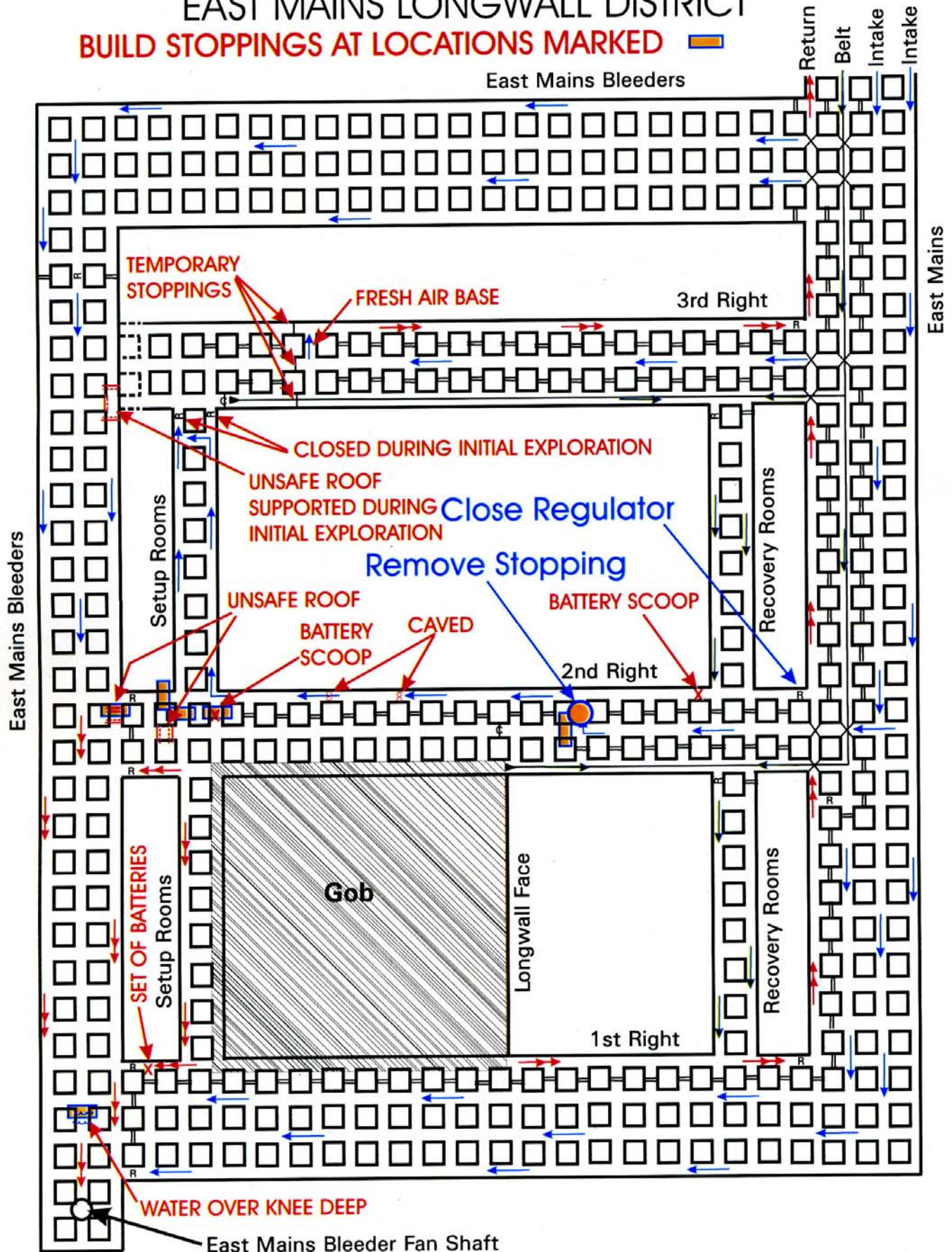


PRICE, UT MINE RESCUE CONTEST - 2004

VENTILATION CHANGE 2

EAST MAINS LONGWALL DISTRICT

BUILD STOPPINGS AT LOCATIONS MARKED 



3rd RIGHT

VENT CHANGE 3

★ = Ignition Source

