

Operating Manual
Axioskop 2 plus / Axioskop 2 mot plus
Routine Microscope

Knowledge of this manual is required for the operation of the instrument. Would you therefore please make yourself familiar with the contents of this manual and pay special attention to hints concerning the safe operation of the instrument.

The specifications are subject to change; the manual is not covered by an update service.

© Unless expressly authorized, forwarding and duplication of this document and the software package, and the utilization and communication of its contents are not permitted. Violations will entail an obligation to pay compensation.

All rights reserved in the event of granting of patents or registration of a utility model.

Issued by:

Carl Zeiss
Light Microscopy

P.O.B. 4041
37030 Göttingen
GERMANY

Phone: ++49 551 5060 660
Telefax: ++49 551 5060 464
Internet: www.zeiss.de/micro
E-Mail: micro@zeiss.de

Number of this manual: B 40-075 e

Date of issue: 31st of October 2003

CONTENTS:


	Page
INTRODUCTION	0-2
Copyright	0-2
Contents	0-3
Microscopy in a few steps.....	0-7
Notes on instrument safety.....	0-8
Notes on warranty.....	0-12
Overall view of Axioskop 2 <i>plus</i>	0-13
Overall view of Axioskop 2 <i>mot plus</i>	0-14
CHAPTER 1 INSTRUMENT DESCRIPTION	1-2
1.1 Name and intended application	1-2
1.2 Instrument description and main features	1-2
1.3 Axioskop 2 <i>plus</i> (manual) microscope configurations and modules	1-4
1.4 Axioskop 2 <i>mot plus</i> microscope configurations and modules.....	1-8
1.5 Objectives.....	1-12
1.6 Eyepieces.....	1-14
1.7 Stage micrometers and eyepiece reticles	1-14
1.8 Technical data	1-16

	Page
CHAPTER 2 START-UP	2-4
2.1 Initial start-up	2-4
2.1.1 Unpacking and installation of the microscope	2-4
2.1.2 Attachment of binocular tube or phototube	2-5
2.1.3 Insertion of eyepieces and centering telescope	2-5
2.1.4 Setting of the interpupillary distance of the binocular tube	2-7
2.1.5 Setting of viewing height	2-7
2.1.6 Screw in of objectives	2-7
2.1.7 Attachment of universal condenser	2-8
2.1.8 Connection to the line	2-9
2.1.9 Switch microscope and HBO 100 W transformer on and off	2-9
2.1.10 HAL 100 halogen illuminator	2-10
2.1.11 HBO 103 illuminator	2-11
2.1.12 Connect PC / Laptop to the Axioskop 2 <i>mot plus</i> microscope	2-15
2.1.13 Attachment of round cable holder	2-15
2.2 Attachments and conversions	2-16
2.2.1 Changing the condenser	2-16
2.2.2 Changing the phase stop for phase contrast or darkfield in the universal condenser	2-17
2.2.3 Changing the DIC prism in the universal condenser	2-18
2.2.4 Attachment of filter mount	2-18
2.2.5 Attachment of D polarizer	2-19
2.2.6 Attachment of SENARMONT DIC polarizer	2-19
2.2.7 Changing the HAL 100 halogen lamp	2-20
2.2.8 Changing the HBO 103 W/2 mercury pressure short-arc lamp	2-20
2.2.9 Changing the mechanical stage	2-23
2.2.10 Changing the binocular tube	2-26
2.2.11 Attachment of intermediate tube with height adjustment	2-27
2.2.12 Attachment of adapter for the Axioskop 2 <i>plus</i>	2-28
2.2.13 Installing and Removing "Push&Click" Modules	2-29
2.2.14 Changing the filter set in the FL P&C reflector module	2-30
2.2.15 Changing the beam splitter in the FL P&C reflector module	2-30
2.2.16 Attachment of active coobservation equipment for 2 users	2-32
2.2.17 Attachment of multi-observation equipment	2-34
2.2.18 Attachment of intermediate tube for image projection	2-36

	Page
CHAPTER 3 OPERATION	3-3
3.1 Overview of operation and function controls	3-3
3.1.1 Operation and function controls of the Axioskop 2 <i>plus</i>	3-4
3.1.2 Overview of operation and function controls of the Axioskop 2 <i>mot plus</i>	3-10
3.2 Switching on and basic settings	3-18
3.2.1 Axioskop 2 <i>plus</i>	3-18
3.2.2 Axioskop 2 <i>mot plus</i>	3-18
3.3 Illumination and contrasting techniques.....	3-24
3.3.1 Setting of transmitted-light brightfield according to KÖHLER	3-24
3.3.2 Setting of transmitted-light darkfield	3-27
3.3.3 Setting of transmitted-light phase contrast	3-29
3.3.4 Setting of transmitted-light polarization.....	3-31
3.3.5 Setting of transmitted-light differential interference contrast (DIC).....	3-36
3.3.6 Setting of epi-fluorescence	3-39
3.4 Documentation	3-41
3.4.1 Attachment of photomicrography equipment.....	3-41
3.4.2 Attachment of videomicroscopy equipment.....	3-43
3.4.3 Attachment of adapter for digital compact cameras	3-44
3.5 Multi-observation equipment.....	3-45
3.5.1 Attachment of active coobservation equipment for 2 users.....	3-45
3.5.2 Attachment of multi-observation equipment	3-47
3.6 Drawing device.....	3-49
3.6.1 Intermediate tube for image projection, switchable	3-49
3.7 Quantitative microscopy	3-50
3.7.1 Measurement of lengths.....	3-50
3.7.2 Height measurement	3-51

	Page
CHAPTER 4 CARE, MAINTENANCE, TROUBLESHOOTING AND SERVICE	4-2
4.1 Instrument care	4-2
4.2 Instrument maintenance.....	4-3
4.2.1 Performing checks.....	4-3
4.2.2 Changing the fuses	4-3
4.3 Troubleshooting	4-4
4.4 Spares, consumables and tools.....	4-8
4.5 Requesting service.....	4-9
ANNEX.....	A-1
List of abbreviations	A-2
List of key words	A-4
Patent rights.....	A-8

Microscopy in a few steps using the example of "Setting of transmitted-light brightfield according to KÖHLER"

 Please read the instructions regarding instrument safety and the Description (Chapter 1) and Start Up (Chapter 2) chapters before using the Axioskop 2 plus and/or Axioskop 2 mot plus microscopes for the first time.

- (1) As described in chapter 2, the microscope is ready for operation and switched on according to section 3.3.
- (2) Place a high-contrast specimen on the mechanical stage (cover slip pointing upwards).
- (3) Swing in 10x objective on the nosepiece and focus on the specimen; if possible, always move the specimen away from the objective!
- (4) Move condenser - e.g. universal condenser 0.9 - (in brightfield position, front lens switched in) to the upper stop position via the condenser drive. The height adjustment must be set in such a way that the specimen is not touched by the condenser.
- (5) Close luminous-field diaphragm until it is visible in the field of view, even if not in focus (Fig. 0-1/A).
- (6) Lower universal condenser 0.9 until the edge of the luminous-field diaphragm appears in focus (Fig. 0-1/B).
- (7) Center luminous-field diaphragm using centering screws on the condenser carrier (Fig. 0-1/C) and open it until its edge just disappears behind the field of view (Fig. 0-1/D).
- (8) To set the aperture diaphragm (contrast), remove one eyepiece from the binocular tube and set the aperture diaphragm to approx. $2/3$ of the diameter of the objective exit pupil (Fig. 0-1/E). Optimum contrast setting is dependent on the respective specimen.
- (9) Insert eyepiece again and, if required, refocus on the specimen via fine drive.
- (10) After each objective change, field size and objective aperture change, which makes it necessary to repeat steps (5) to (9).
- (11) For objective magnifications between 1.25x and 5x, the front lens 0.9 of the universal condenser must be swung out and the aperture diaphragm opened entirely.

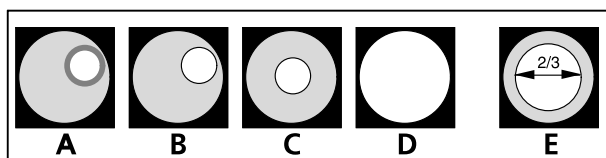


Fig. 0-1 Diaphragm settings in transmitted-light brightfield according to KÖHLER

Notes on instrument safety

The Axioskop 2 *plus* and Axioskop 2 *mot plus* microscopes have been designed produced and tested in compliance with DIN 61010-1 (IEC 1010-1) and DIN EN 61010-2-101 safety requirements for electrical measuring, control and laboratory instruments.

They meet the requirements of the directive 98/79/EC and are marked with the **CE** marking.

This operation manual includes information and warnings which must be observed by the user.

The following warning and information symbols are used in this manual:

**NOTE**

This symbol is a warning which you must observe under all circumstances.

**CAUTION**

This symbol is a warning which indicates a hazard to the instrument or instrument system.

**CAUTION**

This symbol is a warning which indicates a hazard to the user of the instrument.

**CAUTION**

Hot surface!

**CAUTION**

UV radiation is emitted!

**CAUTION**

Disconnect the instrument from the line before opening it!

The Axioskop 2 *plus* and Axioskop 2 *mot plus* microscopes, including original accessories, may only be used for the microscope techniques described in this manual.

Particular attention must be paid to the following warning notes:



The manufacturer cannot assume any liability for any other applications, possibly also involving individual modules or single parts. This also applies to all service or repair work which is not carried out by authorized service personnel. Furthermore, this forfeits all the claims against warranty.



The power plug must be inserted in a socket featuring a grounding (earth) contact. The grounding effect must not be made ineffective by an extension cable which does not have a protective ground wire.



If it is established that protection measures are no longer effective, the instrument must be switched off and safeguarded against inadvertent operation. Please contact a Zeiss service agency or Carl Zeiss Microscopy Service for repairing the instrument.



The power unit which is integrated in the stand of the microscopes permits the use of line voltages in the range between 100 and 240 V \pm 10 %, 50 / 60 Hz, without having to change the voltage on the instrument.

The ballasts for the HBO 103 (ebg 100 dc) or XBO 75 (ebx 75 isolated) are designed for the 90 to 250 V AC, 50 to 60 Hz range. The instruments adapt automatically to the available line voltage. There is no need to change the voltage.



However, the transformer for the HBO 50 must be set manually to the correct voltage (100, 110, 120, 127 or 230, 240 V), and the correct frequency must be preselected (50 or 60 Hz). Before switching on the instrument, check whether it is suitable for the line voltage present.



Before switching on the instrument, check whether it is suitable for the line voltage present. Always disconnect the instrument from the line before opening the instrument and before changing the fuses.



Make sure to use only fuses of the rated power required. The use of makeshift fuses and the short-circuiting of the fuse holders are not permitted.





When the stand with motorized focusing drive is used, there is a risk of crushing between stage carrier / condenser carrier and stand base. Therefore, avoid making any adjustments under the stage carrier when the stage is lowered. For safety reasons, the stage lowering procedure can be automatically switched off (see page 3-13).



The Axioskop 2 *plus* and Axioskop 2 *mot plus* microscopes are not equipped with any special devices for protection from substances which are corrosive, potentially infectious, toxic, radioactive or other substances which could be hazardous to health. All the legal regulations, particularly the pertinent accident prevention regulations of the respective country, must be observed when handling such substances.



Gas discharge lamps, e.g. HBO 103, emit ultraviolet radiation which can cause burns on the eyes and skin. Therefore, never look directly into the light of these lamps and avoid direct, unprotected incidence of their light on your skin. When using the microscope, always use the protective devices belonging to the instrument (e.g. special attenuation filters). When hot, gas discharge lamps are under high internal pressure and may therefore only be changed when they have cooled down, and protective gloves and goggles must be used (for detailed information please see Operating Manual B 40-065 e).



When fluorescence filters are used, the filter protecting from heat emitted by the microscope illuminator must not be removed, since fluorescence filters are sensitive to heat and their performance might therefore be impaired.



Avoid touching the hot lamp housing. Always pull the power plug before changing the lamps and allow the instrument to cool down for approx. 15 mins.



Dust and dirt can impair the performance of the instrument. Therefore, the instrument must be protected against these influences as far as possible, and covered with the dust cover if it is not used for longer periods of time. Always check whether the instrument is switched off before you cover it.



Placing objects against or covering ventilation slats can lead to a build-up of heat which will damage the instrument and, in extreme cases, cause a fire. Always keep the ventilation slats clear and make sure that no objects enter the instrument through the ventilation slats.



Defective microscopes should not be placed in ordinary domestic waste; they should be disposed of in accordance with the relevant statutory provisions.



The instruments may only be operated by trained personnel who must be aware of the possible danger involved with microscopy and the relevant application. The Axioskop 2 *plus* / Axioskop 2 *mot plus* is a high-precision instrument which can be impaired in its performance or destroyed when handled improperly.



Be sure to read the safety notes provided with Immersol 518 N[®] immersion oil.



Immersol 518 N[®] immersion oil irritates the skin. Avoid any contact with skin, eyes and clothing.

After skin contact, wash the oil off with plenty of water and soap.
After eye contact, immediately rinse the eye with plenty of water for at least five minutes.
If the irritation persists, consult a specialist.



Proper disposal (Immersol 518 N[®]):

Take care to ensure that immersion oil does not enter surface water or the sewage system.

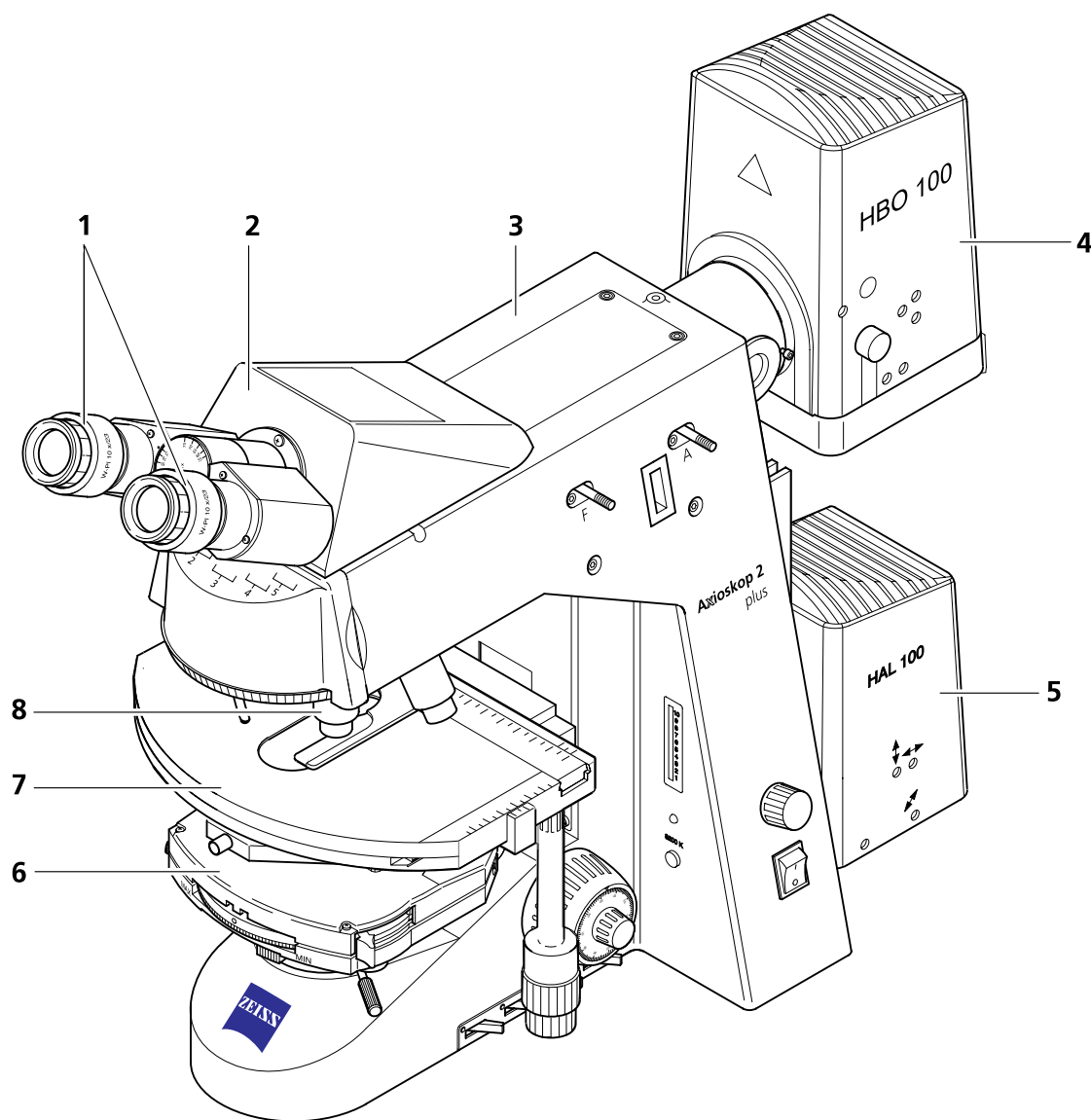
Notes on warranty

The manufacturer guarantees that the instrument has no material and production defects when delivered. You must inform us of any defects immediately and we must do anything to minimize the damage. If the manufacturer is informed of such a defect, he is obliged to remove it; it is his decision whether he does this by repairing the instrument or by delivering an instrument free of any defect. No guarantee is provided for defects caused by natural wear (wearing parts in particular) and improper use.

The instrument manufacturer is not liable for damage caused by faulty operation, negligence or any other meddling with the instrument, particularly the removal or replacement of instrument components, or the use of accessories from other manufacturers. This forfeits all the claims against warranty.

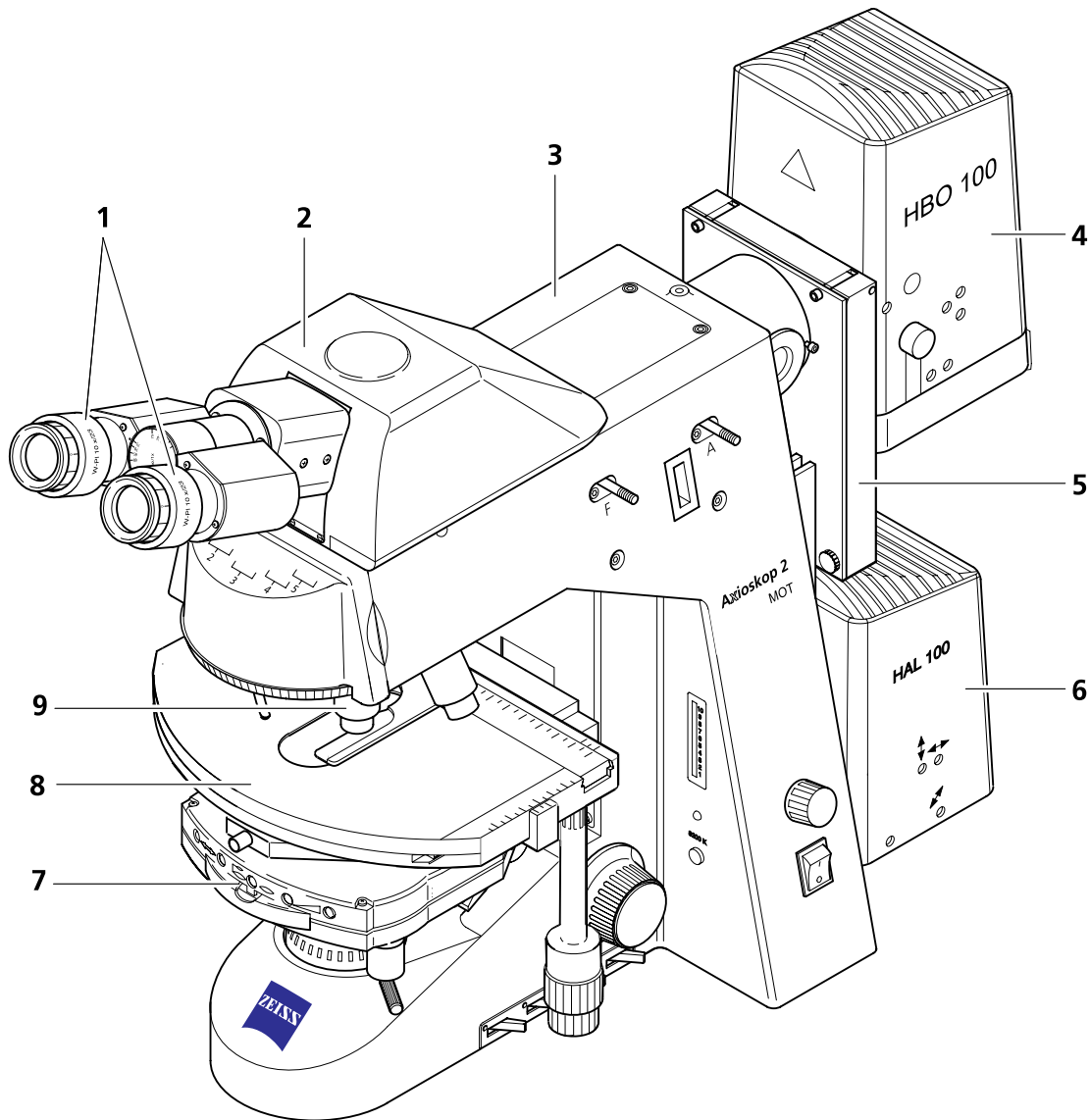
With the exception of the work specified in this manual, no maintenance or repair of the Axioskop 2 *plus* / Axioskop 2 *mot plus* may be performed. Repairs may only be performed by Zeiss service staff or specially authorized personnel. Should any defect occur with the instrument, please get in touch with your local Zeiss agency.

Overall view of the Axioskop 2 plus



- 1 Eyepieces
- 2 Binocular tube
- 3 Stand
- 4 Incident-light illuminator
- 5 Transmitted-light illuminator
- 6 Manual universal condenser
- 7 Mechanical stage
- 8 Objectives

Overall view of the Axioskop 2 *mot plus*



- 1 Eyepieces
- 2 Binocular ergotube
- 3 Stand
- 4 Incident-light illuminator
- 5 FL excitation filter wheel
- 6 Transmitted-light illuminator
- 7 Motorised universal condenser
- 8 Mechanical stage
- 9 Objectives

INSTRUMENT DESCRIPTION

Contents

1	Instrument Description	1-2
1.1	Name and intended application.....	1-2
1.2	Instrument description and main features.....	1-2
1.3	Axioskop 2 <i>plus</i> (manual) microscope configurations and modules	1-4
1.4	Axioskop 2 <i>mot plus</i> microscope configurations and modules	1-8
1.5	Objectives	1-12
1.6	Eyepieces	1-14
1.7	Stage micrometers and eyepiece reticles.....	1-14
1.8	Technical Data	1-16

List of illustrations

Fig. 1-1	Axioskop 2 <i>plus</i> (manual) microscope configurations.....	1-4
Fig. 1-2	Axioskop 2 <i>mot plus</i> microscope configurations	1-8
Fig. 1-3	Objective.....	1-12

1 INSTRUMENT DESCRIPTION

1.1 Name and intended application

Manufacturer's name: Axioskop 2 *plus* microscope
 Axioskop 2 *mot plus* microscope

The Axioskop 2 *plus* and Axioskop 2 *mot plus* microscopes have been designed as universally applicable microscopes for applications in biology and medicine, e.g. for the examination of blood and / or tissue samples from the human body. They can be used as pure transmitted-light microscopes or, with epi-fluorescence equipment, as combined transmitted-light / incident-light microscopes.

The Axioskop 2 *plus* and Axioskop 2 *mot plus* microscopes are mainly used in:

- hospitals
- doctor's offices
- universities and
- industry

1.2 Instrument description and main features

With the advanced pyramid and modular design, the Axioskop 2 *plus* incorporates time-tested principles in microscope construction, thus ideally combining modern demands on design, operating convenience and function with technical performance. Thanks to the modular design, existing microscope modules of the Axioskop 2 *plus*, such as tubes, intermediate tubes and condensers, are easy to attach.

The Axioskop 2 *plus* is offered as a manual and a motorized / coded version. The basic stand is equipped with either manual (Axioskop 2 *plus*) or motorized / coded operation and function controls (Axioskop 2 *mot plus*), but is otherwise identical for both versions.

Depending on the instrument configuration, the following microscopy and contrasting techniques are possible:

Transmitted light:

- brightfield
- darkfield
- phase contrast
- polarization contrast
- differential interference contrast (DIC)

Incident light:

- fluorescence contrast

If ordered, the optional epi-fluorescence equipment including the adjusting aid is integrated in the microscope stand on delivery. For technical reasons, retrofitting of existing instruments with the epi-fluorescence equipment should be performed by Zeiss service staff.

The binocular tubes and the suitable adapters allow one microscope camera, one SLR camera or one video camera to be attached for documentation purposes.

Major instrument features of the **Axioskop 2 *plus* (manual)**:

- Stable and sturdy diecast stand with T-shaped base in the pyramid design and integrated DC supply for the HAL 12 V 100 W halogen lamp
- Stage focusing via Harmonic Drive™ gear and coaxial drive
- Fixed and rotary mechanical stage with ceramic-coated surface and extended drive for higher operating convenience
- High-performance HAL 12 V 100 W illuminators for transmitted light and HBO 103 for incident light
- Achromatic-aplanatic universal condenser 0.9 with swing-in front lens for applications in brightfield, darkfield, phase contrast, polarization contrast and differential interference contrast
- Ball-bearing, 5-position nosepiece with W 0.8" thread
- ICS objectives in the price performance categories A-Plan, Achroplan, Plan-Neofluar, Plan-Apochromat
- Binocular tubes and phototubes with fixed and variable viewing angle
- 10x focusing eyepieces with field number 23, suitable for spectacle wearers
- High-performance epi-fluorescence equipment
- Wide variety of attachment possibilities for photography and videomicroscopy
- Multi-observation equipment for 2, 9 or more viewing stations
- Drawing device with intermediate tube for image projection

In addition to the above instrument features, the **Axioskop 2 *mot plus*** has the following features which differ from the manual version:

- High-precision step motor drive for stage focusing
- Motorized condenser functions (front lens, turret disk, aperture diaphragm), optional
- Coded objective nosepiece
- Coded reflector turret
- Objective-dependent brightness control in combination with the coded nosepiece
- Automatic matching of the focusing speeds and focus positions of the objectives used
- Optional and motorized, 8-position FL excitation filter wheel (filter diameter 25 mm) for incident-light fluorescence, controlled by step motor
- The microscope can be connected to a PC via the RS 232 interface

1.3 Axioskop 2 plus (manual) microscope configurations and modules

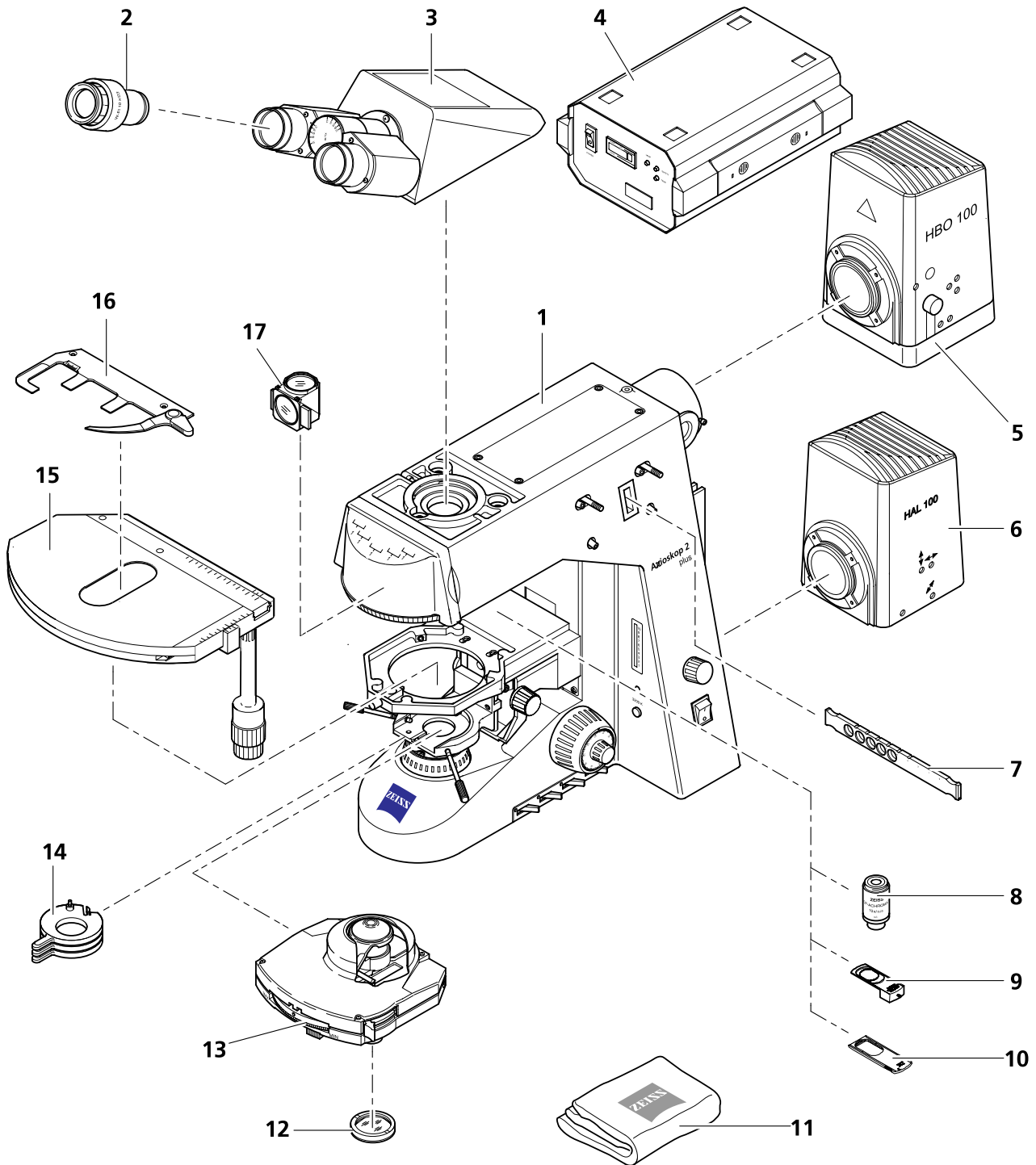


Fig. 1-1 Axioskop 2 plus (manual) microscope configurations

Key to Fig. 1-1

- 1 Stand
- 2 Eyepiece
- 3 Binocular tube 30°/23
- 4 HBO 100 W transformer
- 5 HBO 103 illuminator
- 6 HAL 12 V 100 W halogen lamp
- 7 FL filter slider
- 8 Objective
- 9 DIC slider
- 10 Compensator λ
- 11 Dust cover
- 12 DIC prism
- 13 Achromatic-aplanatic universal condenser 0.9 H D DIC
- 14 Filter mount
- 15 Mechanical stage 75x50 R
- 16 Specimen holder with spring clip R
- 17 FL P&C reflector module

Axioskop 2 <i>plus</i> (manual) microscope configurations	Cat. No.
<p>Configurations</p> <p>The "Axioskop 2 <i>plus</i>" routine microscope is offered in the following different configurations:</p> <p>for transmitted-light brightfield with objectives "A-Plan" 5x, 10x, 20x, 40x and 100x</p> <p>for transmitted-light brightfield with objectives "Achromplan" 4x, 10x, 20x, 40x and 100x</p> <p>for transmitted-light brightfield and phase contrast with objectives "Achromplan" 4x, 10x Ph 1, 20x Ph 2, 40x Ph 2 and 100x</p> <p>for transmitted-light brightfield with objectives "Plan-Neofluar" 2.5x, 10x, 20x, 40x and 100x</p> <p>for transmitted-light brightfield and phase contrast with objectives "Plan-Neofluar" 2.5x, 10x Ph 1, 20x Ph 2, 40x Ph 2 and 100x Ph 3</p> <p>for transmitted-light brightfield and interference contrast with objectives "Plan-Neofluar" 10x, 20x, 40x and 100x</p> <p>for epi-fluorescence and transmitted-light phase contrast with objectives Plan-Neofluar/Plan-Apochromat, Plan-Neofluar 2.5, 10x Ph 1, 20x Ph 2, 40x, Plan-Apochromat 63x and Plan-Neofluar 100x</p>	
<p>Modules</p> <p>The "Axioskop 2 <i>plus</i>" routine microscope consists of the following modules:</p>	
<p>Axioskop 2 <i>plus</i> microscope stand with 5x reflector turret, harmonic drive focusing drive, 5-position nosepiece H DIC W 0.8", integrated 12 V DC 100 W power unit (stabilized), transmitted-light equipment with filter magazine D, stage and condenser carrier, FL incident light equipment and HBO/XBO adjusting aid</p>	452310-0000-000
<p><u>Eyepieces:</u></p>	
<p>W-PL 10x/23 Br. foc.</p>	000000-1016-758
<p>PL 10x/23 Br. foc.</p>	000000-1026-548
<p><u>Tubes:</u></p>	
<p>Binocular tube 30°/23</p>	452340-0000-000
<p>Binocular phototube 30°/23 (30/70)</p>	452344-0000-000
<p>Binocular ergotube 6-25°/23</p>	452341-0000-000
<p>Binocular ergo-phototube 6-25°/23 (100/0 or 0/100)</p>	452342-0000-000
<p><u>Illuminators:</u></p>	
<p>HAL 12 V 100 W halogen illuminator</p>	447219-0000-000
<p>HBO 103 illuminator</p>	487211-9804-000
<p>HBO 100 W transformer for HBO 100 W/2 and HBO 103 W/2</p>	458451-9901-000
<p><u>Objectives</u> see also section 0</p>	
<p><u>DIC sliders:</u></p>	
<p>DIC slider 10x/0.30 I</p>	444431-0000-000
<p>DIC slider 20x/0.50 II</p>	444437-0000-000
<p>DIC slider 40x/0.75 III</p>	444463-0000-000
<p>DIC slider 100x/1.30 IIII</p>	444480-0000-000
<p>Compensator λ, 6x20</p>	473704-0000-000
<p><u>DIC prisms with polarizer:</u></p>	
<p>DIC prism I / 0.9</p>	000000-1005-002
<p>DIC prism II / 0.9</p>	000000-1005-003
<p>DIC prism III / 0.9</p>	000000-1005-004

Axioskop 2 <i>plus</i> (manual) microscope configurations	Cat. No.
Modules	
<u>Condensers:</u>	
Achromatic-aplanatic universal condenser 0.9 H	445435-0000-000
Achromatic-aplanatic universal condenser 0.9 H D Ph	444336-0000-000
Achromatic-aplanatic universal condenser 0.9 H D Ph DIC	445439-0000-000
Achromatic switching condenser 0.9 H	000000-1017-668
Achromatic switching condenser 0.9 H D Ph	000000-1017-690
<u>Polarizers:</u>	
SENARMONT DIC polarizer	453622-0000-000
Rotary polarizer D	453620-0000-000
Circular polarizer D	453623-0000-000
<u>Filters:</u>	
6-position FL filter slider, for filter diameters d = 18 mm	446377-0000-000
3-position filter mount, for filter diameters d = 32 mm	452159-0000-000
Conversion filter 3200 ... 5500 K	467850-9901-000
Interference green filter	467803-0000-000
<u>Mechanical stages:</u>	
Mechanical stage 75x50 R with ceramic coating and adjustable coaxial drive 130 mm	453505-9901-000
Mechanical stage 75x50/240° R with ceramic coating and adjustable coaxial drive 130 mm	453502-9905-000
Mechanical stage 75x50 R with ceramic coating and fixed coaxial drive 130 mm	453523-0000-000
Specimen holder with spring clip R	453533-0000-000
<u>Technique modules:</u>	
FL P&C reflector module	000000-1046-281
e.g. with filter sets for epi-fluorescence	
filter set 01 UV excitation H 365	488001-0000-000
filter set 09 blue excitation 450 - 490	488009-0000-000
filter set 15 green excitation H 546	488015-0000-000
DIC/FL analyzer	452374-0000-000
Analyzer module D	000000-1050-958
Optovar module 1.25x	000000-1046-284
Optovar module 1.6x	000000-1046-283
Optovar module 2.5x	000000-1046-282
Dust cover M (medium)	459311-0000-000
Dust cover G (large)	459312-0000-000
Additional accessories	
The "Axioskop 2 <i>plus</i> " routine microscope can be equipped with the following additional accessories:	
Active coobservation equipment, for 2 users	452379-0000-000
Multiobservation equipment	452380-0000-000
Intermediate tube with height adjustment for binocular ergotube / phototube 452341 / 452342	452376-0000-000
Adapter for Axioskop 2 <i>plus</i> to allow the use of tubes / intermediate tubes from the Axioplan 2 line	452969-0000-000
Intermediate tube for image projection from the Axioplan 2 line	452181-9901-000
MC 200 CHIP microscope camera for small format 24 mm x 36 mm	496059-9804-000
MC 200 CHIP microscope camera for large format photography	496060-9804-000

1.4 Axioskop 2 mot plus microscope configurations and modules

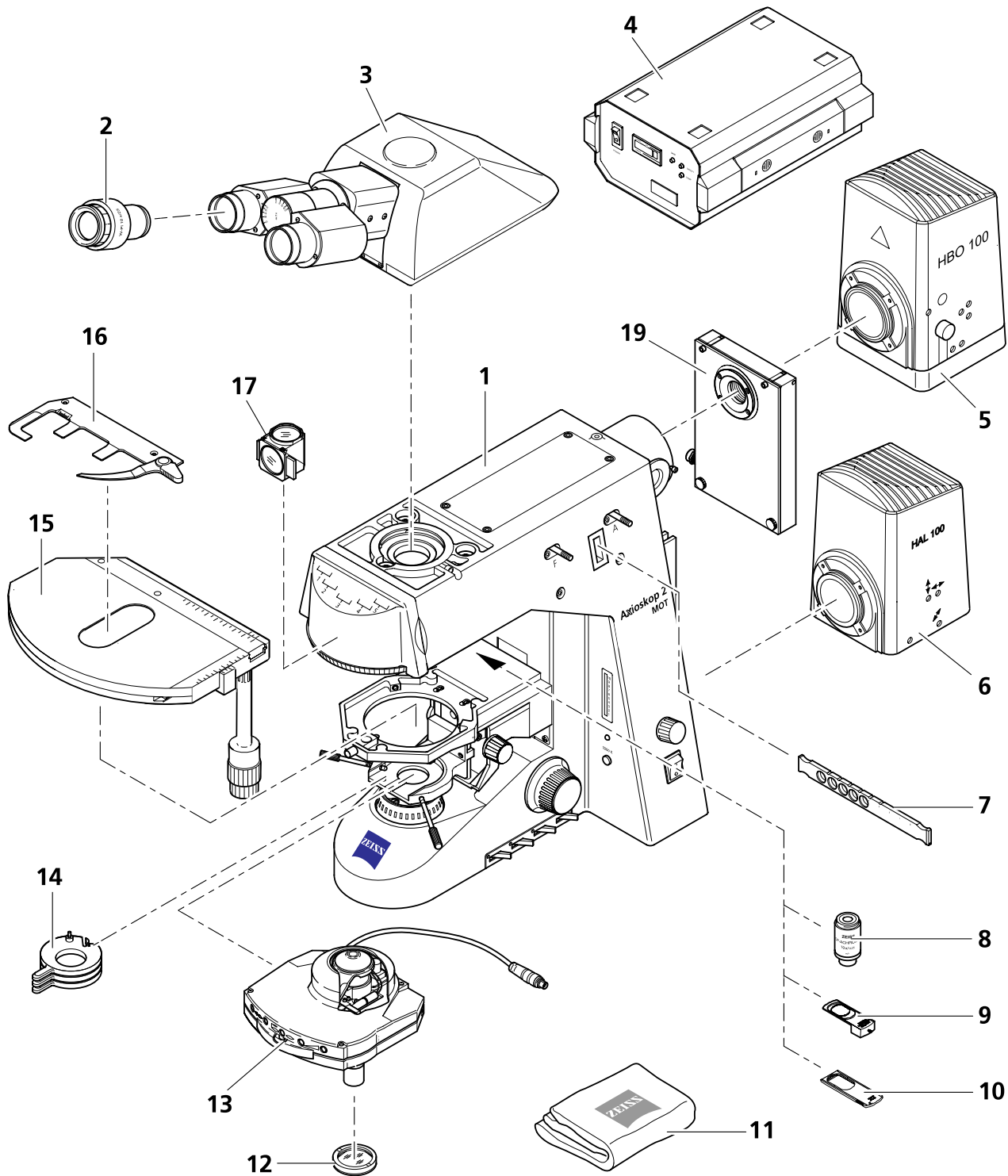


Fig. 1-2 Axioskop 2 mot plus microscope configurations

Key to Fig. 1-2:

- 1 Stand
- 2 Eyepiece
- 3 Binocular ergotube 6-25°/23
- 4 HBO 100 W transformer
- 5 HBO 103 illuminator
- 6 HAL 12 V 100 W halogen illuminator
- 7 FL filter slider
- 8 Objective
- 9 DIC slider
- 10 Compensator λ
- 11 Dust cover
- 12 DIC prism
- 13 Achromatic-aplanatic universal condenser 0,9 H D DIC *mot*
- 14 Filter mount
- 15 Mechanical stage 75x50/240° R
- 16 Specimen holder with spring clip R
- 17 FL P&C reflector module
- 18 8-position FL excitation filter wheel

Axioskop 2 <i>mot plus</i> microscope configurations	Cat. No.
<p>Configurations</p> <p>The "Axioskop 2 <i>mot plus</i>" routine microscope is offered in the following configurations:</p> <p>for transmitted-light brightfield with Achromplan objectives 4x, 10x, 20x, 40x and 100x</p> <p>for transmitted-light brightfield and phase contrast with Plan-Neofluar objectives 2.5x, 10x Ph 1, 20x Ph 2, 40x Ph 2 and 100x Ph 3</p> <p>for transmitted-light brightfield and interference contrast with Plan-Neofluar objectives 10x, 20x, 40x and 100x</p> <p>for epi-fluorescence and transmitted-light phase contrast with Plan-Neofluar objectives 2.5x/0.075, 10x Ph 1, 20x Ph 2, 40x, 100x</p>	
<p>Modules</p> <p>The "Axioskop 2 <i>mot plus</i>" routine microscope consists of the following modules:</p>	
<p>"Axioskop 2 <i>mot plus</i>" microscope stand with coded 5-position reflector turret, drive for motor focusing, 5-position nosepiece H DIC W 0.8", integrated 12 V DC 100 W power unit MOT (stabilized), transmitted-light equipment, stage and condenser carrier, FL incident light and HBO/XBO adjusting aid</p>	452311-0000-000
<p><u>Eyepieces:</u></p>	
<p>W-PL 10x/23 Br. foc.</p>	000000-1016-758
<p>PL 10x/23 Br. foc.</p>	000000-1026-548
<p><u>Tubes:</u></p>	
<p>Binocular tube 30°/23</p>	452340-0000-000
<p>Binocular phototube 30°/23 (30/70)</p>	452344-0000-000
<p>Binocular ergotube 6-25°/23</p>	452341-0000-000
<p>Binocular ergo-phototube 6-25°/23 (100/0 or 0/100)</p>	452342-0000-000
<p><u>Illuminators:</u></p>	
<p>HAL 12 V 100 W halogen illuminator</p>	447219-0000-000
<p>HBO 103 illuminator</p>	487211-9804-000
<p>HBO 100 W transformer for HBO 100 W/2 and HBO 103 W/2</p>	458451-9901-000
<p><u>Objectives</u> see also section 0)</p>	
<p><u>DIC slider:</u></p>	
<p>DIC slider 10x/0.30 I</p>	444431-0000-000
<p>DIC slider 20x/0.50 II</p>	444437-0000-000
<p>DIC slider 40x/0.75 II</p>	444463-0000-000
<p>DIC slider 100x/1.30 III</p>	444480-0000-000
<p>Compensator λ, 6x20</p>	473704-0000-000
<p><u>DIC prisms with polarizer:</u></p>	
<p>DIC prism I / 0.9</p>	000000-1005-002
<p>DIC prism II / 0.9</p>	000000-1005-003
<p>DIC prism III / 0.9</p>	000000-1005-004
<p><u>Condensers:</u></p>	
<p>Achromatic-aplanatic universal condenser 0.9 H MOT</p>	445437-0000-000
<p>Achromatic-aplanatic universal condenser 0.9 H D Ph MOT</p>	444338-0000-000
<p>Achromatic-aplanatic universal condenser 0.9 H D Ph DIC MOT</p>	445440-0000-000

Axioskop 2 <i>mot plus</i> microscope configurations	Cat. No.
Modules	
<u>Polarizers:</u>	
SENARMONT DIC polarizer	453622-0000-000
Rotary polarizer D	453620-0000-000
Circular polarizer D	453623-0000-000
<u>Filters:</u>	
6-position FL filter slider, for filter diameters d = 18 mm	446377-0000-000
3-position filter mount, for filter diameters d = 32 mm	452159-0000-000
Conversion filter 3200 ... 5500 K	467850-9901-000
Interference green filter	467803-0000-000
<u>Mechanical stages:</u>	
Mechanical stage 75x50 R with ceramic coating and adjustable coaxial drive 130 mm	453505-9901-000
Mechanical stage 75x50/240° R with ceramic coating and adjustable coaxial drive 130 mm	453502-9905-000
Mechanical stage 75x50 R with ceramic coating and fixed coaxial drive 130 mm	453523-0000-000
Mechanical stage 75x50 R with ceramic coating and electronic vernier scale (optional)	453507-9901-000
Scanning stage DC (optional)	453585-9901-000
Specimen holder with spring clip R	453533-0000-000
<u>Technique modules:</u>	
FL P&C reflector module	000000-1046-281
e.g. with filter sets for epi-fluorescence	
filter set 01 UV excitation H 365	488001-0000-000
filter set 09 blue excitation 450 - 490	488009-0000-000
filter set 15 green excitation H 546	488015-0000-000
DIC/FL analyzer	452374-0000-000
Analyzer module D	000000-1050-958
Optovar module 1.25x	000000-1046-284
Optovar module 1.6x	000000-1046-283
Optovar module 2.5x	000000-1046-282
Dust cover M (medium)	459311-0000-000
Dust cover G (large)	459312-0000-000
Additional accessories	
The "Axioskop 2 <i>mot plus</i> " routine microscope can be equipped with the following additional accessories:	
Active coobservation equipment, for 2 users	452379-0000-000
Multiobservation equipment	452380-0000-000
Intermediate tube with height adjustment for binocular ergotube / phototube 452341 / 452342	452376-0000-000
Adapter for Axioskop 2 to allow the use of tubes / intermediate tubes from the Axioplan 2 line	452969-0000-000
Intermediate tube for image projection from the Axioplan 2 line	452181-9901-000
MC 200 CHIP microscope camera for 24 mm x 36 mm	496059-9804-000
MC 200 CHIP microscope camera for large-format photography	496060-9804-000
Motorized, 8-position FL excitation filter wheel, for filter diameters d = 25 mm	000000-1008-106
Microscope control software	412237-9100-000
Notebook (optional)	412237-9007-000
Cable for serial PC interface RS 232 (optional)	457411-9012-000

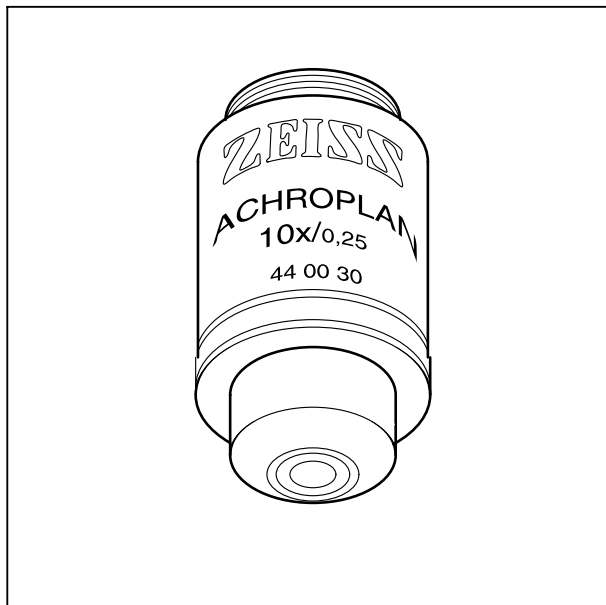


Fig. 1-3 Objective

1.5 Objectives

The objectives are the optical centerpiece of the microscope. The following is an example of how objectives can be labelled:

Achroplan 10x/0.25 ∞ 0.17

where

10x : objective magnification, with a defined color ring on the objective being allocated to each magnification step (Zeiss color code)

0.25 : numerical aperture

∞ : infinite image distance; these objectives can only be used with ICS microscopes from Carl Zeiss

0.17 : can only be used with cover slip thickness $D = 0.17$ mm

or

– : can be used with cover slip thickness $D = 0$ or 0.17 mm

Other labels:

Oil : oil immersion objective

Ph 2 : phase contrast objective with a green color ring and phase stop Ph 2

Color ring code for objective magnification

Color ring on objective	black	brown	red	orange	yellow	green	light blue	dark blue	white
Magnification factor	1.25x	2.5x	4x; 5x	6.3x	10x	16x; 20x; 25x; 32x	40x; 50x	63x	100x; 150x

The objective magnification multiplied with the eyepiece magnification (minimum 10x) results in the visual overall magnification: e.g. $10 \times 10 = 100x$.

When working with the microscopes, the total magnification should not drop below or exceed the range of useful magnification. The range of useful magnification was defined by Ernst ABBE as 500 to 1000 times the numerical aperture of the used objective. No further details are resolved above that limit. The range of useful magnification for an objective with a numerical aperture of 0.25 is between 125 and 250x accordingly.

The exact observance of the cover slip thickness of 0.17 mm is all the more necessary the higher the numeric aperture of the objective. Therefore, certain objectives can be set for different cover slip thickness (due to correction mount). For this, a specimen area is searched, and the position of the correction ring where optimum focus and image contrast are obtained is determined (refocusing is always required).

When immersion objectives are used, the air between the cover slip and the objective is replaced with a liquid, which is immersion oil in most cases. The plastic oiler containing 20 ml of 581 N immersion oil ($n_D = 1.515$) is particularly suitable for this purpose.

To prevent oil contamination of the specimen when the nosepiece is turned, the resilient mounts of the immersion objectives can be locked in their lifted position by turning them to the right (do not forget to unlock them again!).

The following objectives are ideal for the Axioskop 2 plus and Axioskop 2 mot plus microscopes:

Microscopy technique	Objective	Magnification / Num. Aperture	Free working distance in mm	Cover slip thickness D in mm	Cat.No.
Transmitted-light brightfield	A-Plan				
	A-Plan	5x/0.12	9.9	-	441020-0000-000
	A-Plan	10x/0.25	4.4	-	441030-0000-000
	A-Plan	20x/0.45	0.53	0.17	441040-0000-000
	A-Plan	40x/0.65	0.43	0.17	441050-0000-000
Phase contrast	A-Plan	100x/1.25 Oil	0.22	0.17	441080-0000-000
	A-Plan	10x/0.25 Ph 1	4.4	-	441031-0000-000
	A-Plan	20x/0.45 Ph 2	0.53	0.17	441041-0000-000
	A-Plan	40x/0.65 Ph 2	0.43	0.17	441051-0000-000
	A-Plan	100x/1.25 Oil Ph 3	0.22	0.17	441081-0000-000
Transmitted-light brightfield	Achroplan				
	Achroplan	4x/0.10	11.1	-	440020-0000-000
	Achroplan	10x/0.25	4.8	-	440030-0000-000
	Achroplan	20x/0.45	2.07	0.17	440040-0000-000
	Achroplan	40x/0.65	0.59	0.17	440050-0000-000
	Achroplan	50x/0.90 Oil	0.29	0.17	440057-0000-000
	Achroplan	63x/0.80	0.29	0.17	440060-0000-000
	Achroplan	63x/0.95	0.15	0 (no cover slip)	440068-0000-000
	Achroplan	100x/1.25 Oil	0.19	0.17	440080-0000-000
	Achroplan	100x/1.25 Oil Iris	0.19	0.17	440086-0000-000
Phase contrast	Achroplan	10x/0.25 Ph 1	4.8	-	440031-0000-000
	Achroplan	20x/0.45 Ph 2	2.07	0.17	440041-0000-000
	Achroplan	40x/0.65 Ph 2	0.59	0.17	440051-0000-000
	Achroplan	100x/1.25 Oil Ph 3	0.19	0.17	440081-0000-000
Transmitted-light brightfield	Plan-Neofluar				
	Plan-Neofluar	2.5x/0.075	9.3	-	440310-0000-000
	Plan-Neofluar	5x/0.15	13.6	-	440320-0000-000
	Plan-Neofluar	10x/0.30	5.6	0.17	440330-0000-000
	Plan-Neofluar	20x/0.50	1.3	0.17	440340-0000-000
	Plan-Neofluar	40x/0.75	0.47	0.17	440350-9902-000
	Plan-Neofluar	100x/1.30 Oil	0.06	0.17	440480-0000-000
Phase contrast	Plan-Neofluar	10x/0.30 Ph 1	5.6	0.17	440331-0000-000
	Plan-Neofluar	20x/0.50 Ph 2	1.3	0.17	440341-0000-000
	Plan-Neofluar	40x/0.75 Ph 2	0.47	0.17	440351-9902-000
	Plan-Neofluar	100x/1.30 Oil Ph 3	0.06	0.17	440481-0000-000
Transmitted-light brightfield	Plan-Apochromat				
	Plan-Apochromat	40x/1.00 Oil Iris	0.31	0.17	440756-0000-000
	Plan-Apochromat	63x/1.40 Oil	0.09	0.17	440760-0000-000
	Plan-Apochromat	100x/1.40 Oil	0.09	0.17	440780-0000-000

1.6 Eyepieces

The following eyepieces are offered for the Axioskop 2 *plus* and Axioskop 2 *mot plus*:

Eyepiece	Image angle	Application	Cat. No.
Eyepiece W-PL 10x/23 Br. foc. (2x)	49.4°	with all tubes, see pp. 1-6, 1-10	455043-0000-000, aspheric
Eyepiece W-PL 10x/23 Br. foc. (2x)	49.4°	with all tubes, see pp. 1-6, 1-10	000000-1016-758
Eyepiece PL 10x/23 Br. foc. (2x)	49.4°	with all tubes, see pp. 1-6, 1-10	000000-1026-548

W-PL and PL in the eyepiece name refers to the excellent image flatness up to the edge of the field of view. PL 10x/23 Br. foc. eyepieces ensure excellent optical correction, particularly in combination with the ergotubes. If required, eyecups for the eyepieces can be ordered under Cat.No. 444801.

1.7 Stage micrometers and eyepiece reticles

Measuring and counting using the microscope requires stage micrometers and eyepiece reticles, a selection of which is listed below:

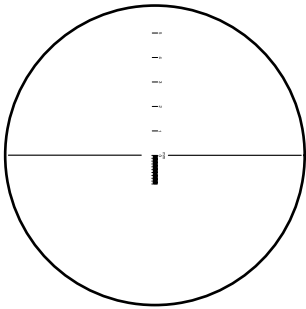
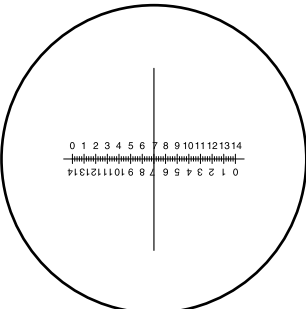
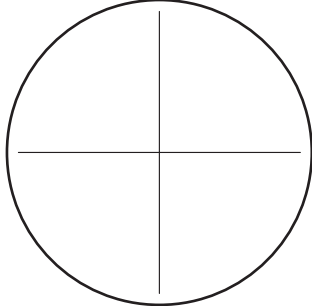
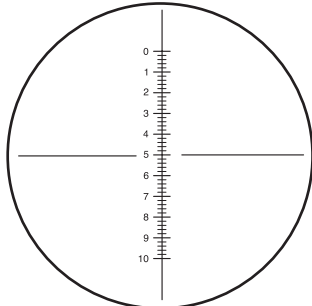
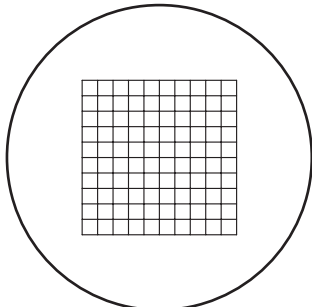
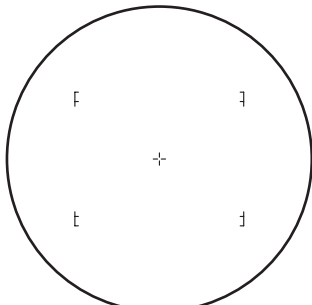
Illustration	Description, Technical Data	Cat. No.
	Stage micrometer, positive 5 + 100/100 y D = 0.17 mm gradation on the +y-axis: 5 mm in 5 intervals gradation on the -y-axis: 1 mm in 100 intervals with 2 opposing scales = 10 µm, accuracy ±1µm	474026-0000-000
	Crossline micrometer 14:140, d = 26 mm gradation length = 14 mm increments = 0.1mm gradation tolerance ≤ 0.001 mm	454060-0000-000

Illustration	Description, Technical Data	Cat. No.
	<p>Eyepiece reticle / d = 26 mm</p>	<p>474064-0000-000</p>
	<p>Crossline micrometer 10:100, d = 26 mm gradation length = 10 mm increments = 0.1mm gradation tolerance ≤ 0.001 mm</p>	<p>474066-9901-000</p>
	<p>Net micrometer 12.5x12.5/5;10 / d = 26 mm area 12.5x12.5 mm, divided in fields of 10x10</p>	<p>474068-0000-000</p>
	<p>Photo reticle MC 2.5x / d = 26 mm for 35 mm photography with an additional magnification of 2.5x or for large-format photography with a 10x additional magnification.</p>	<p>454075-0000-000</p>



If an eyepiece reticle is used, the binocular tube or the phototube must be equipped with two foc. eyepieces containing an adjustable eyelens, into one of which the eyepiece reticle is mounted.

1.8 Technical Data

Dimensions (width x depth x height)

Axioskop 2 <i>plus</i> / <i>mot plus</i> with phototube and HAL 100.....	approx. 280 mm x 600 mm x 475 mm
Axioskop 2 <i>plus</i> / <i>mot plus</i> with phototube and HBO 103.....	approx. 280 mm x 733 mm x 475 mm
Axioskop 2 <i>plus</i> / <i>mot plus</i> with ergo-phototube and HAL 100.....	approx. 280 mm x 670 mm x 500 mm
Axioskop 2 <i>plus</i> / <i>mot plus</i> with ergo-phototube and HBO 103.....	approx. 280 mm x 800 mm x 500 mm

Weight

Axioskop 2 <i>plus</i>	approx. 18.4 kg
Axioskop 2 <i>mot plus</i>	approx. 22.4 kg

Ambient conditions

Transport (in packaging):

Permissible ambient temperature	-40 to +70 °C
---------------------------------------	---------------

Storage:

Permissible ambient temperature	+10 to +40 °C
Permissible humidity (without condensation).....	max. 75 % at 35 °C

Operation

Permissible ambient temperature	+5 to + 40 °C
Permissible relative humidity	max. 75 % at 35 °C
Altitude	max. 2000 m
Atmospheric pressure	800 hPa to 1060 hPa
Pollution degree	2

Operating data

Operation	closed rooms
Protection class.....	I
Enclosure protection	IP 20
Electrical safety	in compliance with DIN EN 61010 (IEC 61010-1) including CSA and UL directives
Overvoltage category.....	II
Radio interference suppression	in accordance with EN 55011, Class B
Noise immunity	in accordance with DIN EN 61326/ A1

Line voltage	100 to 240 V \pm 10 %
	Change of line voltage is not required!
Line frequency	50 to 60 Hz
Power consumption of Axioskop 2 <i>plus</i>	150 VA
Power consumption of Axioskop 2 <i>mot plus</i>	170 VA

HBO 100 W transformer (HBO 100 W/2 and HBO 103 W/2)

Operation	closed rooms
Protection class	I
Enclosure protection	IP 20
Line voltage	100 to 240 VAC
Line frequency	50 to 60 Hz
Power consumption when HBO 103 is used	155 VA

HBO 50 transformer mbq52ac-z

Operating environment	clean room
Protection class	I
Protection type	IP 20
Line voltage can be changed between	100, 110, 120, 127 VAC and 230, 240 VAC
Line frequency can be changed between	50 and 60 Hz
Power consumption when HBO 50 is used	max. 350 VA

Fuses in accordance with IEC 127

Axioskop 2 <i>plus</i> microscope stand	T 4 A/H, 5x20 mm
Axioskop 2 <i>mot plus</i> microscope stand	T 4 A/H, 5x20 mm
HBO 50AC transformer mbq52ac-z	100 V, 127 V: 2x T 4 A
	220 V to 240 V: 2x T 2.5 A
HBO 100 W transformer	T 2.0 A/H, 5x20 mm

Light sources

Halogen illuminator	HAL 12 V / 100 W
Adjustment of the light source	continuous, 3 to 12 V
Mercury pressure short-arc lamp	HBO 103 W/2
Power consumption for HBO 103 W/2	103 W

Axioskop 2 *plus*:

Stand with manual stage focusing

coarse drive	6 mm / rotation
Fine drive	0.1 mm / rotation; 1 µm increments
lifting range	max. 25 mm
height stop	can be set mechanically

Achromatic-aplanatic universal condenser 0.9 with

swing-in front lens 0.9

for objective magnifications $M_{\text{obj.}} < 10$ swing out front lens 0.9for objective magnifications $M_{\text{obj.}} \geq 10\times$ swing in condenser front lens 0.9

brightfield insert with turret disk with 5 or 7 positions;

..... for brightfield, darkfield

..... for phase contrast 1, 2, 3

.....for DIC I, II, III (changeable)

Objective change..... manually via 6-position nosepiece H DIC, W 0.8"

Change of technique modules..... manually via 5-position reflector turret

Axioskop 2 *mot plus*:

Stand with motorized stage focusing

average step width of the step motor 80 nm

fast stage lowering / lifting in the range of 6 mm

lifting range 25 mm

height stop electronic

focusing speed variable

reproducibility of focus position 0.15 µm (in the focusing range)

Achromatic-aplanatic universal condenser 0.9 MOT

aperture diaphragm, turret disk and front lens motorized

Objective change..... manually via 5-position nosepiece H DIC, W 0.8"

Change of technique modules..... manually via 5-position reflector turret

START-UP

Contents

2	START-UP	2-3
2.1	Initial start-up.....	2-3
2.1.1	Unpacking and installation of the microscope	2-3
2.1.2	Attachment of binocular tube or phototube.....	2-4
2.1.3	Insertion of eyepieces and centering telescope	2-4
2.1.4	Setting of the interpupillary distance of the binocular tube.....	2-6
2.1.5	Setting of viewing height	2-6
2.1.6	Screw in of objectives.....	2-6
2.1.7	Attachment of universal condenser	2-7
2.1.8	Connection to the line	2-8
2.1.9	Switch microscope and HBO 100 W transformer on and off	2-8
2.1.10	HAL 100 halogen illuminator.....	2-9
2.1.11	HBO 103 illuminator	2-10
2.1.12	Connect PC / Laptop to the Axioskop 2 <i>mot plus</i> microscope	2-14
2.1.13	Attachment of round cable holder	2-14
2.2	Attachments and conversions.....	2-15
2.2.1	Changing the condenser	2-15
2.2.2	Changing the phase stop for phase contrast or darkfield in the universal condenser (if required).....	2-16
2.2.3	Changing the DIC prism in the universal condenser.....	2-17
2.2.4	Attachment of filter mount	2-17
2.2.5	Attachment of D polarizer.....	2-18
2.2.6	Attachment of SENARMONT DIC polarizer	2-18
2.2.7	Changing the HAL 100 halogen lamp	2-19
2.2.8	Changing the HBO 103 W/2 mercury pressure short-arc lamp	2-19
2.2.9	Changing the mechanical stage	2-22
2.2.10	Changing the binocular tube.....	2-25
2.2.11	Attachment of intermediate tube with height adjustment	2-26
2.2.12	Attachment of adapter for the Axioskop 2 <i>plus</i>	2-27
2.2.13	Installing and Removing "Push&Click" Modules	2-28
2.2.14	Changing the filter set in the FL P&C reflector module	2-29
2.2.15	Changing the beam splitter in the FL P&C reflector module.....	2-29
2.2.16	Attachment of active coobservation equipment for 2 users.....	2-31
2.2.17	Attachment of multi-observation equipment	2-33
2.2.18	Attachment of intermediate tube for image projection.....	2-35

List of illustrations

Fig. 2-1	Setting up the microscope	2-3
Fig. 2-2	Attachment of binocular tube.....	2-4
Fig. 2-3	Inserting the eyepieces.....	2-4
Fig. 2-4	Inserting the eyepiece reticle.....	2-5
Fig. 2-5	Setting the interpupillary distance of the binocular tube	2-6
Fig. 2-6	Screwing in of objectives	2-6
Fig. 2-7	Attachment of universal condenser.....	2-7
Fig. 2-8	Attachment of universal condenser MOT.....	2-7
Fig. 2-9	Axioskop 2 <i>plus</i> (rear)	2-8
Fig. 2-10	HBO 100 W transformer (front and rear)	2-8
Fig. 2-11	Attachment of HAL 100 halogen illuminator	2-9
Fig. 2-12	Adjustment of HAL 100 halogen illuminator	2-9
Fig. 2-13	Attachment of HBO 103 illuminator	2-10
Fig. 2-14	HBO 100 W transformer	2-11
Fig. 2-15	Adjusting aid	2-11
Fig. 2-16	Adjusting HBO 103.....	2-11
Fig. 2-17	Focal spots of HBO 103 before coarse adjustment.....	2-12
Fig. 2-18	Focal spots of HBO 103 after coarse adjustment.....	2-12
Fig. 2-19	Focal spot imaging via adjusting aid and knurled knob for focusing	2-12
Fig. 2-20	Focal spot imaging without adjusting aid on the mechanical stage.....	2-13
Fig. 2-21	Axioskop 2 <i>mot plus</i> (rear).....	2-14
Fig. 2-22	Changing the condenser	2-15
Fig. 2-23	Attachment of condenser MOT	2-16
Fig. 2-24	Changing the phase stop.....	2-16
Fig. 2-25	Changing the DIC prism	2-17
Fig. 2-26	Attachment of filter mount.....	2-17
Fig. 2-27	Attachment of D polarizer	2-18
Fig. 2-28	Attachment of SENARMONT DIC polarizer	2-18
Fig. 2-29	Changing the halogen lamp	2-19
Fig. 2-30	HBO 100 W transformer	2-20
Fig. 2-31	Removing the HBO 103 illuminator.....	2-20
Fig. 2-32	Removing the housing of the HBO 103.....	2-21
Fig. 2-33	Changing the HBO 103 W/2 mercury pressure short-arc lamp	2-21
Fig. 2-34	Changing the fixed mechanical stage	2-22
Fig. 2-35	Changing the rotary mechanical stage.....	2-22
Fig. 2-36	Centering the rotary mechanical stage	2-23
Fig. 2-37	Setting ergo-drive	2-24
Fig. 2-38	Changing the specimen holder	2-25
Fig. 2-39	Changing the binocular tube	2-25
Fig. 2-40	Attachment of intermediate tube with height adjustment	2-26
Fig. 2-41	Attachment of adapter for the Axioskop 2 <i>plus</i>	2-27
Fig. 2-42	Changing the technique module	2-28
Fig. 2-43	Changing the filter set in the P&C FL reflector module	2-29
Fig. 2-44	Changing the beam splitter	2-29
Fig. 2-45	Changing the beam splitter	2-30
Fig. 2-46	Attachment of active coobservation equipment for 2 users	2-32
Fig. 2-47	Attachment of multi-observation equipment	2-34
Fig. 2-48	Attachment of intermediate tube for image projection	2-35

2 START-UP

The Axioskop 2 *plus* / Axioskop 2 *mot plus* can be installed, converted and started up by the customer himself.

However, it is also possible to have the microscope installed or converted by Zeiss service staff against an extra charge.

 Before installation and start-up of the microscope, make sure to carefully read the **Notes on instrument safety**.

2.1 Initial start-up

2.1.1 Unpacking and installation of the microscope

The basic instrument is supplied in a polyethylene case in cardboard packaging.

It contains the following components: binocular tube, objectives, eyepieces, condenser, 12 V / 100 W illuminator, microscope mat and various small parts, e.g. DIC slider, spare lamp, dust cover, tools bag.

The following components are factory-attached to the microscope stand: mechanical stage, specimen holder, filter mount, technique modules and epi-fluorescence equipment with adjusting aid.

Further, optional accessories are supplied in a separate case.

- Remove all components from the packaging and use delivery note to check for completeness.
- Place instrument (2-1/1) on a vibration-free, flat worktable on the microscope mat (2-1/2). The footprint of the Axioskop 2 *plus* microscope support is 500 mm x 400 mm (width x length).
- Properly dispose of original packaging, or keep it for storage or return of the instrument to the manufacturer.

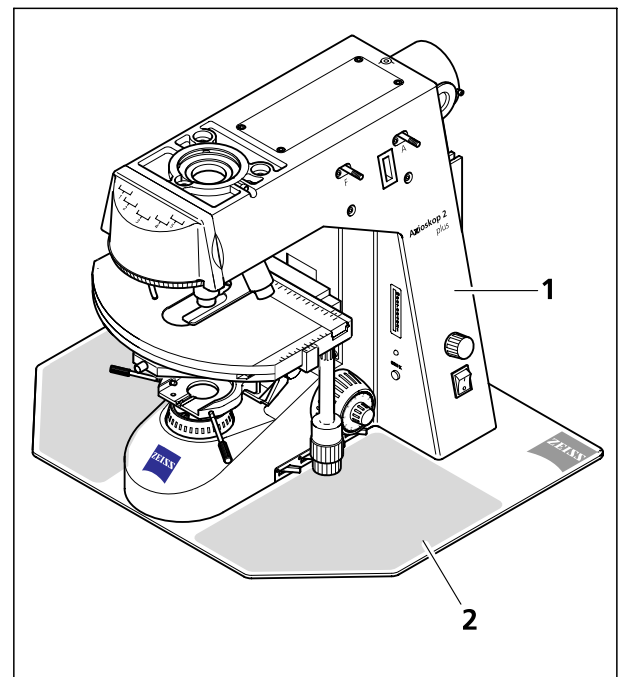


Fig. 2-1 Setting up the microscope

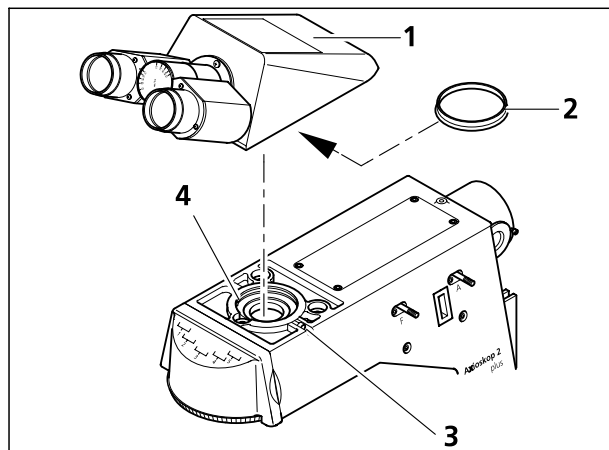


Fig. 2-2 Attachment of binocular tube

2.1.2 Attachment of binocular tube or phototube

All the binocular tubes included in the microscope configurations listed in section 1.3 or 1.4 can be attached to the *Axioskop 2 plus* / *Axioskop 2 mot plus* as described below.

- Loosen hexagonal screw (2-2/3) using the SW3 ball-headed screwdriver. Remove dust covers (2-2/2) from the tube underside and the dovetail mount on the stand.
- Hold the binocular tube (2-2/1) or the binocular phototube in a slightly inclined position and attach it to the stand mount (2-2/4). Turn the binocular tube in the required observation position and tighten the hexagonal screw using the ball-headed screwdriver.

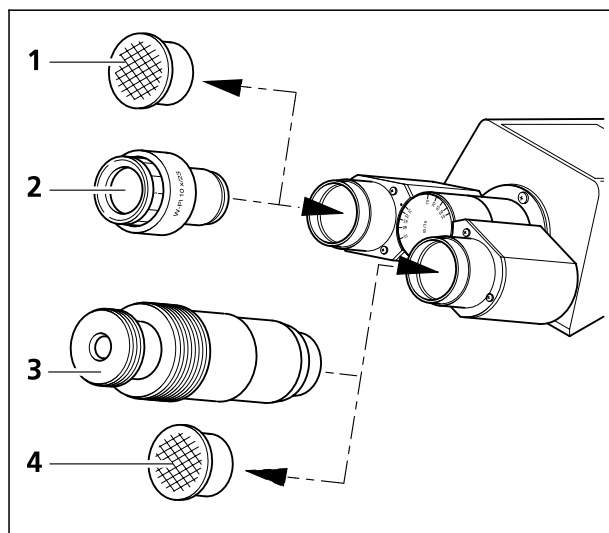



Fig. 2-3 Inserting the eyepieces

2.1.3 Insertion of eyepieces and centering telescope

- Remove both dust covers (2-3/1 and 4) from the binocular tube.
- Remove both eyepieces (2-3/2) from the cases and insert them in the binocular tube until stop.
- The centering telescope (2-3/3), which is used to view the aperture/phase/darkfield stops and to center phase and darkfield stops, can be inserted in one of the tubes instead of an eyepiece. The adjustable eyelens permits focusing on these stops and the setting to be fixed using a clamping screw.

 The eyepieces W-PL 10x/23 Br. foc. and PL 10x/23 Br. foc. can be used with all tubes (see pp. 1-6, 1-10).

Inserting the eyepiece reticle

The eyepieces PL 10x/23 Br. foc. are intended for use with eyepiece reticles.

The slight image shift caused by the additional path through the glass is taken into account on the diopter scale by the fact that the zero point position is indicated not by the white dot (2-4/**W**), but by the red dot (2-4/**R**).

The eyepiece reticles (2-4/**1**) have been adhered to screw-in mounts (2-4/**2**) by the manufacturer to allow easy replacement.

To replace an eyepiece reticle, only remove screw-in mount (2-4/**2**) with eyepiece reticle (2-4/**1**) and replace it with a screw-in mount containing the required eyepiece reticle.

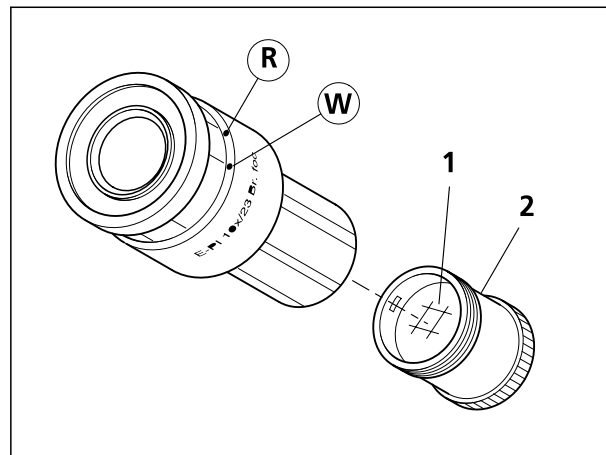


Fig. 2-4 Inserting the eyepiece reticle



If eyepiece reticles are inserted into the unscrewed mount by the customer, attention must be paid to the labelling being visible the right way up after insertion.

Compensation of ametropia when eyepiece reticles are used

The correct use of an eyepiece reticle requires two focusing eyepieces, e.g. E-PL 10x/23 Br. foc., to allow the user to compensate for differences in the visual performance of his two eyes.

- Use the focusing eyepiece to focus on the line figure of the eyepiece reticle; focus on the edge of the field of view if no eyepiece reticle is used.
- Use the focusing drive to focus on the microscope image of a specimen through the eyepiece set as described above.
- Then use the second focusing eyepiece to focus the microscope image for the second eye. The position of the focusing drive on the microscope stand must not be changed.

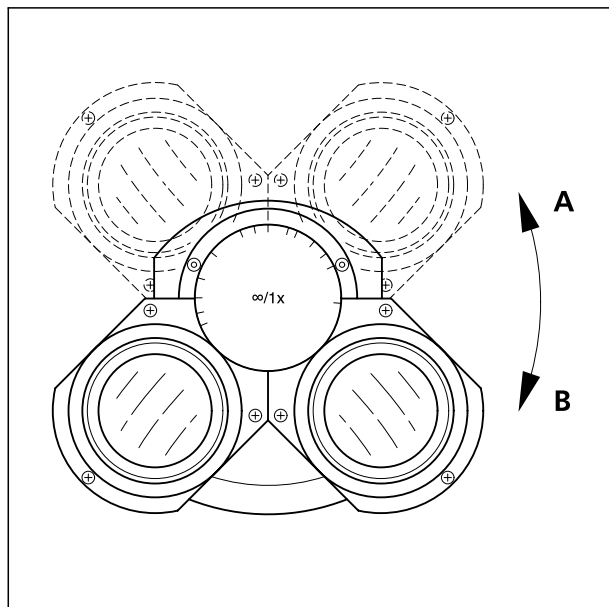


Fig. 2-5 Setting the interpupillary distance of the binocular tube

2.1.4 Setting of the interpupillary distance of the binocular tube

The eyepiece distance is matched to the user's individual interpupillary distance by swinging the eyepiece tubes symmetrically towards one another (2-5/A and 2-5/B).

2.1.5 Setting of viewing height

The viewing height can be set continuously in the range from 6 to 25° by changing the viewing angle of the two ergotubes. Furthermore, the binocular component of the ergotubes can be swivelled by 180°.

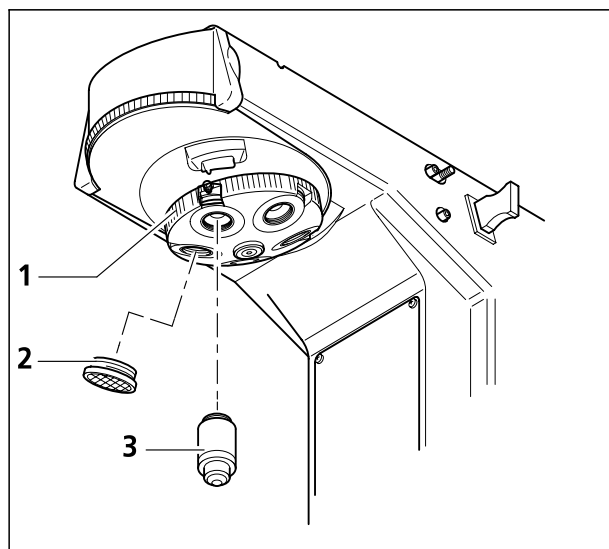


Fig. 2-6 Screwing in of objectives

2.1.6 Screw in of objectives


- Move mechanical stage with carrier to the lower stop position.
- Remove dust caps (2-6/2) from the respective openings in the nosepiece.
- Remove objectives (2-6/3) from case and screw them in nosepiece (2-6/1) clockwise one by one, starting with the lowest magnification. In the case of the *Axioskop 2 mot plus*, start with objective position No. 1 of the coded nosepiece.



Make sure to use the dust protection caps on those nosepiece eyes which are not currently required.

2.1.7 Attachment of universal condenser

- Move stage carrier to the upper stop position via the focusing drive.
- Use lever (2-7/8) to fold out the front lens on the condenser or, in the case of the motorized version, swing it out by pressing the respective key. Unscrew both centering screws (2-7/3) until their ends are no longer visible.
- In the case of the motorized condenser (Axioskop 2 mot plus), plug connecting cable in the socket on the left front of the stand (2-8/1) and tighten screwing ring.
- Move condenser carrier (2-7/2) to the lowest position via drive for height adjustment (2-7/5).
- Insert condenser (2-7/1) between condenser carrier (2-7/2) and stage carrier (2-7/4). Orient the locking screw on the underside of the condenser in the direction of the groove (2-7/7).
- Press dovetail of the condenser against the spring mount (2-7/6) of the condenser carrier until the condenser can be placed horizontally on the condenser carrier.
- Let condenser go smoothly, the stud screw will lock in position at the front of groove (2-7/7).
- Screw in centering screws until they engage in the dovetail of the condenser.

 Other condensers which can be used are for example the achromatic-aplanatic condenser 1.4 H DIC as well as others from the Axioplan 2 line.

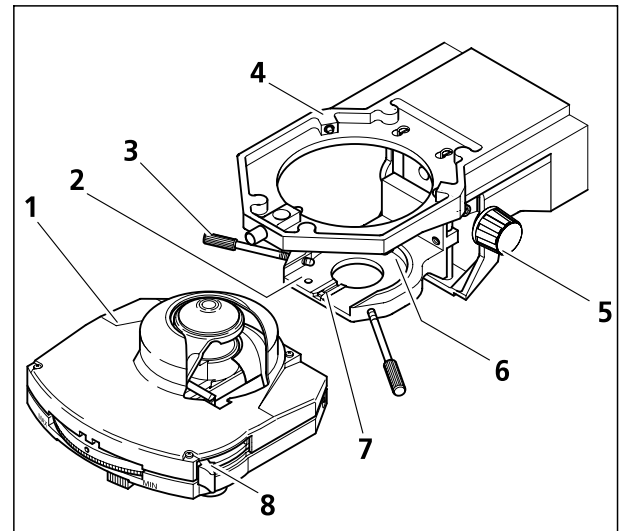


Fig. 2-7 Attachment of universal condenser

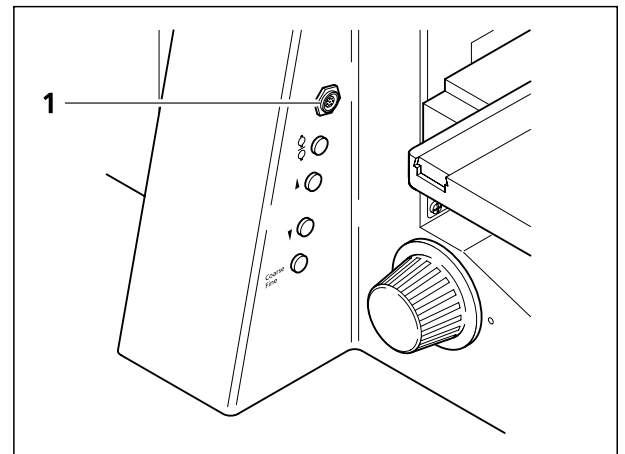
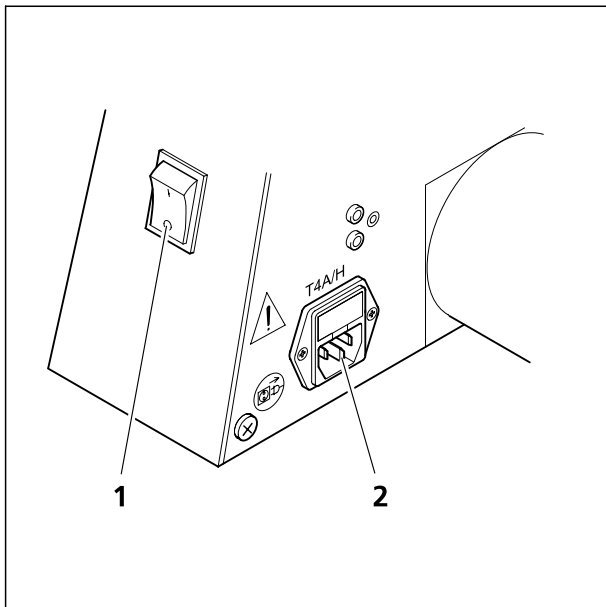
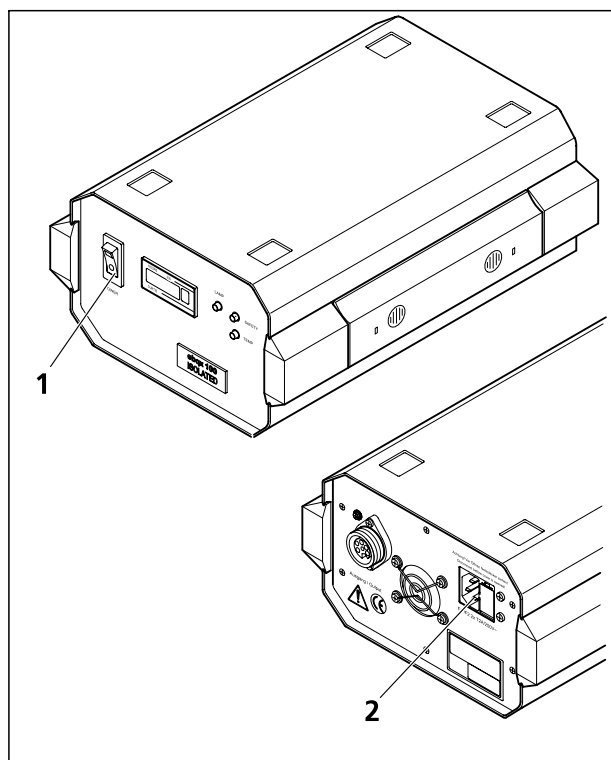


Fig. 2-8 Attachment of universal condenser MOT

Fig. 2-9 Axioskop 2 *plus* (rear)

2.1.8 Connection to the line

- Connect microscope socket (2-9/2) to the line socket via a line cable. The microscope can be connected to line voltage between 100 and 240 VAC, 60 - 60 Hz. The power unit sets itself **automatically** to the available line voltage within this range.
- The HBO 103 illuminator (for epi-fluorescence) is supplied via a separate transformer. The HBO 100 W transformer must be connected to the line via its line socket (2-10/2).

Fig. 2-10 HBO 100 W transformer
(front and rear)

2.1.9 Switch microscope and HBO 100 W transformer on and off

- Switch the microscope on and off using the line switch (2-9/1).
- Switch the HBO 100 W transformer on and off using the line switch (2-10/1).

2.1.10 HAL 100 halogen illuminator

(1) Attachment of HAL 100 halogen illuminator

- Remove cover from transmitted-light tube (2-11/3).
- Insert dovetail 2-12/2 of lamp housing (2-11/1) in transmitted-light tube (2-11/3) on the instrument rear and use the SW 3 ball-headed screwdriver to tighten clamping screw (2-11/2).
- Connect 3-pin lamp plug (2-11/5) to 3-pin 12 V/100 W socket (2-11/4) on the instrument rear.

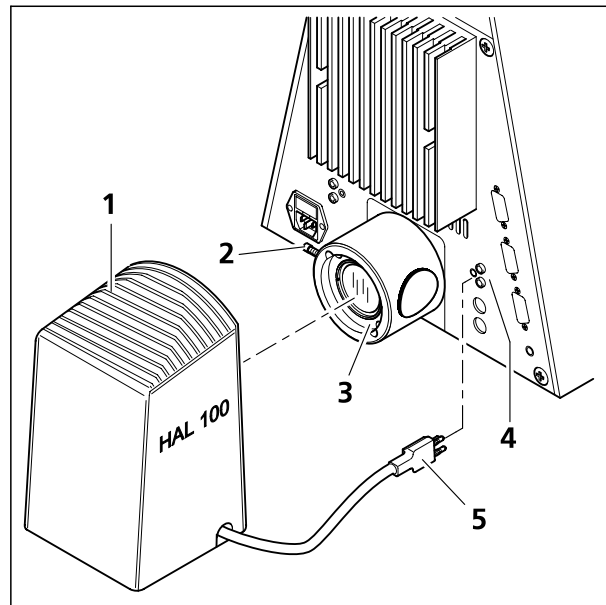


Fig. 2-11 Attachment of HAL 100 halogen illuminator

(2) Adjustment of HAL 100 halogen illuminator

a) Coarse adjustment

- Loosen clamping screw (2-11/2) and remove the halogen illuminator from the microscope stand.
- Switch on microscope as described under 0.
- Direct the light beam against a projection area (wall) approx. 3 m away.



Do not look into the light exit opening of the illuminator.

- Set adjusting screw (2-12/3) using SW 3 ball-headed screwdriver in such a way that both images of the lamp coil are as sharply focused as possible on the projection screen.
- Then set adjusting screws (2-12/4 and 5) in such a way that the lamp coil of one image exactly fills the gaps in the reflector image (2-12/1).

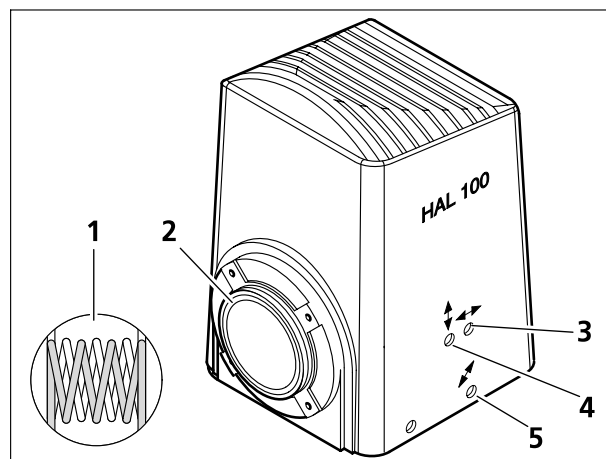
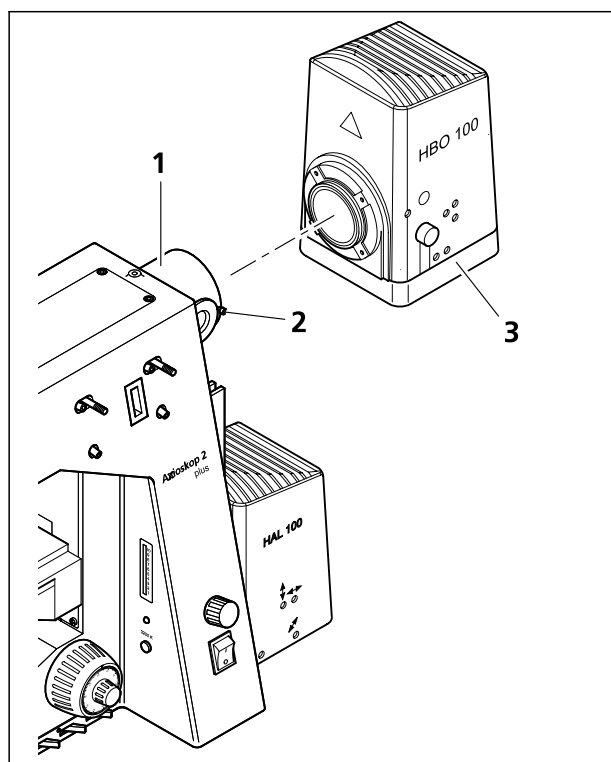


Fig. 2-12 Adjustment of HAL 100 halogen illuminator

b) Fine adjustment

- Attach illuminator to the stand again and tighten clamping screw (2-11/2).
- Remove diffusion disk (3-1/15) and filters (3-1/18), if switched in, from the beam path.
- Focus on the specimen using objective $\leq 40x$ and search for a free object area.
- Remove eyepiece and center lamp coil and its reflector image in the pupil image using adjusting screws (2-12/4 and 5).
- Use adjusting screws (2-12/3) to optimize the homogeneous illumination of the pupil image.
- Switch in diffusion disk and required filters.

**Fig. 2-13 Attachment of HBO 103 illuminator****2.1.11 HBO 103 illuminator****(1) Attach HBO 103 W/2 mercury vapor short-arc lamp**

The HBO 103 illuminator and the HBO 103 W/2 mercury vapor short-arc lamp are supplied in separate packages for safety reasons.

Therefore, insertion of the HBO 103 W/2 lamp into the lamp housing is the first step to the start-up of this illuminator.

Insertion of a new HBO 103 W/2 lamp is described in detail on page 2-19, section 2.2.8 entitled "Changing the HBO 103 W/2 mercury vapor short-arc lamp".

(2) Attachment of HBO 103 illuminator

- Remove cover from the incident-light tube (2-13/1).
- Insert dovetail of lamp housing in incident-light tube (2-13/1) on the instrument rear and use SW 3 ball-headed screwdriver to tighten clamping screw (2-13/2).

- Insert multi-pin plug of the HBO 103 illuminator (2-13/3) into socket (2-14/2) of the HBO 100 W transformer and secure it with captive coupling ring.
- Connect line cable to socket (2-14/1) of the HBO 100 W transformer first, then connect it to the line.

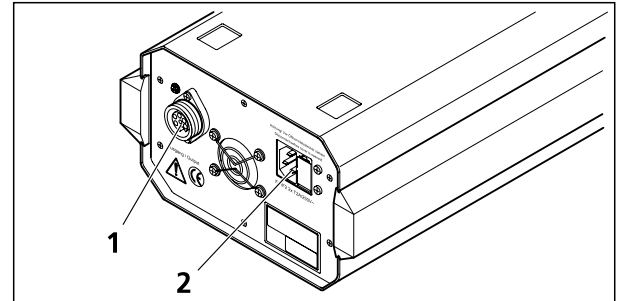


Fig. 2-14 HBO 100 W transformer

(3) Adjustment of HBO 103

Adjustment of the HBO 103 illuminator described below is performed in two steps: coarse adjustment and subsequent fine adjustment. The latter can be performed with or without adjusting aid (2-15/2) on the incident-light tube (2-15/1).

Coarse adjustment:

- Remove HBO 103 illuminator from the microscope stand by loosening clamping screw (2-13/2).
- Switch on HBO 103 on HBO 100 W transformer (2-10/1) and allow it to heat to operating temperature. Make sure not to look into the light exit opening of the illuminator.
- Direct light beam against a projection area (wall) approx. 3 m away.
- Used knurled knob (2-16/6) to focus on the brighter focal spot via collector adjustment.
- Use adjusting screw (2-16/4) and SW 3 ball-headed screwdriver to locate and focus on the slightly darker, reflected focal spot.
- Use adjusting screws (2-16/1 and 3) and SW 3 ball-headed screwdriver to set the height and side of the brighter focal spot in the same way as the focal spot image (2-18).

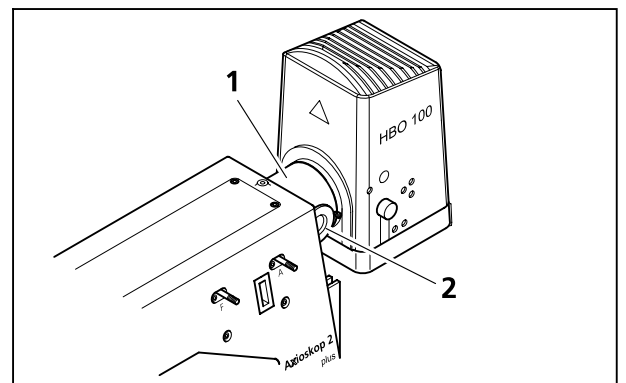


Fig. 2-15 Adjusting aid

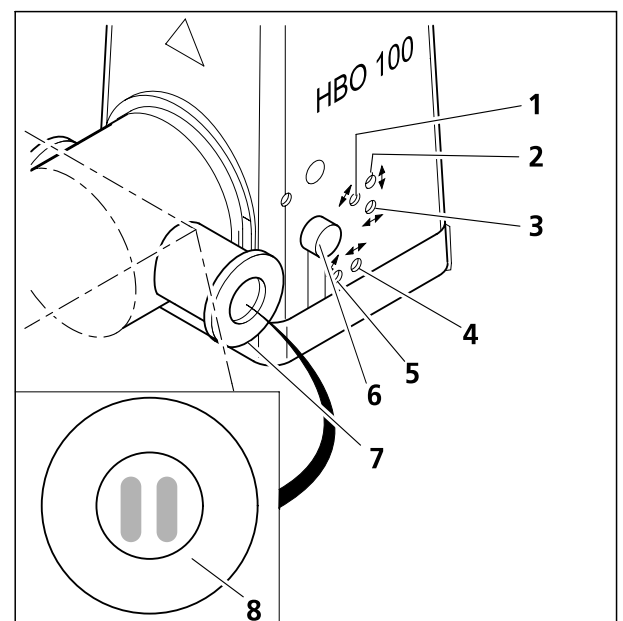


Fig. 2-16 Adjusting HBO 103



Fig. 2-17 Focal spots of HBO 103 before coarse adjustment

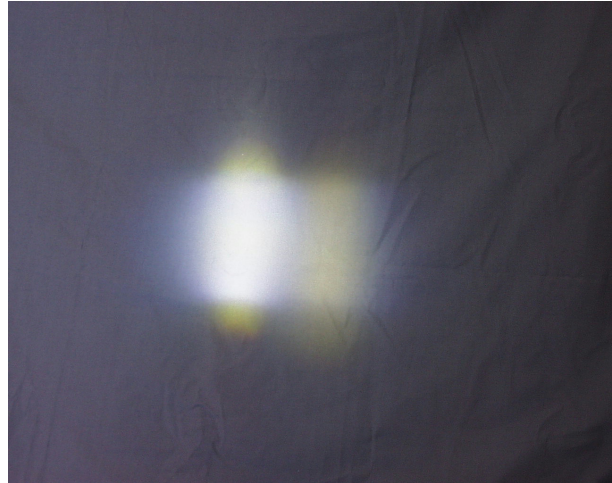



Fig. 2-18 Focal spots of HBO 103 after coarse adjustment

 The adjusting screws (2-16/2 and 5) should not be changed during coarse adjustment of the focal spots because they influence the reflector setting in the HBO 103 illuminator.

If required, the above settings for coarse adjustment of the HBO 103 illuminator can be performed repeatedly.

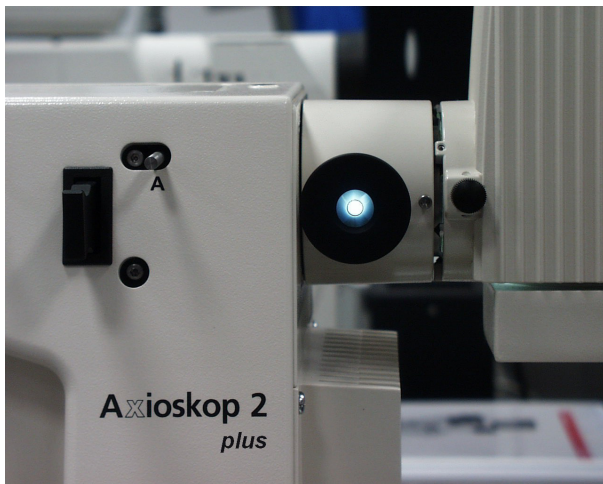



Fig. 2-19 Focal spot imaging via adjusting aid and knurled knob for focusing

Fine adjustment using adjusting aid

- Attach HBO 103 illuminator to microscope stand as described in section 2.1.11 (2).
- Pull adjusting aid (2-15/2) out of the incident-light tube (2-15/1). The brighter focal spot of the HBO 103 W/2 lamp and its slightly darker reflector image become visible in the black glass window of the adjusting aid.
- Use knurled knob (2-16/6 or 2-19) to focus on the brighter focal spot via collector adjustment.
- Apply SW 3 ball-headed screwdriver on adjusting screw (2-16/4) to focus on the slightly darker, reflected focal spot of the lamp.

- If required, set knurled knob (2-16/6) and adjusting screw (2-16/4) alternately until both focal spots have the same dimension (see Fig. 2-18).
- Use adjusting screws (2-16/1 and 3) to adjust the brighter focal spot in the adjusting circle, e.g. on the left side, in the same way as the focal spot image (2-19).
- Use adjusting screws (2-16/2 and 5) to adjust the dark focal spot in the adjusting circle, e.g. on the right side, in the same way as the focal spot image (2-16/7 and 2-18).
- Push in adjusting aid again.

 The two focal spots of the HBO 103 W/2 lamp must **not** superimpose in the adjusting circle of the adjusting aid!

If required, the above settings for fine adjustment of the HBO 103 illuminator can be performed repeatedly.

Fine adjustment without adjusting aid

- Attach HBO 103 illuminator to microscope stand as described in section 2.1.11 (2).
- Remove one objective from the nosepiece and switch empty opening in function position.
- Place a white sheet of paper on the mechanical stage.
- Fully open the precentered luminous-field and aperture diaphragms in the incident-light illumination beam path.
- The pupil image with the two focal spot images is now visible on the white sheet of paper. If required, reduce light intensity using attenuation filters in the 3-position or 6-position filter slider.
- Use knurled knob (2-16/6) to focus on the brighter focal spot via collector adjustment.
- Apply SW 3 ball-headed screwdriver on adjusting screw (2-16/4) to focus on the slightly darker, reflected focal spot of the lamp.
- If required, set knurled knob (2-16/6) and adjusting screw (2-16/4) repeatedly until both focal spots have the same dimension.
- Use adjusting screws (2-16/1 and 3) to set the brighter focal spot in accordance with Fig. 2-20.
- Use adjusting screws (2-16/2 and 5) to set the darker focal spot in accordance with Fig. 2-20.

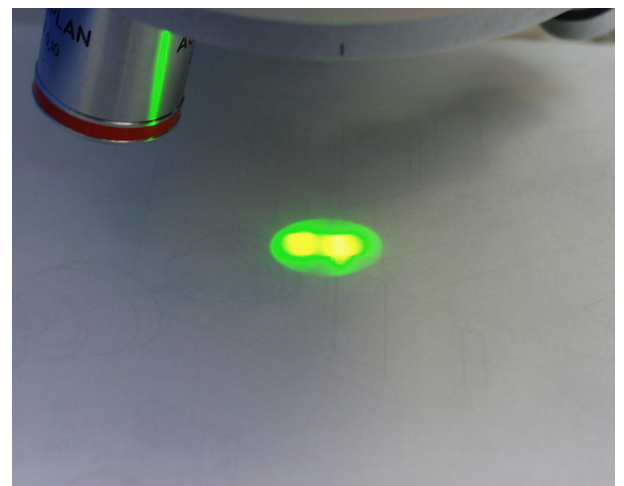


Fig. 2-20 Focal spot imaging without adjusting aid on the mechanical stage

2.1.12 Connect PC / Laptop to the Axioskop 2 *mot plus* microscope

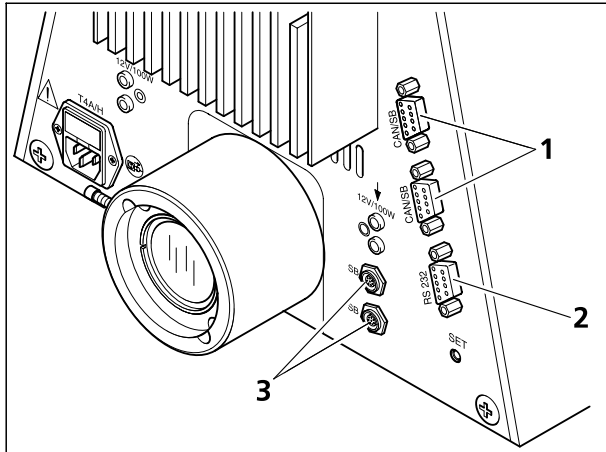


Fig. 2-21 Axioskop 2 *mot plus* (rear)

Connect the PC to the Axioskop 2 *mot plus* microscope via the RS-232 serial interface (2-21/2) on the instrument rear.


Other interfaces on the instrument rear are designed as SUB-BUS (2-21/3) and combined CAN/SUB-BUS (2-21/1) connectors.

2.1.13 Attachment of round cable holder

The round cable holder supplied with the mechanical stages is suitable to hold and attach electric cables, e.g. cables of dictating machines. The round cable holder should be adhered to a suitable place on the microscope stand.

The round cable holder is also suitable for holding and storing the size 2 screwdriver on the microscope stand, e.g. behind the nosepiece or at any other freely accessible position of the stand.

2.2 Attachments and conversions

 The steps required for attachments to and conversions of the microscope are explained in the following. After this, the respective modules must be reset in a functioning status again.

2.2.1 Changing the condenser

- Move stage carrier to the upper stop position via the focusing drive.
- Use lever (2-22/8) to fold out the front lens on the available condenser or, in the case of the motorized version, swing it out by pressing the respective key.
- Move condenser carrier (2-22/2) to the lowest position via drive for height adjustment (2-22/5).
- In the case of the motorized condenser (Axioskop 2 mot plus), loosen screwing ring (2-23/1, on the left of the stand) of connecting cable and pull off the connecting cable.
- Unscrew both centering screws (2-22/3) until condenser can be easily taken out of its mount.
- Lift available condenser from the orientation groove by slightly tilting it upwards and pull it out to the front.
- Use lever (2-22/8) to fold out the front lens on the condenser to be inserted or, in the case of the motorized version, swing it out by pressing the respective key.
- Insert condenser 2-22/1 between condenser carrier (2-22/2) and stage carrier (2-22/4). Orient the locking screw on the underside of the condenser in the direction of the groove (2-22/7).
- Press dovetail of condenser against the spring mount (2-22/6) of the condenser carrier until the condenser can be placed on the condenser carrier horizontally.
- Let condenser go smoothly; the screw will lock in position in the groove (2-22/7) at the front.
- Screw in centering screws until they engage in the dovetail.

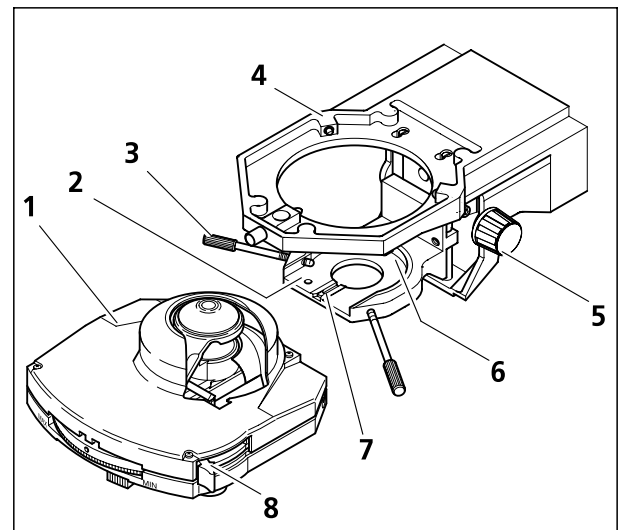


Fig. 2-22 Changing the condenser

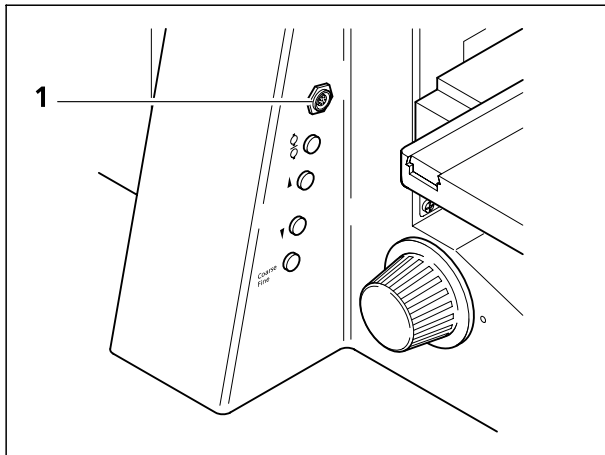


Fig. 2-23 Attachment of condenser MOT

- In the case of the motorized condenser (Axioskop 2 *mot plus*), plug connecting cable in the socket on the left front of the stand (2-23/1) and tighten screwing ring.
- The achromatic-aplanatic condenser 1.4 H DIC and other condensers from the Axioplan 2 line are also suitable for attachment.

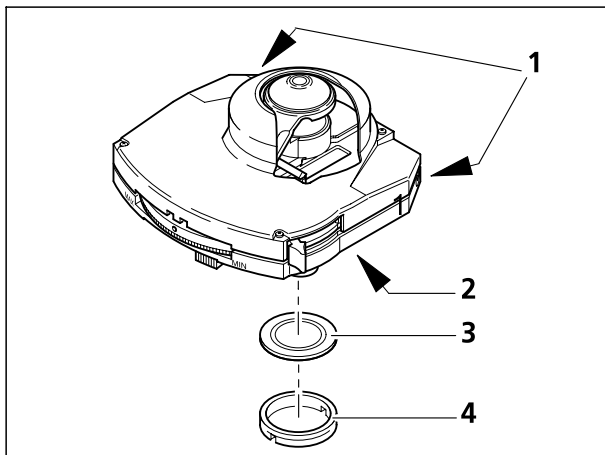


Fig. 2-24 Changing the phase stop

2.2.2 Changing the phase stop for phase contrast or darkfield in the universal condenser (if required)

- Tighten both centering screws (2-24/1) until stop using SW 1.5 Allen screwdriver.
 - To loosen the cover on the condenser underside (2-24/2), loosen both grub screws and remove the cover. Position turret disk with phase stop to be changed in the exchange opening and hold it on the knurled ring, since no click-stop is effective in this position.
 - Use mounting device contained in tool set to unscrew retainer ring (2-24/4) from the condenser underside (2-24/2) and allow phase stop (2-24/3) to slide out.
- To insert the new phase stop, turn condenser round, insert the new phase stop, tighten retainer ring, loosen both centering screws and recenter phase stop using the centering telescope. Make sure that the correct label is visible on the knurled ring of the turret when the unit is swung into the beam path.

2.2.3 Changing the DIC prism in the universal condenser

- To loosen the cover on the condenser underside (2-25/1), loosen both grub screws using the SW 2 screwdriver and remove the cover. Position the turret disk containing the DIC prism to be exchanged in the exchange opening and hold it on the knurled ring.
- Unscrew retainer ring using the so-called double-function tool (2-25/4).
- Now screw the tool in the prism mount (2-25/3) with the threaded side (2-25/4) and pull out DIC prism (2-25/2).
- Remove DIC prism (2-25/2) from the tool and screw on the new, required DIC prism.
- Installation of the DIC prism is made in reverse order. Make sure that the DIC prism is oriented correctly (groove 2-25/5 must engage in the pinion of the mount). Make sure that the knurled ring of the turret disk is labelled correctly.

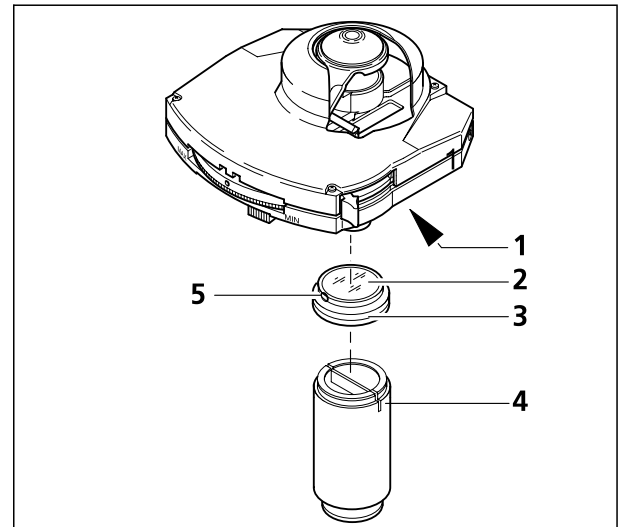


Fig. 2-25 Changing the DIC prism

2.2.4 Attachment of filter mount

- Hold filter mount (2-26/5) parallel to the underside of the condenser carrier (2-26/3) and screw holding pin (2-26/4) of the filter mount (2-26/5) into the front threaded hole on the left below the condenser carrier (2-26/3) until stop using the SW 2 angled Allen key (2-26/6).
- Use adjusting lever (2-26/1) to screw stop bolt (2-26/2) into the rear threaded hole of the condenser carrier until stop.

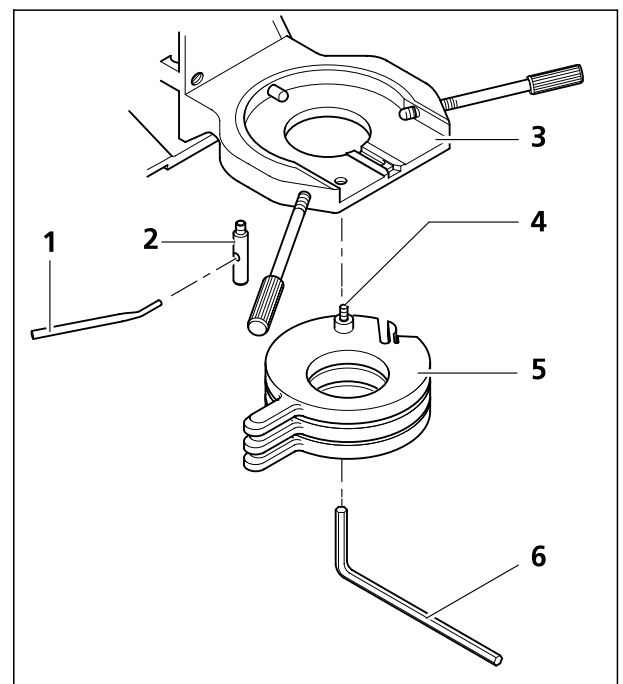


Fig. 2-26 Attachment of filter mount

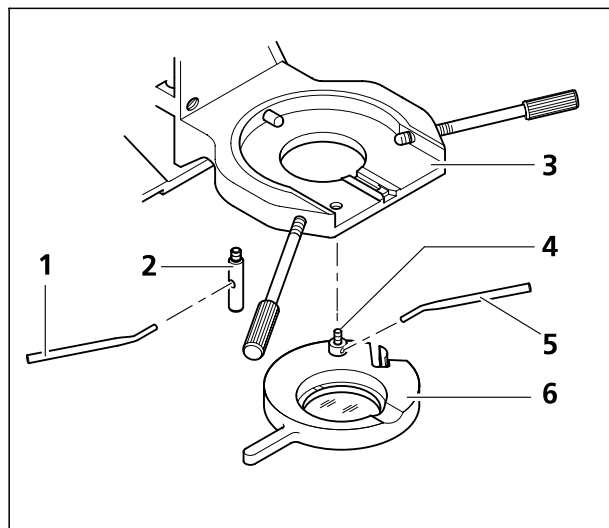


Fig. 2-27 Attachment of D polarizer

2.2.5 Attachment of D polarizer

- Hold the polarizer (2-27/6) parallel to the bottom of the condenser carrier (2-27/3) and screw in the fastening bolts (2-27/4) of the polarizer (2-27/6) with angled adjusting lever (2-27/5) to the front threaded hole on the left below the condenser carrier (2-27/3) as far as the stop.
- Screw in the stop bolt (2-27/2) with the adjusting lever (2-27/1) as far as the stop in the rear threaded hole of the condenser carrier (2-27/3)

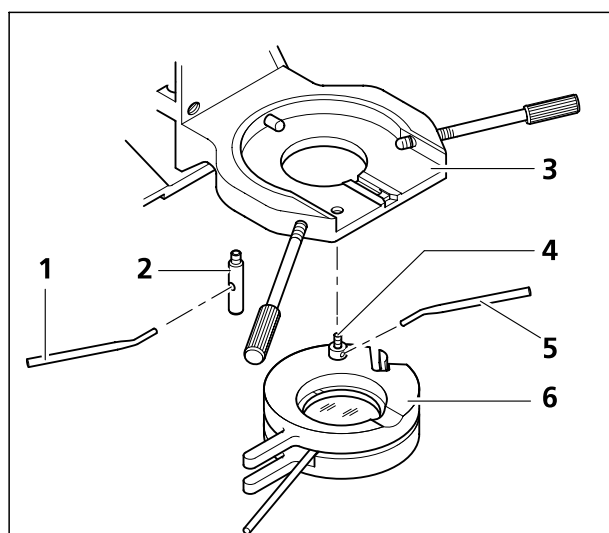


Fig. 2-28 Attachment of SENARMONT DIC polarizer

2.2.6 Attachment of SENARMONT DIC polarizer

- Hold polarizer (2-28/6) parallel to the underside of the condenser carrier (2-28/3) and screw stop bolt (2-28/4) of the polarizer (2-28/6) into the threaded hole on the left below the condenser carrier (2-28/3) until stop using the angled adjusting lever (2-28/5).
- Use adjusting lever (2-28/1) to screw stop bolt (2-28/2) into the rear threaded hole of the condenser carrier (2-28/3) until stop.

2.2.7 Changing the HAL 100 halogen lamp

- Switch off the microscope as described in section 2.1.9, remove plug (2-11/5) from 12 V / 100 W socket (2-11/4) and allow the instrument to cool down for approx. 15 mins.
- Loosen screw (2-29/5) until the lamp housing can be removed in an upward direction.
- Press both spring levers (2-29/3) downwards and pull out the old halogen lamp (2-29/2) in an upward direction.
- Press both spring levers downwards, insert new lamp, with protection cap (2-29/1) being attached in lamp base (2-29/4), let go the spring lever and pull the protection cap off.
- Press spring lever briefly downwards again to center the lamp.
- Attach lamp housing again and tighten clamping screw (2-29/5).

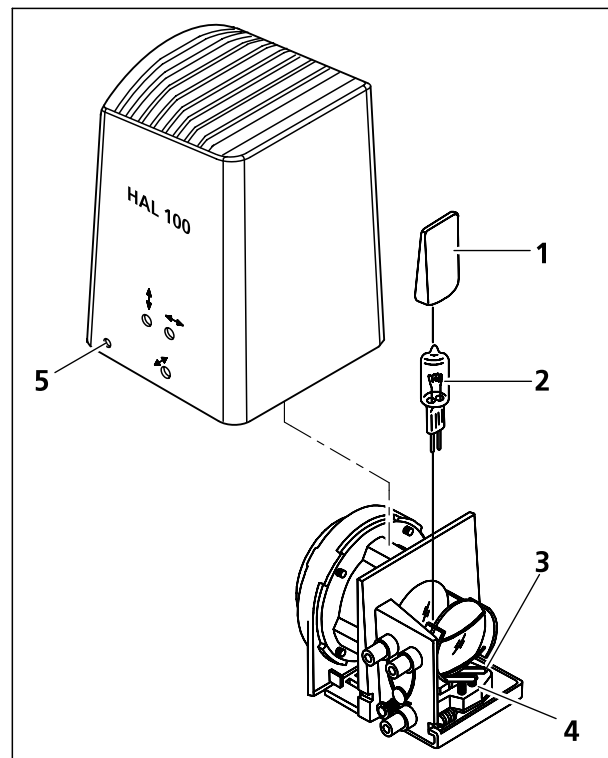


Fig. 2-29 Changing the halogen lamp

2.2.8 Changing the HBO 103 W/2 mercury pressure short-arc lamp



Before opening the lamp housing, make sure that no connection to the electrical line is available.



The HBO 203 W/2 lamps may only be changed after they have cooled down. Allow the HBO 103 microscope illuminator to cool down for approx. 15 mins to avoid the risk of burns.

The HBO 103 W/2 lamp may only be removed from the packaging and inserted in the HBO 103 illuminator if a protective mask and safety gloves are worn.

All electrical clamping connections must be made carefully. Pronounced heat during operation may result in loose contacts.

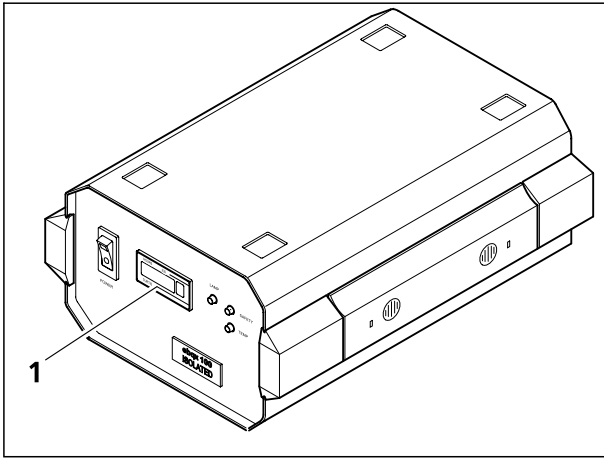


Fig. 2-30 HBO 100 W transformer

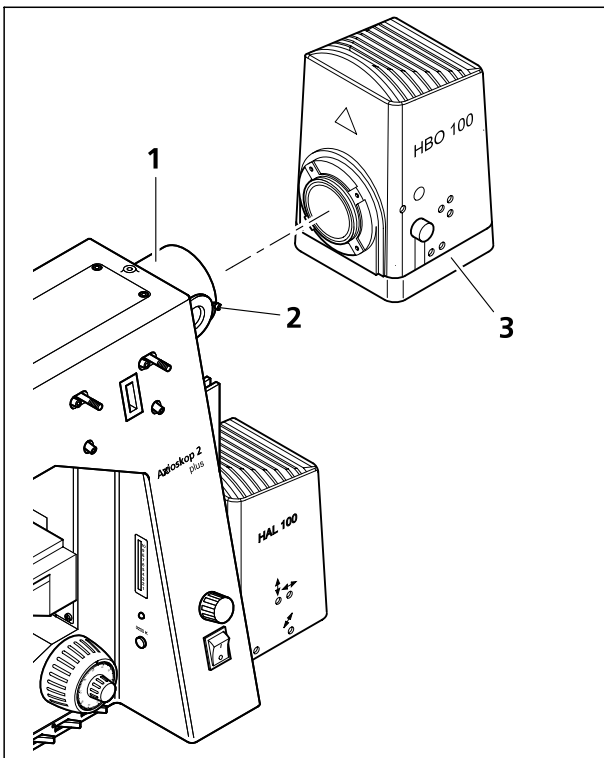


Fig. 2-31 Removing the HBO 103 illuminator

After expiry of the average operation time of 300 h, the HBO 103 W/2 mercury vapor short-arc lamp must be exchanged.

The operating time of the lamp can be checked on the counter (2-30/1) of the HBO 100 W transformer.

Follow the following steps when changing the HBO 103 W/2 lamp:

- Remove or unscrew the line plug and the HBO 103 plug from the HBO 100 W transformer.
- Wear protective mask and safety gloves.
- Use SW 3 ball-headed screwdriver to loosen clamping screw (2-31/2) and remove HBO 103 illuminator (2-31/3) from the incident-light tube (2-31/1) of the microscope stand.
- Use focusing knob (2-32/3) to bring collector to the position at the very front (in the direction of the light).
- Use ball-headed screwdriver to loosen clamping screw for lamp housing (2-32/2) and carefully remove lamp housing (2-32/1) from the lamp mount (2-33/3) in an upward direction.
- Press down the spring clip (2-33/4) remove the defective lamp (or transport locking pin) with heat sink from the holder in the illuminator socket (2-33/2). There is no need to break the wire connection.

- Loosen the fixing screw (2-33/5) on the heat sink (2-33/6) and pull off the heat sink. If the heat sink does not come off (or cannot be replaced), unscrew the fixing screw completely, screw into the next hole and press down the heat sink with it.
- Dispose of the defective lamp properly.
- Insert the new lamp of smaller diameter into the heat sink as far as the stop.



Pay attention to the correct hole diameter when inserting and do not apply force to the lamp. The holder in the heat sink is marked with **H** (for HBO) or **X** (for XBO).

- Clamp the fixing screw on the heat sink.
- Insert the new lamp (2-33/1) with heat sink with the spring clip (2-33/4) pressed down in the holder provided in the illuminator socket (2-33/2). Make sure that the power cable to the heat sink is free at the side. Release the spring clip. Do not apply force to the lamp.
- Fit the illuminator housing (2-32/1) on the lamp mount (2-33/3) and clamp with the clamping screw (2-32/2).
- Connect HBO 103 plug and line plug to the HBO 100 W transformer.
- Adjust HBO 103 illuminator as described in section 2.1.11 (3).

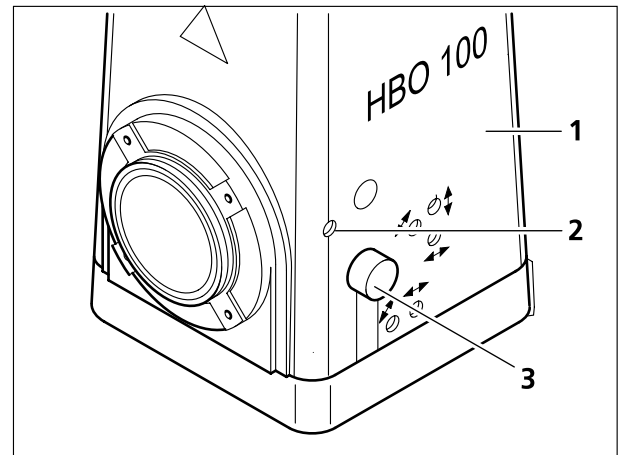


Fig. 2-32 Removing the housing of the HBO 103

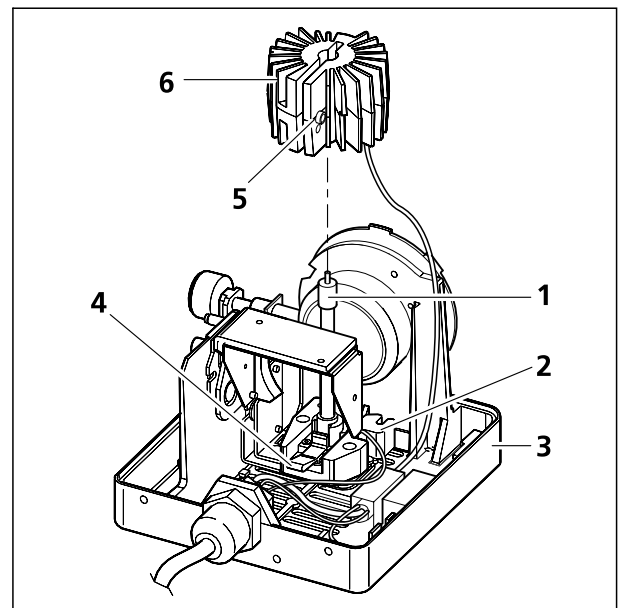


Fig. 2-33 Changing the HBO 103 W/2 mercury pressure short-arc lamp

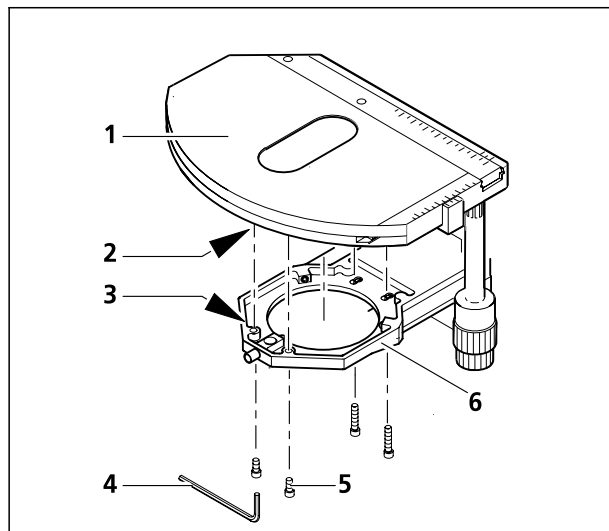


Fig. 2-34 Changing the fixed mechanical stage

b) Attaching the stage

- Attach stage (2-34/1) to stage carrier (2-34/6) in such a way that the threaded holes (2-34/2) on the underside of the stage are positioned above the openings of the stage carrier (2-34/3).
- Insert four fixation screws (2-34/5) through the stage carrier from below and screw them in the stage underside; use the shorter screws on the front.
- Orient stage in x-y direction and tighten the fixation screws.

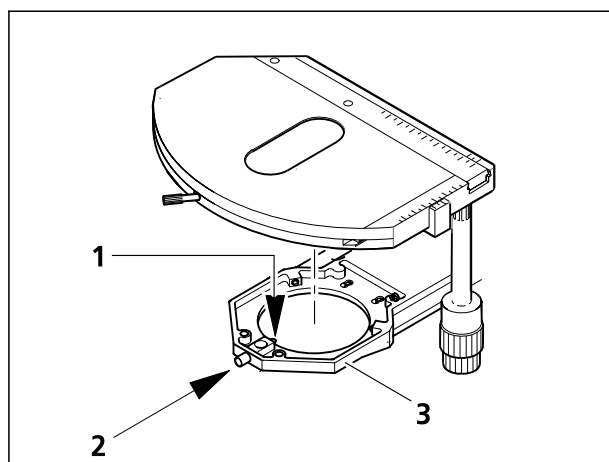


Fig. 2-35 Changing the rotary mechanical stage

2.2.9 Changing the mechanical stage

Depending on their type, mechanical stages can be bolted on or may be turned and centred. The range of movement in X direction is 75 mm and in Y direction 50 mm. The fixed stages have the drive either on the right or left. The rotatable mechanical stage has the drive on the right.

(1) Fixed mechanical stage 75x50 R

a) Removing the stage

- Unscrew 4 fixation screws (2-34/5) on the stage carrier (2-34/6) using angled SW 3 Allen key (2-34/4)
- Remove stage (2-34/1) from the stage carrier in upward direction.

(2) Rotary mechanical stage 75x50/240° R

a) Removing the stage

- Loosen screwing cap (2-35/2) of spring housing with approx. 3 rotations.
- Press stage to the front against spring pin (2-35/1), lift it off the stage carrier (2-35/3) at the back and remove it in upward direction.
- Tighten screwing cap (2-35/2).

b) Attaching the stage

- Loosen screwing cap (2-35/2) of spring housing with approx. 3 rotations.
- Attach stage to the spring pin (2-35/1) via dovetail groove.

- Press stage to the front against spring pin and lower its back in the stage carrier (2-35/3), then let go.
- Tighten screwing cap (2-35/2).

c) Centering the stage

When objectives with a high magnification are used, centering can be exact for one selected objective only.

All stages are factory-precentered, i.e. a set specimen detail remains in the image center even when the stage is rotated. If the image detail moves from the image center (2-36/5) after stage rotation, recentering should be performed as follows:

- Loosen stage clamping screw (2-36/4) and screwing cap of the stage carrier (2-36/1).
- Rotate the stage to determine the maximum specimen deflection (2-36/5, tip of the arrow) in the direction of the eyepiece reticle.
- Reset the two centering screws on the stage carrier (2-36/2) using one SW 1.5 Allen screwdriver (2-36/3) each to move the specimen detail by half the arrow length in the direction of the crossline center. Check whether specimen detail moves when the stage is rotated again; repeat the procedure, if required.
- When centering is finished, tighten screwing cap (2-36/1) again.

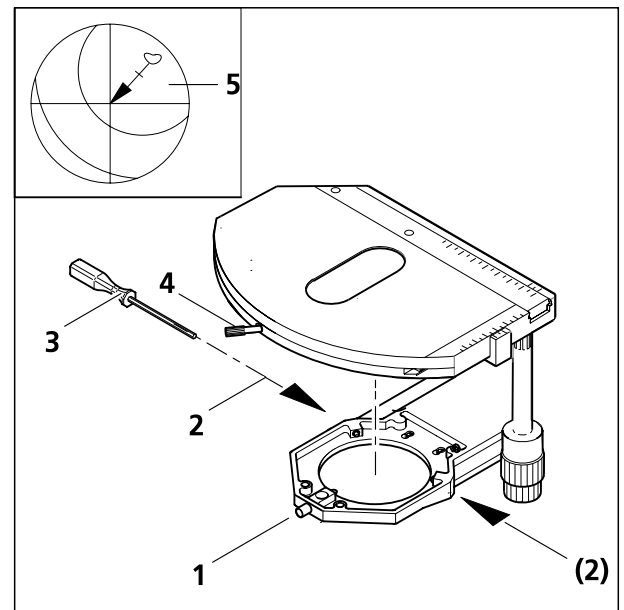


Fig. 2-36 Centering the rotary mechanical stage

The stage can be turned 240° up to a range of $y \leq 27$ mm. No rotation is possible above this range of movement.

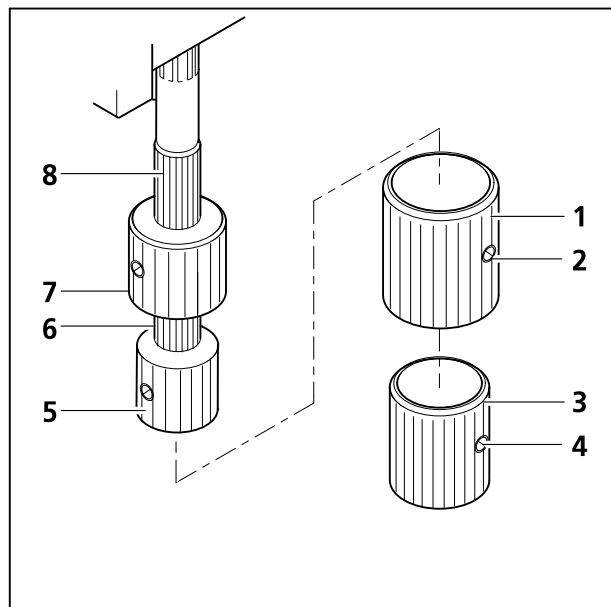


Fig. 2-37 Setting ergo-drive

(3) Adjusting the travel on ergo-drive

On the mechanical stages with ergo-drive, the travel range of the **X** and **Y** adjustment can be extended by a **max. 15 mm** by axial movement of the drive buttons.

(4) Removing and mounting additional sleeves

Both drive buttons are fitted with additional sleeves. These serve to provide an even finer setting of the object position. They can be removed if faster object movement is more important.

- First loosen the two clamping screws (2-37/4) of the bottom additional sleeve (2-37/3) and remove it downwards, then loosen both clamping screws (2-37/2) of the top additional sleeve (2-37/1) and pull this down and off as well.

- Mount the additional sleeves back on the drive knobs in reverse order and tighten both the clamping screws.

(5) Setting the smoothness (torque) of the two drive knobs of the ergo-drive


The ergo-drive is set to a medium smoothness value at the factory. This setting can be changed as follows.

a) Adjusting the X direction

- Remove the additional sleeves (2-37/1 and 3) from the drive knobs if necessary. Loosen the clamping screws to do so.
- Push the X drive knob (2-37/5) down and the Y drive knob (2-37/7) up.
- Hold the X drive knob (2-37/5) and turn the bright knurled ring (2-37/6) above it to the right (easy action) or left (sluggish action) until the desired smoothness is achieved.

b) Adjusting the Y direction

- Hold the Y drive knob (2-37/7) and turn the bright knurled sleeve (2-37/8) above it to the right (sluggish action) or left (easy action) until the desired smoothness is achieved.
- Replace the additional sleeves if necessary and tighten the clamping screws.

 To ensure long life of the stage, the scuff from the specimen holders should be removed at regular intervals. Make sure that the scuff does not get into the guiding components for the x-movement.

(6) Changing the specimen holder

- Loosen two countersunk screws (2-38/1) using SW 2 Allen key (2-38/3).
- Remove specimen holder (2-38/2) from the mechanical stage (2-38/4) in an upward direction.
- Attach required specimen holder (2-38/5) to the mechanical stage and tighten two countersunk screws.

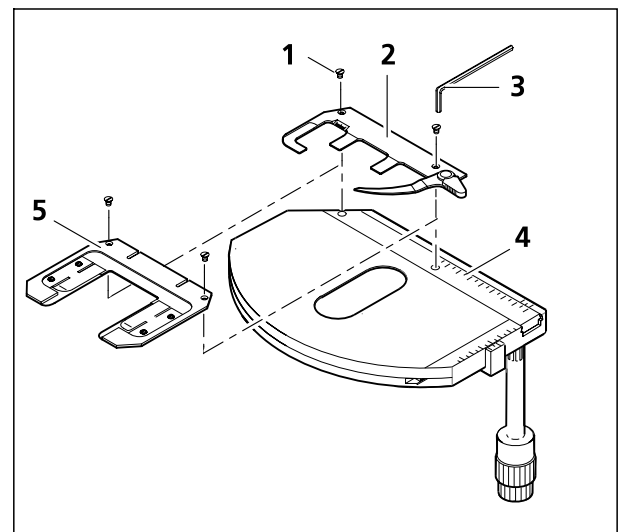


Fig. 2-38 Changing the specimen holder

2.2.10 Changing the binocular tube

- Use SW 3 ball-headed screwdriver to loosen clamping screw (2-39/3) and remove available tube in an upward direction.
- Place dust cap (2-39/2) for tube lens protection above the dovetail of the binocular tube.
- Remove dust cap from the required tube.
- Insert dovetail of tube (2-39/1) in the stand opening (2-39/4) and align the tube.
- Tighten clamping screw (2-39/3).

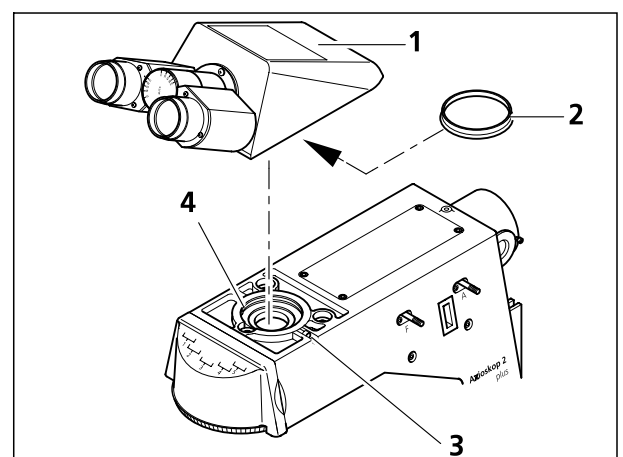


Fig. 2-39 Changing the binocular tube

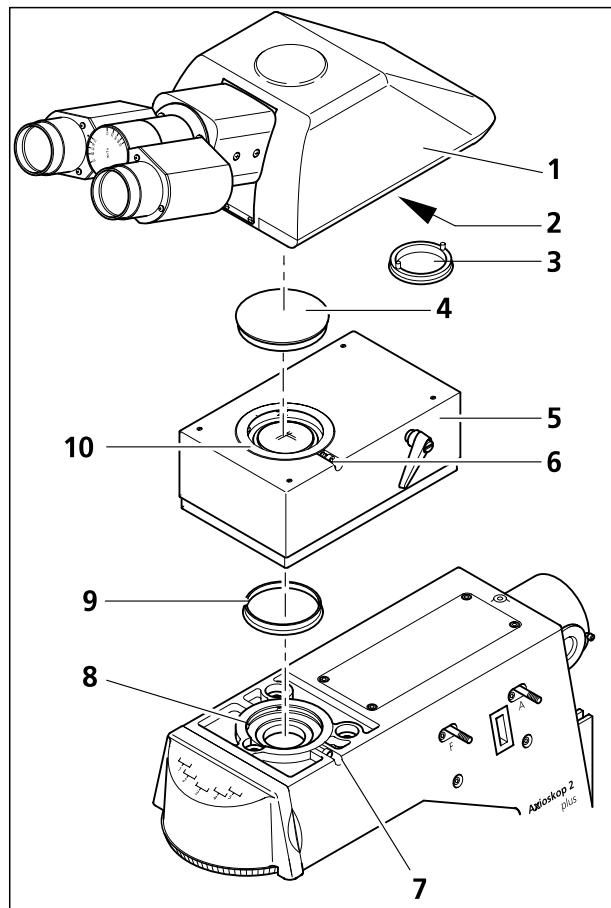


Fig. 2-40 Attachment of intermediate tube with height adjustment

2.2.11 Attachment of intermediate tube with height adjustment

The intermediate tube with height adjustment may only be used in combination with a binocular eyepiece tube.

When removing the intermediate tube and attaching the binocular eyepiece tube, make absolutely sure to screw the tube lens into the binocular eyepiece tube again. Otherwise, correct imaging of the specimen is not possible.

- Use SW 3 ball-headed screwdriver to loosen clamping screw (2-40/7) and remove attached binocular tube in an upward direction.
 - Remove dust cap (2-40/9) from the dovetail of the intermediate tube with height adjustment (2-40/5).
 - Insert dovetail of intermediate tube in the stand opening (2-40/8) and tighten clamping screw (2-40/7) only slightly.
 - Align intermediate tube with the outer edges of the stand, then tighten clamping screw (2-40/7).
 - Unscrew tube lens (2-40/2) from the binocular eyepiece tube (2-40/1). The tool from the storage case (2-40/3) must be used to remove the tube lens. Insert pins in the drilled holes of the tube lens mount and remove tube lens by turning. The tube lens should then be stored in the case.
- Remove upper dust cap (2-40/4) from the intermediate tube with height adjustment.
 - Insert the binocular eyepiece tube with the dovetail in the upper opening (2-40/10) of the intermediate tube, align it and fix it with the clamping screw (2-40/6).

2.2.12 Attachment of adapter for the Axioskop 2 *plus*

The adapter for the Axioskop 2 *plus* is used to attach intermediate tubes and/or tubes of the Axioplan 2 to the Axioskop 2 *plus* / Axioskop 2 *mot plus*.

- Use SW 3 ball-headed screwdriver to loosen clamping screw (2-41/5) and remove available tube of the Axioskop 2 *plus* in an upward direction.
- Insert dovetail of the adapter for the Axioskop 2 *plus* (2-41/3) in the stand opening (2-41/6) on the underside and slightly tighten clamping screw (2-41/5).
- Insert fixation screw (2-41/2) in countersunk hole of the adapter (2-41/3) and screw it into the drilled hole (2-41/4) on the stand.
- Tighten clamping screw (2-41/5) and fixation screw (2-41/2).
- Attach required intermediate tube and/or tube (2-41/1) of the Axioplan 2 to the adapter and clamp it using screw (2-41/7) (also see the Axioplan 2 manual).
- Insert eyepieces with field number 23 into the Axioplan 2 tube (2-41/1).

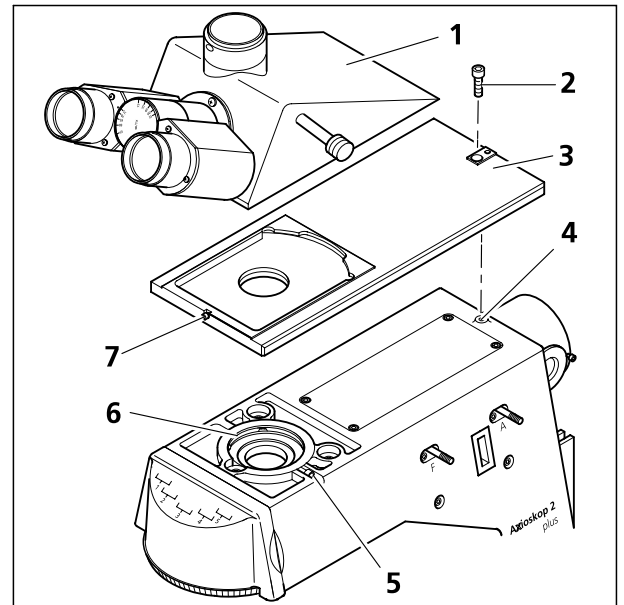


Fig. 2-41 Attachment of adapter for the Axioskop 2 *plus*

2.2.13 Installing and Removing "Push&Click" Modules

FL P&C reflector module # 000000-1046-281

Optovar module 1,25x (for transmitted-light only) # 000000-1046-284

Optovar module 1,6x (for transmitted-light only) # 000000-1046-283

Optovar module 2,5x (for transmitted-light only) # 000000-1046-282

Analyzer module D # 000000-1050-958

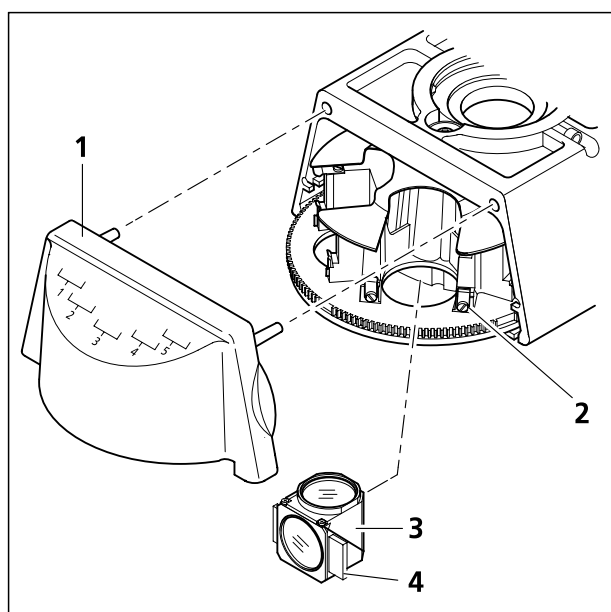


Fig. 2-42 Changing the technique module

Installing a module:

- Pull the cover cap (2-42/1) off from the front of the reflector turret.
- Insert the module (2-42/3) with the retaining elements (2-42/4) attached to the right and left of the module from above at an angle into the spring clamps (2-42/2) on the reflector turret.
- Then press the module at the top until it also snaps securely into the top spring clamps of the reflector turret.

Aligning the respective module when installing it in the reflector turret:

FL P&C reflector module

the excitation filter is facing forwards;
the emission filter is facing upwards

Optovar module

the lens is facing upwards; the empty
module opening is facing forwards

Analyzer module

the analyzer is facing upwards, the empty
module opening is facing forwards

Removing a module:

- Tip the module slightly and pull it first out of the top spring elements and then out of the After removing or installing the reflector modules, insert the cover cap with the top two pins in the stand housing and press until the bottom retaining elements snap in.
- By switching the reflector turret three positions clockwise, the mounted module swings into the beam.

2.2.14 Changing the filter set in the FL P&C reflector module

The filter sets for the FL P&C reflector module can be combined and assembled individually by the customer. Appropriate filter sets or fully assembled FL P&C reflector modules can be ordered from Carl Zeiss.

- Remove FL P&C reflector module (2-43/3) from the reflector turret (also see 2.2.13).
- Use mounting device from the tool set to unscrew retainer ring (2-43/1).
- Turn the reflector module around and allow the filter (2-43/2 or 4) to drop on a soft surface.
- The barrier filter is inserted at (2-43/2), the excitation filter at (2-43/4), and both are secured using retainer ring (2-43/1).

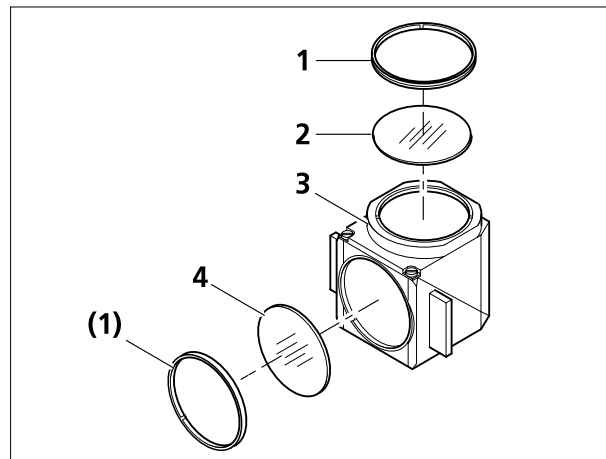


Fig. 2-43 Changing the filter set in the P&C FL reflector module

2.2.15 Changing the beam splitter in the FL P&C reflector module



Attachment of filters and of the beam splitter requires utmost care to prevent damage and contamination of the optical components.

We would recommend you to order completely equipped FL P&C reflector modules, since changing the beam splitter requires much skill.

Otherwise, proceed as follows:

- Remove FL P&C reflector module from the reflector turret (also see 2.2.13).
- Loosen the two slotted screws (2-44/1) with a screwdriver.
- Hold both halves of the reflector module together turn opposite to the installation position and place down.

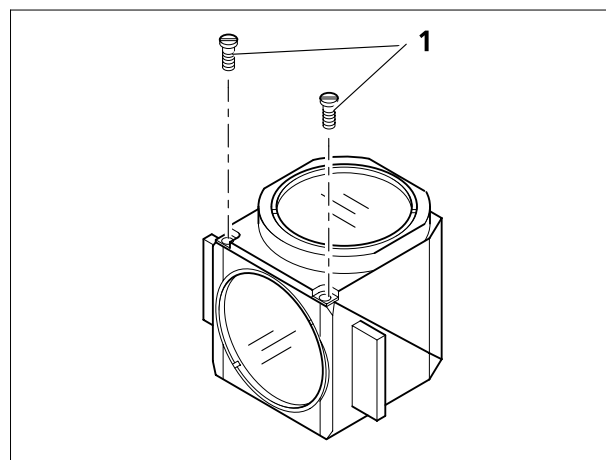


Fig. 2-44 Changing the beam splitter

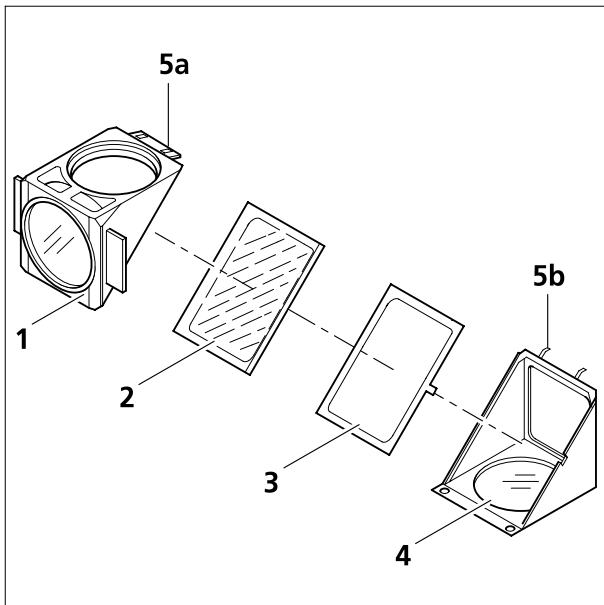


Fig. 2-45 Changing the beam splitter

- Now tip up the module half on top (2-45/1) and remove from the retaining elements (2-45/5b) of the bottom module half.
- Remove the beam splitter (2-45/2) and spring frame (2-45/3) from the bottom module half.
- Remove the old beam splitter and carefully place the new one with the reflective side facing downwards on the spring frame (2-45/4) and place both parts together in the bottom module half. Make sure that the side latch of the spring frame is in the appropriate recess in the bottom module half.

The reflective side of the beam splitter is recognizable by carefully placing a wooden splint on the surface of the beam splitter. There is no spacing between the splint and its mirror image

- Place the top module half (2-45/1) on the bottom module half (2-45/4) (the retaining elements 2-45/5b grip the eyes 2-45/5a). Hold both halves together and turn back to the installation position
- Re-insert the slotted screws and tighten them.
- Finally, attach the adhesive label with the name of the filter combination to the side of the module.

2.2.16 Attachment of active coobservation equipment for 2 users

The active coobservation equipment for 2 users can only be attached to a Axioskop 2 *plus* / Axioskop 2 *mot plus* microscope stand if the incident-light illuminator (e.g. HBO 103) has been removed.

- Use SW 3 ball-headed screwdriver to loosen clamping screw (2-46/12) and remove available tube in an upward direction.
- Remove dust cap (2-46/14) from the dovetail at (2-46/15) of the coobservation equipment (2-46/16).
- Insert dovetail of coobservation equipment in the stand opening (2-46/13) and tighten clamping screw (2-46/12) only slightly at first.
- Align coobservation equipment with the outer edges of the stand and make sure that the support points on the coobservation equipment (below) and the stand (2-46/9) match exactly.
- Then tighten clamping screw (2-46/12) to prevent the coobservation equipment from shifting.
- Unscrew the tube lenses from the two binocular tubes (using the cover of one of the storage cases) and put them in the cases.
- Remove upper dust caps (2-46/3 and 18) from the coobservation equipment.
- The front dovetail (2-46/17) of the coobservation equipment allows attachment of either the binocular ergotube 6-25°/23 (2-46/1) or the ergo-phototube 6-25°/23 (100/100). The rear dovetail (2-46/4) allows not only the attachment of the two ergotubes, but also of the binocular tube 30°/23 (2-46/2) or the binocular phototube 30°/23. Then align the tubes and tighten clamping screws (2-46/8 and 19).

The binocular ergotube and the ergo-phototube 6-25°/23 provide an upright and unreversed image of the specimen in the eyepiece.

- Screw heat protection shield (2-46/6) to coobservation equipment from below using two fixation screws (2-46/7).
- Insert plug (2-46/11) of power unit (2-46/10, 115 V or 230 V) in the socket (2-46/5) on the coobservation equipment and tighten the screwing ring to prevent shifting.
- Connect power unit to the line (115 V or 230 V).

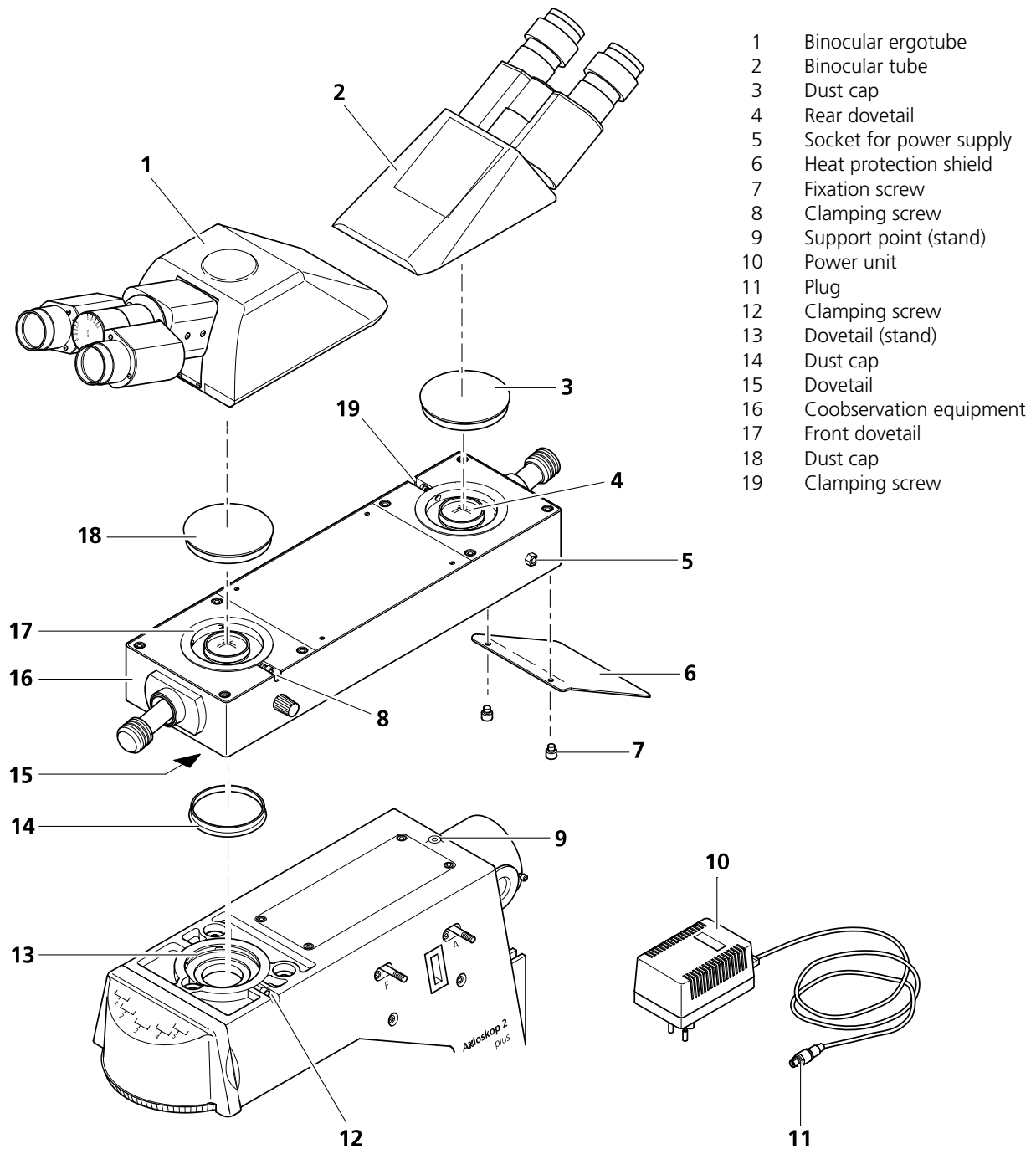


Fig. 2-46 Attachment of active coobservation equipment for 2 users

2.2.17 Attachment of multi-observation equipment



We would recommend you to have assembly of the multi-observation equipment performed by Zeiss service staff (also see 4.5), since careful optical adjustment and centering of the fields of view of the various observation tubes is required. Should you want to perform assembly yourself, please proceed as follows:

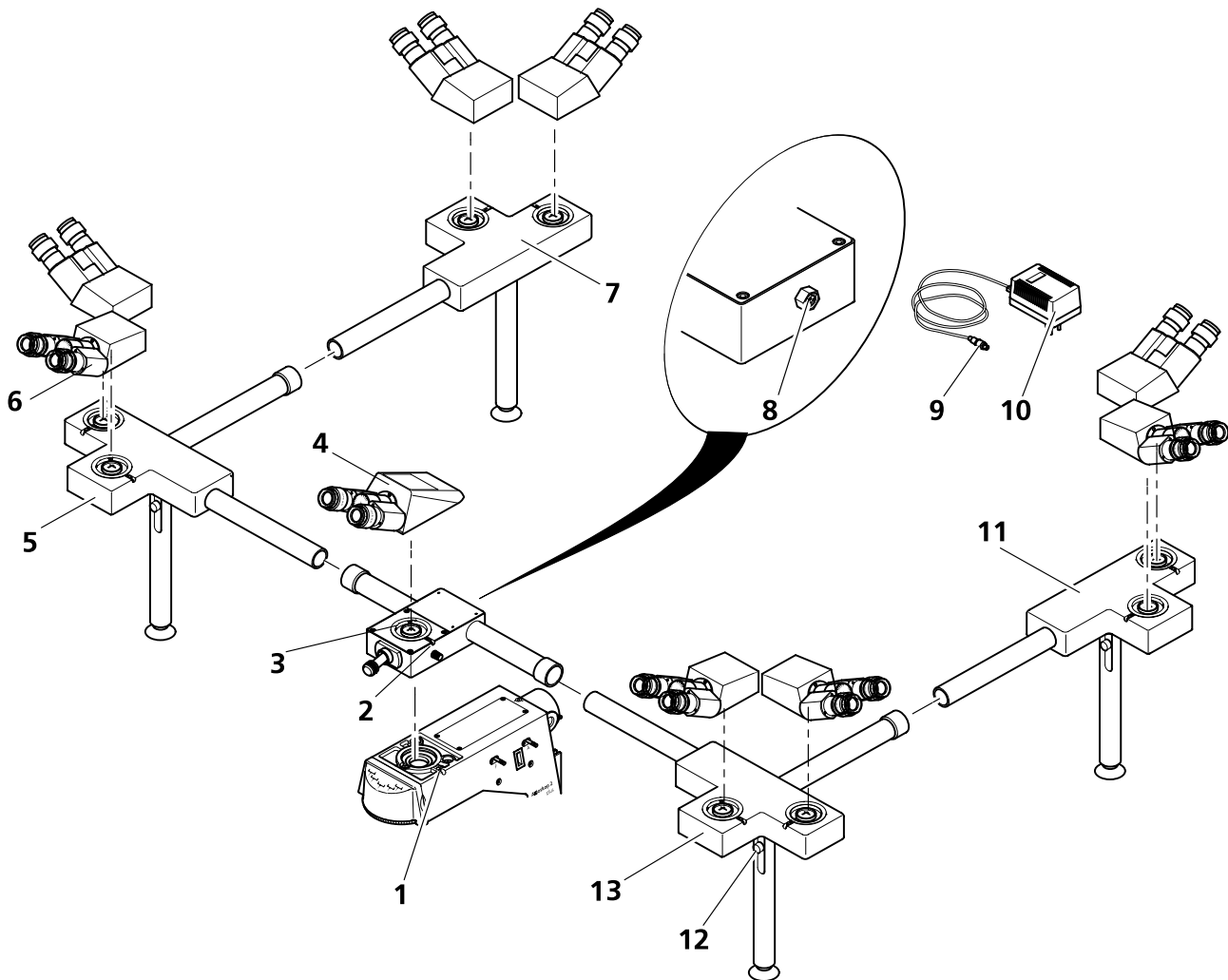
- Remove binocular tube and intermediate tube (if available) from the stand (also see 2.2.10 ff.).
- Insert dovetail of multi-observation equipment (basic body) into the stand opening and tighten clamping screw (2-47/1).



Prior to attachment, the tube lens must be removed from the binocular tube (or phototube) for the main user! The supplied D-filter must be screwed in instead of the tube lens. This brings the brightness of the image / pointer to the same level as the coobservation tubes.

- Insert the binocular tube or phototube 30°/23 (2-47/4) in the dovetail of the multi-observation equipment (2-47/3), align it and tighten clamping screw (2-47/2).
- Attach connecting piece L (2-47/5) or end connector L (2-47/7) to the left side of the multi-observation equipment, and connecting piece R (2-47/13) or end connector R (2-47/11) to the right side. Do not forget to remove the protection caps from the tube ends. Each pin must engage in the corresponding opening, then tighten the captive coupling nuts.
- Attach and clamp two binocular tubes for the multi-observation equipment (2-47/6) on each of the connecting pieces L (2-47/5) and R (2-47/13).
- When mechanically aligning the connecting pieces and end connectors, make sure that the field centering, based on the main observer tube (2-47/4), is retained. For this purpose, select a conspicuous specimen area and place it in the intersection point of the crossline disk (also see section 1.7). After assembly of the first connecting piece, insert the eyepiece with reticle in the respective coobservation tube and particularly adjust the height of the connecting tube using setting screw (2-47/12) until the selected specimen area is positioned again in the point of intersection of the eyepiece reticle.
- Attach and screw tight a further connecting piece L (2-47/5) or the end connector L (2-47/7) to the connecting piece L, and a further connecting piece R (2-47/13) or the end connector R (2-47/11) to the connecting piece R.
- Attach and clamp two binocular tubes for the multi-observation equipment on each of the end connectors R and L. Perform height adjustment using the eyepiece reticle.
- Insert plug (2-47/9) of power unit (2-47/10, 115 V or 230 V) in the socket (2-47/8) on the multi-observation equipment and tighten the screwing ring to prevent shifting.
- Connect power unit for light pointer (2-47/10) to the line (115 V or 230 V).

The binocular tubes of the multi-observation equipment can be turned and fixed in position as required by the user. The multi-observation equipment with light pointer permits attachment of 2, 5, 9 and more observation devices.



- | | | | | | |
|---|--------------------|----|-------------------------|----|--------------------|
| 1 | Clamping screw | 6 | Coobservation tube | 11 | End connector R |
| 2 | Clamping screw | 7 | End connector L | 12 | Setting screw |
| 3 | Dovetail | 8 | Socket for power supply | 13 | Connecting piece R |
| 4 | Binocular tube | 9 | Plug | | |
| 5 | Connecting piece L | 10 | Power unit | | |

Fig. 2-47 Attachment of multi-observation equipment

2.2.18 Attachment of intermediate tube for image projection

The intermediate tube for image projection can only be used with the binocular tube from the Axioplan 2 line.

- Use SW 3 ball-headed screwdriver to loosen clamping screw (2-48/8) and remove available tube of the Axioskop 2 plus in an upward direction.
- Insert dovetail of the adapter for the Axioskop 2 plus (2-48/6) in the stand opening (2-48/9) on the underside and slightly tighten clamping screw (2-48/8).
- Insert fixation screw (2-48/5) in countersunk hole of the adapter (2-48/6) and screw it into the drilled hole (2-48/7) on the stand.
- Tighten clamping screw (2-48/8) and fixation screw (2-48/5).
- Attach intermediate tube for image projection (2-48/2) on the stand and tighten clamping screw (2-48/10) only slightly at first. Centering is performed using the dovetail.
- Insert second clamping screw with washer (2-48/3) in the drilled hole provided on the rear of the intermediate tube at (2-48/4), screw it in the rear threaded hole of the adapter and tighten it slightly.
- Align the intermediate tube with the edges of the upper stand part and alternately tighten clamping screws (2-48/3) and (2-48/10).
- Use the cover of the tube lens storage case to unscrew the tube lens from the Axioplan 2 tube (2-48/1) and store it in the case.
- Attach Axioplan 2 tube (2-48/1) without tube lens on the intermediate tube, align it with the edges of the intermediate tube and tighten clamping screw (2-48/11).
- Equip the Axioplan 2 tube (2-48/1) with eyepieces with field number 23.

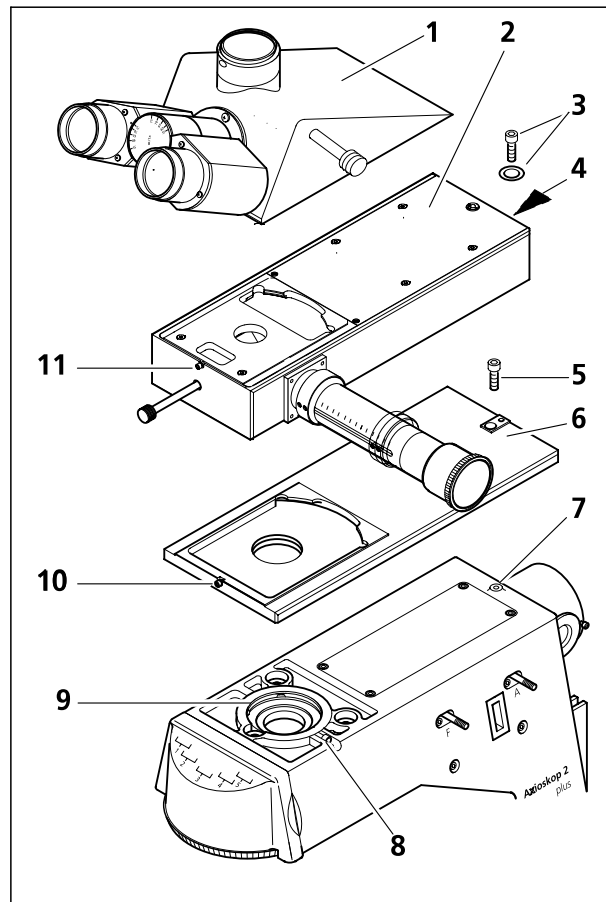


Fig. 2-48 Attachment of intermediate tube for image projection



The zoom system always points to the right. The specimen is positioned on this side below the exit opening of the zoom tube.

OPERATION

Contents

3	OPERATION	3-3
3.1	Overview of operation and function controls.....	3-3
3.1.1	Operation and function controls of the Axioskop 2 <i>plus</i>	3-4
3.1.2	Overview of operation and function controls of the Axioskop 2 <i>mot plus</i>	3-10
3.2	Switching on and basic settings.....	3-18
3.2.1	Axioskop 2 <i>plus</i>	3-18
3.2.2	Axioskop 2 <i>mot plus</i>	3-18
3.3	Illumination and contrasting techniques.....	3-24
3.3.1	Setting of transmitted-light brightfield according to KÖHLER.....	3-24
3.3.2	Setting of transmitted-light darkfield.....	3-27
3.3.3	Setting of transmitted-light phase contrast.....	3-29
3.3.4	Setting of transmitted-light polarization.....	3-31
3.3.5	Setting of transmitted-light differential interference contrast (DIC).....	3-36
3.3.6	Setting of epi-fluorescence.....	3-39
3.4	Documentation.....	3-41
3.4.1	Attachment of photomicrography equipment.....	3-41
3.4.2	Attachment of videomicroscopy equipment.....	3-43
3.4.3	Attachment of adapter for digital compact cameras.....	3-44
3.5	Multi-observation equipment.....	3-45
3.5.1	Attachment of active coobservation equipment for 2 users.....	3-45
3.5.2	Attachment of multi-observation equipment.....	3-47
3.6	Drawing device.....	3-49
3.6.1	Intermediate tube for image projection, switchable.....	3-49
3.7	Quantitative microscopy.....	3-50
3.7.1	Measurement of lengths.....	3-50
3.7.2	Height measurement.....	3-51

List of illustrations

Fig. 3-1	Operation and function controls of the Axioskop 2 <i>plus</i>	3-4
Fig. 3-2	Universal condenser	3-8
Fig. 3-3	Mechanical stage with specimen holder	3-8
Fig. 3-4	Nosepiece with eyes for compensators and DIC slider	3-9
Fig. 3-5	Luminous-field diaphragm	3-9
Fig. 3-6	Operation and function controls of the Axioskop 2 <i>mot plus</i>	3-10
Fig. 3-7	Motorized universal condenser	3-12
Fig. 3-8	Travel range of stage focusing (diagram)	3-13
Fig. 3-9	Binocular ergotube	3-14
Fig. 3-10	Binocular ergo-phototube	3-15
Fig. 3-11	Setting the interpupillary distance of the ergotube	3-15
Fig. 3-12	Filter mount	3-16
Fig. 3-13	Intermediate tube with height adjustment	3-17
Fig. 3-14	Switch on manual mode	3-21
Fig. 3-15	Set key	3-22
Fig. 3-16	LED array and pilot lamp	3-22
Fig. 3-17	Microscope settings on the Axioskop 2 <i>plus</i> in transmitted-light brightfield	3-25
Fig. 3-18	Setting the height stop on the condenser carrier	3-26
Fig. 3-19	Centering of darkfield stop on the universal condenser	3-28
Fig. 3-20	Centering of phase stop on universal condenser	3-30
Fig. 3-21	Centering of phase stop (bright in condenser) to phase ring (dark in objective)	3-30
Fig. 3-22	Components for transmitted-light polarization on the Axioskop 2 <i>plus</i>	3-31
Fig. 3-23	Determination of the vibration direction n_{γ} using the example of an artificial fiber	3-32
Fig. 3-24	Diagram of the Michel-Lévy color charts	3-33
Fig. 3-25	Components for transmitted-light polarization on the Axioskop 2 <i>plus</i>	3-35
Fig. 3-26	Components for the transmitted-light DIC technique on the Axioskop 2 <i>plus</i>	3-38
Fig. 3-27	Components for Epi-fluorescence on the Axioskop 2 <i>plus</i>	3-40
Fig. 3-28	Attachment of SLR camera, (e.g. Contax 167 MT)	3-41
Fig. 3-29	Active coobservation equipment for 2 users	3-46
Fig. 3-30	Attachment of multi-observation equipment	3-48
Fig. 3-31	Attachment of intermediate tube for image projection from the Axioplan 2 line	3-49
Fig. 3-32	Length measurement using scale 1 on the stage micrometer (object) and scale 2 on the crossline micrometer (eyepiece)	3-51
Fig. 3-33	Height measurement	3-52

3 OPERATION

3.1 Overview of operation and function controls

The *Axioskop 2 plus / Axioskop 2 mot plus* routine microscopes are offered in a manual version and in a version with motorized/coded components.

In the "Operation" chapter, the manual setting and operation functions are explained first, and the motorized / coded functions are explained afterwards, where necessary. However, many functions are identical in both versions.

Since the microscope software is only intended for the *Axioskop 2 mot plus* in combination with a PC, it will be dealt with in a separate manual (AxioVision Control).

3.1.1 Operation and function controls of the Axioskop 2 *plus*

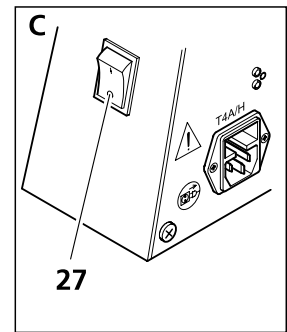
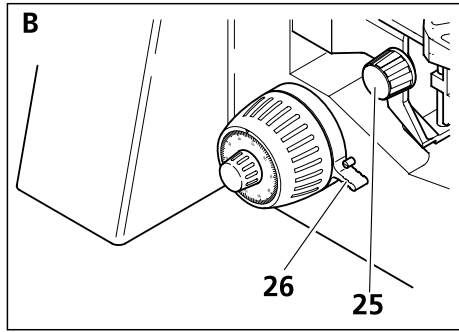
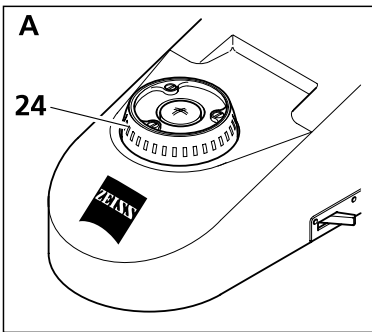
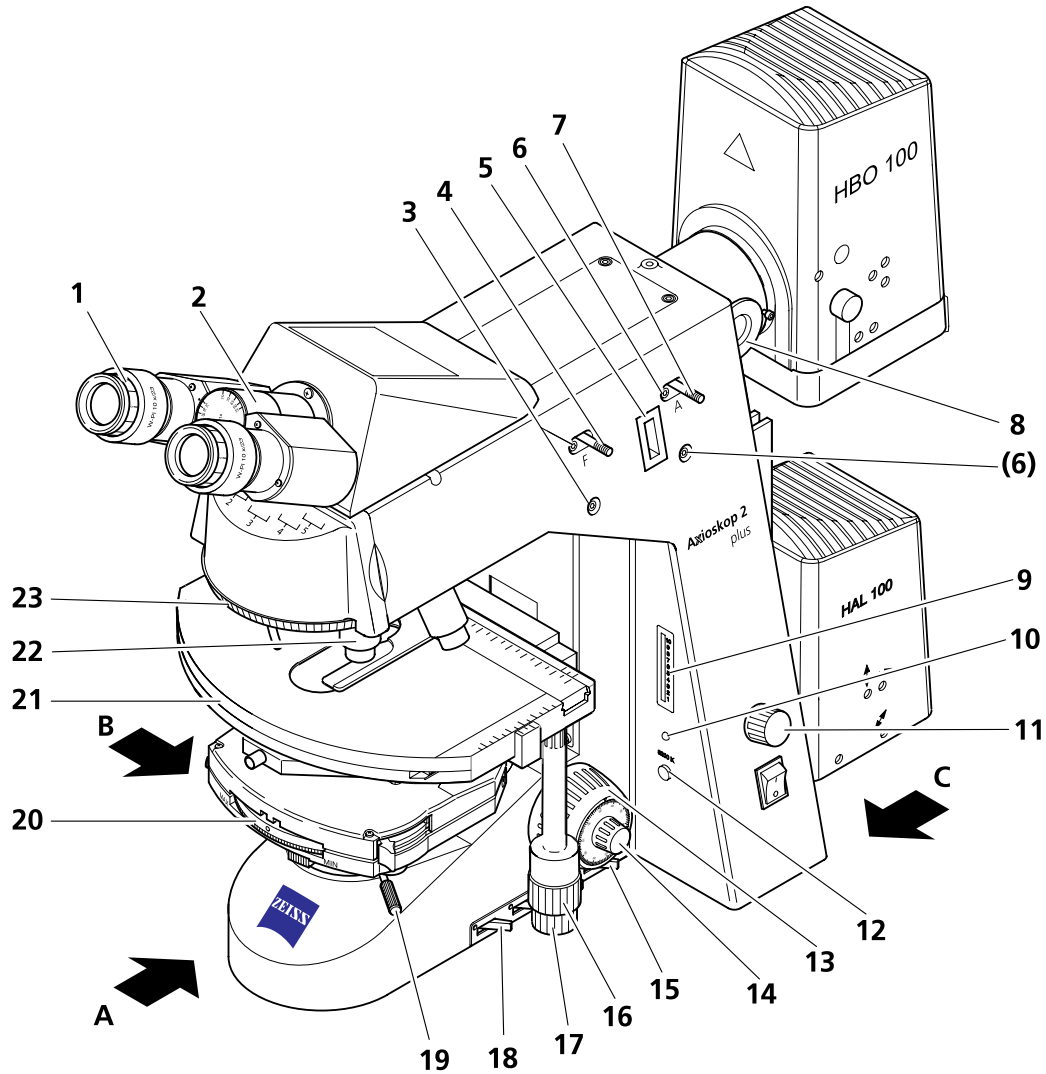


Fig. 3-1 Operation and function controls of the Axioskop 2 *plus*

Key to Fig. 3-1:

- 1 Eyepieces
- 2 Binocular tube
- 3 Centering screws for luminous-field diaphragm (incident light)
- 4 Pushrod for luminous-field diaphragm (incident light)
- 5 Compartment for filter slider
- 6 Centering screws for aperture diaphragm (incident light)
- 7 Pushrod for aperture diaphragm (incident light)
- 8 HBO / XBO adjusting aid
- 9 LED lamp voltage array
- 10 Pilot lamp
- 11 Control for light intensity
- 12 Color temperature key 3200 K
- 13 Focusing drive - coarse adjustment (on both sides)
- 14 Focusing drive - fine adjustment (on both sides)
- 15 Lever to swing in / out the diffusion disk
- 16 Drive for movement of the mechanical stage in the y-direction
- 17 Drive for movement of the mechanical stage in the x-direction
- 18 3 levers to swing in / out the filters in the transmitted-light filter magazine
- 19 Centering screw for universal condenser (on both sides)
- 20 Universal condenser
- 21 Mechanical stage with specimen holder
- 22 Nosepiece with objectives
- 23 Reflector turret
- 24 Luminous-field diaphragm (transmitted light)
- 25 Drive for condenser height adjustment
- 26 Stop for focusing drive
- 27 On / Off switch

Eyepieces

- Both eyepiece versions, E-PL 10x/23 Br. foc. and W-PL 10x/23 Br. foc., enable compensation of ametropia of the user's eyes (see section 2.1.3) and also accept eyepiece reticles (see section 1.7).

Binocular tubes

- The four binocular tubes offered permit the individual setting of the interpupillary distance and the viewing height within set limits. Furthermore, the two ergotubes permit the viewing angle to be set individually within a range from 6 to 25°.

Centering screws for luminous-field diaphragm (incident light)

- Centering of the luminous-field diaphragm using the SW 3 screwdriver (see section 3.3.6).

Pushrod for luminous-field diaphragm (incident light)

- Continuous setting of the luminous-field diaphragm diameter (see section 3.3.6).
- Pushrod pushed in: fully open
- Pushrod pulled out: closed

Compartment for filter slider

- For 3-position or 6-position FL filter slider with 18 mm filter diameter.

Centering screws for aperture diaphragm (incident light)

- Centering of aperture diaphragm using SW 3 screwdriver (see section 3.3.6).

Pushrod for aperture diaphragm (incident light)

- Continuous setting of the aperture diaphragm diameter (see section 3.3.6).
- Pushrod pushed in: fully open
- Pushrod pulled out: closed

Adjusting aid for lamp adjustment

- The adjusting aid is used to adjust and center the HAL 100 halogen illuminator and the HBO 103 mercury vapor short-arc lamp.

LED lamp voltage array

- Indicates the present operating voltage of the halogen illuminator in 10 steps (3 ... 12 V).

Pilot lamp

- The LED-pilot lamp for the line voltage lights up in green when the instrument is switched on.

Control for light intensity

- Controls the DC voltage supply of the halogen illuminator in the range from 3 ... 12 V.

Color temperature key 3200 K

- When the color temperature key 3200 K is activated, LED step 9 lights up. The DC voltage 10.5 V is then available for the halogen lamp, which corresponds to the color temperature of 3200 K. This is required for photomicrography using color films (artificial light).

Focusing drive - coarse adjustment (coarse drive)

- Focusing drive for coarse adjustment available on both sides of the instrument:
1 rotation coarse = 6 mm
- Overall lift: 25 mm

Focusing drive - fine adjustment (fine drive)

- Focusing drive for fine adjustment available on both sides of the instrument:
1 rotation fine = 0.1 mm

Lever to swing in / out the diffusion disk

The integrated diffusion disk (3-1/15) is used to achieve homogeneous illumination, though at a slight loss of light.

- Lever in front position: diffusion disk swung out
- Lever in rear position: diffusion disk swung in

Drive for movement of the mechanical stage in Y

- Movement of the mechanical stage in Y, maximum travel range: 50 mm
- Adjustable torque (smoothness)

Drive for movement of the mechanical stage in X

- Movement of the mechanical stage in X, maximum travel range: 75 mm
- Adjustable torque (smoothness)

3 levers to swing in / out the filters in the transmitted-light filter magazine

- 3 switchable neutral-density filters to match the image brightness in the field of view, maximum attenuation factor: 1:4400;
Lever correspond to (on the stand from front to back): 1.5 %, 6 % and 25 % transmission
- lever in front position: filter swung out
- lever in rear position: filter swung in

Centering screw for condenser

- Centering screws for condenser centering attached to both sides of the condenser carrier.

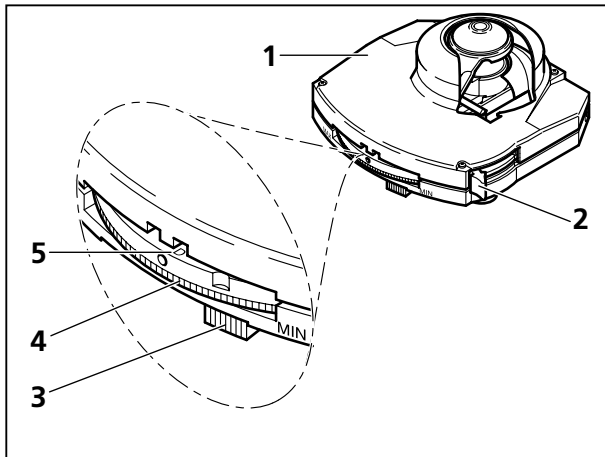


Fig. 3-2 Universal condenser

Universal condenser

Depending on the version, the achromatic-aplanatic universal condenser (3-2/1) is equipped as follows:

- fold-out front lens.
- turret disk for:
 - brightfield - without or with DIC **I, II, III**
 - darkfield - **D**
 - phase contrast - Ph **1, Ph 2, Ph 3**
 - interference contrast - DIC **I, II, III**.
- aperture diaphragm (iris stop).

The front lens is folded in / out using lever (3-2/2). Turning the turret wheel (3-2/4) swings the brightfield insert and the contrast stops in the beam path. The abbreviation of the set turret position (e.g. **D**) is displayed in one of the windows (3-2/5). Slider (3-2/3) opens and closes the aperture diaphragm.

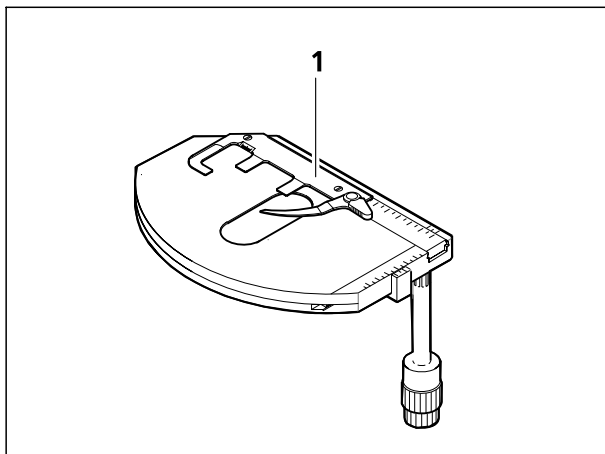


Fig. 3-3 Mechanical stage with specimen holder

Mechanical stage with specimen holder

- mounting, positioning and fixation of specimens using specimen holder (3-3/1).

Nosepiece with objectives

- features compartment (3-4/1) for compensators
- W 0.8" threaded mount for five objectives, each with compartment for DIC slider (3-4/2)
- fast change of objectives by turning the knurled ring of the nosepiece (3-4/3).

Reflector turret

- Accepts the maximum of five technique modules such as the FL P&C reflector module and shutter plate for incident light and optovar module and analyzer module for transmitted-light
- Fast change of technique modules by turning the knurled ring of the reflector turret.

Luminous-field diaphragm

- Wheel (3-5/2) for the continuous setting of the luminous-field diaphragm (transmitted light).
- Additional mount (3-5/1) for filters with diameter $d = 32$ mm.

Drive for condenser height adjustment

- Height adjustment of the condenser to set KÖHLER illumination.

Stop for focusing drive

- Adjustable height stop for stage focusing.

On / Off switch

- Position 0 = instrument switched off.
- Position I = instrument switched on.

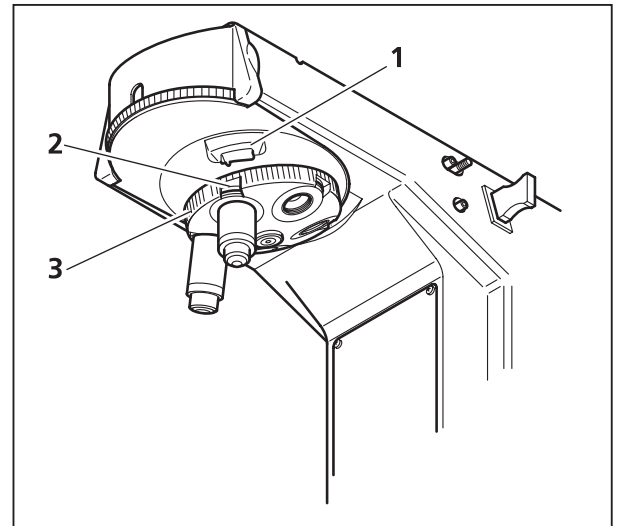


Fig. 3-4 Nosepiece with eyes for compensators and DIC slider

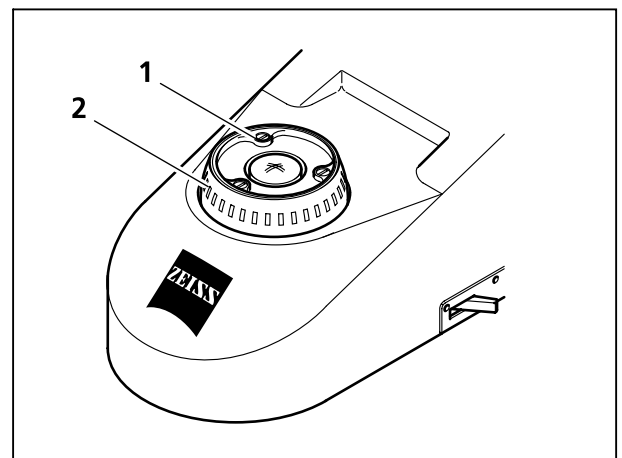


Fig. 3-5 Luminous-field diaphragm

3.1.2 Overview of operation and function controls of the Axioskop 2 mot plus

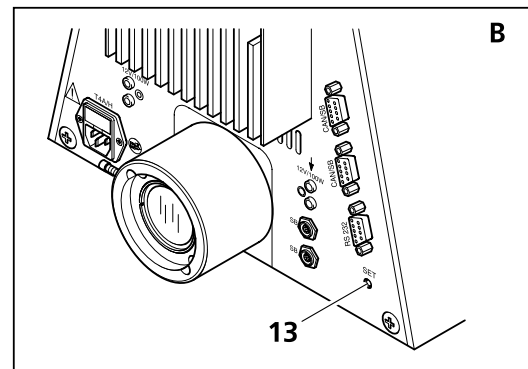
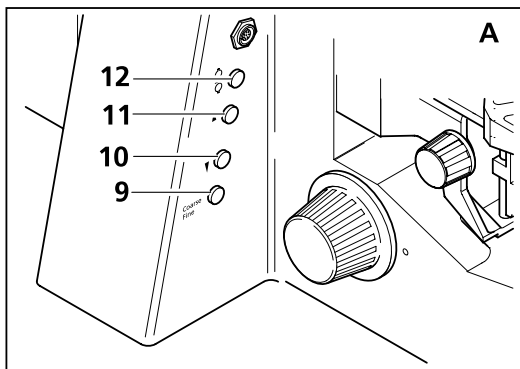
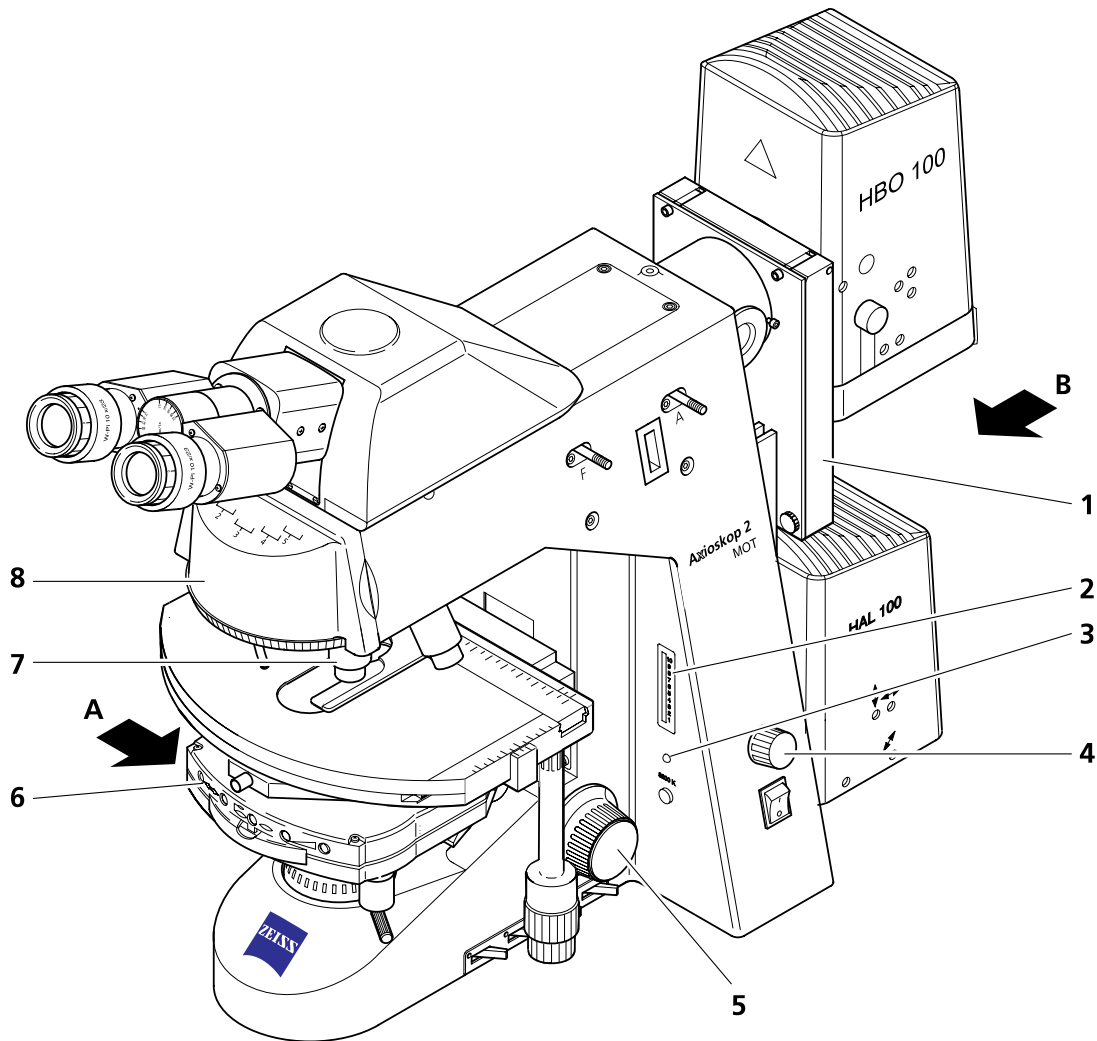


Fig. 3-6 Operation and function controls of the Axioskop 2 mot plus

Key to Fig. 3-6:

- 1 Motorized, 8-position FL excitation filter wheel for filter diameter 25 mm in epi-fluorescence (optional)
- 2 LED lamp voltage array
- 3 Pilot lamp
- 4 Control for light intensity
- 5 Motorized focusing drive (on both sides) for coarse / fine adjustment
- 6 Motorized universal condenser
- 7 Coded nosepiece with objectives
- 8 Coded reflector turret
- 9 Key for coarse / fine gear switchover
- 10 Key ▼ (for fast stage lowering)
- 11 Key ▲ (for fast stage lifting)
- 12 On / Off key for transmitted light
- 13 Set key

Motorized, 8-position FL excitation filter wheel

- Coded and motorized filter wheel with 8 positions for dia. 25 mm filters especially for applications in epi-fluorescence.

The filters can also easily be exchanged by the user:

- Loosen both knurled screws at the bottom side of the filter housing and fold up the side.
- Insert or replace filter and secure using the clamping ring.
- Close the filter housing and tighten the knurled screw.

LED lamp voltage array

- Indicates the present operating voltage of the halogen illuminator in 10 steps (3 ... 12 V).
- Indicates the speed in 10 steps for the focusing in the programming mode.

Pilot lamp

- The LED pilot lamp for the line voltage lights up when the instrument is switched on.
- During initialization of the instrument after switch-on, the pilot lamp lights up in orange.
- In the programming mode (see page 3-21), the pilot lamp lights up in green-orange.

Control for light intensity

- Controls the DC voltage supply of the halogen illuminator in the range between 3 and 12 V.
- Important note: When connected to the light manager, the control might be in one of the two stop positions, although the light intensity on the instrument differs from the relevant values. To change the light intensity, the control must be moved out of its stop position. Setting can then be performed as usual.

Motorized focusing drive coarse / fine adjustment

- Focusing knob for coarse or fine adjustment on both sides of the instrument
- Average increments: 80 nm, reproducibility in the focusing range: 0.15 µm.
- Overall lift: max. 25 mm.

Motorized universal condenser

Depending on the version, the achromatic-aplanatic universal condenser is equipped as follows:

- Motorized fold-out front lens.
- Motorized turret disk with brightfield insert, darkfield stop and phase stops (centering), DIC prisms combined with iris stop.
- Motorized aperture diaphragm (iris stop).

In the motorized mode, the front lens, the turret wheel and the aperture diaphragm of the universal condenser are moved automatically to the preset positions or to the positions stored via the Set key.

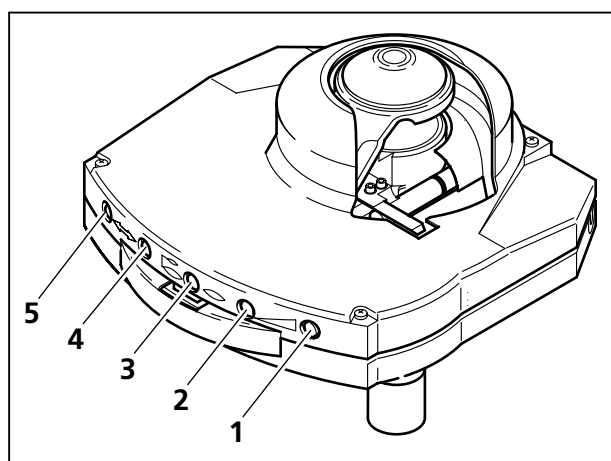


Fig. 3-7 Motorized universal condenser

In the manual mode, these functions are activated via the five keys on the front.

- Key "open aperture diaphragm" (3-7/1): aperture diaphragm is opened (until stop) as long as the key remains pressed.
- Key "close aperture diaphragm" (3-7/2): aperture diaphragm is closed (until stop) as long as the key remains pressed.
- Key "front lens on / off" (3-7/3): front lens is folded in or out alternately.
- Key "turn turret disk to the right" (3-7/4): turret disk is moved on to the right by one position. To set the next position, let go off the key for a short moment.
- Key "turn turret disk to the left" (3-7/5): turret disk is moved on to the left by one position. To set the next position, let go off the key for a short moment.

Coded nosepiece with objectives


- W 0.8" mounts for five objectives, each with a compartment for a DIC slider.
- Fast change of objectives by turning the knurled ring of the nosepiece. The set nosepiece position is recorded by the control unit.
- Coded nosepiece positions are marked by digits.
- Compartment for compensators.

Coded reflector turret

- Accepts the maximum of five technique modules such as the FL P&C reflector module and shutter plate for incident light and optovar module and analyzer module for transmitted-light.
- The coded reflector positions are marked by digits.
- Fast change of technique modules by turning the knurled ring of the reflector turret. The set turret position is recorded by the control unit.


Key for coarse / fine gear switchover

- Alternate switching of the gear between coarse and fine stage focusing.

 When a new objective is swung in the beam path via the nosepiece, the stage focusing is automatically set to fine adjustment.

Key ▼ for fast stage lowering

- When the key is activated, the stage is moved downwards out of the focus position by approx. 6 mm. The current focus position is stored.
- The specimen can be changed.

 When the stage is in the low position, the motorized focusing drive is switched off.

To avoid squashing of your fingers during fast stage lowering (changing key), the Axioskop 2 mot plus has been equipped with a safety switch-off device. The switch-off point (3-8/3) is approx. 11 mm below the upper stop (3-8/1) of the entire travel range of 25 mm. If the safety switch-off point is passed during fast stage lowering by 6 mm (3-8/2), fast stage lowering is stopped immediately at the reached point. A short beep is heard. Further lowering of the stage is now only possible when the ▼ key is constantly pressed until the entire fast lowering range of 6 mm has been passed.

A beep is also heard when the upper (3-8/1) or lower (3-8/4) stop is reached, and the motorized focusing drive is switched off.

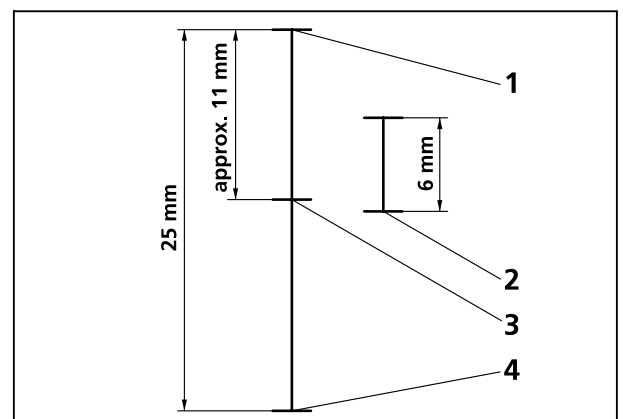


Fig. 3-8 Travel range of stage focusing (diagram)

Key ▲ for fast stage lifting

- When this key is activated, the stage is moved back to the focus position last stored.



In the case of different specimen slide thickness, there is a risk of the specimen and/or the objective being damaged during fast stage lifting. The procedure can then be stopped immediately by pressing the ▲ (fast stage lowering) key.

On / Off key for transmitted light

- When this key is activated, the transmitted light is switched on or off.



Transmitted light is always available when the microscope is switched on.

Set key

- Stores illumination and condenser settings and is used for programming.

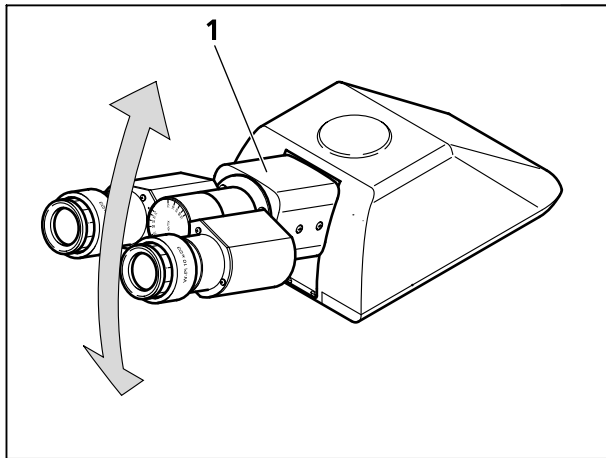


Fig. 3-9 Binocular ergotube

Binocular ergotube 6-25°/23

The binocular ergotube 6-25°/23 allows the viewing angle to be changed continuously in the range between 6° and 25° by swivelling the binocular component.

- To set the most convenient viewing angle, swivel the binocular component (3-9/1) upwards or downwards.
- The viewing height can be changed by turning the entire binocular component around 360° (3-11).
- The interpupillary distance can be changed by separate adjustment of the two eyepiece tubes.

Binocular ergo-phototube 6-25°/23 (100/100)

The camera port (3-10/1) of the binocular ergo-phototube allows the attachment of SLR-cameras, microscope cameras and video cameras via the relevant adapters. The light can be directed either to the eyepieces or to the attached camera via a pushrod.

- Pushrod (3-10/2) pushed in:
100 % of the light for the eyepieces
- Pushrod (3-10/2) pulled out:
100 % of the light for the camera.
- To set the most convenient viewing angle, swivel the binocular component (see 3-9/1) upwards or downwards.
- The viewing height can be changed by turning the entire binocular component around 360° (3-11).
- The interpupillary distance can be changed by separate adjustment of the two eyepiece tubes.

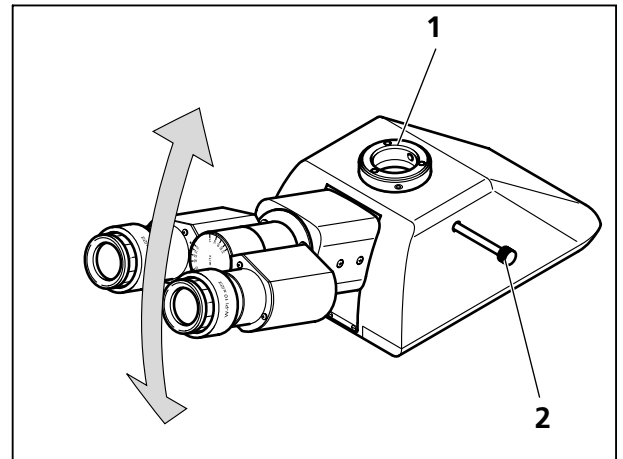


Fig. 3-10 Binocular ergo-phototube

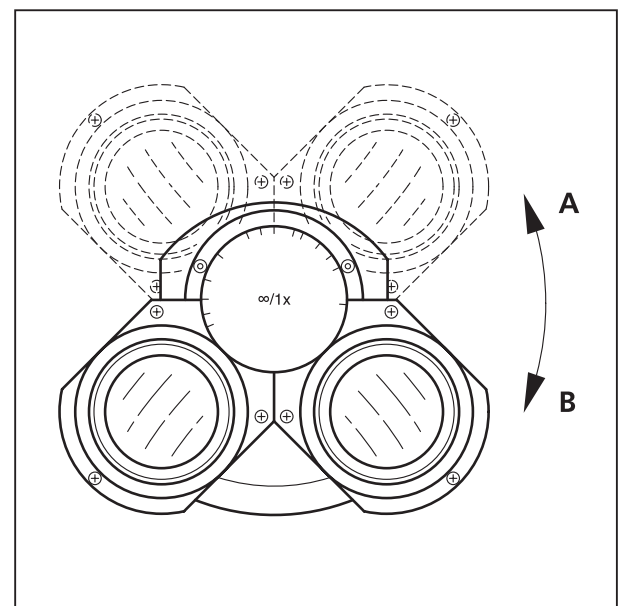


Fig. 3-11 Setting the interpupillary distance of the ergotube

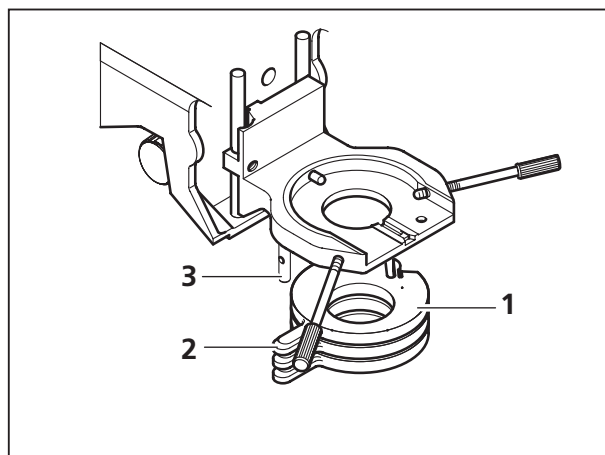


Fig. 3-12 Filter mount

Filter mount

The filter mount allows three additional dia. 32mm color filters to be swung in the beam path together or separately.

- Insert filter in one of the three filter plates (3-12/1).
- Swing filter plate into the beam path using grip (3-12/2) until it engages in locking pin (3-12/3).

Transmitted-light filter magazine

The transmitted-light filter magazine (3-1/18) can accommodate 3 swing-in neutral-density filters or the VIS/IR filter set for attenuation of the image brightness in the field of view. Each of these 3 neutral-density filters features graded transmission values of 1.5 %, 6 % and 25 % (viewed on the stand from front to back), thus permitting the maximum attenuation factor of 1:4400 when used individually or in a combination.

When several filters are combined, the transmission value is calculated as the product of the individual transmission values in percent.

Filter slider

The 3-position or 6-position FL filter slider (1-1/7) permits dia. 18 mm filters (e.g. PINKEL-type filters) to be inserted in the incident-light beam path. The position of the various filters in the beam path is locked via relevant notches in the filter slider.

The filter sliders can be equipped individually. For this purpose, only the rubber retaining ring must be removed.

Since the 6-position FL filter slider projects on the other side of the stand when pushed through, or can be inserted from both sides, the cover attached to the left of the stand as a standard must be exchanged for a special guiding piece, which is supplied together with the 6-position FL filter slider. The cover and the guiding piece are just inserted in the stand opening, i.e. they are easy to mount.

Intermediate tube with height adjustment

Attachment of the intermediate tube with height adjustment allows the viewing height of the Axioskop 2 *plus* to be increased continuously from 60 to 110 mm. This intermediate tube can only be used in combination with the binocular ergotube 6-25°/23 or the binocular ergo-phototube 6-25°/23 (100/100).

- Loosen clamping lever (3-13/2) of the tube. A system of springs presses the upper part (3-13/1) of the tube upwards.
- Press down upper part (3-13/1) or let go through the force of the spring until the required height is achieved.
- Tighten clamping lever (3-13/2).

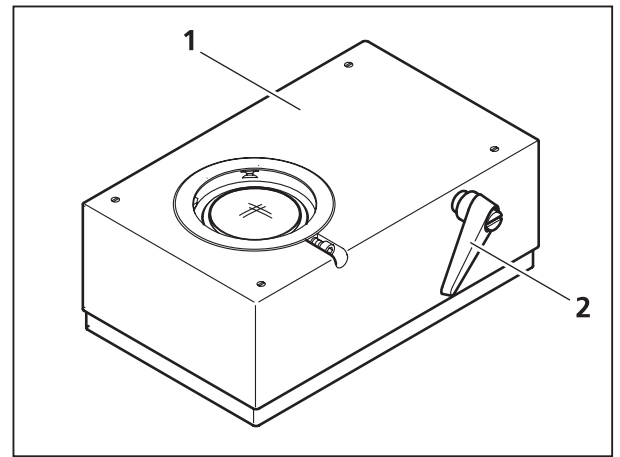


Fig. 3-13 Intermediate tube with height adjustment

3.2 Switching on and basic settings

3.2.1 Axioskop 2 *plus*

- Switch the instrument on with the on / off switch on the instrument rear (3-1/**27**).
The green pilot lamp (3-1/**10**) lights up.
- Set the required brightness using the control for light intensity. The LED array (3-1/**9**) indicates the present lamp voltage of the transmitted-light halogen illuminator.

3.2.2 Axioskop 2 *mot plus*

- Switch the instrument on with the on / off switch on the instrument rear (3-1/**27**).

After the microscope is switched on, the control unit will perform a system check of all the connected components. During the system check, the pilot lamp on the stand lights up in orange. After approx. 3 seconds, the microscope is ready for operation and is in the so-called automatic mode. The pilot lamp on the stand now lights up in green.

The Axioskop 2 *mot plus* features two different function modes and one programming mode:

Function modes:

- In the **automatic mode** (standard setting), the illumination is set automatically (light manager function) in accordance with the values last stored.
- In the **manual mode**, the function of the light manager is switched off. Illumination intensity and condenser settings must be made manually, as in the Axioskop 2 *plus*.

Programming mode:

- In the **programming mode**, the user can individually match and store the focusing speeds and focus positions of the various objectives (parfocality).

Overview of function and programming modes:

	Function modes		Programming mode
	automatic	manual	
Start	<ul style="list-style-type: none"> Switch on Axioskop 2 mot plus with the on / off switch (3-1/27) (standard setting after each switch-on) 	<ul style="list-style-type: none"> Keep key "transmitted light on / off" (3-14/1) pressed and Switch on the Axioskop 2 mot plus with on / off switch (3-1/27) and wait until beep is heard after 3 s 	<ul style="list-style-type: none"> Keep Set key (3-15/1) on instrument rear pressed for more than 2 s until double beep is heard
Settings	<ul style="list-style-type: none"> <u>Light intensity</u> depending on objective (nosepiece) and technique module (reflector turret) <u>Condenser turret position</u> depending on objective (nosepiece) and technique module (reflector turret) <u>Condenser front lens</u> depending on objective (nosepiece) <u>Aperture diaphragm opening</u> depending on objective (nosepiece) <u>Transmitted-light illumination</u> depending on technique module 	<ul style="list-style-type: none"> Set the Axioskop 2 mot plus in the same way as the Axioskop 2 plus 	<ul style="list-style-type: none"> <u>Focus positions</u> depending on objectives (parfocality) <u>Focusing speeds:</u> 10 steps
End		<ul style="list-style-type: none"> Switch off the Axioskop 2 mot plus with on / off switch (3-1/27) 	<ul style="list-style-type: none"> Shortly press Set key (3-15/1) on instrument rear

Both function modes and the programming mode are described in detail on the following pages.

(1) Illumination setting in the automatic mode (light manager function)

When switched on, the Axioskop 2 *mot plus* **always** starts in the automatic mode. The factory-aligned (average) values or the last stored settings of illumination intensity, condenser functions, transmitted light on or off (light manager function) are activated depending on the relevant nosepiece or reflector turret positions (see the following table). The condenser turret position has been factory-set to transmitted-light brightfield.

Action	Turning the nosepiece	Turning the reflector turret
Reactions	Setting of light intensity Switching of condenser turret Folding in / out of front lens Opening / closing of aperture diaphragm transmitted light	Setting of light intensity Switching of condenser turret Transmitted light on / off

The values for illumination intensity and the condenser functions can be changed manually any time. However, if a new objective is swung in via the nosepiece, or if a new reflector position is set, the microscope control will automatically set the illumination and condenser functions to the values stored for these positions.

If manually changed settings (e.g. light intensity and aperture diaphragm opening for KÖHLER illumination) are to be stored, this is possible by shortly pressing the Set key (< 1 second) on the instrument rear. The successful storing is confirmed by a short beep when the Set key is released. The settings are allocated to the current nosepiece and reflector turret positions and are available immediately (i.e. when nosepiece / reflector turret is swung in the same position again).

(2) Illumination setting in the manual mode

If required, the Axioskop 2 *mot plus* can be switched to the manual mode. Illumination intensity and condenser functions must then be operated manually, as in the Axioskop 2 *plus*.

The manual mode is set as follows:

- Switch off the microscope with the on / off switch (3-1/27).
- Press, and keep pressed, the transmitted-light on / off key (3-14/1).
- Switch the microscope on again with the on / off key (3-1/27) and wait until beep is heard after approx. 3 seconds. Do not release the transmitted light on / off key (3-14/1) until this beep is heard.
- The Axioskop 2 *mot plus* is then in the manual mode.

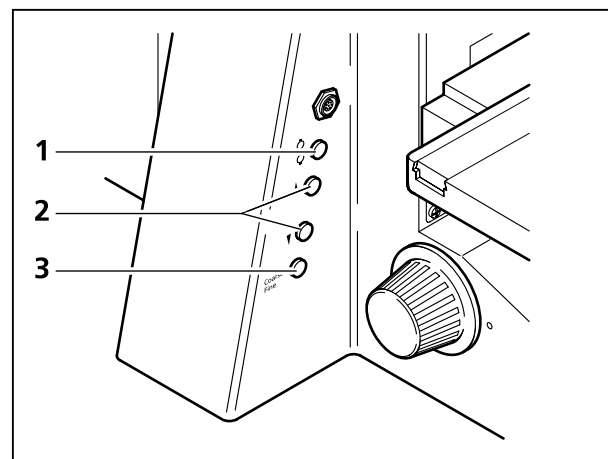


Fig. 3-14 Switch on manual mode

(3) Setting of parameters for stage focusing in the programming mode

When the parameters for stage focusing are set individually, the focus positions of the various objectives (parfocality) and the focusing speeds are matched to the appropriate objective magnification.

This is done in the programming mode, which is reached by pressing the Set key for more than 2 seconds.

The focus positions and focusing speeds are normally matched to the objective magnification only when the microscope is used for the first time or after the change of objectives in the nosepiece. To allow matching, the microscope must be set in the programming mode via several key functions.

Parfocality between the objectives is factory-set to zero. When matching the focus positions between the used objectives, always start with the dry objective with the highest magnification factor, since this features the smallest depth of focus. The focusing speed is factory-set to the maximum value for all objective positions to facilitate setting.

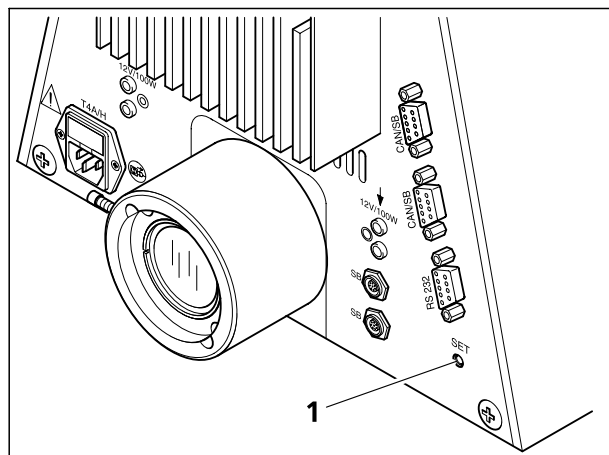


Fig. 3-15 Set key

The parameters for stage focusing are set as follows:

- Swing in the dry objective with the highest magnification factor via the nosepiece.
- Set reflector turret to transmitted-light position (see 3-1/23).
- Use fine adjustment for precise focusing on the specimen.
- Keep Set key (3-15/1) pressed for more than 2 seconds until double beep is heard. The programming mode for the setting of parfocality and to match the focusing speeds is now activated.

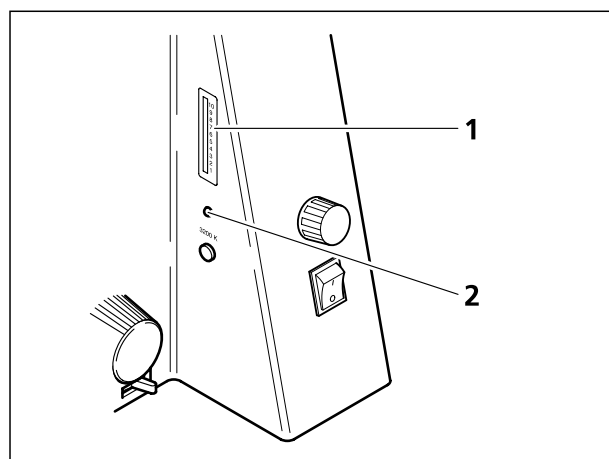


Fig. 3-16 LED array and pilot lamp

The pilot lamp on the right of the stand (3-16/2) lights up alternately from green to orange as long as the instrument is in the programming mode.

The focusing speed can be changed in 10 steps via the two keys for fast stage lowering / lifting (3-14/2).

- Key ▲: higher speed
- Key ▼: lower speed

- The focusing speed can be matched to the individual requirements by switching between coarse and fine adjustment (3-14/3) and by experimenting.

The set speed is indicated on the LED array on the right of the stand (3-16/1).

- Then precisely focus on the specimen again and turn the nosepiece to bring the objective with the next lowest magnification in the beam path.

By turning the nosepiece to the next position, the focus position and focusing speed values set for the previous position will be stored in the programming mode.

- Set focusing speed via the current objective, focus precisely on the specimen and store the settings by turning the nosepiece to the next position.
- Repeat these steps for all objectives. Oil immersion objectives should always be the last in the row of settings.

- Leave the programming mode by shortly pressing the Set key.

The end of the programming mode is confirmed by a beep when the Set key is released. The pilot lamp lights up in green again.



If several reflector positions are to be used, (e.g. different reflector modules for incident light or Optovar modules for transmitted light), parfocality must be set and focusing speed matched in the programming mode separately for each reflector position in accordance with the steps described above.

3.3 Illumination and contrasting techniques

3.3.1 Setting of transmitted-light brightfield according to KÖHLER

(1) General principle

Transmitted-light brightfield microscopy is the most usual of all the optical techniques, since it allows the easy and fast viewing of high-contrast or stained specimens (e.g. blood smears).

For as true-to-object imaging as possible, indirect ray bundles, i.e. ray bundles diffracted and scattered on the specimen details, are of major importance in addition to the so-called direct ray bundles. The higher the portion of indirect rays (aperture), the more realistic the microscope image will be, according to ABBE's rule.


To utilize the entire optical performance of the microscope, especially of the objective, the condenser, the luminous-field diaphragm and the aperture diaphragm should be set in accordance with the rules for KÖHLER illumination. These basic rules of microscope setting are described in detail in section 3.3.1 (3) "Transmitted-light brightfield settings according to KÖHLER on the manual Axioskop 2 *plus*".

(2) Transmitted-light brightfield equipment of the manual Axioskop 2 *plus*

Each manual Axioskop 2 *plus* configuration permits performance of the transmitted-light brightfield technique.

(3) Transmitted-light brightfield settings according to KÖHLER on the manual Axioskop 2 *plus*

- The manual Axioskop 2 *plus* has been set up as described in chapter 2.
- The manual Axioskop 2 *plus* has been switched on.
- Set the image brightness via voltage control (3-17/1) on the microscope stand.
- Place a high-contrast specimen on the specimen holder of the mechanical stage.
- Swing in front lens of the universal condenser (3-17/3) (for objectives $\geq 10\times$) and use drive for height adjustment (3-18/2) to move condenser to the upper stop. The stop must be set in such a way that the specimen is not touched by the condenser (for setting of condenser stop, see section 3.3.1 (4)).
- Switch turret disk of condenser (if available) to position H for brightfield via the knurled ring. If no separate brightfield position is available, the turret position (I, II, or III) can be chosen which does not contain a DIC prism. If all three positions are equipped with DIC prisms, switch off the analyzer in the reflector turret.

 One turret position of the universal condenser should remain empty for highest demands in transmitted-light brightfield.

- Swing in 10x objective (yellow ring, see p. 1-12) in the nosepiece (3-17/6) and focus on the specimen via drive (3-17/2).
- Close luminous-field diaphragm (3-17/4) until it becomes visible (even if not in focus) in the field of view (3-17/A).
- Use drive for height adjustment (3-18/2) to lower condenser until the edge of the luminous-field diaphragm appears in focus (3-17/B).
- Use both centering screws (3-18/3) of the universal condenser to center the luminous-field diaphragm (3-17/C) and then open the diaphragm until its edge just disappears from the field of view (3-17/D).
- For aperture diaphragm setting (contrast), remove one eyepiece from the tube and look into the tube with your naked eye. Use sliding knob (3-17/5) to set the aperture diaphragm to approx. 2/3 ... 4/5 of the diameter of the objective exit pupils (3-17/E). In most applications, this aperture diaphragm setting provides optimum contrast at almost ideal resolution, and is therefore the best compromise for the human eye.
- Insert eyepiece in the tube again.

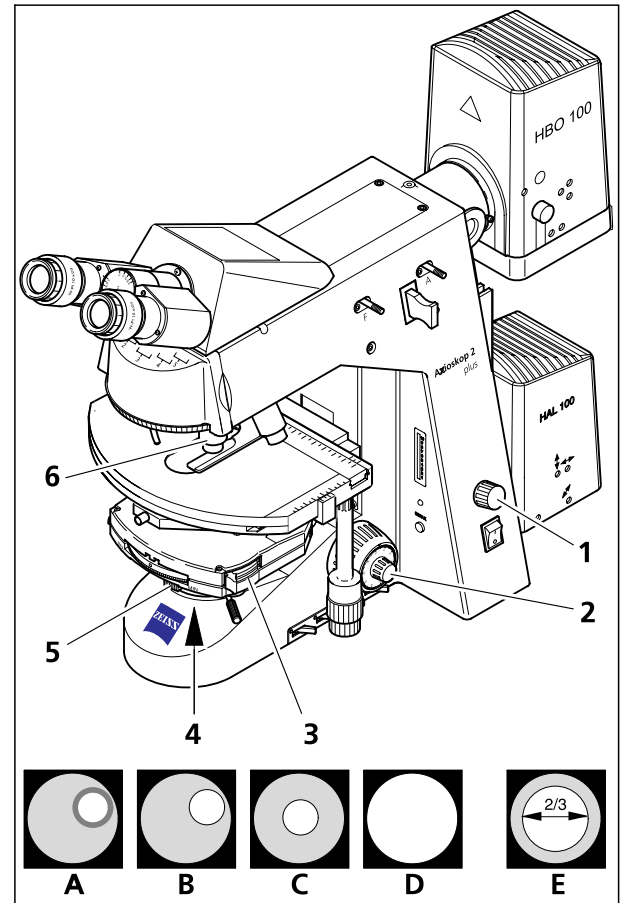



Fig. 3-17 Microscope settings on the Axioskop 2 plus in transmitted-light brightfield

 Since field size and objective aperture change after every objective change, the setting of the luminous-field diaphragm and the aperture diaphragm must be repeated to obtain optimum results.

For < 10x objectives, the front lens of the condenser must be folded out and the aperture diaphragm fully opened. In the case of such large fields, the luminous-field diaphragm can also be used for better contrasting by reducing its opening until it becomes visible in the field of view.

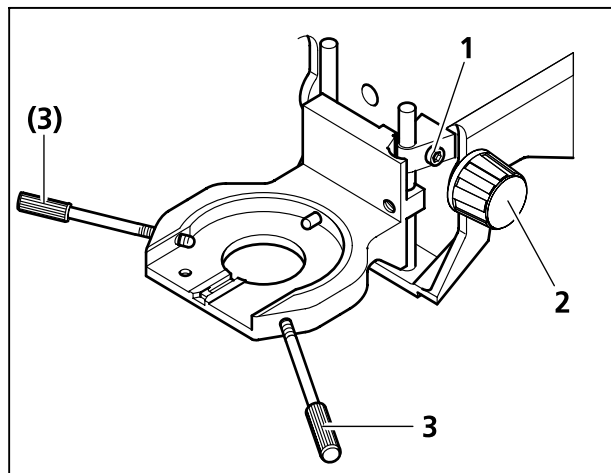


Fig. 3-18 Setting the height stop on the condenser carrier

(4) Setting the height stop on the condenser carrier

- Loosen fixation screw of height stop (3-18/1) using SW 3 ball-headed screwdriver.
- Use focusing drive to focus on the specimen.
- Close luminous-field diaphragm and image it in focus via the height adjustment control (3-18/2) of the universal condenser.
- Carefully lift the condenser slightly without touching the specimen.
- Tighten fixation screw (3-18/1) of the height adjustment.

(5) Transmitted-light brightfield configuration of the Axioskop 2 *mot plus*


Each Axioskop 2 *mot plus* configuration permits the performance of the transmitted-light brightfield technique.

(6) Setting the Axioskop 2 *mot plus* for transmitted-light brightfield according to KÖHLER

- The Axioskop 2 *mot plus* has been set up as described in chapter 2.
- Programming of the stage movement in Z, which covers the matching of focus positions and focus speeds of the used objectives, has been finished.
- The instrument is switched on and is in the automatic mode.

Illumination intensity, condenser settings (position of the front lens, position of the turret disk and the opening of the aperture diaphragm) and the status "transmitted light switched on or off" are stored by pressing the Set key.

- Setting of KÖHLER illumination to be performed in the same way as described in section 3.3.1 (3) for the manual Axioskop 2 *plus*. Unlike this procedure, however, the luminous-field diaphragm must be fully opened after the correct setting of the condenser. Shortly press the Set key on the instrument rear after the last setting step to store the settings. A short beep is heard when the Set key is released to indicate that storage has been performed.
- The above diaphragm settings must be repeated for all objectives, since field size and objective aperture have different values.

 For < 10x objectives, the front lens of the universal condenser must be folded out and the aperture diaphragm fully opened.

3.3.2 Setting of transmitted-light darkfield

(1) General principle

On account of their light transmission, unstained biological specimens, such as bacteria or living cell cultures, are often barely or not at all visible in transmitted-light brightfield. This changes markedly if such specimens are viewed in transmitted-light darkfield, where the specimen is always illuminated using an aperture which is larger than that of the objective used.

In darkfield, only the diffracted and scattered light components, which are important for image formation, reach the objective, while the direct unchanged light bundles are directed past the objective. This is one of the reasons why even fine structures can be resolved, although they are below the resolving power of the light microscope and appear very bright on a dark background.

(2) Transmitted-light darkfield configuration for the manual Axioskop 2 *plus* and the Axioskop 2 *mot plus*

- Universal condenser with darkfield stop in position D and 0.76 ... 0.90 aperture on the illumination side
- Use of ICS objectives up to the maximum aperture of 0.75. Objectives with a higher aperture can only be used together with the above universal condenser if they feature an integrated aperture iris stop.

(3) Transmitted-light darkfield settings on the manual Axioskop 2 *plus* and Axioskop 2 *mot plus*

- Setting of KÖHLER illumination is identical to transmitted-light brightfield, except that the highest aperture objective must be used instead of the 10x objective.
- Turn turret disk of the universal condenser to position D (for Axioskop 2 *mot plus* using key (3-7/4 or 5)) and swing in condenser front lens (for Axioskop 2 *mot plus* using key (3-7/3)).
- Remove eyepiece from the tube (replace it with the centering telescope) and check the centering of the darkfield stop in the objective exit pupil. If the central darkfield stop D in the universal condenser is outside or out of the center of the objective exit pupil, and if the exit pupil is not homogeneously dark, the darkfield stop must be recentered.
- To center the darkfield stop, use the two SW 1.5 (3-19/1 and 4) Allen screwdrivers and set the two centering screws (3-19/2 and 3) until the objective exit pupil is homogeneously dark. After centering, remove both SW 2 screwdrivers from the condenser.

If the two Allen screwdrivers are left in the motorized universal condenser by mistake, this provides no risk to the condenser drives, since these switch off automatically as soon as an obstruction is approached. After removal of the obstruction, the condenser can be used as usual.

 Since the apertures of objectives with an integrated aperture iris stop are too high for transmitted-light darkfield, the aperture iris stop must be closed to the limit aperture of 0.75.

As dark a field background as possible is always the performance criterion for the darkfield technique.

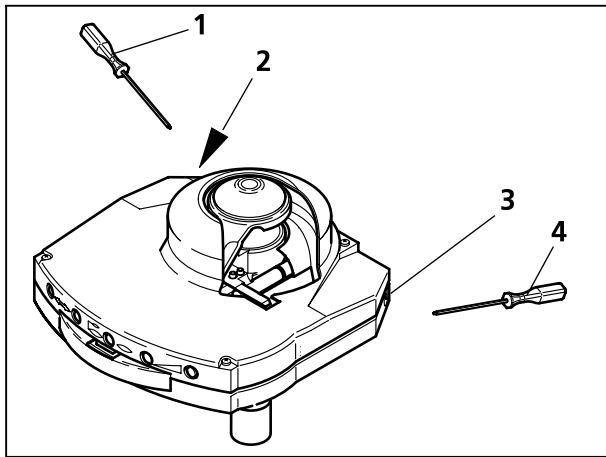



Fig. 3-19 Centering of darkfield stop on the universal condenser

- Insert eyepiece in the tube again.
- If the height of the dark field condenser has been set correctly and sensibly enough, any visible brightening in the field of view can be reduced, and the luminous-field diaphragm image will be almost perfectly in focus.
- Finally, match the diameter of the luminous-field diaphragm to the size of the field of view.

 Darkfield microscopy requires specimens to be considerably cleaner than in other techniques. Finger prints, dirt or dust particles in particular have negative effects, since they brighten the background of the field of view and decrease the contrast of the object image.

3.3.3 Setting of transmitted-light phase contrast

(1) General principle

The phase contrast technique is ideal for examinations of thin, unstained specimens, e.g. culture cells. The human eye is unable to see phase differences (differences in refractive index and thickness) between the different cell components.

The phase contrast technique uses the optical modulators "phase stop and phase ring" and the interference procedures during the formation of the intermediate image to change the small phase differences in intensity and color differences which are visible to the eye.

The high-intensity, direct light components are attenuated using the annular channel optically defined as "phase stop and phase ring", and a constant phase shift is applied. The indirect light components diffracted at different cell components, however, by-pass this optical channel and are influenced by the in-phase refractive index and the thickness differences in the specimen.

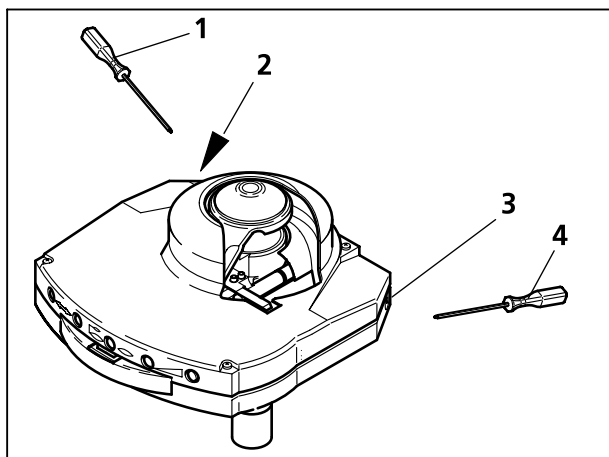
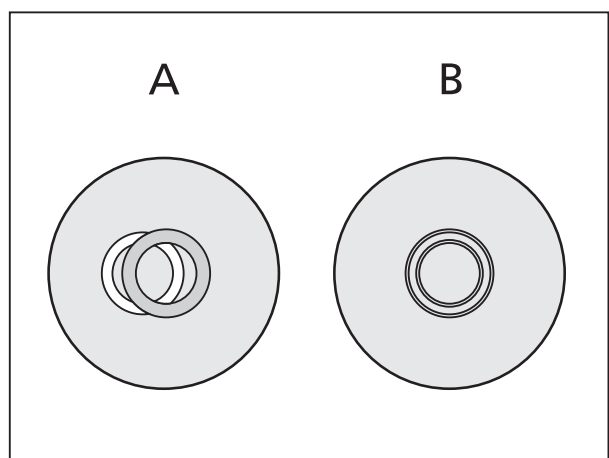
In the intermediate image plane, the differently influenced partial beams interfere and are enhanced or attenuated - depending on the phase position. This interference results in image contents displaying intensity and color differences which can be recognized by the human eye.

(2) Configurations of the manual Axioskop 2 *plus* and the Axioskop 2 *mot plus*

- Phase contrast objectives with phase rings Ph 1, Ph 2 or Ph 3 for different average numeric apertures which can also be used in brightfield without any restriction.
- Universal condenser with turret disk containing centering phase stops Ph 1, Ph 2 and Ph 3 for different average numeric apertures.
- The inserted phase stop on the universal condenser must match the appropriate label on the objective, e.g. Ph 1.



In the Axioskop 2 *mot plus*, the allocation of the phase stop in the condenser turret to the relevant phase contrast objective in the nosepiece is stored after pressing the Set key. This ensures the combination of phase contrast objective and phase stop always being set correctly.

(3) Transmitted-light phase contrast settings on manual Axioskop 2 *plus* and Axioskop 2 *mot plus***Fig. 3-20** Centering of phase stop on universal condenser**Fig. 3-21** Centering of phase stop (bright in condenser) to phase ring (dark in objective)

- Swing phase contrast objective, e.g. Ph 1, in the beam path.
- Insert phase stop labelled like the phase contrast objective, e.g. Ph 1, using the turret disk of the universal condenser (with the Axioskop 2 *mot plus*, use keys 3-7/**4** and **5**).
- To check centering and congruence of the bright phase stop (in condenser) with the dark phase ring (in objective), remove one eyepiece from the tube and replace it with the centering telescope. Use the correction device of the centering telescope to focus on the phase stop and the phase ring in the objective exit pupil.
- If congruence is not perfect (3-21/**A**), the two SW 1.5 screwdrivers (3-20/**1** and **4**) must be used on the two centering screws (3-20/**2** and **3**) to recenter the bright phase stop until complete congruence with the dark phase ring is achieved (3-21/**B**).
- Insert eyepiece in the tube again.

Normally, however, centering is not required, since the phase stops are factory-centered and the centering is retained even if the universal condenser is removed from the condenser carrier and attached again.

To enhance the image contrast, an interference wide-band filter, green 32 x 4, can be placed on the luminous-field diaphragm or inserted in the filter mount (if available).

Complete phase contrast is only achieved if the bright phase stop (in condenser) and the dark phase ring in objective) are exactly congruent in the illumination beam path (3-21/**B**).

3.3.4 Setting of transmitted-light polarization

3.3.4.1 Detection of birefringence

(1) Application

The transmitted-light polarization technique is used for specimens which change the polarization condition of light. These are called birefringent, e.g. crystals, minerals or polymers. If these birefringent substances are viewed between crossed polarizers (polarizer \perp analyzer), they are brightened while their surrounding remains dark.

Birefringent substances are recognized by the fact that they feature 4 bright and 4 dark positions between crossed polarizers when the microscope stage is turned around 360° . Interference colors ranging from gray (mostly with biological objects) to white, yellow, red and blue occur as a function of birefringence, thickness and orientation of the object. These interference colors can be of the 1st or a higher order.

(2) Axioskop 2 plus and Axioskop 2 mot plus configuration

- Objectives suitable for polarization
- Rotary mechanical stage 75x50/240° R
- SENARMONT DIC polarizer or polarizer D (rotary or fixed), unless a polarizer is integrated in the condenser
- Analyzer module D in the reflector turret

(3) Setting of Axioskop 2 plus and Axioskop 2 mot plus

- Set the microscope as for transmitted-light brightfield according to KÖHLER (see section 3.3.1 (3)).
- Center rotary mechanical stage (3-22/2) (see section 2.2.9 (2)).
- Swing polarizer (3-22/1) in beam path and position it to 0° , provided that a rotary polarizer is used.
- Swing in analyzer module on reflector turret (3-22/3). The field of view now appears dark on account of the crossed polarizers.
- Bring examination object in the field of view and turn it around 240° along with the rotary stage. Birefringent (anisotropic) objects now normally display the aforesaid color and intensity changes occurring during rotation between crossed polarizers. However, optically anisotropic substances can also remain dark if an isotropic direction, e.g. of optically uniaxial or biaxial crystals, is oriented parallel to the observation direction.

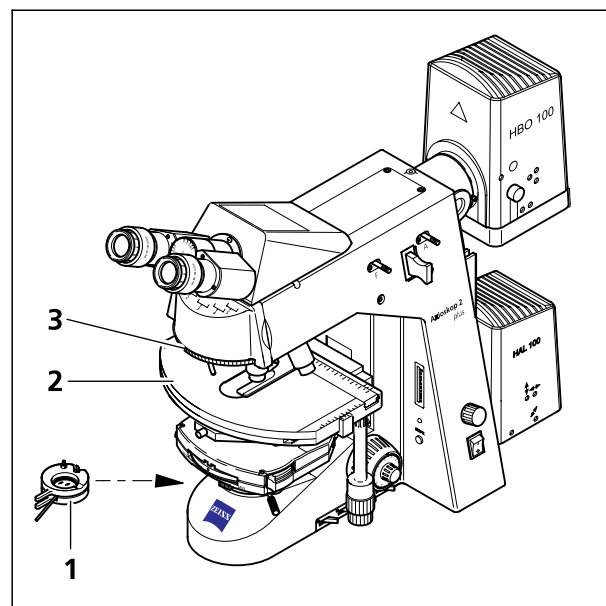


Fig. 3-22 Components for transmitted-light polarization on the Axioskop 2 plus

3.3.4.2 Determination of the vibration direction $n_{\gamma'}$

(1) Application

The determination of vibration directions n_{γ} , $n_{\gamma'}$ (direction with the absolutely and relatively highest refractive index), n_{α} and $n_{\alpha'}$ (direction with the absolutely and relatively lowest refractive index) in relation to morphological directions, e.g. of crystal surfaces, crystal needles or fibers, is an important criterion for recognition. It is also used for the diagnosis of biocrystals (e.g. gout, pseudogout).

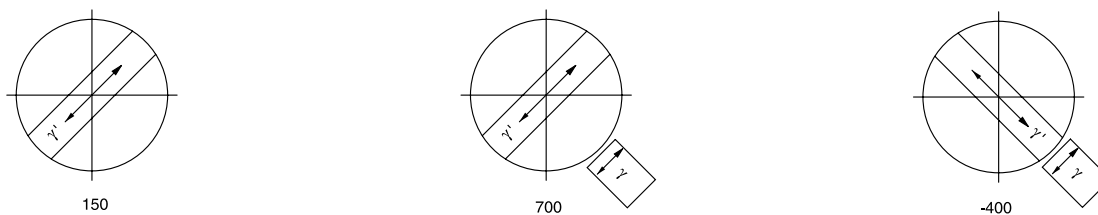


Fig. 3-23 Determination of the vibration direction $n_{\gamma'}$ using the example of an artificial fiber


(2) Axioskop 2 plus and Axioskop 2 mot plus configuration

- Eyepiece with reticle
- Objectives suitable for polarization
- Rotary mechanical stage 75x50/240° R (3-22/2)
- SENARMONT DIC polarizer or polarizer D (rotary or fixed), unless a condenser with integrated polarizer is used.
- Analyzer module D in reflector turret
- Adjusting specimen for polarization microscopy (453679-0000-000)

(3) Setting of Axioskop 2 plus and Axioskop 2 mot plus

- Set the microscope as for transmitted-light brightfield (see section 3.3.1 (3)), taking care to ensure that the interpupillary distance of the binocular tube has been correctly set (see section 2.1.3 (2)).
- Center the rotary mechanical stage (3-22/2) (see section 2.2.9 (2)).
- Swing polarizer (3-22/1) in beam path and position it to 0°, provided that a rotary polarizer is used.
- Swing in analyzer module on reflector turret (3-22/3). The field of view now appears dark on account of the crossed polarizers.
- Place Pol adjusting specimen on the microscope stage and turn the stage until the adjusting specimen is in dark position.
- Switch off analyzer and align crosslines with the cracks of the object.
- Then switch on analyzer again and remove the adjusting specimen. The transmission directions of polarizer and analyzer are now parallel to the crosslines (polarizer E-W, analyzer N-S).

- Turn the mechanical stage with specimen, e.g. an artificial fiber until the specimen displays maximum darkness. The fiber is now parallel to one of the two directions of the crosslines. If pronounced deviations (5° and more) occur, a polarization microscope must be used.

 The interpupillary distance of the binocular tube must no longer be changed now, since otherwise the angle position of the crosslines with reference to the fiber will be changed.

- Turn the stage by approx. 45° until the longitudinal axis of the fiber is oriented in NE-SW (3-23). The specimen now features optimum brightness (diagonal position). In this position, the specimen can display any color.
- Push in the compensator λ .

Like the specimen, the compensator λ is a birefringent object, though with a defined path difference of 550 nm and the largest vibration direction n_γ defined to be oriented in NE-SW direction

The specimen changes its color when the compensator λ is pushed in. The type of the color change depends on the orientation of the specimen (NE-SW or NW-SE).

The color changes are caused by optical interference. The interference colors (path differences) in both diagonal positions (NE-SW and NW-SE) of the specimen must be compared.

The path difference results from the superimposition (interference) of the vibration direction of the specimen and that of the compensator λ .

The highest path difference occurs if the vibration direction of the specimen with the absolutely or relatively highest refractive index (n_γ or n_γ') is parallel to the largest vibration direction of the compensator λ . The specimen will then appear in greenish-blue, for example.

The smallest path difference occurs if the vibration direction of the specimen with the absolutely or relatively lowest refractive index (n_α or n_α') is perpendicular to the vibration direction of the compensator λ . The specimen then appears in yellow, for example.

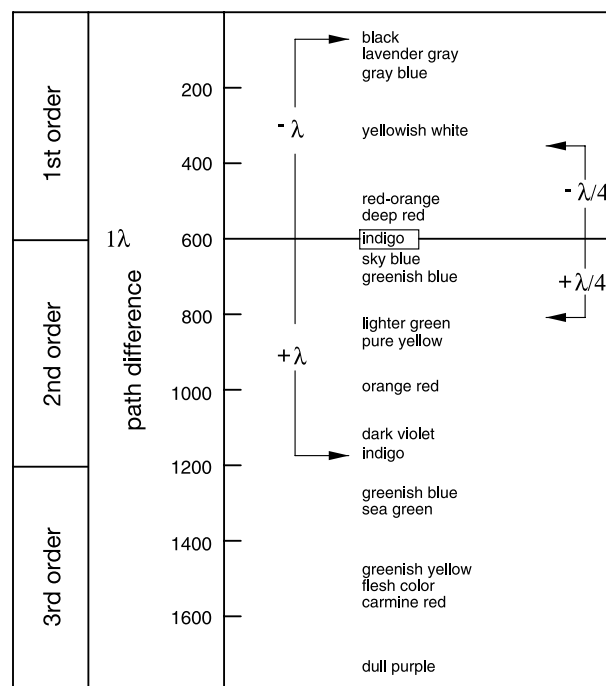


Fig. 3-24 Diagram of the Michel-Lévy color charts

(4) Conclusions

The grayish white color first occurring in the bright position in the above example corresponds to a path difference of 150 nm, according to the Michel Lévy color chart (3-24).

The "surrounding" of the artificial fiber, which is not birefringent, displays a dark red when the compensator λ is inserted, which corresponds to the path difference of the compensator of 550 nm (1st order interference color for the path difference 550 nm, corresponds to 1 λ).

If the vibration direction of the birefringent specimen to be examined is parallel to the largest vibration direction of the compensator λ , i.e. in NE-SW direction, the path difference of the specimen (e.g. grayish white: 150 nm) and the path difference of the compensator λ (red: 550 nm) add up. This results in a color change of the specimen from grayish white to greenish blue (resulting path difference = 700 nm).

If the vibration direction of the specimen to be examined is perpendicular to the largest vibration direction of the compensator λ , i.e. in NW-SE direction, the path difference of the specimen (e.g. grayish white: 150 nm) is subtracted from the path difference of the compensator λ (red: 550 nm). A change in the interference color of the specimen from grayish white to orange (resulting path difference = 400 nm) then becomes visible.



Michel Lévy color charts are available under order No. 42-312.

3.3.4.3 Circular polarization contrast

(1) Application

Unlike polarization contrast, circular polarization contrast does not feature any dark positions which depend on the turning angle (azimuth) of the specimen in relation to the polarizer or analyzer. All transparent specimens feature their specific interference colors in optical anisotropy.

(2) Axioskop 2 plus and Axioskop 2 mot plus configuration

- Objectives suitable for polarization
- Rotary mechanical stage 75x50/240° R
- Circular polarizer D (polarizers must not be integrated in the condenser), including the relevant $\lambda/4$ -plate
- Analyzer module D in reflector turret

(3) Setting of Axioskop 2 plus and Axioskop 2 mot plus

- Set the microscope as for transmitted-light brightfield according to KÖHLER (see section 3.3.1 (3)).
- Center the rotary stage (3-25/3) (see section 2.2.9 (2)) and then remove specimen from the stage.
- Swing circular polarizer (3-25/2) in the beam path.
- Swing analyzer module D on reflector turret (3-25/4). The field of view now appears dark on account of the crossed polarizers.
- Push the upper $\lambda/4$ -plate (3-25/1) into the compartment for compensators above the nosepiece until stop. The previously dark field of view becomes bright again.
- Turn the $\lambda/4$ -plate of the circular polarizer (3-25/2) until optimum darkness of the field of view is achieved. Close the aperture diaphragm by approx. $2/3$ of its diameter to increase the dark position.
- Position the specimen to be examined on the mechanical stage again.

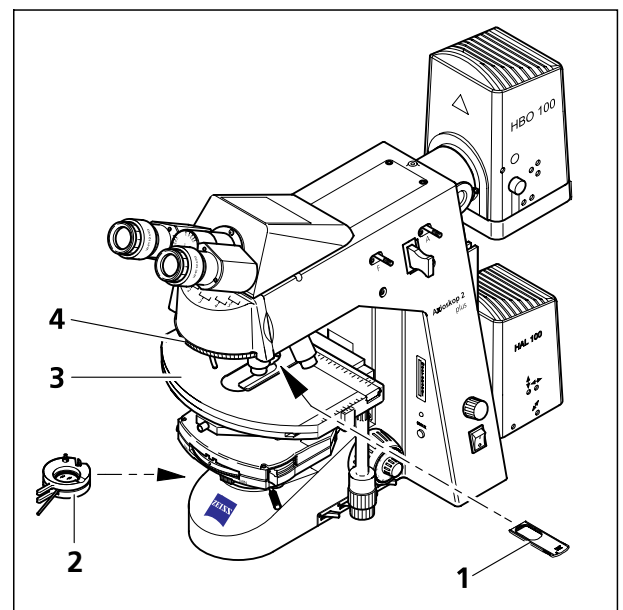


Fig. 3-25 Components for transmitted-light polarization on the Axioskop 2 plus

3.3.5 Setting of transmitted-light differential interference contrast (DIC)


(1) General principle

The transmitted-light DIC technique is an alternative contrasting technique for polarization applications, permitting high-contrast 3D images of transparent specimen details.

Light which has been linearly polarized by a polarizer is split into two partial beams in a birefringent prism. These partial beams pass two close-lying specimen areas with different refractive indices and specimen thickness. This causes path differences in both beams. The beams are then united in a second birefringent prism and feature the same vibration direction after passing the analyzer. Therefore, both beams can interfere in the intermediate image, with the path differences being transformed into different gray values (intensities). A compensator λ (lambda plate) subsequently changes the gray values to colors.

(2) Axioskop 2 *plus* and Axioskop 2 *mot plus* configuration

- Objectives offered with DIC equipment, e.g. Plan-Neofluar
- Nosepiece with compartment for DIC slider
- DIC slider, suitable for the objectives used
- Condenser with turret disk with DIC prisms (DIC I, DIC II, DIC III)
- Polarizer, e.g. SENARMONT polarizer

 In the case of the achromatic-aplanatic universal condensers 0.9 H D Ph DIC, 445439 (or 445440 MOT) the DIC prisms in the turret disk are already combined with a polarizer. When other condensers are used, a separate polarizer is therefore required, e.g. the SENARMONT polarizer.

- DIC analyzer module in reflector turret
- Rotary mechanical stage should be preferred

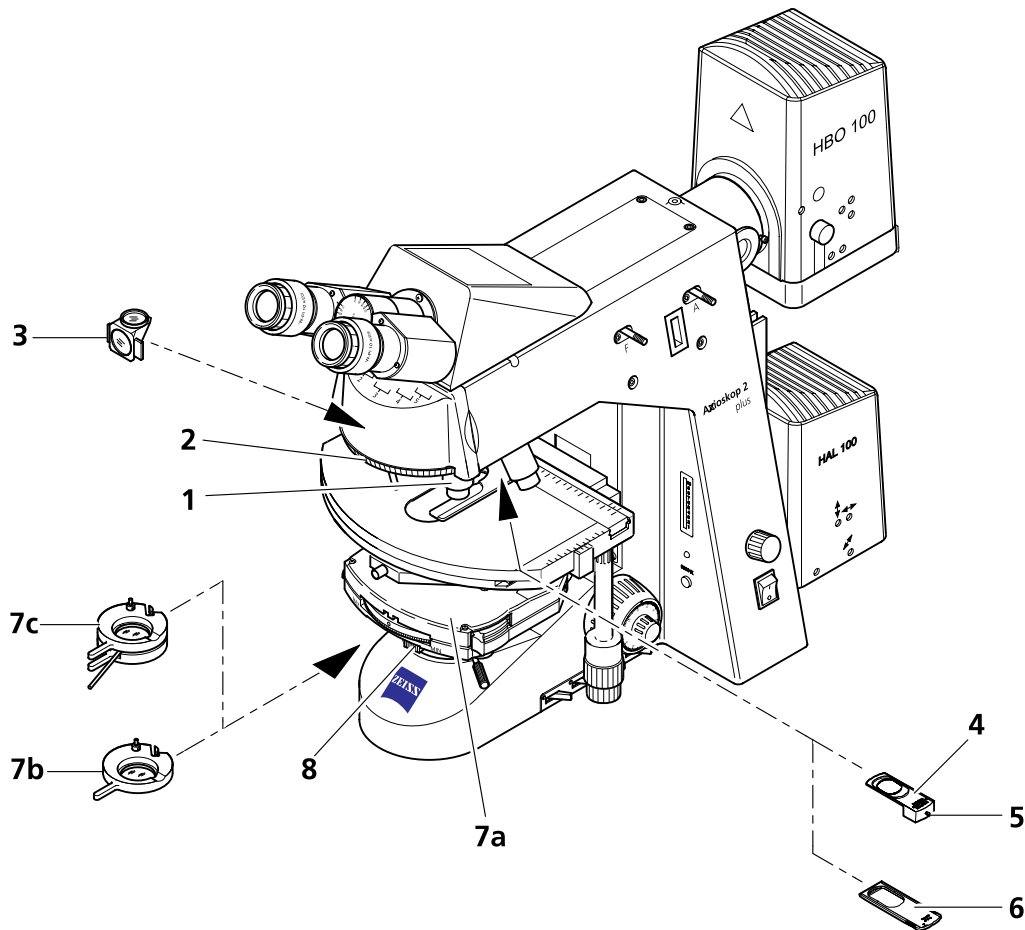
(3) Setting of transmitted-light DIC on Axioskop 2 *plus* and Axioskop 2 *mot plus*

- Swing in the DIC-suitable objective via the nosepiece (3-26/1). Push the relevant DIC slider (3-26/3) in the compartment on the nosepiece until it click-stops.
- Swing in the DIC analyzer module (3-26/3) on the reflector turret (3-26/2).
- Swing in the suitable DIC prism I, II or III (digit on condenser turret disk). Nothing else is to be done if this is the condenser with integrated polarization filter. In case of the version without polarization filter, the D polarizer (3-26/7b) or the SENARMONT polarizer (3-26/7c) must also be swung in.

- Bring SENARMONT polarizer (3-26/7c), consisting of carrier with $\lambda/4$ plate (above) and rotary polarizer (below), in click-stop position below the condenser, unless polarization filters are integrated.
- Set luminous-field diaphragm and aperture diaphragm (3-26/8) in accordance with the KÖHLER rules.
- Use knurled screw (3-26/5) on the DIC slider (3-26/4) to set optimum contrast. When the DIC slider is moved symmetrically around its center position, specimen details can be imaged in such a way that they appear in three dimensions.
- In SENARMONT DIC, the optimum contrast is set by turning the polarizer via the lever in the lower part of the SENARMONT polarizer (3-26/7c). The $\lambda/4$ -plate above it must always be switched on for SENARMONT contrasting to function. If the DIC slider was moved to the center position before, there will be darkness in the stop position of the SENARMONT-polarizer, i.e. the path difference amounts to 0 nm in this position.
- If required, the compensator λ (3-26/6) can be inserted in the compartment for compensators above the nosepiece to produce colored DIC contrast.



Because of its use of polarized light, the DIC-technique is impaired if birefringent components, e.g. foils sometimes used with histological sections, are positioned between polarizer and analyzer. The same applies to Plexiglas culture chambers if the chamber is made of plastic. In such cases, it is recommended to use chambers with glass bottoms to avoid the loss of optical performance.



- | | | | |
|---|------------------------|----|---|
| 1 | Objective in nosepiece | 7a | DIC prism with polarization foil
in the condenser or |
| 2 | Reflector turret | 7b | D polarizer |
| 3 | Analyzer module | 7c | SENARMONT polarizer |
| 4 | DIC slider | 8 | Sliding knob for aperture
diaphragm |
| 5 | Knurled screw | | |
| 6 | compensator λ | | |

Fig. 3-26 Components for the transmitted-light DIC technique on the Axioskop 2 *plus*

3.3.6 Setting of epi-fluorescence


(1) General principle

The epi-fluorescence technique permits high contrast images of fluorescent substances in typical fluorescence colors. In the epi-fluorescence microscope, light generated by a high-performance illuminator reaches the excitation filter (band-pass) via a heat protection filter. The filtered, short-wave excitation emission is reflected by a dichroic beam splitter and focused on the specimen via the objective. The specimen absorbs the short-wave emission and then emits the long-wave fluorescence (Stoke's law), which is now gathered by the objective and transmitted by the dichroic beam splitter. Finally, the rays pass a barrier filter (long pass/band pass), which only allows the long-wave emission from the specimen to be transmitted.

Excitation and barrier filters, which are both positioned in the FL P&C reflector module together with the relevant dichroic beam splitter, must be perfectly matched.


(2) Axioskop 2 *plus* and Axioskop 2 *mot plus* configuration

- Recommended objectives: Plan-Neofluar or Fluor (UV-excitation)
- FL P&C reflector module and shutter plate in the reflector turret
- HBO 103 or HBO 50 mercury vapor short-arc lamp for incident-light illumination
- HAL 100 halogen illuminator for transmitted-light illumination

 Before the epi-fluorescence technique is applied, it is absolutely necessary to adjust the mercury vapor short-arc lamp in accordance with section 2.1.11 by using the adjusting aid. If required, re-adjustment must be performed depending on the operation time.

(3) Setting of epi-fluorescence on the Axioskop 2 *plus* and Axioskop 2 *mot plus*

The first epi-fluorescence setting is considerably facilitated if the Plan-Neofluar objective 20x/0.50 and a specimen featuring pronounced fluorescence is used. It is also possible to use demonstration specimens first.

 If the compensator λ (3-26/6) has not been removed from the compartment above the nosepiece after transmitted-light DIC microscopy, it must be taken out before setting epi-fluorescence.

- Switch on the HAL100 halogen illuminator.
- Swing in Plan-Neofluar 20x/0.50 objective.
- Move condenser turret to position H, transmitted-light brightfield (or also phase contrast), and then move to the specimen area to be examined.
- Keep light path in the incident-light illuminator blocked at first using shutter plate on the reflector turret (3-27/1) or the barrier position of the incident-light filter slider (3-27/5).

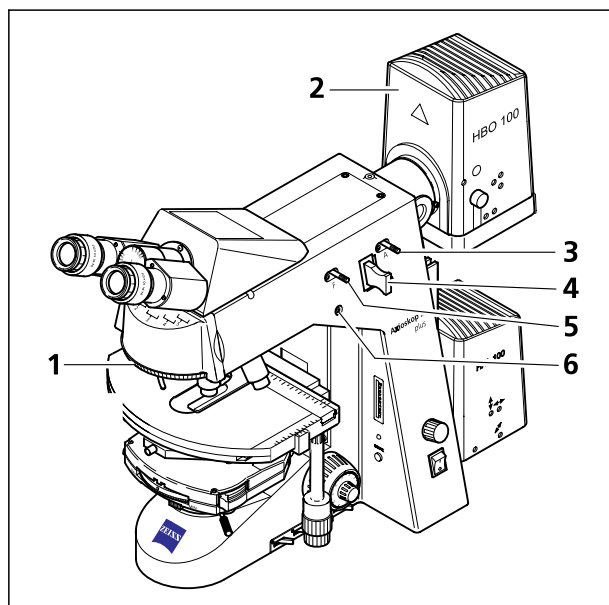


Fig. 3-27 Components for Epi-fluorescence on the Axioskop 2 *plus*

- Switch on the HBO 103 or HBO 50 mercury vapor short-arc lamp (3-27/2) and allow it to heat up to its operation temperature for approx. 15 mins.
 - Select the FL P&C reflector module in reflector turret (3-27/1) containing the required fluorescence filter combination (depending on the excitation) and switch it on.
 - When using the incident-light filter slider (3-27/4), unblock the light path in the incident-light illuminator.
 - Remove one eyepiece from the tube and set the aperture diaphragm (3-27/3) by opening it until the entire objective exit pupil is unblocked.
 - Insert eyepiece in tube again and close luminous-field diaphragm (3-27/5) until it is visible in the field of view.
 - Use the two centering screws (3-27/6) to center the luminous-field diaphragm in relation to the edge of the field of view.
- Either open the luminous-field diaphragm until it just disappears behind the edge of the field of view or, if there is a risk of specimen bleaching, reduce it until it is visible in the field of view.
 - Finally, refocus on the specimen and optimize the HBO 103 collector position as described in section 2.1.11. Set the collector in such a way that homogeneous illumination is obtained with the short-wave excitation reflector module. When modules with long-wave excitation are used, correction of the collector position is not required.


3.4 Documentation


3.4.1 Attachment of photomicrography equipment

The Axioskop 2 plus / Axioskop 2 mot plus equipped with a binocular phototube (3-28/5) can be switched from observation to photomicrography (pushrod pulled out) using the pushrod (3-28/7). The special T2 adapter 2.5x and other T2 adapters permit commercially available 35 mm SLR cameras (SLR - Single Lens Reflex) and special microscope cameras (e.g. MC 200 CHIP from Carl Zeiss) to be attached to the 60 mm interface camera port of the binocular phototube. For use of photomicrography equipment please see the relevant operating instructions.

Attachment of a SLR camera (e.g. CONTAX 167 MT)

- Screw T2 adapter (416010-0000-000, 3-28/3) suitable for the used camera on the 2.5x connector for T2 (456005-0000-000, 3-28/4).
- Attach camera (416181-0000-000, 3-28/2) and, if required, cable release (416167-0000-000, 3-28/1).
- Remove dust cap (3-28/8) from the phototube (3-28/5) and insert premounted unit **A** in the phototube.
- Align unit in the required position and tighten 3 Allen screws (3-28/6).
- When artificial light color reversal film is used, the color temperature key 3200 K (3-1/12) must be pressed. LED lamp 9 (3-1/9) then lights up.

 If focusing is not to be performed through the viewfinder of the camera, a focusing eyepiece with photo reticle MC 2.5x / d = 26 mm (454075-0000-000, see p. 1-15) must be used.

 For detailed information on SLR cameras please see manual G 42-406 II, "35 mm SLR cameras for microscopes and stereomicroscopes".

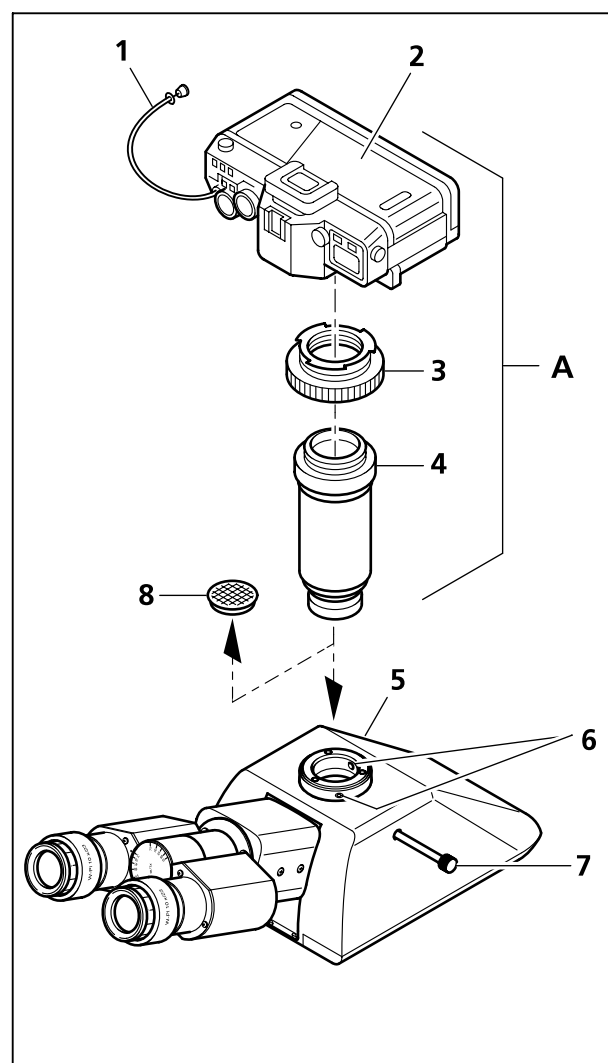


Fig. 3-28 Attachment of SLR camera,
(e.g. Contax 167 MT)








The following T2 adapters are available for SLR cameras:

T2 Adapter for SLR cameras	Cat. No.
T2 Adapter for CONTAX (CONTAX-bayonet)	416010-0000-000
T2 Adapter for OLYMPUS OM (OM-bayonet)	416002-0000-000
T2 Adapter for MINOLTA (SR-bayonet)	416003-0000-000
T2 Adapter for CANON (FD-bayonet)	416004-0000-000
T2 Adapter for NIKON (F-bayonet)	416009-0000-000
T2 Adapter for PENTAX (KA-bayonet)	416011-0000-000


3.4.2 Attachment of videomicroscopy equipment

Due to ICS optics from Carl Zeiss, the completely corrected intermediate image falls directly on the target of the video camera. This permits optimum quality of the image transfer, even if high-resolution video cameras are used.

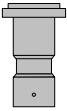
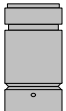
The following video adapters with 60 mm interface permit the connection of 1-chip b/w and color CCD cameras and 3-chip color/high resolution CCD cameras to the phototube of the *Axioskop 2 plus* / *Axioskop 2 mot plus*.

Tube	Adapters			Cameras			
PHOTO-TUBE AXIOSKOP2 PLUS WITH INTERFACE 60 MM		456105-0000-000 60 C 2/3" 1.0X		000000-1069-414 60 C 2/3" 0.63X		456106-0000-000 60 C 1/2" 0.5X	CAMERAS WITH C-MOUNT
		456108-0000-000 60 C 1/3" 0.4X		452989-0000-000 Zoom 44 C 1/3" (3 CCD) 0.35x ... 1.6x To be used with adapter 60-44: 456140-0000-000	3-CHIP- CAMERAS WITH 2/3" BAYONET		
		456115-0000-000 60 ENG 2/3" 1,0X		452992-0000-000 44 ENG 1/2" 0,63X To be used with adapter 60-44: 456140-0000-000		3-CHIP- CAMERAS WITH 1/2" BAYONET	

The 60 - 44 adapter also allows video adapters with 44 mm interface to be used with the phototube of the Axioskop 2 plus / Axioskop 2 mot plus with 60 mm interface.

Video adapter (Cat. No.)	Suitable for:	Comments
 <p>456140-0000-000 Adapter 60 - 44</p>	<p>Microscopes with 60 mm interface and all video adapters for 44 mm interface.</p>	<p>Connects video adapters for 44 mm interface to microscopes with 60 mm interface.</p>

3.4.3 Attachment of adapter for digital compact cameras

Tube	Adapters		Cameras
<p>PHOTO-TUBE AXIOSKOP 2 PLUS WITH INTERFACE 60 MM</p>	<p>000000-1096-522 D40 M52x0,75 To be used with: 456006-0000-000</p> 	<p>000000-1108-984 44 M52x0,75 To be used with: 456140-0000-000</p> 	<p>COMPACT-DIGITAL-CAMERAS / CAMCORDERS WITH FILTER-THREAD 37/52 MM</p>


3.5 Multi-observation equipment

3.5.1 Attachment of active coobservation equipment for 2 users

The active coobservation equipment is intended for two users and consists of the following:

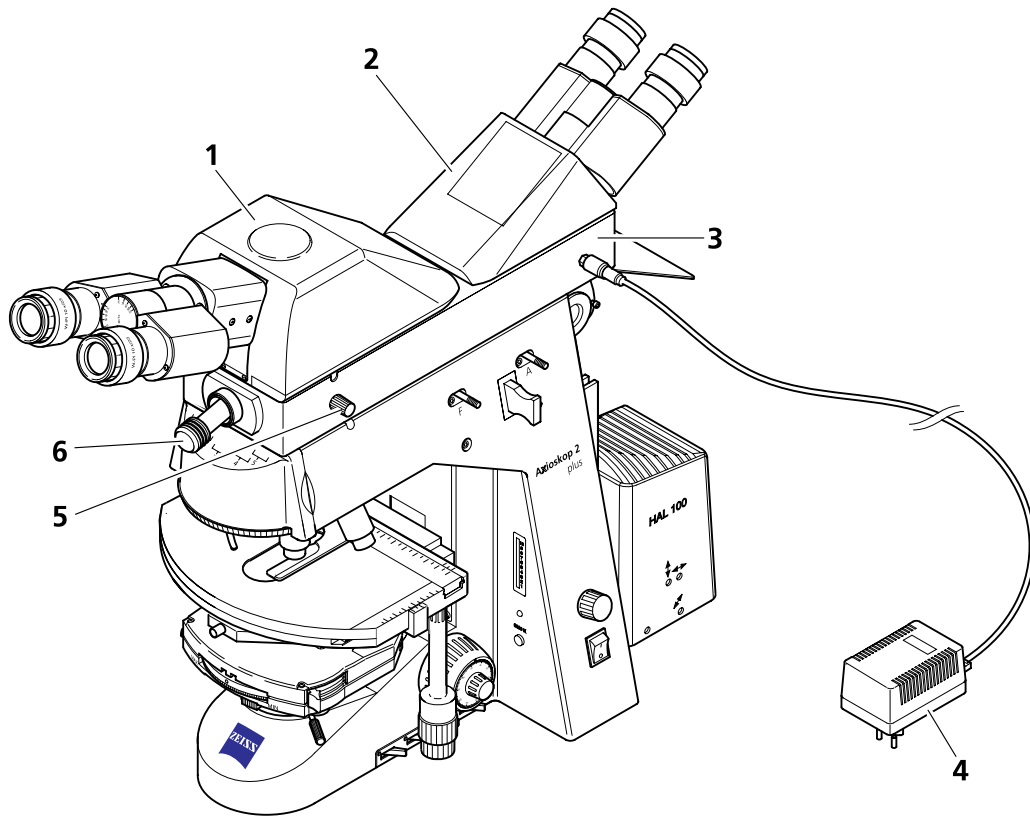
- Basic body (3-29/3) with two mounts for the binocular tubes
- Power unit (3-29/4) 115 V or 230 V for voltage supply of the light pointer
- Attach binocular ergotube 6-25°/23 (3-29/1) or binocular ergo-phototube 6-25°/23 to the front tube mount of the microscope
- Attach binocular tube (3-29/2) or phototube 30°/23 to the rear tube mount of the microscope.

The binocular ergotube 6-25°/23 or phototube provides an upright, unreversed image in the eyepiece.

 For technical reasons, the epi-fluorescence technique cannot be applied in combination with the active coobservation equipment.

Operation of the active coobservation equipment is performed via:

- levers (3-29/6) to position the light pointer in the microscope image, which can be operated by both users in the same way
- knob (3-29/5) to control the brightness of the light pointer



- 1 Binocular ergotube
- 2 Binocular tube
- 3 Basic body
- 4 Power unit
- 5 Knob for brightness control
- 6 Lever for light pointer


Fig. 3-29 Active coobservation equipment for 2 users

3.5.2 Attachment of multi-observation equipment

The multi-observation equipment is designed in such a way that there is no noticeable loss in optical image quality for the maximum of 9 viewing stations. Theoretically, up to 20 users are possible, but this would result in considerable drawbacks in image brightness and quality.

The multi-observation equipment consists of the following:

- Basic body (3-30/2) and two connection tubes for further viewing stations
- Binocular tube / phototube 30°/23 (3-30/4, 452340 / 452341-0000-000) for upright and unreversed images
- Power unit (3-30/9) 115 V or 230 V for voltage supply of the light pointer
- Connecting piece R (3-30/11, right) and connecting piece L (3-30/5, left)
- End connector R (3-30/10, right) and end connector L (3-30/8, left)
- Binocular tubes 30°/23 for further viewing stations (3-30/6 and 7, 452927-0000-000)

 We would recommend you to have the multi-observation equipment assembled by Carl Zeiss service staff, since careful optical adjustment and centering of the fields of view of the various observation tubes is required. Should you want to perform assembly yourself, see section 2.2.17, "Attachment of multi-observation equipment".

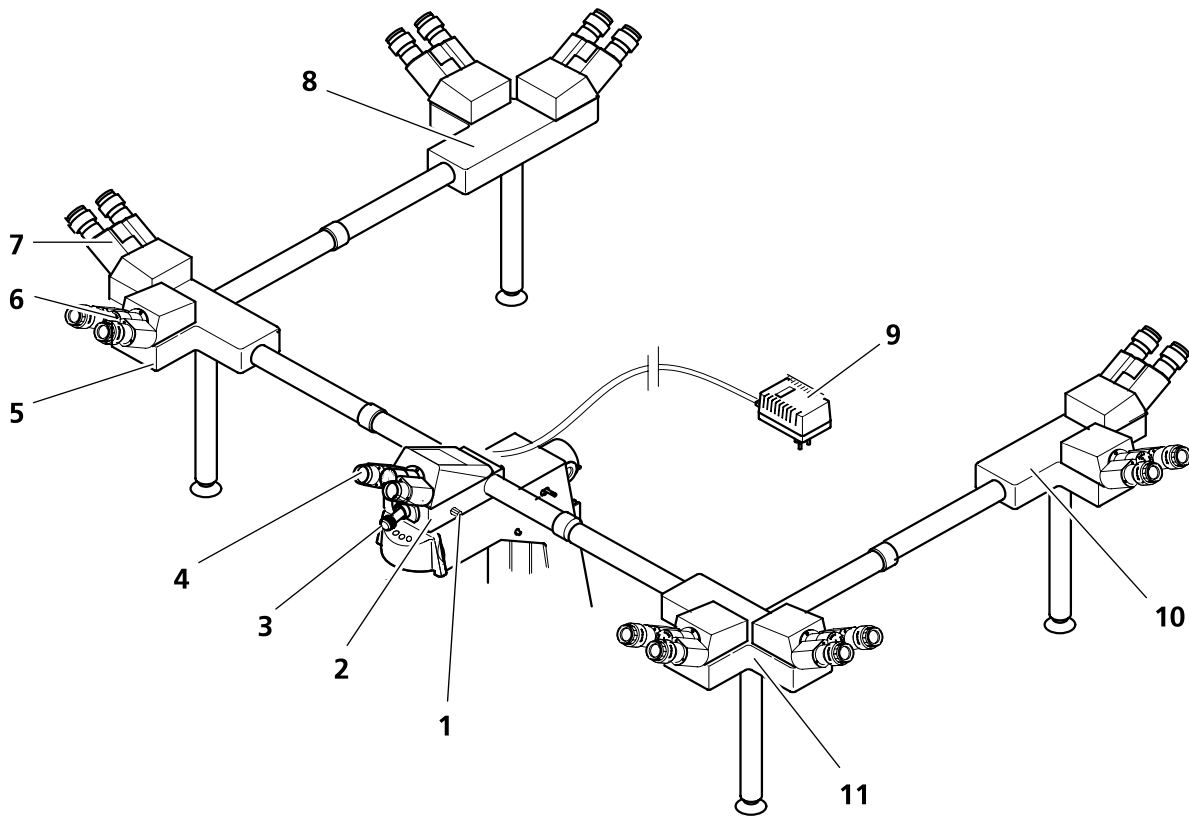
The multi-observation equipment is operated via:

- lever (3-30/3) to position the light pointer in the microscope image
- knob (3-30/1) to control the brightness of the light pointer

The coobservation tubes can be rotated towards one another and clamped in position in the dovetail mount to achieve as convenient a viewing position as possible. The 90° arrangement is not binding.

The focus can be corrected via the diopter setting of the foc. eyepieces both on the tube of the Axioskop 2 *plus* and on all the other coobservation tubes.

 Positioning of the light pointer and its brightness control can be performed on the microscope.



- | | | | |
|---|-----------------------------|----|--------------------|
| 1 | Knob for brightness control | 7 | Coobservation tube |
| 2 | Basic body | 8 | End connector L |
| 3 | Lever for light pointer | 9 | Power unit |
| 4 | Binocular tube | 10 | End connector R |
| 5 | Connecting piece L | 11 | Connecting piece R |
| 6 | Coobservation tube | | |

Fig. 3-30 Attachment of multi-observation equipment

3.6 Drawing device

3.6.1 Intermediate tube for image projection, switchable

The intermediate tube for image projection (3-31/1) can also be attached to the new Axioskop 2 *plus* / Axioskop 2 *mot plus* routine microscopes via adapter (3-31/2).

The intermediate tube for image projection projects reference material positioned beside the microscope into the intermediate image of the microscope. This enables the user to copy microscope specimens by drawing.

Furthermore, transparent references, e.g. grain-size plates, reference scales for photomicrography or other self-made patterns with bright lines on a dark background, can be laid on a light box and projected into the microscope image.

On account of its good imaging performance, the intermediate tube can also be combined with a microscope camera, e.g. MC 200 CHIP from Carl Zeiss, and used for macrophotography. This requires the transmitted light to be switched off.

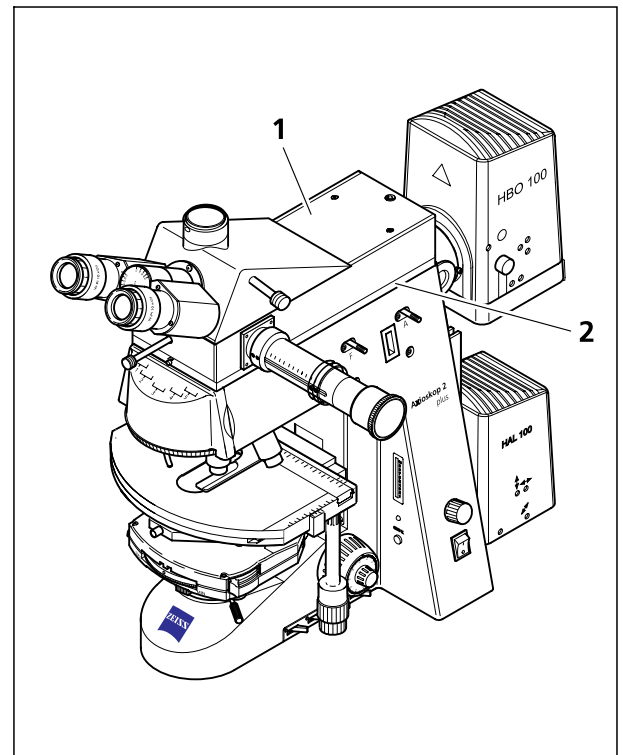


Fig. 3-31 Attachment of intermediate tube for image projection from the Axioplan 2 line

3.7 Quantitative microscopy

3.7.1 Measurement of lengths

The measurement of lengths using the *Axioskop 2 plus* / *Axioskop 2 mot plus* requires the following, for example:


- stage micrometer, positive 5 + 100/100 y, D = 0.17 mm as the object
- eyepiece crossline micrometer 10:100, d = 26 mm in the eyepiece

An overview of available stage micrometers and eyepiece reticles is given in section 1.7.

Before length measurement using the microscope can be performed, the micrometer or scale value of the objective / eyepiece reticle combination must be determined. This scale value is exactly that distance in the specimen which complies to one interval of the used crossline micrometer.

For calibration, align the scales of the stage micrometer and the crossline micrometer parallel to each other by turning the eyepiece, and make the zero line of both scales exactly congruent. If, for example, 99 increments (of 10 µm each) of the stage micrometer correspond to exactly 100 increments of the crossline micrometer, as in Fig. 3-32, the resulting scale value k' for the used objective / eyepiece reticle combination (A-Plan 10x/0.25 and crossline micrometer 10:100) is

$$k' = \frac{99}{100} \times 10 \mu\text{m} = 9.9 \mu\text{m}$$

-  The distance to be measured should be ≥ 5 mm in the eyepiece field to keep the influence of random measuring deviations as low as possible. Other measuring errors can occur if the eyepiece has not been inserted into the tube until stop.

After exchange of the stage micrometer for the specimen to be measured, the measuring distance of interest results from the number of increments of the crossline micrometer (tenth estimated), multiplied by the scale value k' . Example:

$$L = 35.5 \times 9.9 \mu\text{m} = 351.5 \mu\text{m}$$

Particularly large object structures can also be determined by using the vernier scale gradations (0.1 mm) on the mechanical stage. Here, it might be necessary to determine the distance to be measured through calculation from a combined x and y measurement (Pythagoras).

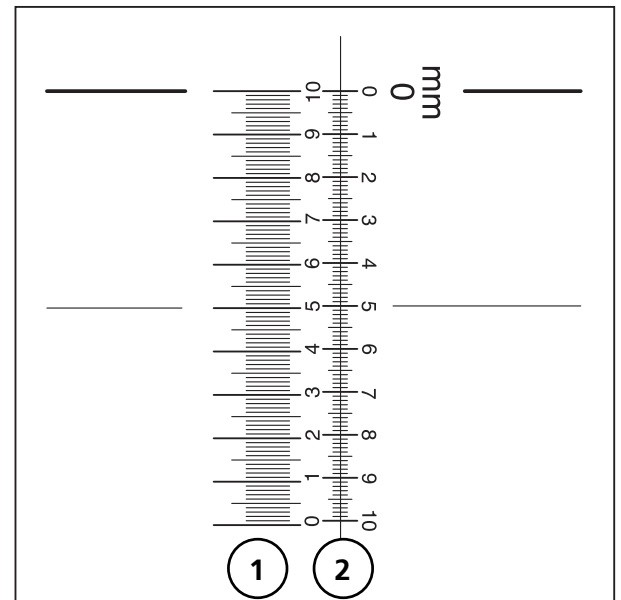


Fig. 3-32 Length measurement using scale 1 on the stage micrometer (object) and scale 2 on the crossline micrometer (eyepiece)

3.7.2 Height measurement

Height measurements using the microscope are always possible to be performed if both the lower and upper side of the specimen can be focused. This should preferably be performed using a precision (Harmonic-Drive-) focusing drive and a high-aperture objective with a low depth of focus.

The difference in the stage height results in a height value for transmitted-light specimens which is falsified by the refractive index of the specimen (through which focusing was made) and perhaps by the immersion oil. The correct height value d of the specimen measured in transmitted light results from the difference in the stage height (focus difference) d' and the refractive indices n_P of the specimen and n_M of the medium between cover slip and specimen:

$$d = d' \times \frac{n_P}{n_M}$$

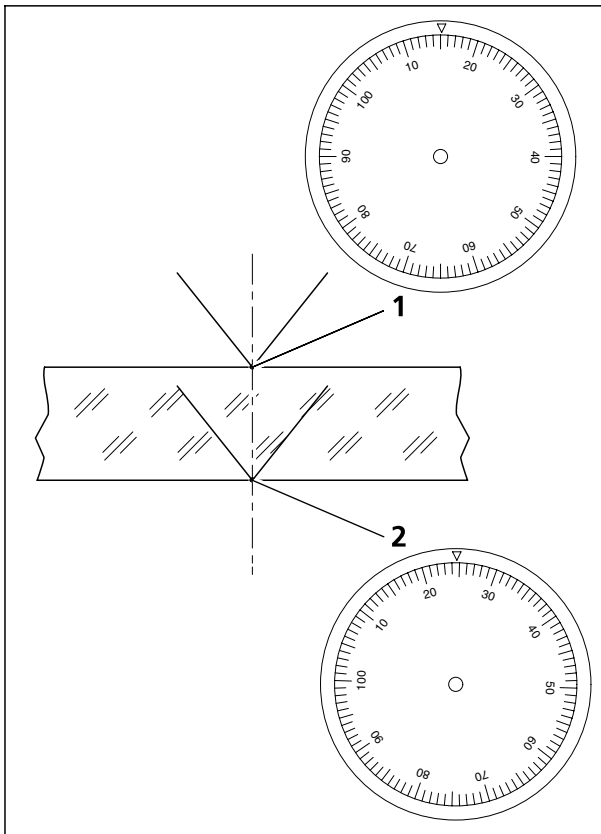


Fig. 3-33 Height measurement

Example:

Upper (3-33/1) and lower side (3-33/2) of a thin section were focused using a dry objective ($n_M = 1.0$).

The indicated intervals of the mechanical fine drive are 15.0 and 24.5, which means that $d' = 9.5 \mu\text{m}$ with an interval of $1 \mu\text{m}$.

The refractive index of the specimen area n_P has been assumed as $n_P = 1.5$. Therefore, the thin section height is:

$$d = d' \times \frac{n_P}{n_M} = 9.5 \mu\text{m} \times \frac{1.5}{1} = 14.25 \mu\text{m}$$

CARE, MAINTENANCE, TROUBLESHOOTING AND SERVICE

Contents

4	CARE, MAINTENANCE, TROUBLESHOOTING AND SERVICE	4-2
4.1	Instrument care.....	4-2
4.2	Instrument maintenance.....	4-3
4.2.1	Performing checks.....	4-3
4.2.2	Changing the fuses.....	4-3
4.3	Troubleshooting.....	4-4
4.4	Spares, consumables and tools.....	4-8
4.5	Requesting service.....	4-9

List of illustrations

Fig. 4-1	Changing the fuses.....	4-3
----------	-------------------------	-----

4 CARE, MAINTENANCE, TROUBLESHOOTING AND SERVICE

4.1 Instrument care

Care of the Axioskop 2 *plus* / Axioskop 2 *mot plus* is limited to the following operations:

- Switch off the instrument after every use and place instrument cover on it to protect it from dust and humidity.
- Never expose the instrument to inadmissible climatic conditions (high humidity and temperature).

The best way to remove stubborn dirt on glass surfaces, e.g. finger prints or traces of grease and immersion oil, is the use of a piece of cotton wrapped around a wooden stick and a small amount of distilled water or a non-aggressive solution.

- distilled water: clean glass surface using a slightly moistened wad of cotton by moving in circles starting in the middle.
- Optics cleaning solution, consisting of 15 % isopropanol and 85 % medical alcohol (benzoline): clean glass surface using a slightly moistened wad of cotton by moving in circles starting in the middle.
- Remove dust from optical surfaces using a natural hair brush or an air blower.

When using the microscope in humid climatic zones, proceed as follows:

- Store instrument in bright, dry and well-ventilated rooms with a humidity of less than 75 %: optical components and accessories which are particularly susceptible to the growth of fungus, e.g. objectives and eyepieces, should be stored in a dry closet.
- When the equipment is stored in closed cases for a longer period of time, the growth of fungus can be avoided by including cloths soaked in fungicide in the cases.

The risk of growth of fungus on opto-mechanical instruments always exists in the following conditions:

- Relative humidity of more than 75 % and temperatures between +15 °C and +35 °C for more than three days.
- Installation in dark rooms without air ventilation.
- Dust deposits and fingerprints on optical surfaces.

4.2 Instrument maintenance

4.2.1 Performing checks

- Make sure that the instrument(s) comply with the required line voltage (e.g. the HBO 100 transformer).
- Check line cable and plug for defects.
- If any damage is visible, switch off the instrument. Have instrument repaired only by an expert.
- Make sure that the maximum operation time of the halogen and mercury vapor short-arc lamps is not exceeded.

4.2.2 Changing the fuses



Always pull the power plug before changing the fuses.

The fuse compartment is positioned at the microscope rear. It is combined with the instrument socket and contains two **T4 A/H 250 V** fuses.

- Disconnect the instrument from the line.
- Pull out the fuse holder (4-1/1) from the front. Use a small screwdriver if necessary.
- Remove fuses from the holder and insert new fuses.
- Push the fuse holder (4-1/2) into the fuse compartment (4-1/2) to the stop.
- Connect the instrument to the line.

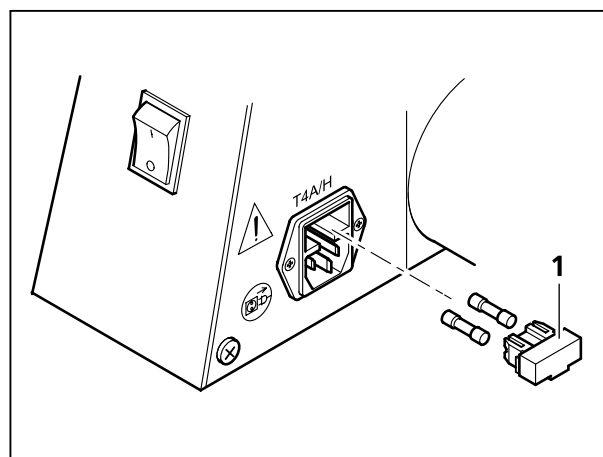


Fig. 4-1 Changing the fuses

4.3 Troubleshooting

Problem	Cause	Remedy
Shadows or inhomogeneous image brightness in the field of view; the field is not entirely visible.	The vis/fot pushrod on the camera tube is not in the correct (intermediate) position.	Move the vis/fot pushrod on the phototube in the correct position (end position), see page 3-15.
	Nosepiece with objective not in click-stop position.	Switch nosepiece with objective in click-stop position.
	Condenser not set correctly.	Set condenser correctly (adjustment, centering), see p. 3-24 ff.
	Aperture diaphragm not set correctly.	Set aperture diaphragm correctly (centering, opening), see p. 3-24 ff.
	Luminous-field diaphragm not set correctly.	Set luminous-field diaphragm correctly (centering, opening), see p. 3-24 ff.
	Filter not inserted correctly in filter mount.	Insert filter correctly in filter mount.

Problem	Cause	Remedy
Low resolving power and poor image contrast.	Aperture diaphragm opening not set correctly.	Set aperture diaphragm opening in accordance with the 2/3 rule or depending on the specimen features, see p. 3-24 ff.
	Condenser not focused correctly and condenser lens 0.9 not switched correctly.	Focus condenser and switch condenser lens 0.9 on or off correctly, see p. 3-24 ff.
	Wrong cover slip thickness for transmitted-light objectives with cover slip thickness 0.17 mm.	Use standardized cover slips with thickness 0.17 mm.
	Use of no or unspecified immersion oil with immersion objectives.	Use immersion oil 518 N from Carl Zeiss, see p. 4-8.
	Air bubbles in the immersion oil.	Apply new oil to remove the bubbles.
	Immersion oil at the front lens of a dry objective.	Clean the front lens of the dry objective, see p. 4-2.
	Corr. ring is not set to the correct cover slip thickness.	Set the corr. ring to the correct thickness, see p. 1-12.
	Dirt or dust on the optical surfaces of objectives, eyepieces, condensers or filters.	Clean the appropriate optical components, see p. 4-2.
Asymmetrically blurred images, e.g. one side in focus, one side not in focus.	Condenser not set correctly.	Set condenser correctly, see p. 3-24 ff.
	Nosepiece not in click-stop position.	Correctly click-stop nosepiece.
	Specimen is not clamped in position on the mechanical stage.	Correctly insert specimen in specimen holder and clamp it.

Problem	Cause	Remedy
Great focus differences after objective change.	Focusing eyepieces are not set correctly.	Set focusing eyepieces to the appropriate ametropia, s. p. 2-5.
	Objective not screwed in until stop.	Screw in objective until stop.
	Tube lens either not integrated or integrated superfluously.	Integrate tube lens or remove superfluous tube lens.
Left and right fields of view cannot be combined into an image.	Interpupillary distance of the binocular tube is not set correctly.	Set interpupillary distance correctly, see p. 2-6.
	Focusing eyepieces are not set correctly.	Set focusing eyepieces to the appropriate ametropia, s. p. 2-5.
Eye-fatiguing microscopy.	Interpupillary distance of the binocular tube is not set correctly.	Set interpupillary distance correctly, see p. 2-6.
	Focusing eyepieces are not set correctly.	Set focusing eyepieces to the appropriate ametropia, s. p. 2-5.
	Image brightness not acceptable.	Adjust lamp voltage or insert conversion filter.
	Binocular tube optically / mechanically out of alignment.	Check / repair by microscopy service.
Dirt or dust in the field of view.	Condenser not focused correctly and condenser lens 0.9 not switched correctly.	Focus condenser and switch condenser lens 0.9 on or off correctly, see p. 3-24 ff.
	Aperture diaphragm opening too small.	Set aperture diaphragm opening in accordance with the 2/3 rule or depending on the specimen features, see p. 3-24 ff.
	Dirt or dust on the optical surfaces of objectives, eyepieces, condensers, filters or specimens.	Clean the optical surfaces of the appropriate components, see p. 4-2.

Problem	Cause	Remedy
The 12 V 100 W halogen lamp does not function although the on / off switch is in "on" position.	Line cable not connected to the line.	Connect line cable to the line and make sure to check the instrument and line voltage.
	12 V 100 W halogen lamp not installed.	Attach 12 V 100 W halogen lamp, see p. 2-19.
	12 V 100 W halogen lamp defective.	Replace 12 V 100 W halogen lamp, see p. 2-19.
	The specified 12 V 100 W halogen lamp is not used.	Use the specified 6 V 12 W halogen lamp, see p. 1-6.
	Fuses are defective.	Exchange fuses, see page 4-3.
	Electronics module possibly defective.	Have electronics module checked by service and replaced, if required (see p. 4-9).
The 12 V 100 W halogen lamp of the Axioskop 2 <i>mot plus</i> does not function although the on / off switch is in "on" position.	Nosepiece did not click-stop in the selected position; illumination is switched off in the interim positions of the nosepiece.	Correctly click-stop nosepiece in the required position.
	Reflector turret is in epi-fluorescence positions, where the " transmitted light off " status is stored.	Set the correct reflector turret position or switch on transmitted light illumination using the " transmitted light on / off " key on the left of the stand; see p. 3-10 f.
The 12 V 100 W halogen lamp flickers, unstable brightness.	End of average life of 12 V 100 W halogen lamp.	Replace 12 V 100 W halogen lamp, see p. 2-19.
	Incorrectly installed or broken line cable.	Connect line cable correctly or replace it.
	The pins of the 12 V 100 W halogen lamp are not correctly inserted into the receptacle.	Correctly insert pins of 12 V 100 W halogen lamp in receptacle, see p. 2-19.
Lamp voltage of 12 V / 100 W halogen lamp cannot be regulated for the Axioskop 2 <i>mot plus</i> .	Since control for light intensity is in stop position, the light manager regulates the intensity to the preset or stored value.	Move control shortly out of the stop position to allow the light intensity to be set as usual again.

4.4 Spares, consumables and tools

Description	Cat. No.	Application
12 V 100 W halogen lamp	380079-9540-000	for HAL 100 illuminator
HBO 103 W/2 mercury pressure short-arc lamp	380301-9350-000	for HBO 103 illuminator
SW 3 ball-headed screwdriver	000000-0069-551	to change tubes and illuminators
SW 2.5 ball-headed screwdriver		to change FL P&Clector modules
Eyepiece eyecup	444801-0000-000	recommended for low-brightness techniques to suppress reflected light
Dust cover for nosepiece Dust cover for eyepiece tube	462981-0000-000 000000-0168-373	to close instrument openings which are not used
518 N immersion oil 20 ml oiler 100 ml bottle 250 ml bottle 500 ml bottle	444950-0000-000 444952-0000-000 444953-0000-000 444954-0000-000	for oil immersion applications $n_D = 1.515$
Cleaning paper, 300 sheets	462975-0000-000	to clean optical surfaces
G-fuse inserts (5x20 mm) T 4 A/H 250 V 2x		protects the integrated power unit from excessive load
Dust cover M Dust cover G (only in combination with binocular phototube)	459311-0000-000 459312-0000-000	to cover the instrument after use

4.5 Requesting service

All repairs of mechanical, optical or electronic components inside the instrument and of the electrical components of the *Axioskop 2 plus / Axioskop 2 mot plus* may only be performed by Carl Zeiss service staff or specially **authorized** personnel.

To ensure the optimum setting and trouble-free function of your microscope even for a longer period of time, we would recommend you to conclude a service/maintenance contract with Carl Zeiss.

In the case of subsequent orders or when service is required, please get in touch with your local Zeiss agency.

Further information is available in the Internet under:

micro@zeiss.de

<http://www.zeiss.de>

ANNEX

List of abbreviations.....	A-2
List of key words.....	A-4
Patent rights.....	A-8

List of abbreviations

AC	Alternating Current
A-Plan	Achromatic objectives featuring improved image flatness (ICS line)
Br.	suitable for eyeglass wearers
CCD	Charge Couple Device
cod.	coded
CSA	Canadian Standards Association
D	cover slip thickness
D	darkfield
d	diameter (e.g. of filters)
d	height value (height measurement)
d'	difference of stage height setting (focus difference in height measurement)
DC	Direct Current
DIC	Differential Interference Contrast
DIN	Deutsches Institut für Normung (German standards association)
DL	transmitted light
DX	coding system for the storage of electronically legible information (e.g. film speed)
EG	European Community
EN	European standards
EMV	electromagnetic compatibility
ENG	Electronics News Gathering
ERGO	ergonomic
EWG	European Economic Community
FAA	free working distance
FL	fluorescence
foc.	focusing
fot	photography
H	brightfield
HAL	halogen lamp
HBO	mercury vapor short-arc lamp for fluorescence
ICS	Infinity Color-Corrected System

IEC	International Electrotechnical Commission
IP	International Protection (protection class)
ISO	International Organization for Standardization
L	measuring distance (length measurement)
LED	Light Emitting Diode
MC	Microscope Camera
MOT / mot.	motorized
n_M	refractive index of the medium
n_D	refractive index of D-line (sodium)
n_p	refractive index of the specimen
Ph	phase contrast
PL	flatfield
R	right (drive on the right of the mechanical stage)
SLR	Single Lens Reflex
SW	wrench opening
T	slow-blow (fuse type)
TV	television
T2-Adapter	standardized connector for 35 mm cameras
UL	Underwriter Laboratories
UV	ultraviolet
VDE	Verband Deutscher Elektrotechniker (association of German electrotechnicians)
vis	visual
V_{obj}	magnification of the objective
W 0,8"	Whitworth-type thread 0.8"
W-PL	wide-angle eyepiece
XBO	Xenon short-arc lamp

List of key words

	Page
A	
Adapter	2-27
Adjusting aid	3-6
Ambient conditions	1-16
Ametropia	2-5
Analyzer	3-24, 3-31, 3-35
Analyzer module	3-9, 3-13, 3-32, 3-35
Aperture diaphragm	1-3, 3-6, 3-5, 3-8, 3-12, 3-25, 3-26, 3-40
Automatic mode	3-18, 3-20
B	
Basic settings	3-18
Binocular ergotube	2-4, 3-6, 3-14
Binocular ergo-phototube	3-15
Birefringence	3-31
Brightfield	3-8, 3-20, 3-24, 3-27, 3-29
C	
Changing the fuses	4-3
Coarse	3-5, 3-11, 3-22
Coarse drive	3-7
Color temperature key 3200 K	3-7
Condenser	1-2, 1-3, 2-3, 2-7, 2-15, 3-5, 3-7, 3-20
Condenser carrier	2-7, 2-15, 3-26
Condenser height adjustment	3-9
Consumables	4-8
Conversions	2-15
Coobservation equipment	2-31, 3-45
D	
Darkfield	3-27
D polarizer	2-18
DIC	3-36
DIC prism	2-17
Differential interference contrast	3-36
Diffusion disk	3-7
Digital compact cameras	3-44
Dimensions	1-16
Documentation	3-41
Drawing device	3-49

	Page
E	
Epi-fluorescence	1-2, 3-39
Ergo-drive	2-24
Eyepiece reticle	2-5
Eyepieces	2-3, 2-4, 2-5, 2-10, 3-6
F	
Fast stage lifting	3-11, 3-14
Fast stage lowering	3-11, 3-13, 3-22
Filter	3-5, 3-7, 3-9, 3-16
Filter mount	2-3, 2-17, 3-16, 3-30
Filter slider	3-6, 3-16, 3-39
Filter wheel	1-3
Fine drive	3-7
Fluorescence	1-3
FL excitation filter wheel	3-11
FL P&C reflector module	2-29
Fluorescence	3-39
Focus positions	1-3, 3-21, 3-26
Focusing drive	3-5, 3-9, 3-11, 3-13, 3-26
Focusing drive	3-7
Front lens	1-3, 2-7, 2-15, 3-8, 3-12, 3-24, 3-26
Function modes	3-18, 3-19
G	
Gear switchover	3-11, 3-13
H	
Halogen illuminator	2-9, 3-6, 3-11
Halogen lamp	2-19
Harmonic Drive™	1-3
HBO 103 illuminator	2-10
Height measurement	3-51
Height stop on condenser	3-26
I	
Illumination and contrasting techniques	3-24
Incident light	1-3, 3-5, 3-6, 3-9, 3-13, 3-16, 3-39
Incident-light illuminator	3-40
Installation	2-3
Instrument care	4-2
Instrument maintenance	4-3
Intermediate tube	2-26, 2-33, 2-35
Intermediate tube for image projection, switchable	3-49

	Page
I	
Intermediate tube with height adjustment	3-17
Interpupillary distance	2-6
K	
KÖHLER	3-9, 3-24, 3-37
L	
Lamp voltage	3-6, 3-11
Light intensity	3-6, 3-11
Light manager function	3-20
Light sources	1-17
Line connection	2-8
Line voltage	1-17
Luminous-field diaphragm	3-5, 3-6, 3-9, 3-25, 3-30, 3-40
M	
Maintenance	4-3
Manual mode	3-18, 3-21
Measurement of lengths	3-50
Mechanical stage	2-3, 2-22, 2-25, 3-5, 3-7, 3-8
Mercury vapor short-arc lamp	2-11, 3-40
Modules	1-4, 1-8
Multi-observation equipment	2-33, 3-45, 3-47
N	
Nosepiece	2-6, 3-5, 3-9, 3-11, 3-12, 3-20, 3-22, 3-25
O	
Objectives	2-6, 2-3, 2-23
Objective nosepiece	1-3
Objective nosepiece	1-18
On / off switch	3-9
Operation	1-16
Operation and function controls	3-3, 3-10
P	
Parfocality	3-21
Performing checks	4-3
Phase contrast	3-29
Phase stop	2-16
Photomicrography	3-41
Phototube	3-41, 3-45
Pilot lamp	3-6, 3-11, 3-18, 3-22

	Page
P	
Polarization	3-31
Polarizer	2-18, 3-31
Programming mode	3-18, 3-19, 3-21
Push&Click module	2-28
Q	
Quantitative microscopy	3-50
R	
Reflector turret	1-3, 1-18, 3-9, 3-13, 3-20, 3-22
Remedy	4-4
Requesting service	4-9
S	
SENARMONT polarizer	2-18, 3-31, 3-32, 3-36, 3-37
Set key	3-12, 3-14, 3-19, 3-20, 3-22, 3-23, 3-26
Smoothness	2-24, 2-25, 3-8
Spares	4-8
Specimen holder	2-3, 2-25
Stage carrier	2-15, 2-22, 2-23, 2-7
Stage focusing	1-18, 3-9, 3-13, 3-21, 3-22
Start-up	2-1, 2-3
Switching on	3-18
Switch-on / switch-off	2-8
T	
Technical Data	1-16
Technique modules	2-3, 3-9, 3-13
Torque	2-24
Tools	4-8
Transmitted light	3-9, 3-11, 3-13, 3-20, 3-24, 3-26, 3-27, 3-29, 3-31, 3-35, 3-36
Transmitted-light filter magazine	3-16
Tube	2-4, 2-25, 2-26, 2-27, 2-31, 2-33, 2-35, 3-45
U	
Universal condenser	2-16, 2-17, 3-5, 3-8, 3-12, 3-24, 3-27, 3-29
Unpacking	2-3
V	
Vibration direction	3-32
Videomicroscopy	3-43
W	
Weight	1-16

Patent rights

The instruments, instrument components or methods described in this manual are protected by the following patents:

DE19828548

US6327080

DE29821694

US6392796

US5015082

JP2532164