

Docket No. SA-522

Exhibit No. 9-E

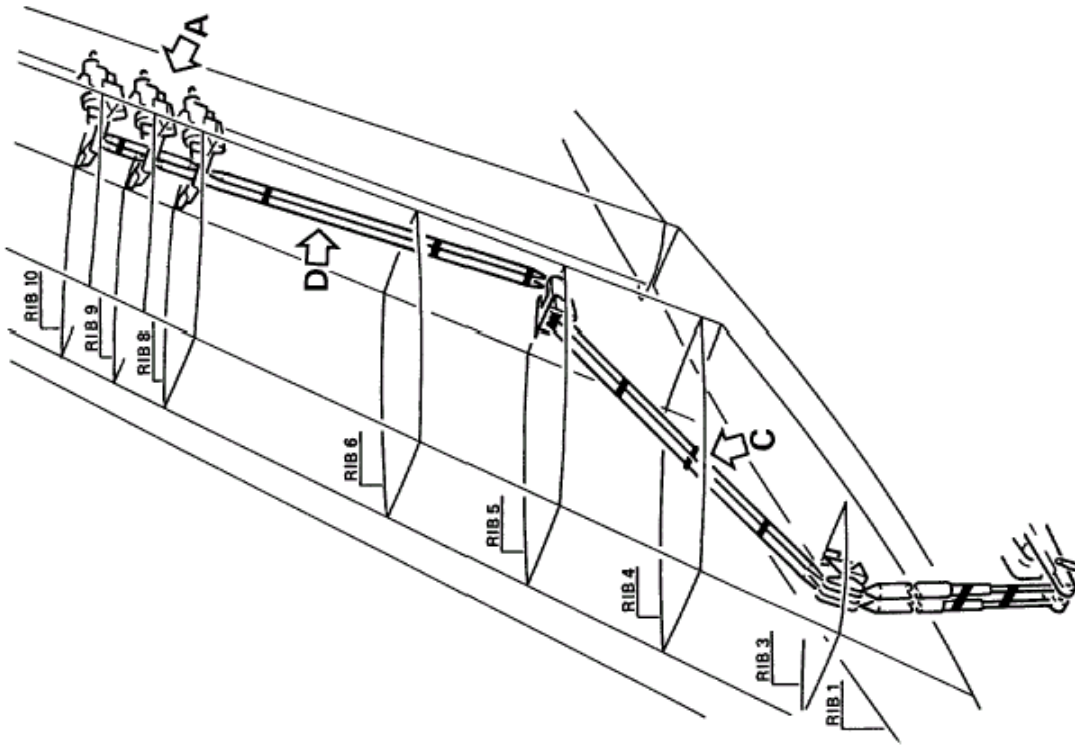
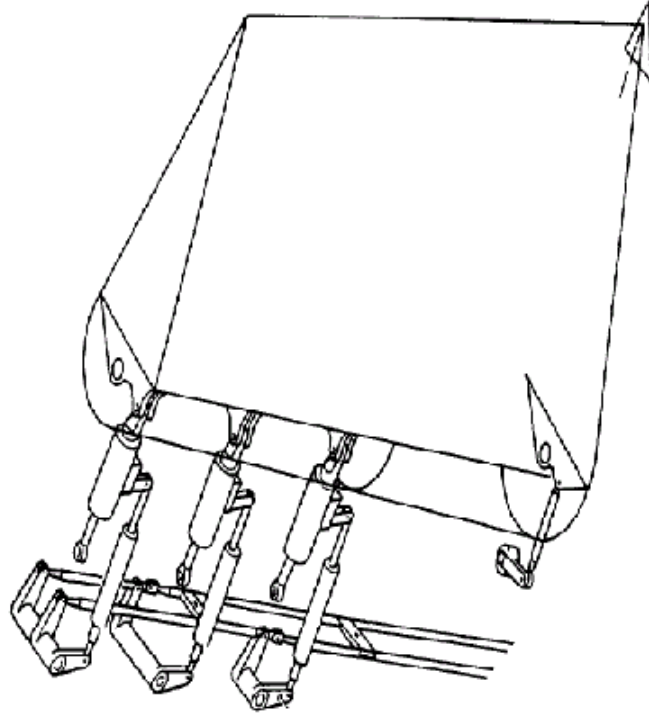
NATIONAL TRANSPORTATION SAFETY BOARD

Washington, D.C.

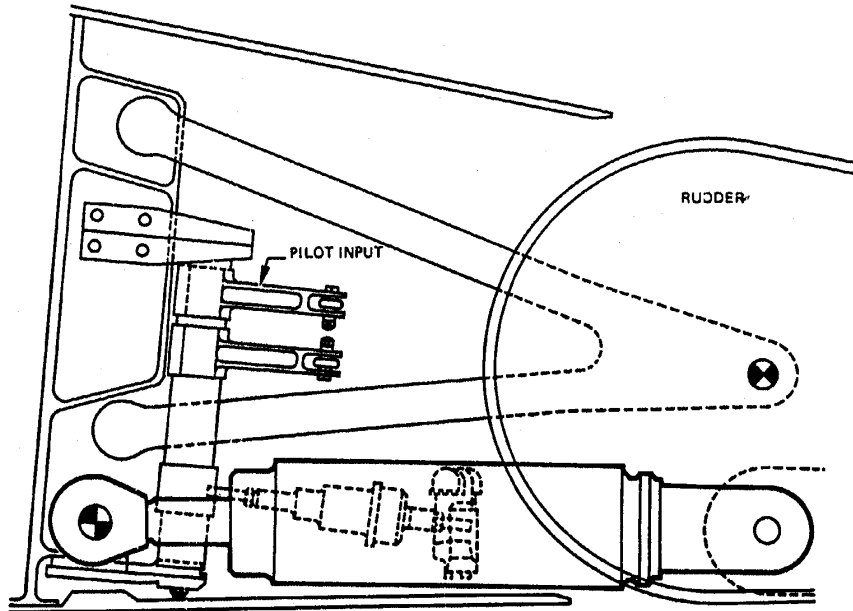
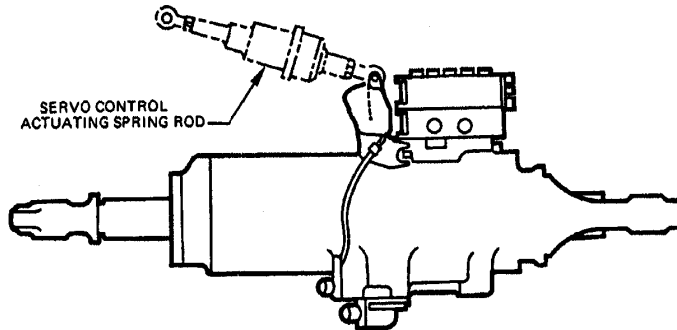
A300-600 Rudder Servo Controls Overview

(5 Pages)

A



A300-600
AIRCRAFT MAINTENANCE MANUAL



BMS 27 24 00 0 AEMO

Rudder Servo Control - Installation
Figure 003

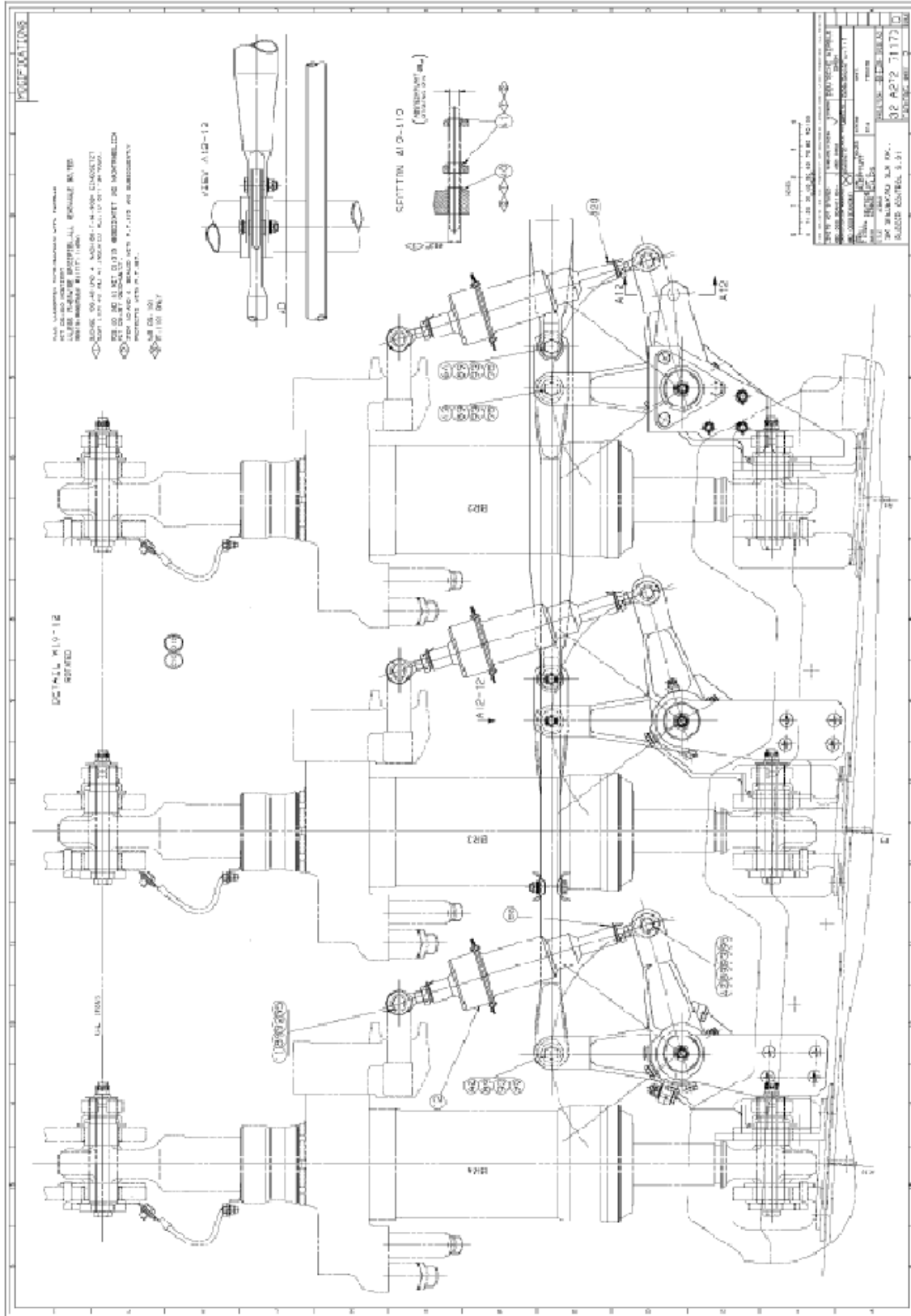
EFFECTIVITY: ALL

AAL

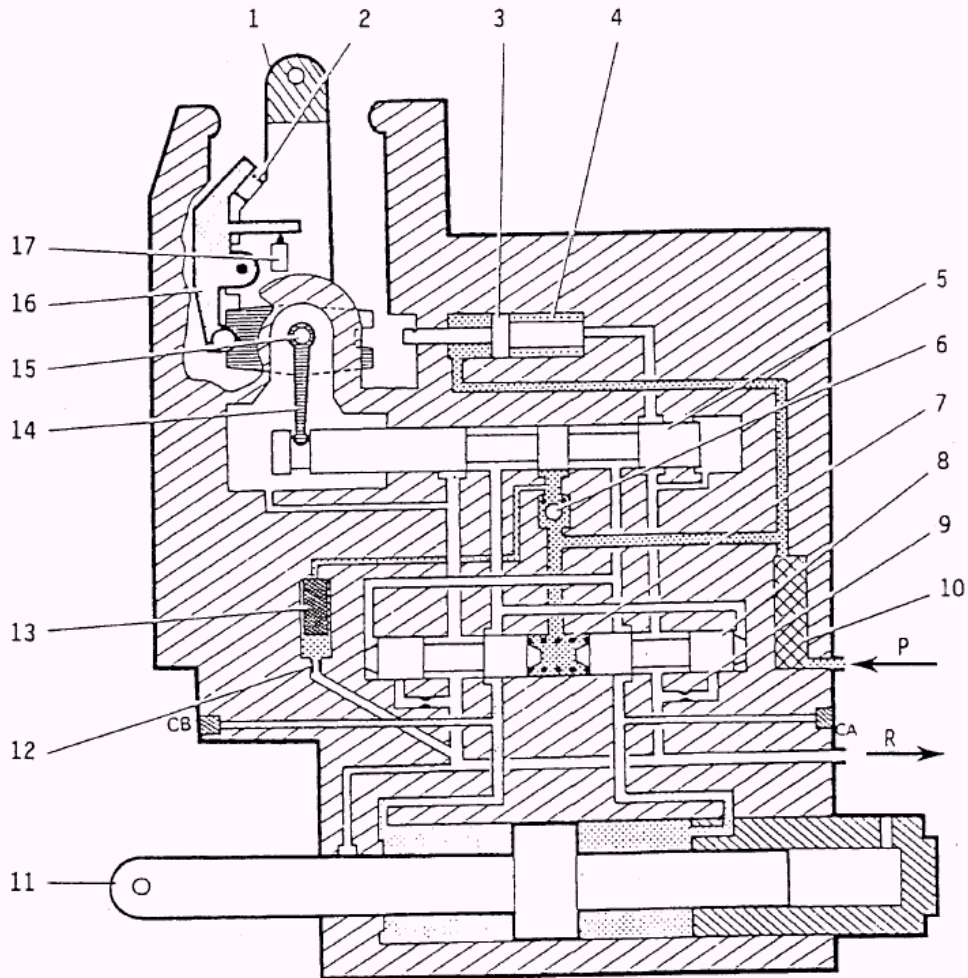
Printed in France

27-24-00

Page 6
Dec 01/89



BRONZAVIA - AIR EQUIPEMENT
 Thomson - Lucas
 COMPONENT MAINTENANCE MANUAL
 31042



Key

- | | | |
|----------------------|---------------------|-------------------------|
| 1 - Input lever | 7 - Spring | 13 - Filter |
| 2 - Spring | 8 - By-pass piston | 14 - Drive pin |
| 3 - Test finger | 9 - Damping orifice | 15 - Drive shaft |
| 4 - Spring | 10 - Filter | 16 - Intermediate lever |
| 5 - Spool valve | 11 - Piston | 17 - Microswitch |
| 6 - Non-return valve | 12 - Jet pipe | |

Functional diagram
 Figure 5

27-21-17

Page 17
 JUN 15/88