

Docket No. SA-522

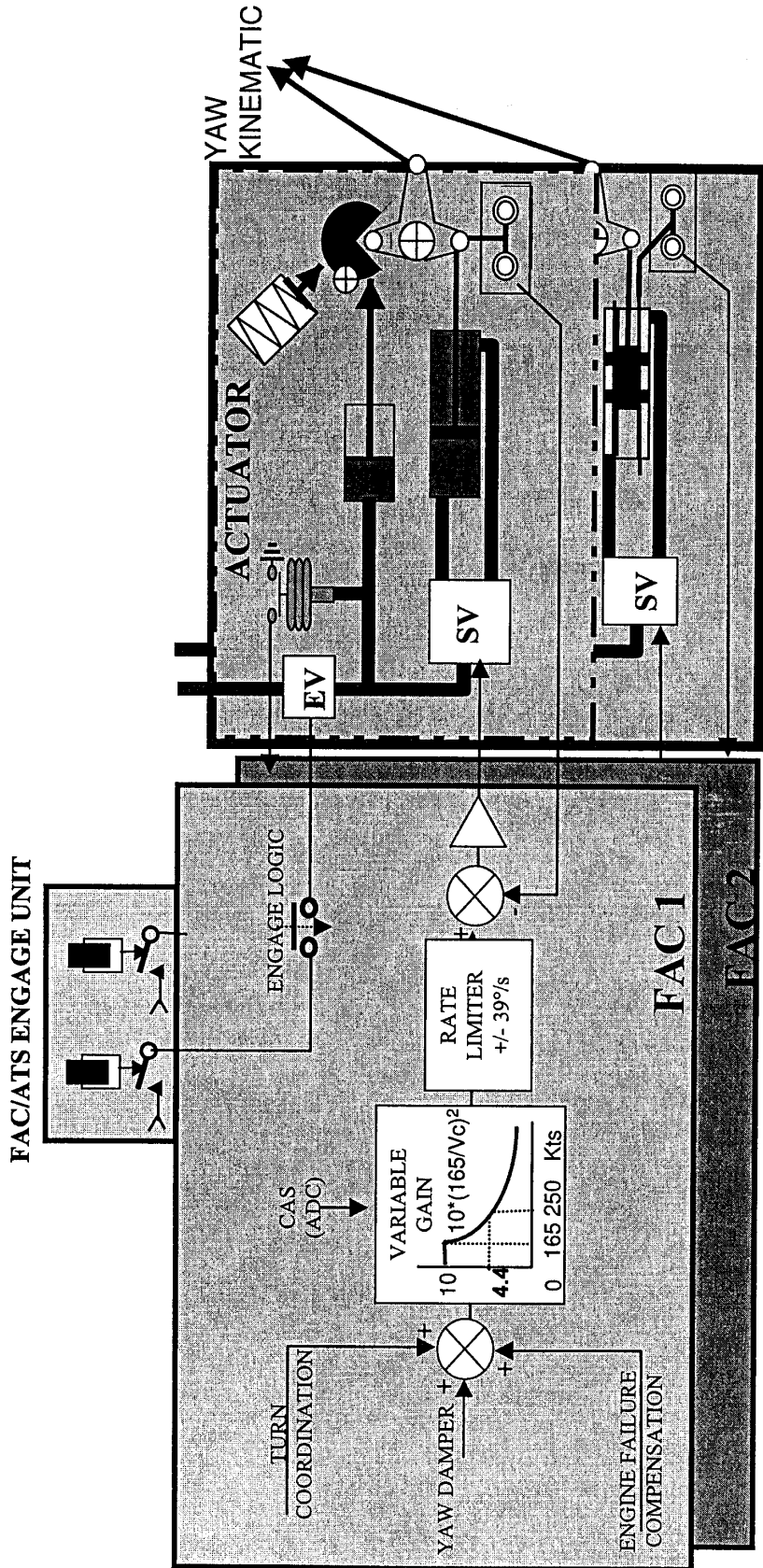
Exhibit No. 9-B

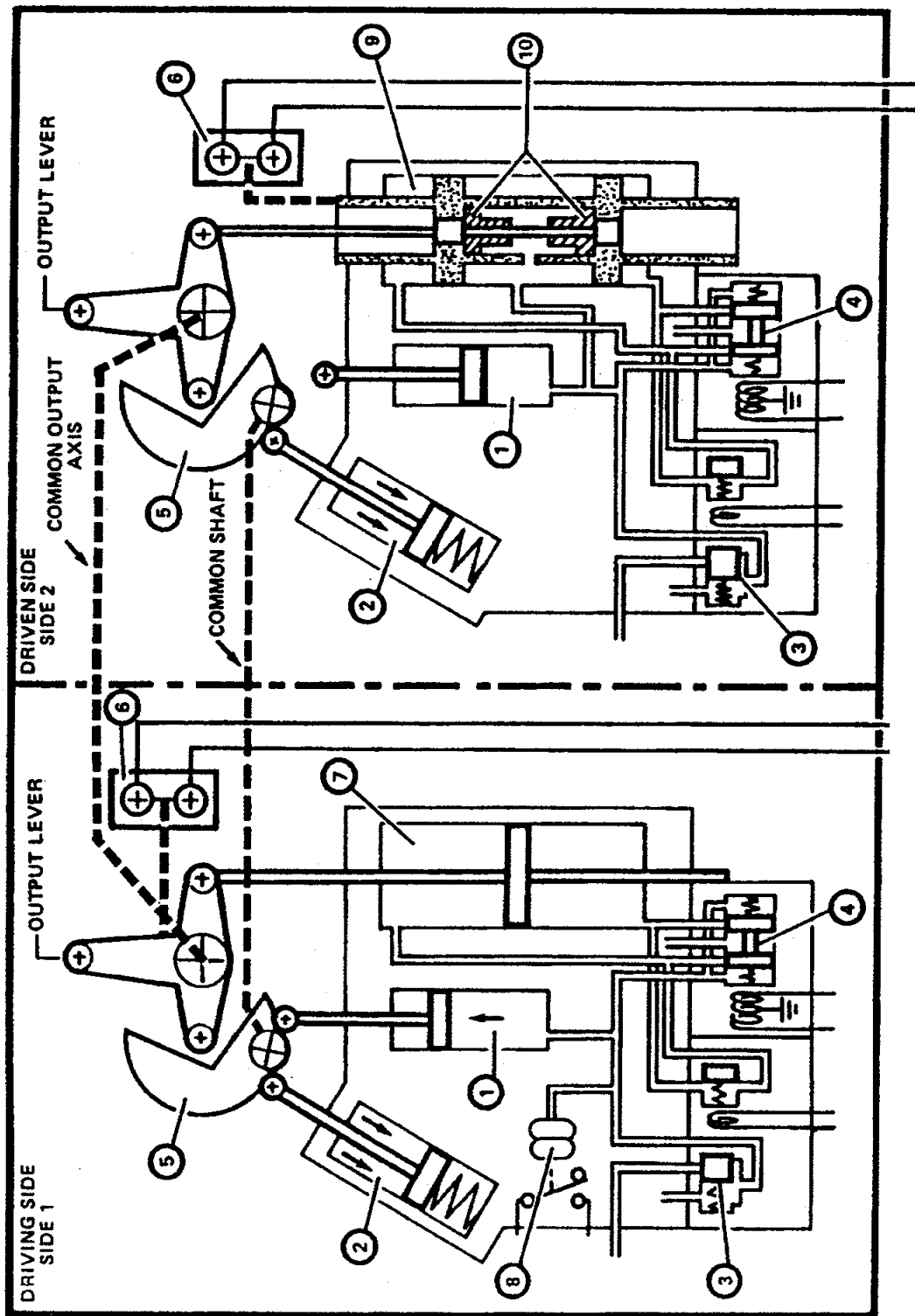
NATIONAL TRANSPORTATION SAFETY BOARD

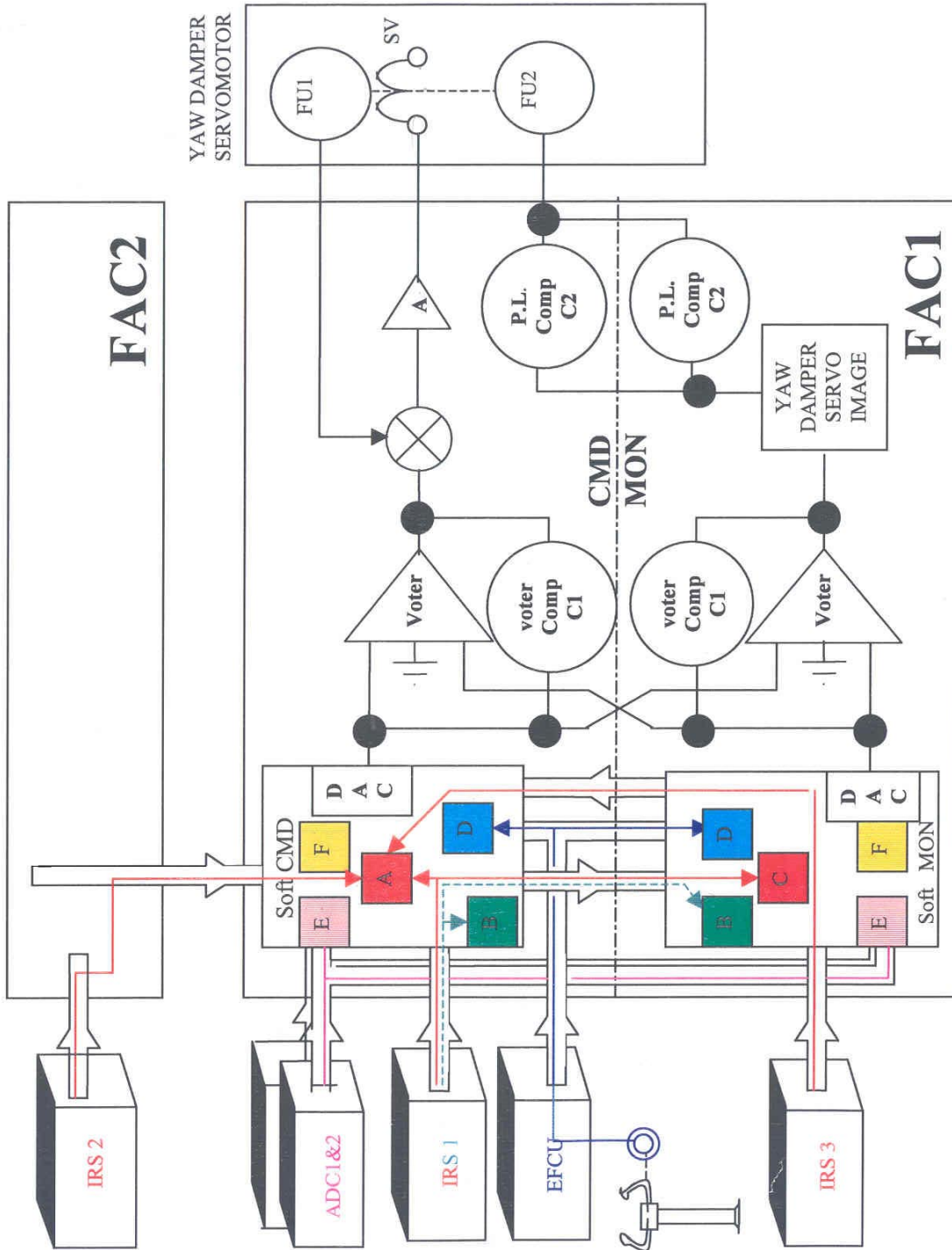
Washington, D.C.

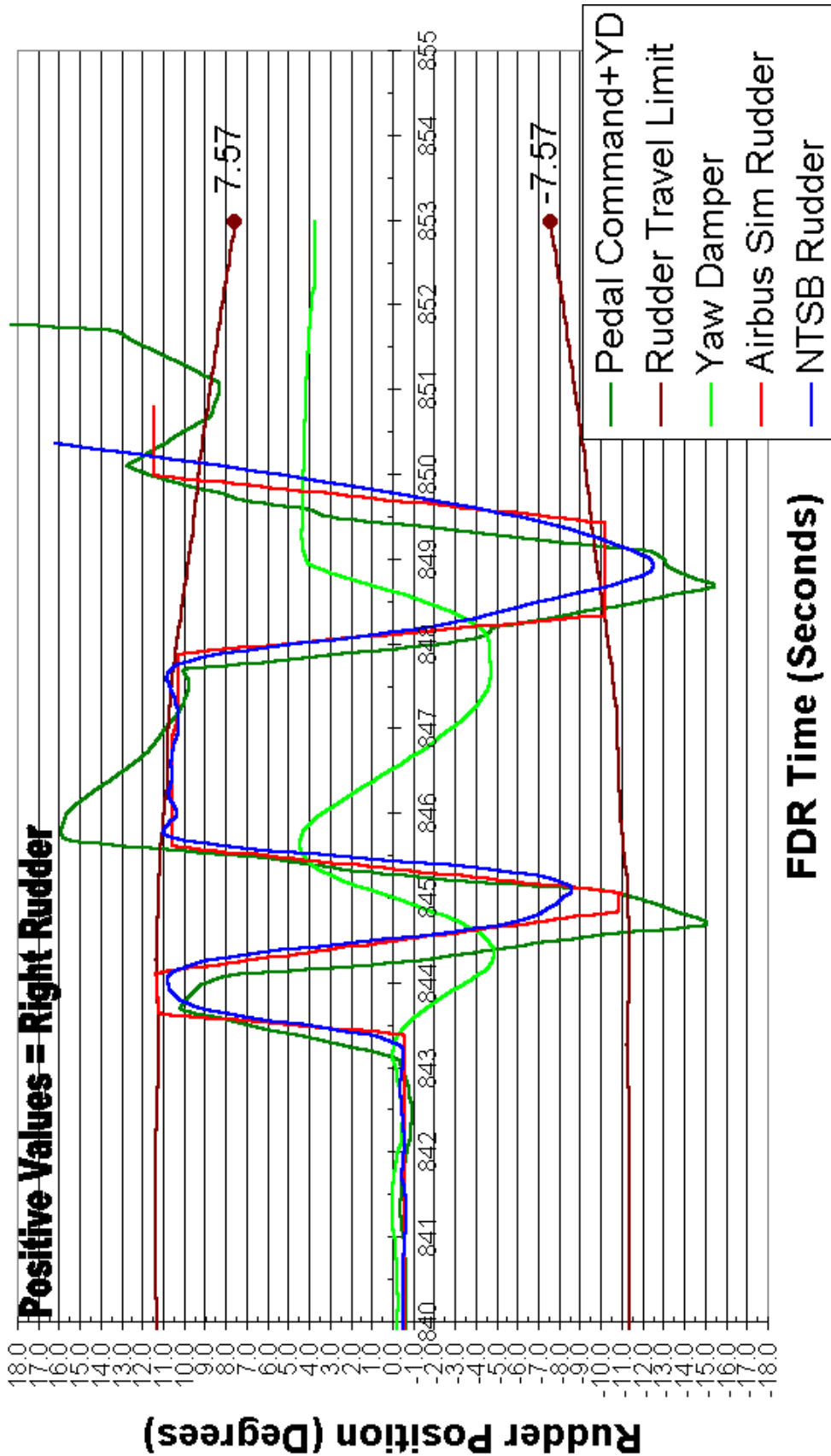
A300-600 Yaw Damper System Overview

(5 Pages)









Source: "Airbus Sim Rud" plot provided by Airbus Sept 12, 2002 (Sim. 11). All other data developed by NTSB.