



1504 Grundy's Lane, Bristol PA 19007  
Tel: 215-785-1121 - Fax 215-785-1221

January 7, 2003

To: Public Docket: #95D-0349.  
Dockets Management Branch (HFA-305 )  
Food and Drug Administration  
5630 Fishers Lane, rm. 1061  
Rockville, MD 20852  
Reference: SUPAC-IR/MR Equipment Addendum

We would like to be consider for the following:

SUPAC-IR/MR Equipment Addendum: Coating Equipment

Nature of the proposed change: Addition of Equipment

Proposed class and subclass of the equipment

- Class: Pan Coating
- Subclass: Conventional Coating Systems

Proposed equipment listing: L.B. Bohle

Pictures and descriptions of the equipment are included

See Description, Brochure.

Sincerely

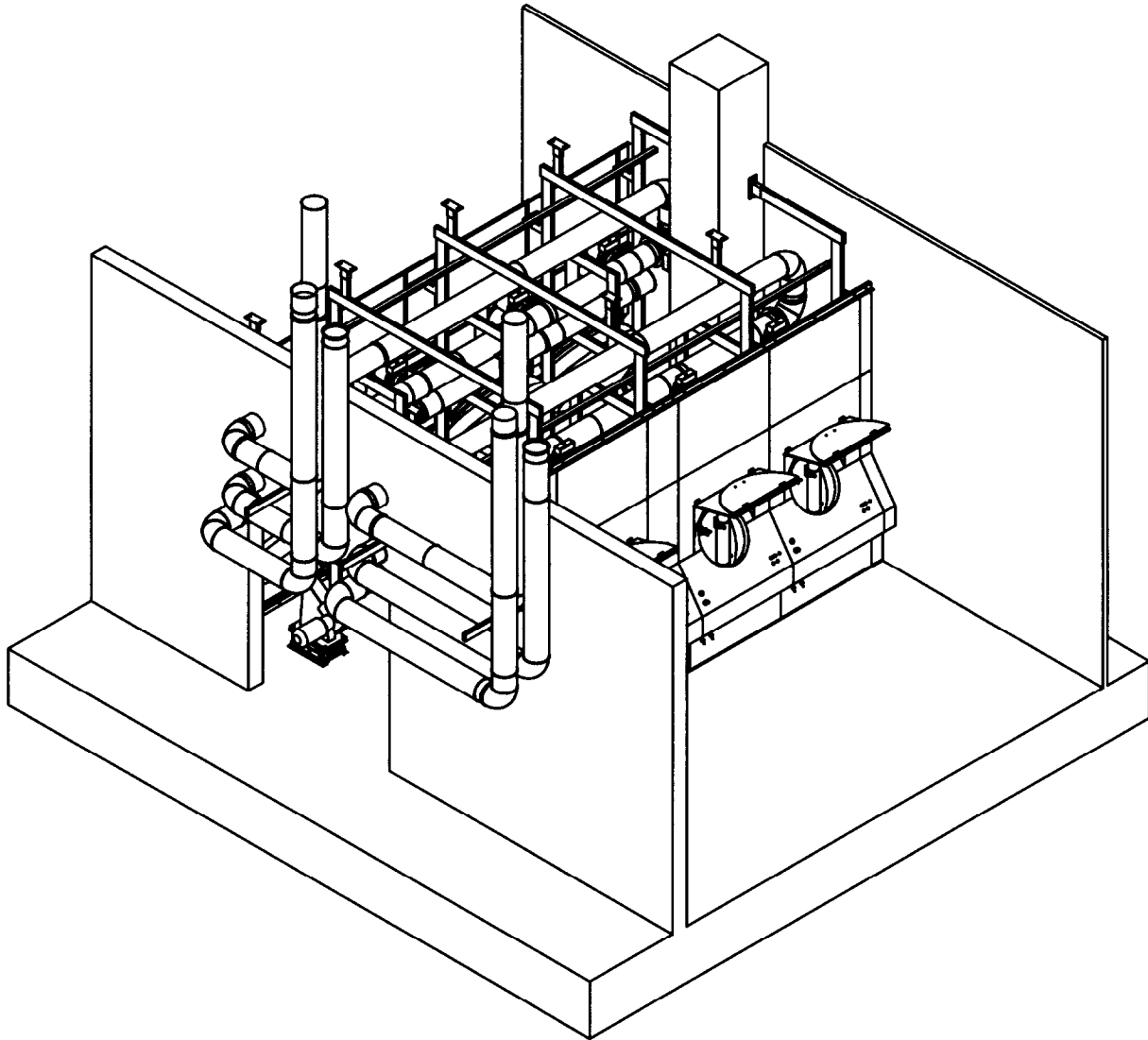
Rafael Navarro  
Project Manager

95D-0349

RPT 4



1504 Grundy's Lane, Bristol PA 19007  
Tel: 215-785-1121 - Fax 215-785-1221



**Bohle Conventional Coating System**

## Bohle Sugar Coating System

### Description

The Bohle Sugar coating system can be built in various size banks of units. For the purpose of this quotation we design a bank of three coating panels that operate with a single air handling system. They also share a common PLC control system, but each pan has independent controls

The coaters have a strictly GMP design and are completely integrated into a stainless steel wall. All motors, gears, piping, instruments, and the pan itself are located in the Technical area behind the stainless steel wall. The coaters and air handler are designed for Class I, Division I & II environment.

The following are just some of the process parameters that are monitored and controlled by the system.

- Pan Speed
- Liquid Feed rate
- Solids Feed rate
- Air Flow
- Air Temperature
- Batch Time



# LB BÖHLE

1504 Grundy's Lane. Bristol PA 19007  
Tel: 215-785-1121- Fax 215-785-1221



# LS BÖHLE

1504 Grundy's Lane, Bristol PA 19007  
Tel: 215-785-1121 - Fax 215-785-1221



**Dosing unit**

# LS BOHLE

1504 Grundy's Lane. Bristol PA 19007  
Tel: 215-785-1121 - Fax 215-785-1221

## Technical specification, control unit

