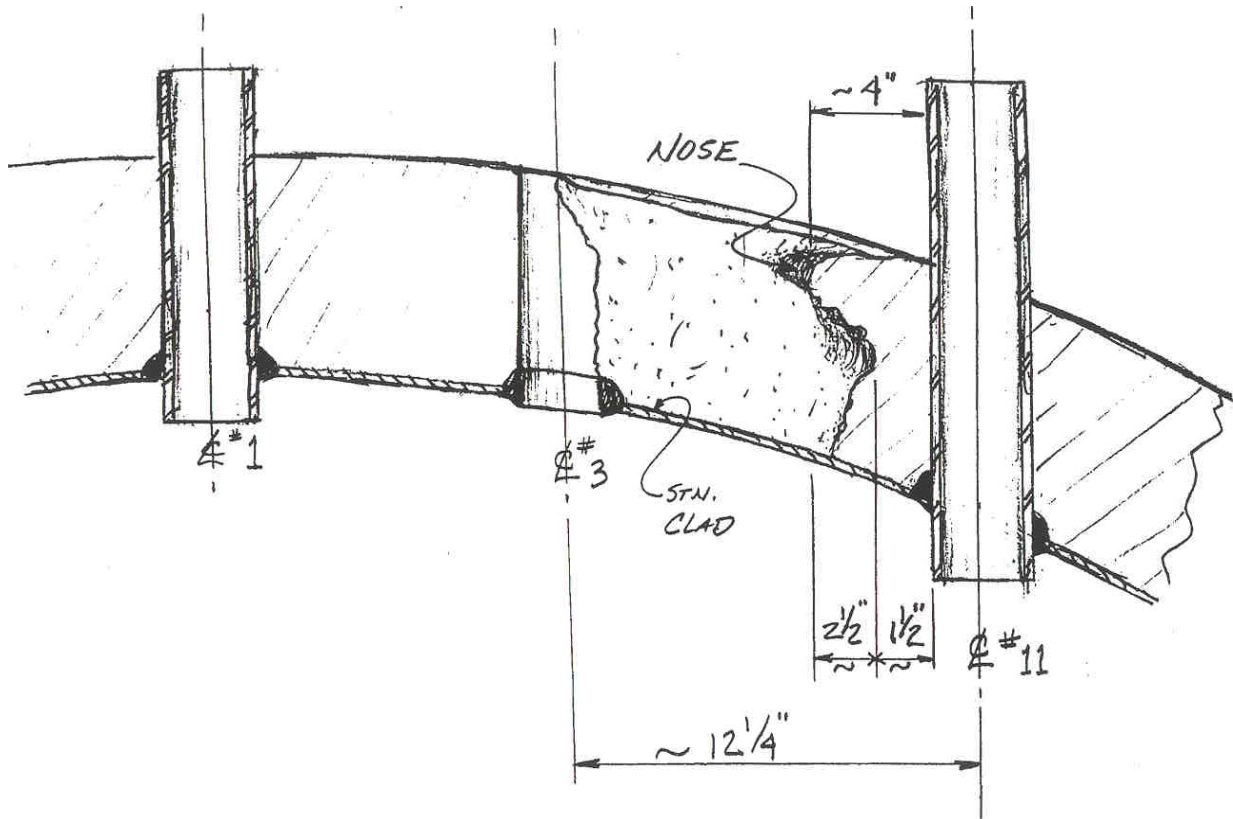


# Davis Besse Reactor Vessel Head Degradation Head Cutaway View



The above figure shows the Davis Besse reactor vessel head degradation between nozzle #3 and nozzle #11. This sketch was provided to the NRC by the Licensee.