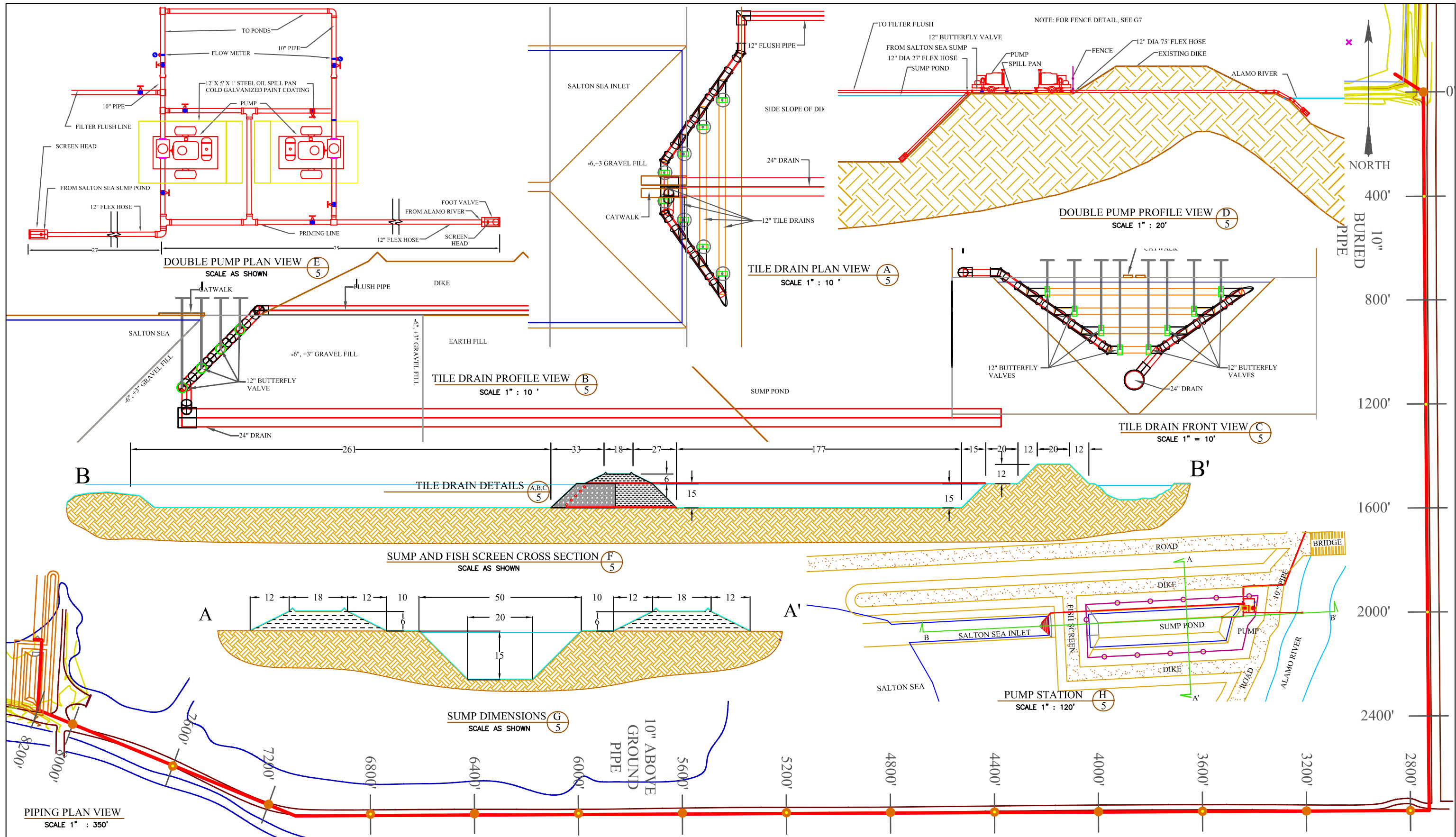

APPENDIX B
TECHNICAL DRAWINGS



THIS DRAWING IS THE PROPERTY OF AGRARIAN RESEARCH AND MANAGEMENT COMPANY LTD. AND IS NOT TO BE REPRODUCED, MODIFIED OR USED FOR ANY OTHER PROJECT OR EXTENSION OF THIS PROJECT EXCEPT BY WRITTEN AGREEMENT WITH AGRARIAN RESEARCH AND MANAGEMENT COMPANY LTD. © 2005

SCALE	REV #	DATE	DESCRIPTION
1" : 350'	01	02/02/05	FINAL PLAN SET
DRAWN: D. JOHNSON			
CHECKED: F. STRADLING			
APPROVED:			
DATE: 02/02/05			
FILE NAME: FINAL PLAN SET FOR PUMP AND PIPE			

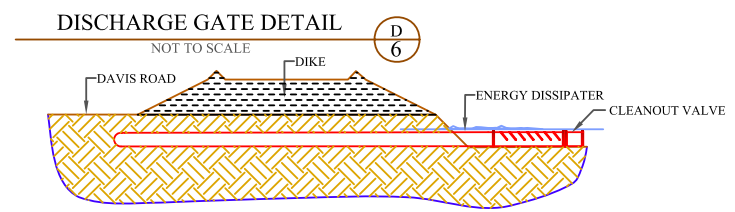
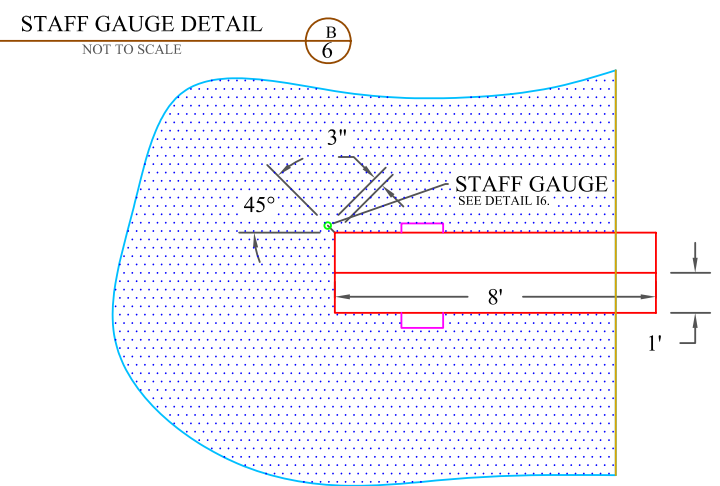
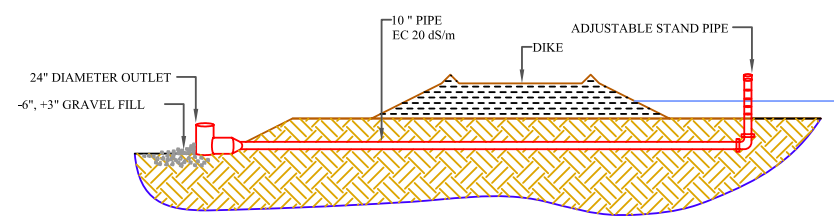
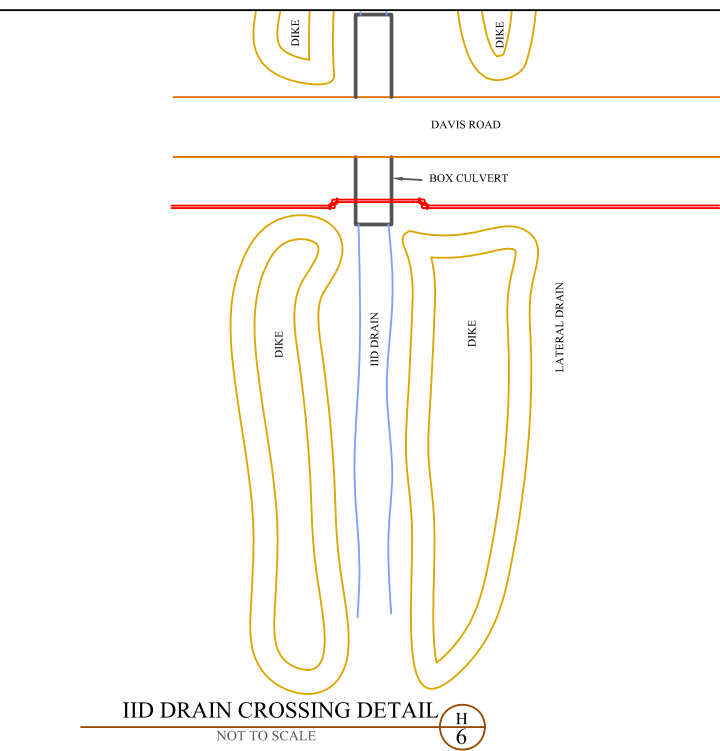
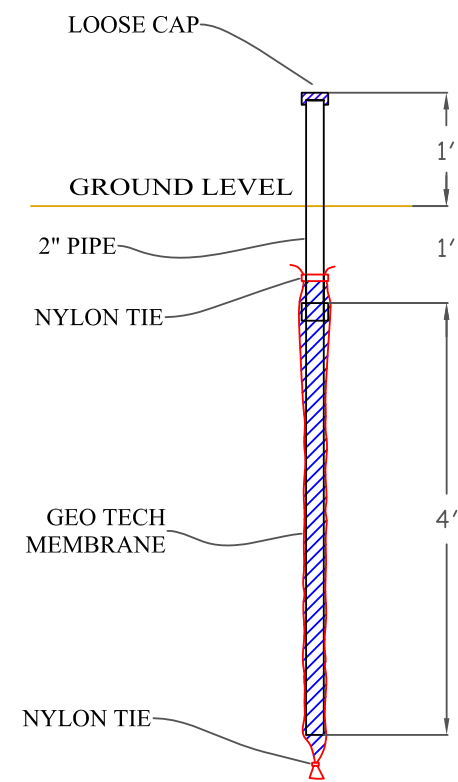
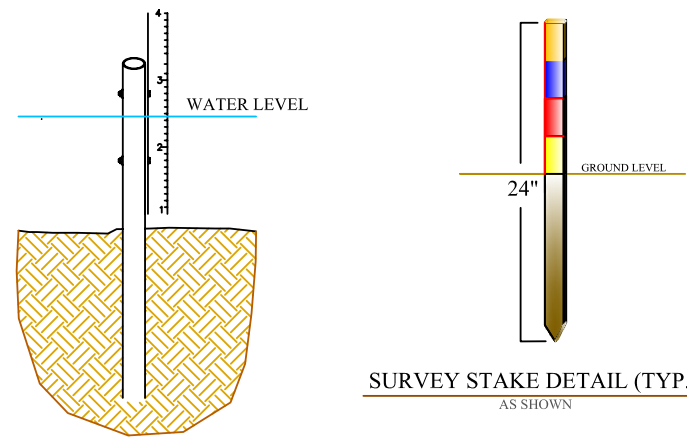
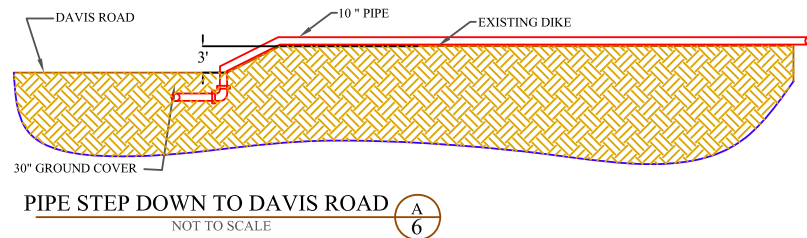
Legend

- AIR VENT WITH EARTH ANCHOR
- EARTH ANCHOR
- FENCE LINE
- 10" PIPE

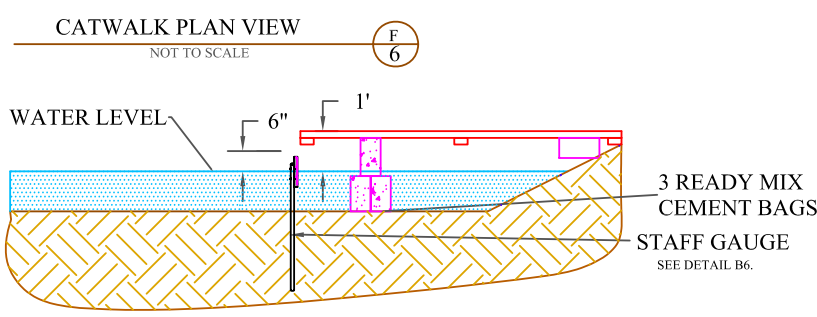
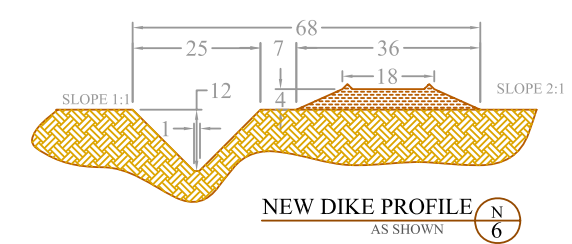
AGRARIAN
AGRARIAN RESEARCH AND MANAGEMENT COMPANY LTD.
 435 E. 1980 N. PROVO, UT 84604 162 E. Line St. Suite E. Bishop Ca. 93514
 801-375-3300 • Fax: 801-375-3300 760-873-0011 • Fax: 760-873-0099

BUREAU OF RECLAMATION
Shallow Habitat Project
Pump and Piping Detail

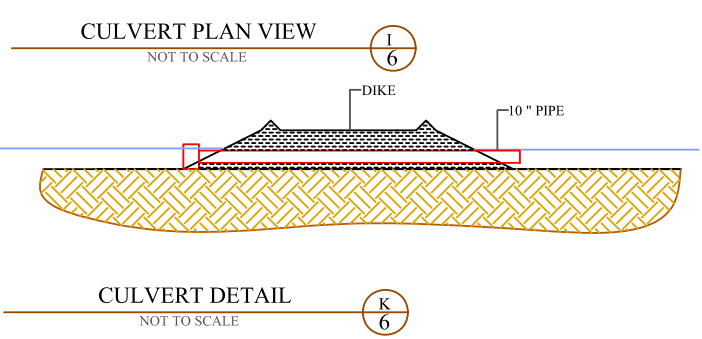
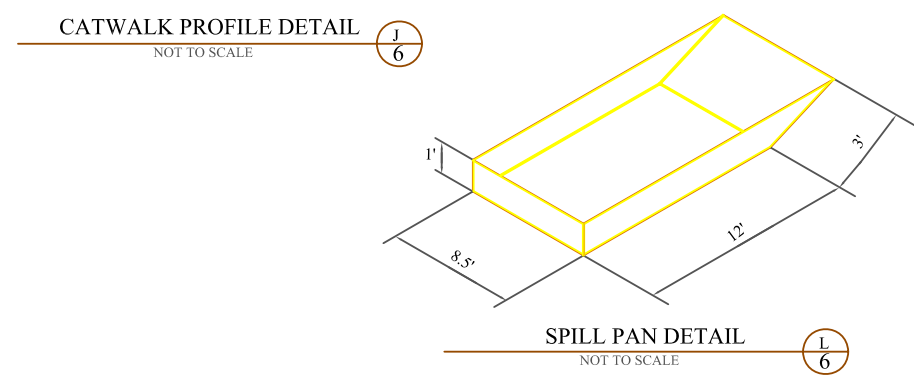
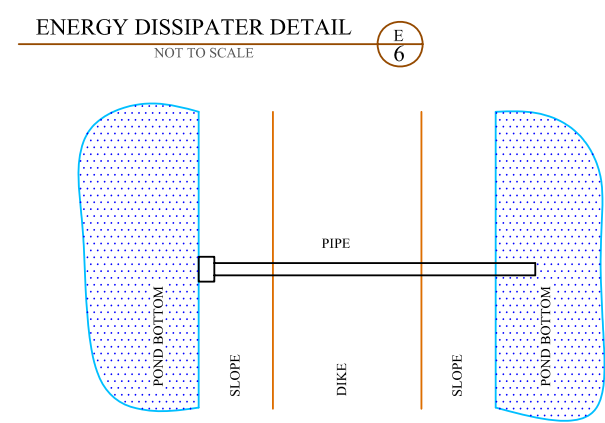
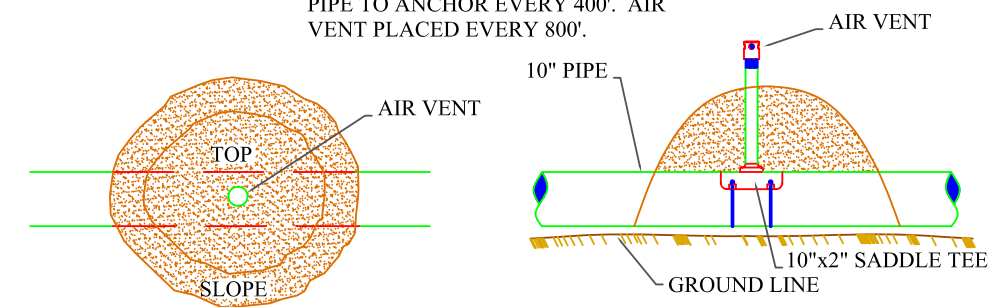
5
SHEET NO.



GROUNDWATER WELL DETAIL (G/6)
AS SHOWN



NOTE: LOAD 5 YARDS OF SPOIL ON PIPE TO ANCHOR EVERY 400'. AIR VENT PLACED EVERY 800'.



THIS DRAWING IS THE PROPERTY OF AGRARIAN RESEARCH AND MANAGEMENT COMPANY LTD. AND IS NOT TO BE REPRODUCED, MODIFIED OR USED FOR ANY OTHER PROJECT OR EXTENSION OF THIS PROJECT EXCEPT BY WRITTEN AGREEMENT WITH AGRARIAN RESEARCH AND MANAGEMENT COMPANY LTD. © 2005

SCALE	AS SHOWN	REV #	DATE	DESCRIPTION
DRAWN	B. JOHNSON	01	05/06/05	FINAL PLAN SET
CHECKED	F. STRADLING			
APPROVED				
DATE	05/06/05			
FILE NAME	Final Plan Set 02 10-Arriano Project Details			

AGRARIAN
AGRARIAN RESEARCH AND MANAGEMENT COMPANY LTD.
 435 E. 1980 N. PROVO, UT 84604 162 E. Line St. Suite E. Bishop Ca. 93514
 801-375-3300 • Fax: 801-375-3300 760-873-0011 • Fax: 760-873-0099

BUREAU OF RECLAMATION
 Shallow Habitat Project
 Project Details