

Faatulagaina o Lau Pusa Faaliliuata (Converter Box) Digital-ile-Analog ma le VCR

FCC Faamatalaga mo Tagata Faatau

O TV Analog ma VCR e mafai ona maua ai ata digital television (DTV) ile fa'aogaina ole Pusa Faaliliuata "Digital-to-Analog Converter Box" e mafai ona faatau mai i se faleoloa. Afai o e fa'aogaina se pusa faaliliuata e tasi ma le Faatulagana #1, e mafai ona e matamata ma pu'eina ni ata mai ise ālaata e tasi. Afai o e fa'aogaina pusa faaliliuata e lua ma le Faatulagana #2, e mafai ona e matamata ile isi ālaata (channel) a'o pu'eina ata i se isi ālaata.

Faatulagana #1: Matamata ma Pu'eina Ata ile Ālaata e Tasi

Mea e Mana'omia: E mana'omia lau TV analog, VCR analog, ole enetena o loo e fa'aogaina (i totonu poo fafo ole fale), ma le uaea coaxial o loo fesoota'i ai lau enetena i lau VCR (e pei ona fa'aali atu ile ata taumatau). A maua mai sau pusa faaliliuata fou, o le a sau ai ma se isi uaea coaxial faapea ma se remote control. Ae e te le'i amata, e tatau ona se'i le uaea e ola ai lau TV ma le VCR.



Uaea Coaxial

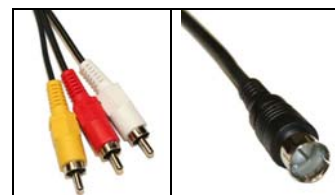
<p>Laasaga ❶ Se'i le uaea ole enetena mai ile "Antenna In (RF)" port o loo i tua o lau VCR .</p> <p>Tu'u ai pea le uaea mai i lau VCR ile TV (poo le A/V cable poo le Uaea Coaxial).</p>	
<p>Laasaga ❷ Sulu le uaea coaxial i totonu ole "Antenna In (RF)" port o loo ile Pusa Faaliliuata.</p>	
<p>Laasaga ❸ Fa'aogā le uaea coaxial sa sau faatasi ma lau Pusa Faaliliuata, sulu le itū e tasi ile "Out To TV (RF)" port o loo ile Pusa Faaliliuata. Sulu le tasi itū ile "Antenna In (RF)" port o loo i tua ole VCR.</p>	



Laasaga ④ Sulu ia uaea e ola ai lau Pusa Faaliliuata, VCR ma le TV i se poloka e ola ai, ona ki lea ia ola. Ki lau VCR ile ālaata 3 poo le 4 [mulimuli i faatonuga (manual) o loo aumai faatasi ma le pusa faaliliuata], ona faatulaga lea o lau TV ina ia iloa ai vitiō mai i lau VCR. I le fa'aogāina o lau remote o loo sau faatasi ma le Pusa Fa'aliliuata, ia mulimuli i faatonuga o loo fa'aali mai i luga ole ata (screen) ina ia su'e ai poo a ālaata e maua ile DTV, ma fiafia loa i ata ua e maua mai i le Digital TV! O le a mafai ona e pu'eina polokalama i ālaata ua maua mai i lau pusa fa'aliliuata.

Faatulagana #2: Matamata Ata mai ile isi Ālaata a'o Pu'eina le Isi

Mea e Mana'omia: E mana'omia lau TV analog, ole enetena o loo e fa'aogaina (i totonu poo fafo ole fale), ma le uaea coaxial o loo fesoota'i ai lau enetena i lau TV (e pei ona fa'aali atu ile ata taumatau), e fa uaea coaxial, ose uaea A/V cables (e pei ona fa'aali atu ile taumatau), ose sipilita vala lua (2-way splitter), ma **pusa faaliliuata e lua**. E sau faatasi au Pusa Faaliliuata ma latou uaea coaxial, o uaea A/V cables (tolu uaea e lanu mūmū, pa'epa'e, samasama iā latou ulu), ma se remote control. Ae e te le'i amata, e tatau ona se'i le uaea e ola ai lau TV ma le VCR.

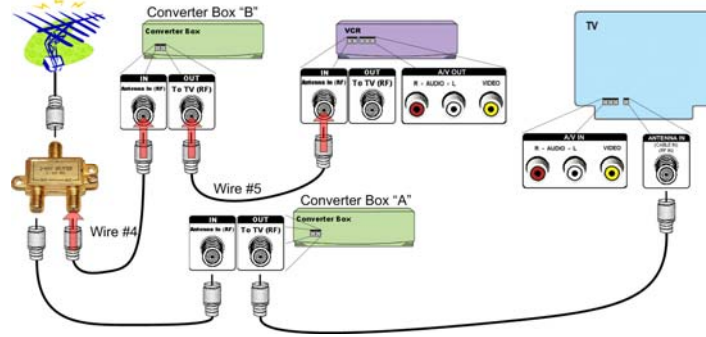


A/V Cables Uaea Coaxial

<p>Laasaga ① Se'i le uaea ole enetena mai ile "Antenna In (RF)" port o loo i tua o lau VCR .</p> <p>Laasaga ② Se'i le uaea coaxial #2 mai ile "To TV (RF)" port i tua o lau VCR. Tuu ai pea le isi itū ole uaea #2 i lau TV.</p>	
<p>Laasaga ③ Sulu le uaea coaxial o loo iai o lau enetena i totonu ole "In" port o lau sipilita vala lua (2-way splitter).</p>	
<p>Laasaga ④ Sulu le itū o loo taatia ole uaea #2 ile "Out to TV (RF)" port o loo ile Pusa Faaliliuata "A".</p> <p>Laasaga ⑤ Sulu le tasi itū ole uaea coaxial #3 ise "Out" port ole sipilita vala lua (2-way splitter). Sulu le isi itū i totonu ole "Antenna In (RF)" port ile Pusa Faaliliuata "A".</p>	

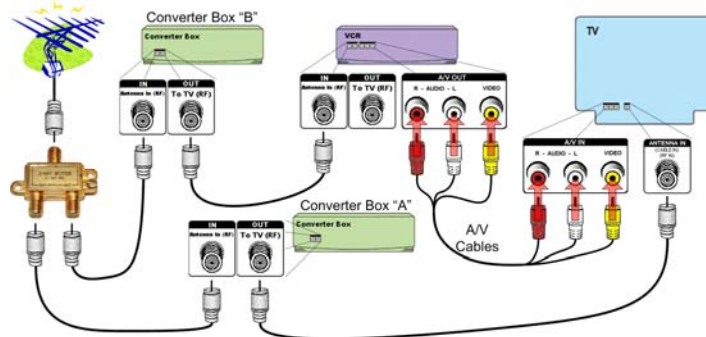


Laasaga 6 Sulu le tasi itū ole uaea coaxial #4 ise “Out” port ole sipilita vala lua (2-way splitter). Sulu le isi itū i totonu ole “Antenna In (RF)” port ile Pusa Faaliliuata “B”.



Laasaga 7 Sulu le tasi itū ole uaea coaxial # 5 ile “Out to TV (RF)” port ole Pusa Faaliliuata “B”. Sulu le isi itū i totonu ole “Antenna In (RF)” port ole VCR.

Laasaga 8 Ile fa’aogaina o au uaea A/V cables, sulu le tasi itū o uaea ile “A/V Out” ports o lau VCR. Faatutusa lanu o poloka i lanu o ports, ina ia sulu le lanu mūmū ile mūmū, pa’epa’e ile pa’epa’e, ma le samasama ile samasama. Sulu le isi itū o uaea ile “A/V In” port i lau TV i le auala e tasi. A leai se (Audio R) port lanu mūmū o lau TV, aua le suluina itū uma e lua ole uaea mūmū.



Laasaga 9 Sulu ia uaea e ola ai lau Pusa Faaliliuata, VCR ma le TV i se poloka e ola ai, ona ki lea ia ola. Ki lau TV ile ālaata 3 poo le 4 [mulimuli i faatonuga (manual) o loo aumai faatasi ma le pusa faaliliuata], ina ia faatulaga ai Pusa Faaliliuata “A”. I le fa’aogāina o lau remote o loo sau faatasi ma le Pusa Fa’aliliuata “A”, ia mulimuli i faatonuga o loo fa’aali mai i luga ole ata (screen) ina ia su’e ai poo a ālaata e maua ile DTV.

Laasaga 10 Ki lau TV ile “Audio/Video In” ma ki lau VCR ile ālaata 3 poo le 4 [mulimuli i faatonuga (manual) o loo aumai faatasi ma le pusa faaliliuata], ina ia faatulaga ai Pusa Faaliliuata “B”. I le fa’aogāina o lau remote o loo sau faatasi ma le Pusa Fa’aliliuata “B”, ia mulimuli i faatonuga o loo fa’aali mai i luga ole ata (screen) ina ia su’e ai poo a ālaata e maua ile DTV.

- A e fia mana’o e pu’e se polokalama i lau VCR, faatulaga le ālaata o lau VCR ile 3 poo le 4, ma ki le pusa faaliliuata ile ālaata o loo e mana’o iai.
- A faapea o loo iai i lau Pusa Faaliliuata se “universal remote control” poo iai fo’i lava sau oe universal remote control, mulimuli i faatonuga o loo aumai ile Pusa Faaliliuata ina ia mafai ai ona fa’aogā le remote mo le TV, VCR ma le Pusa Faaliliuata.
- A iai sau Pu’eata DVD poo se DVR, e tatau ona mafai na fesootai i se auala e ta’i tutusa ile auala ua faamatala atu i luga.



Mo nisi faamatalaga e faatatau ile suiga ile DTV, alu ile www.dtv.gov pe faafesoota'i le FCC e ile i-meli dtvinfo@fcc.gov; vili le 1-888-CALL-FCC (1-888-225-5322) leo (voice) poo le 1-888-TELL-FCC (1-888-835-5322) TTY; pe fax ile 1-866-418-0232; pe tusi atu ile:

Federal Communications Commission
Consumer & Governmental Affairs Bureau
Consumer Inquiries and Complaints Division
445 12th Street, SW
Washington, DC 20554

Mo lenei poo nisi lava lomiga mo tagata faatau ise fometi mauagofie (faa-eletoni ASCII text, Braille, mata'itusi mata tetele, poo le audio) faamolemole tusi pe vili mai matou ile tuatusi poo le numera telefoni i lalo, pe meli se i-meli ile FCC504@fcc.gov.

Ina ia mauaina faamatalaga i lenei mataupu poo se isi mataupu FCC mo tagata faatau e ala ile Commission's electronic subscriber service, kiliki ile www.fcc.gov/cgb/contacts/.

O lenei pepa e na'o mo le a'oa'oina o tagata faatau ma e le faapea ole a aafia ai nisi fuafuaga poo ni matāupu e faatatau i lenei tulaga.

