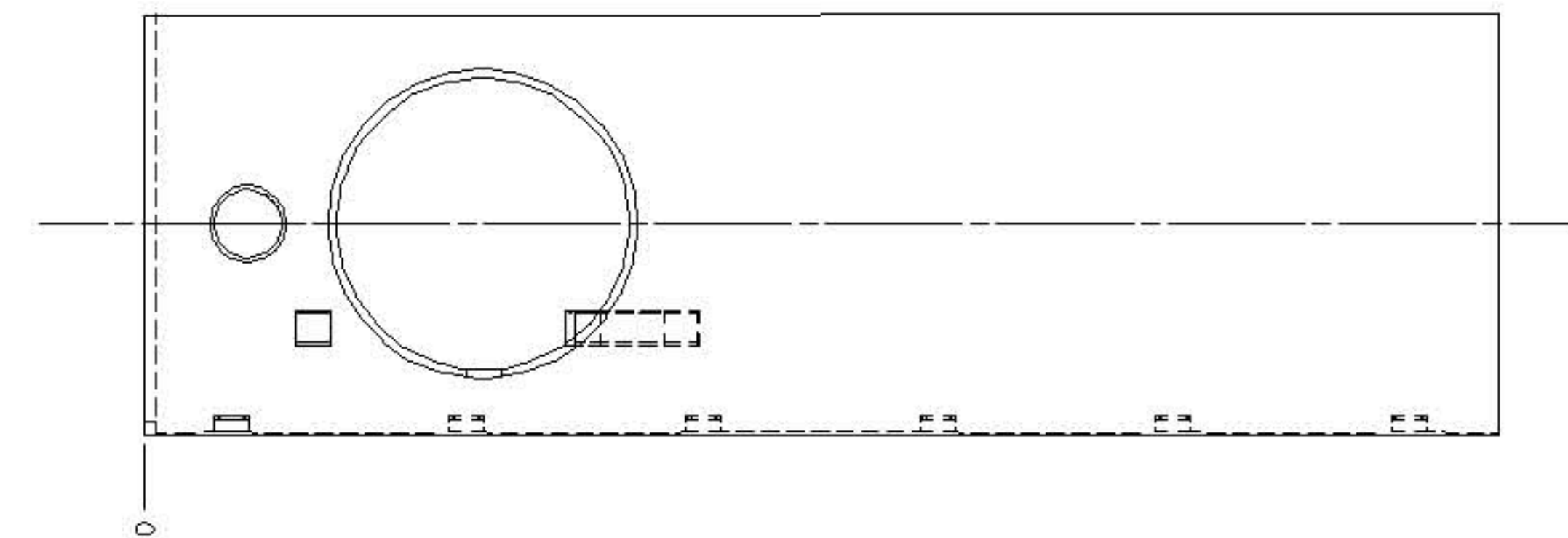
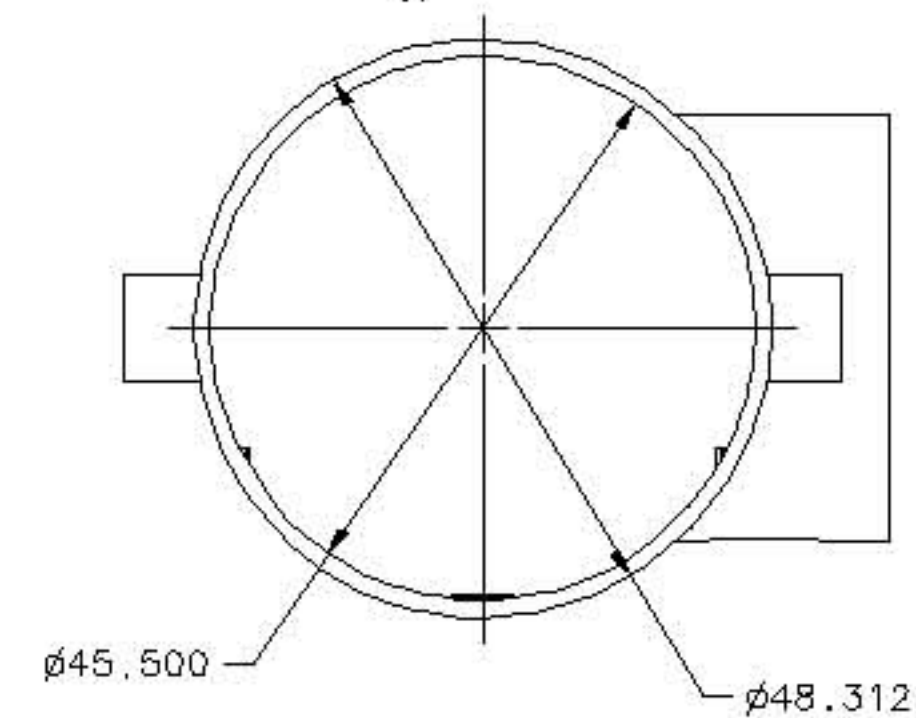
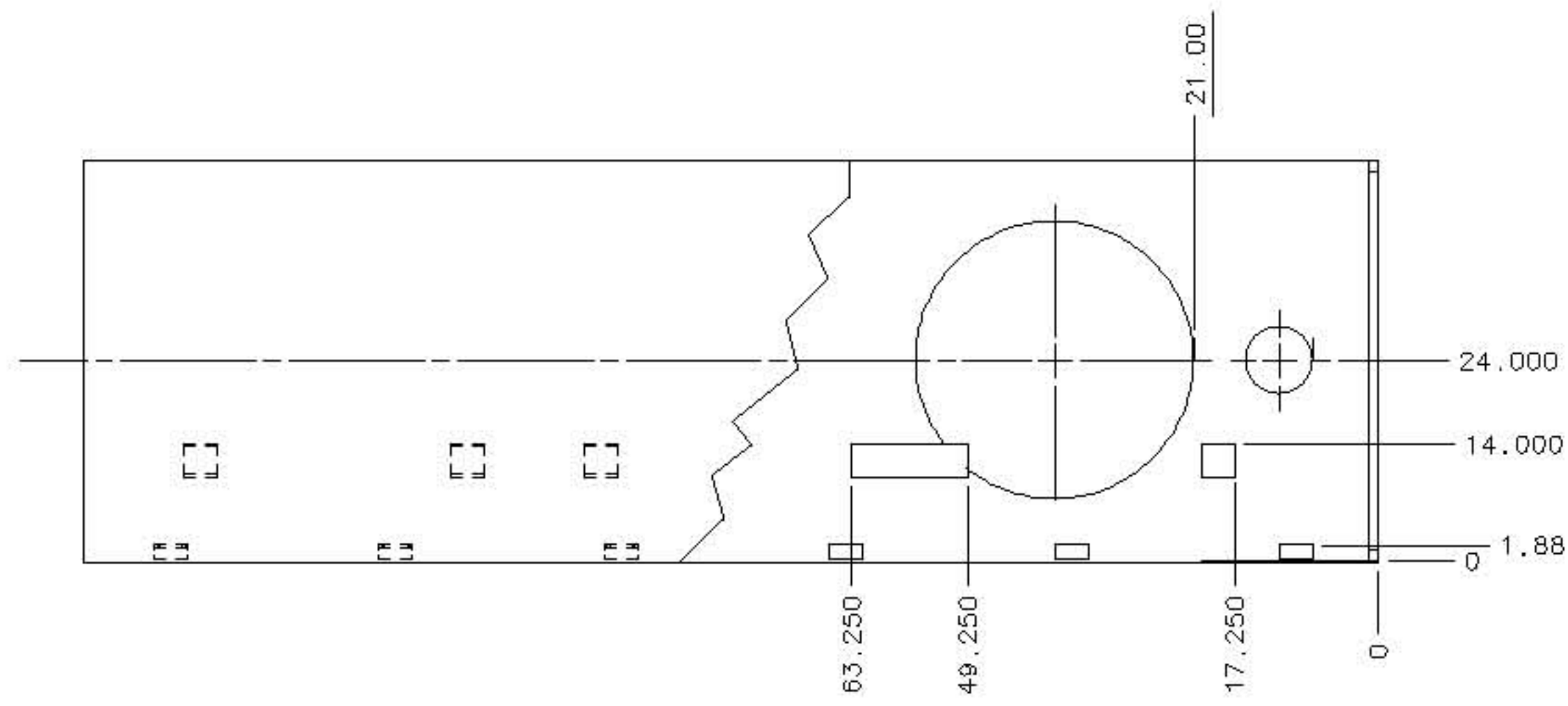
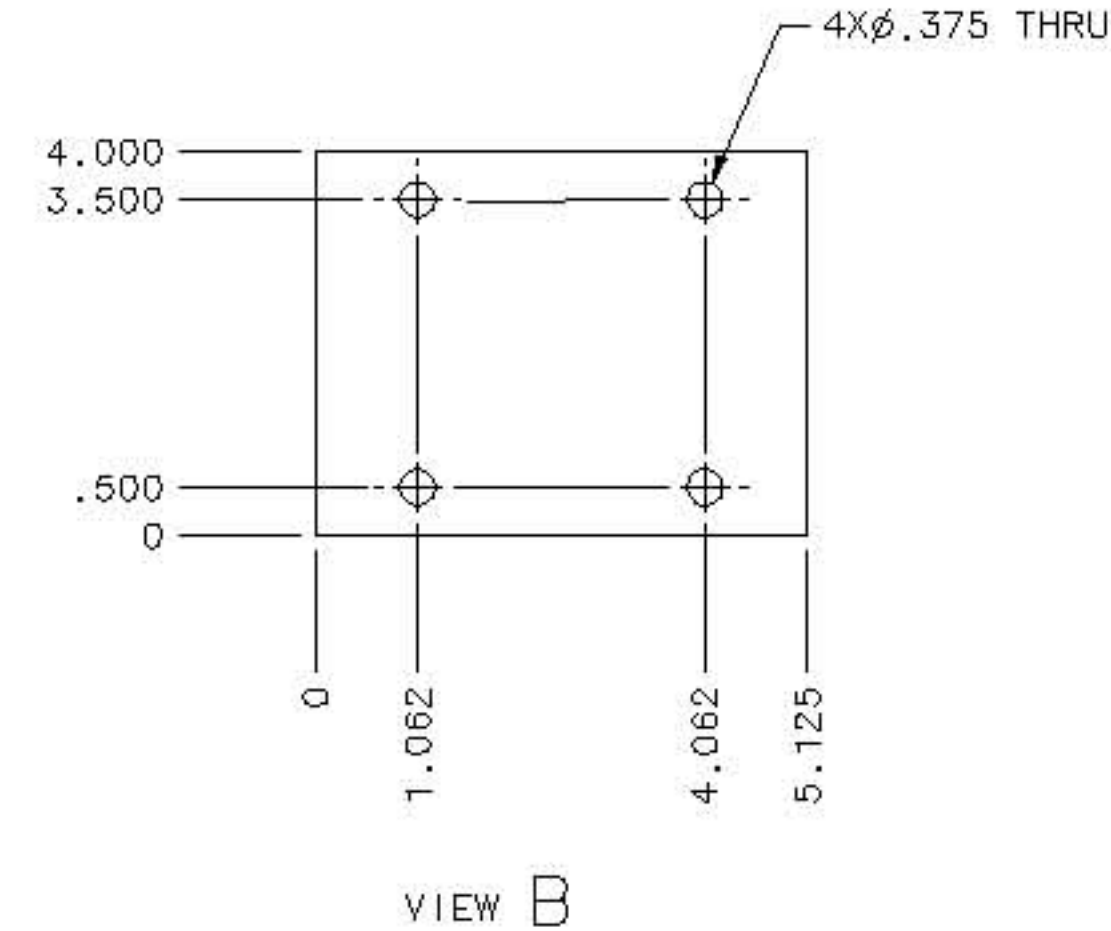
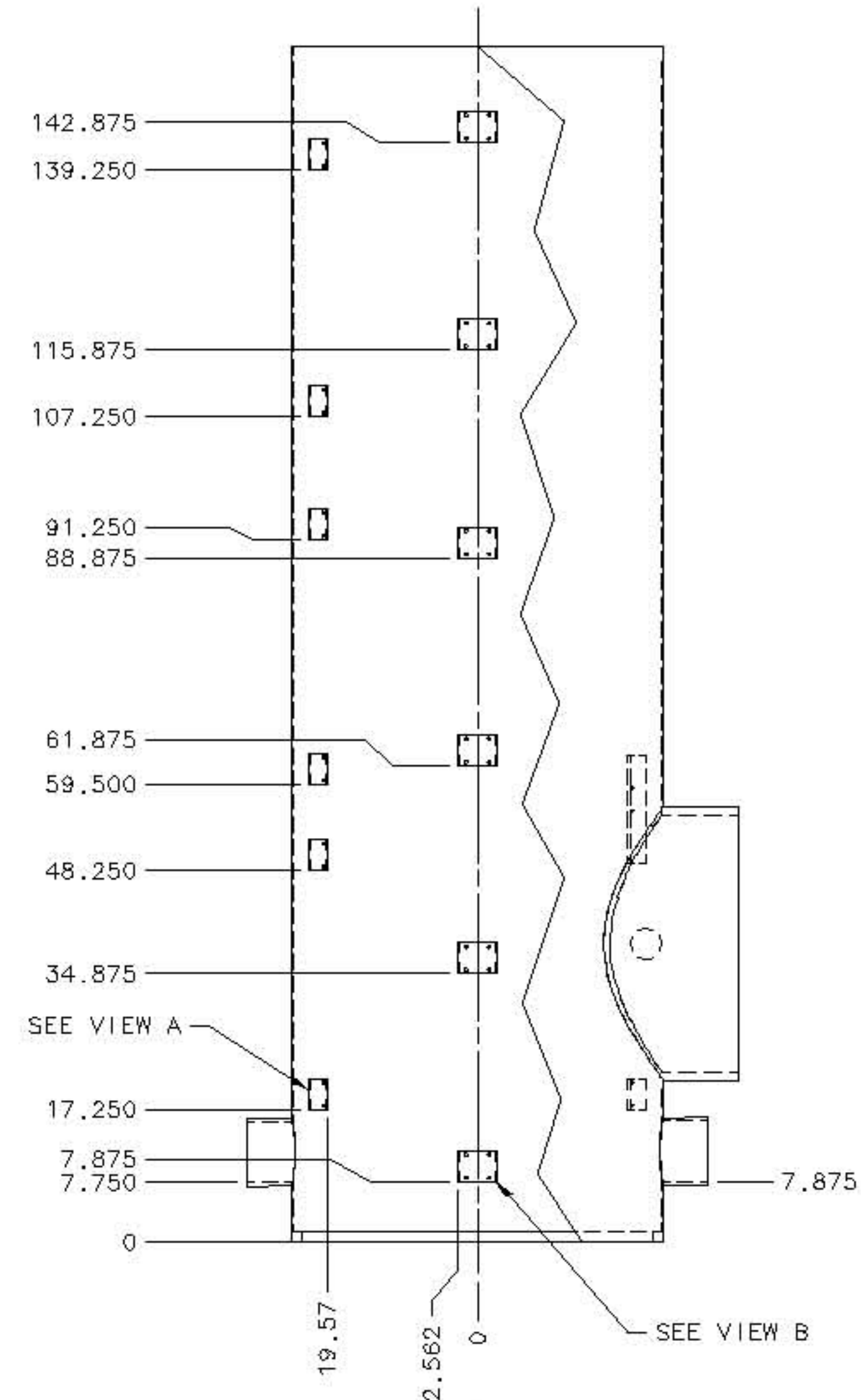
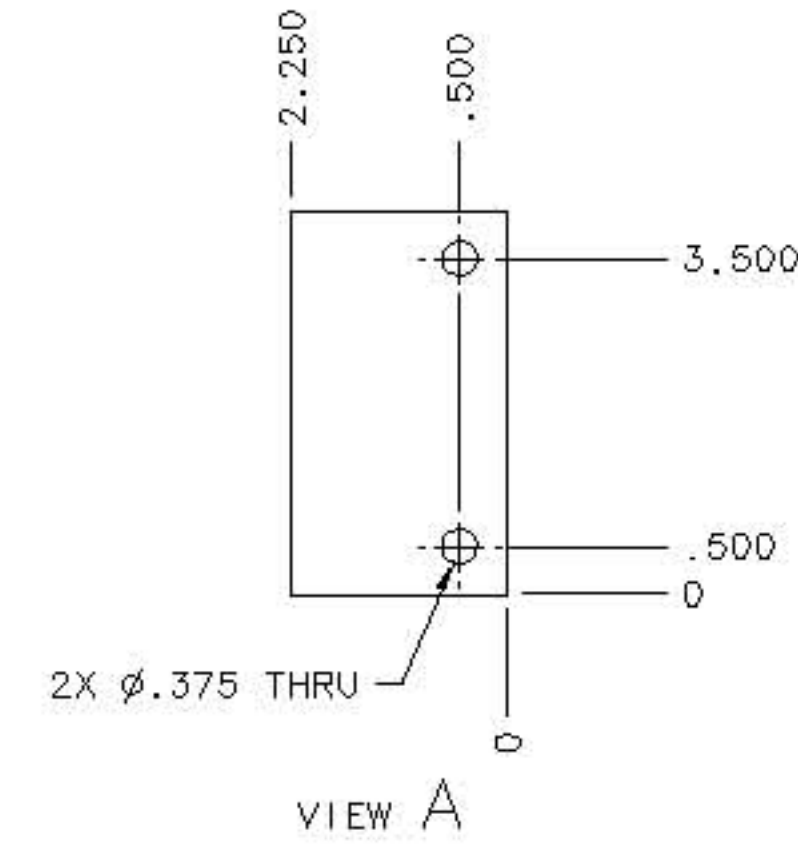


REVISION				
SYM	ZONE	DESCRIPTION	DATE	APPROVAL



WARNING
CONTROLLED DIMENSION DRAWING
THIS DRAWING IS INCOMPLETE

ITEM NO.	REQD	REQD	PART NO.	DESCRIPTION	MATERIAL	MATERIAL SPEC & NO.
LIST OF MATERIAL						
UNLESS OTHERWISE SPECIFIED-DIMENSIONS ARE IN INCHES						
TOLERANCES:						
.XX	.XXX	FRACTIONS	125	NATIONAL AERONAUTICS AND SPACE ADMINISTRATION		
±.02	±.005	±1°	±1/16	Goddard Space Flight Center GREENBELT, MARYLAND		
REMOVE ALL BURRS AND SHARP EDGES R .010 OR CHAMFER MAX.				NAME	INIT	DATE
<input type="checkbox"/> FLIGHT HARDWARE/POST FAB HARDNESS TEST REQ'D				DESIGNER		
<input checked="" type="checkbox"/> HARDNESS TEST NOT REQUIRED <input checked="" type="checkbox"/> NON FLIGHT				R. RUSSELL		2/8/08
<input type="checkbox"/> TEST HARDNESS PER ASTM E-18, LOCATION OPTIONAL				DRAWN		
<input type="checkbox"/> TEST HARDNESS PER ASTM E-18 WHERE INDICATED				R. RUSSELL		
ON FIELD OF DRAWING THUS <input type="checkbox"/>				CHECKED		
<input checked="" type="checkbox"/> NO NON-DESTRUCTIVE EXAMINATION (NDE) REQ'D				R. MCCLELLAND		
<input type="checkbox"/> NDE REQUIRED PER S-313-009 CODE				APPROVED		
				D. ROBINSON		
				APPROVED		
				APPROVED-STRESS		
				APPROVED-ENGINEER		
NEXT ASSY				USED ON	CODE	SCALE 1/8" WT SH 1 OF 1

THIS DRAWING WAS PRODUCED USING
SOFTWARE: I-DEAS VERSION:
FILE NAME: UPDATED CHAMBER

LAYOUT, CHAMBER

GD 2112763 REV 2