



ENDF/B-VII β 3 Phase 1 Testing

*Ramon E. Arcilla Jr. **
National Nuclear Data Center
Brookhaven National Laboratory

**Email: arcilla@bnl.gov*

ENDF/B-VII β 3 Phase 1 Testing

Objective: To ensure E7/ β 3 can be readily processed by popular application codes, i.e. NJOY and MCNP.

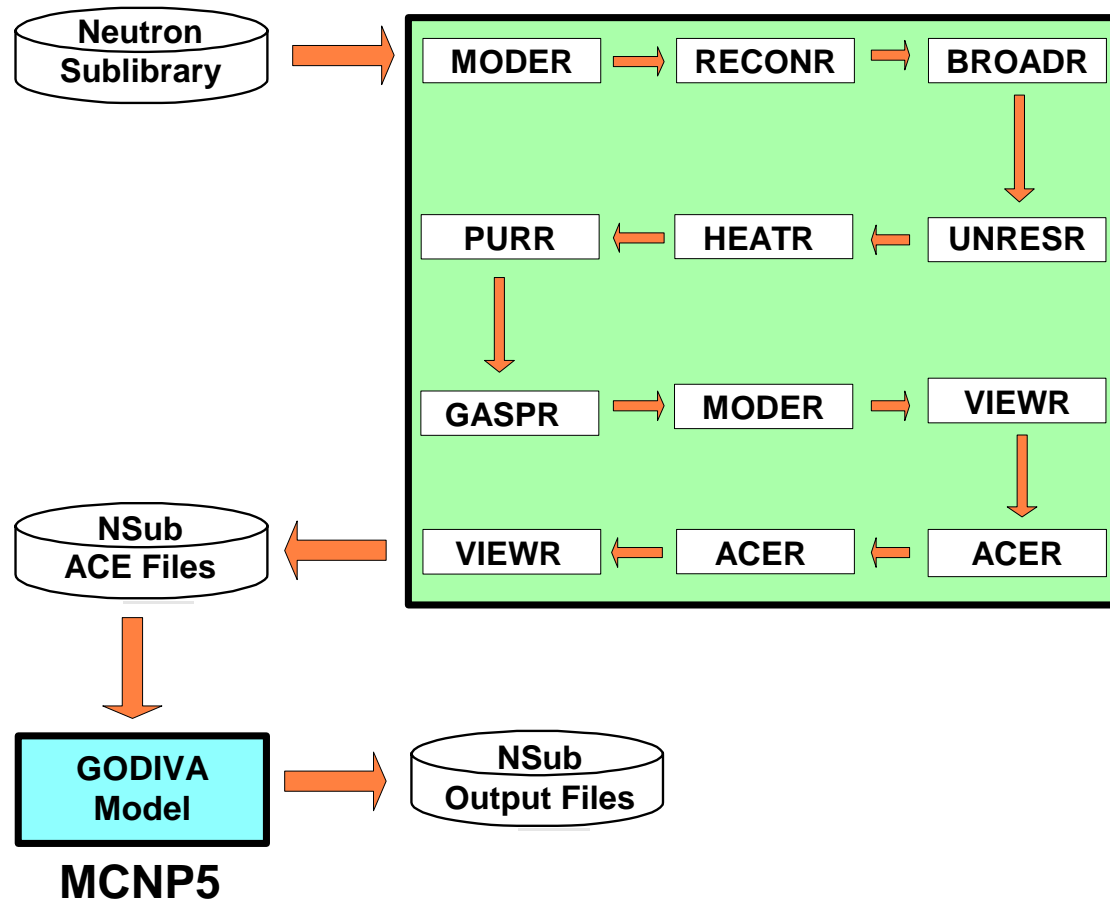
Procedure

1. Patched NJOY.
NJOY99.0 + Patch-161 + ERRORR (Go Chiba, JNC)
+ Linux-specific Patch = NJOY99.161
2. Processed all E7/ β 3 materials with NJOY99.161 and MCNP5

ENDF/B-VII β 3 Phase 1 Testing

Process Flow for Neutron Sublibrary

NJOY99.161



ENDF/B-VII β 3 Phase 1 Testing

RESULTS

1. 392 materials were processed successfully.
Es-253 (incomplete) crashed NJOY.
2. J.C. Sublet (CEA) on NJOY/Sun Solaris:
 - Ba-133 would not process through UNRESR
 - H-1 and Ho-166m caused arithmetic exception in HEATR, GASPR and PURR