

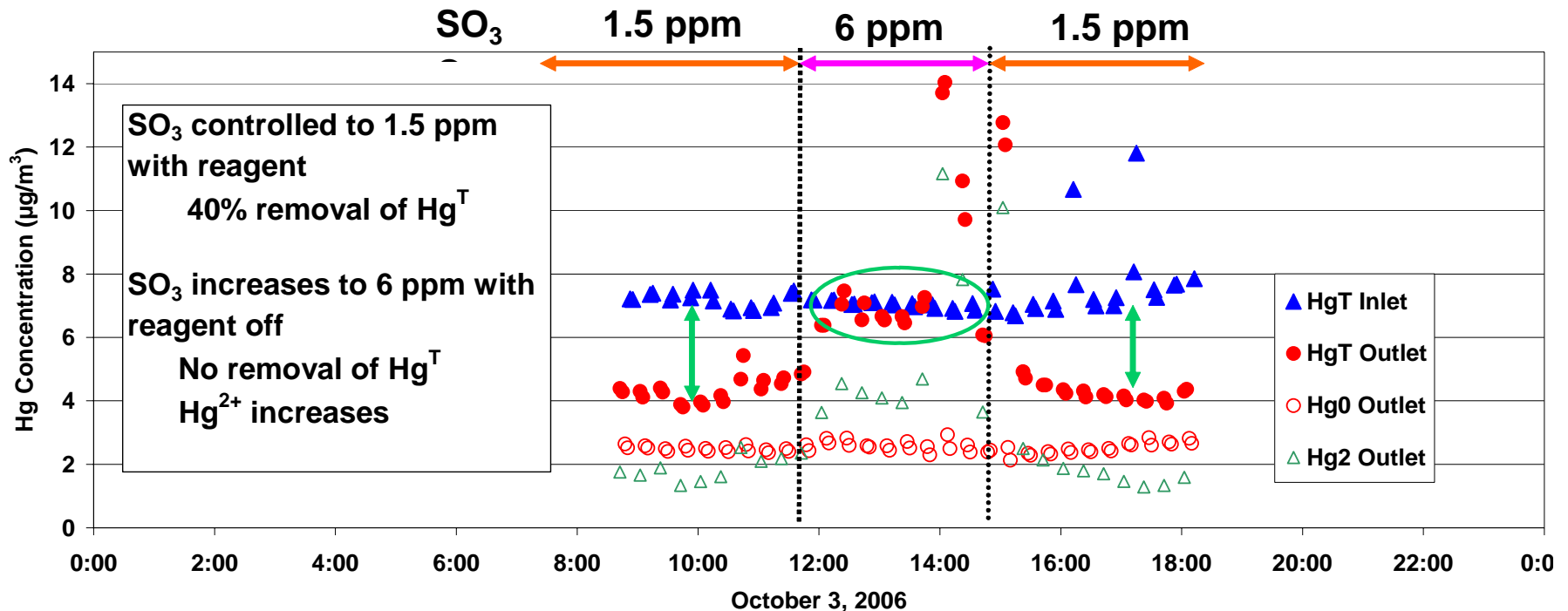
Effect of SO_3 on Hg Removal by Fly Ash and Activated Carbon

Katherine Dombrowski
URS Corporation

December 11, 2006

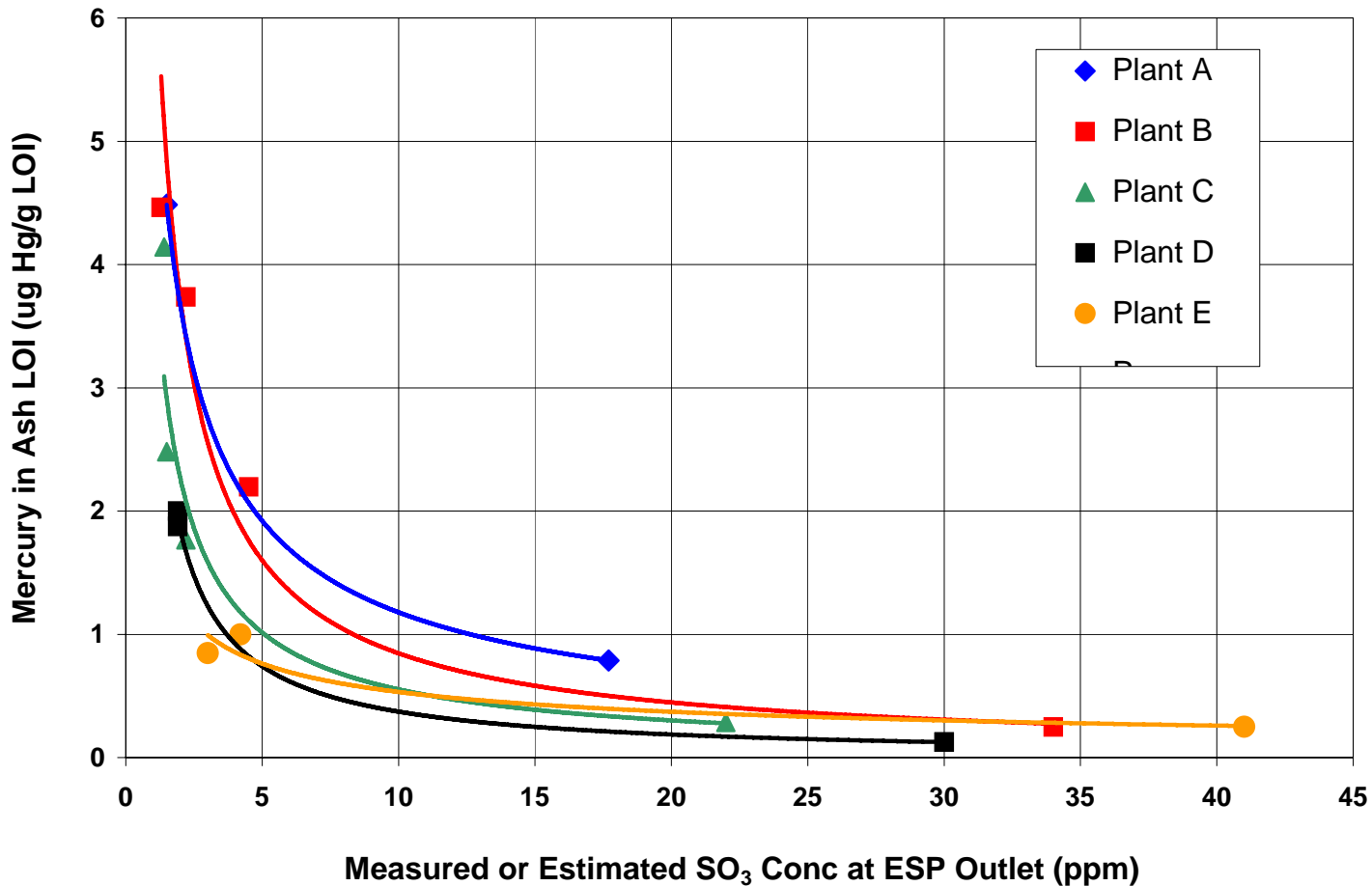
Effect of SO₃ on Mercury Removal

Mercury Research Center Results



Effect of SO₃ on Hg in Ash LOI

Mercury Removal By Carbon in Ash with SBS Injection

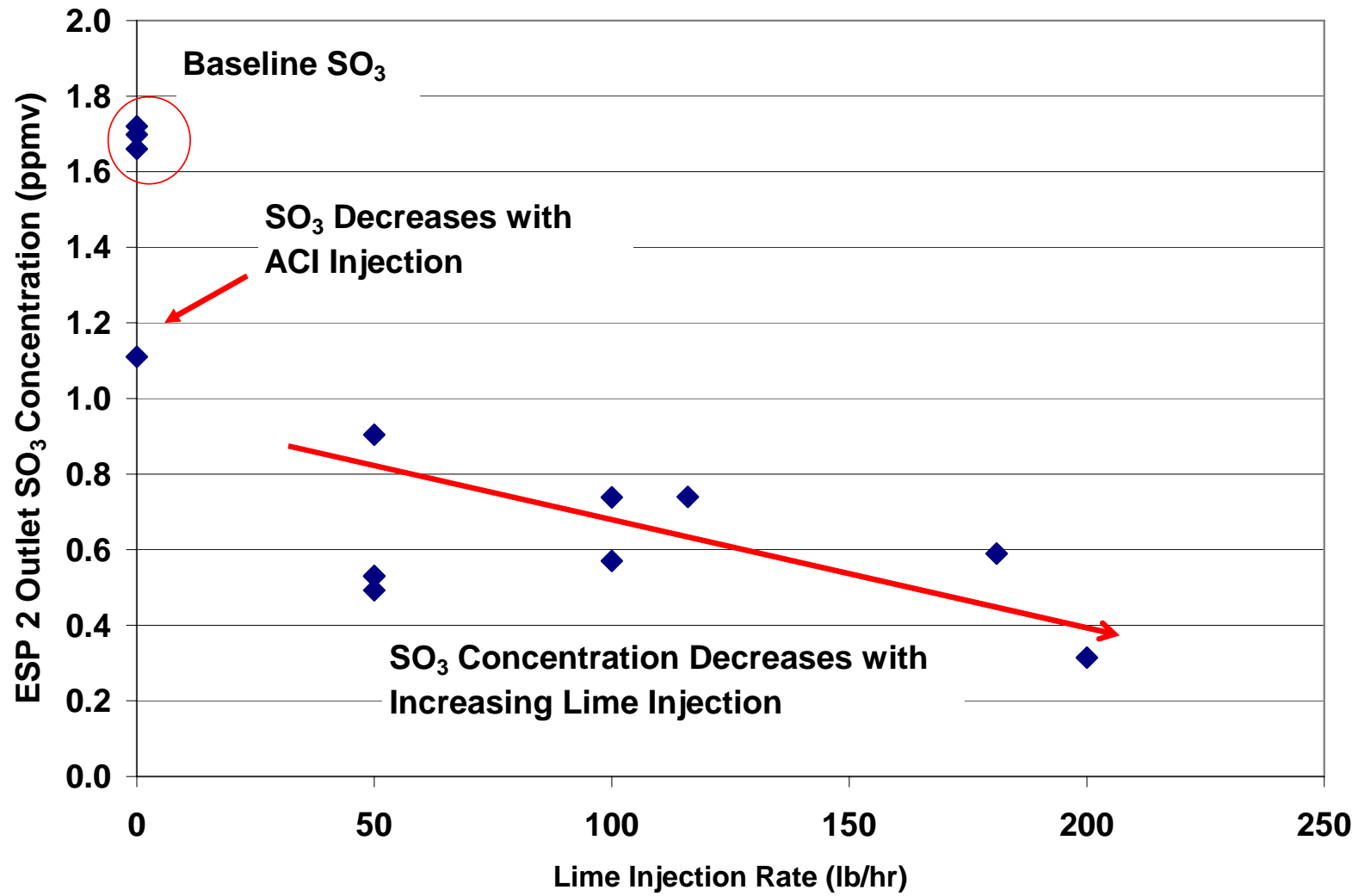


Shawville Results

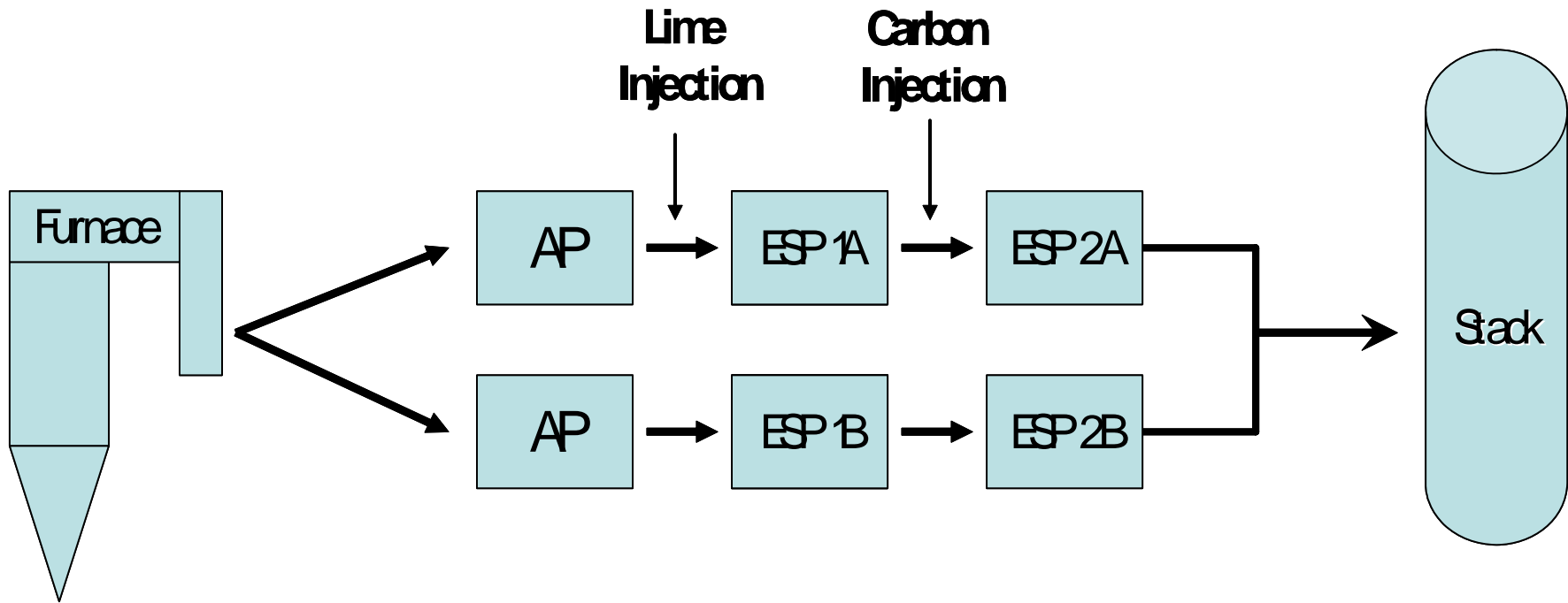
- ACI Program at Reliant's Shawville Station
- Eastern Bituminous Coal: 2% Sulfur
- Project team expected that SO_3 might interfere with activated carbon performance
- Injected lime to mitigate SO_3 and evaluated effect on mercury removal



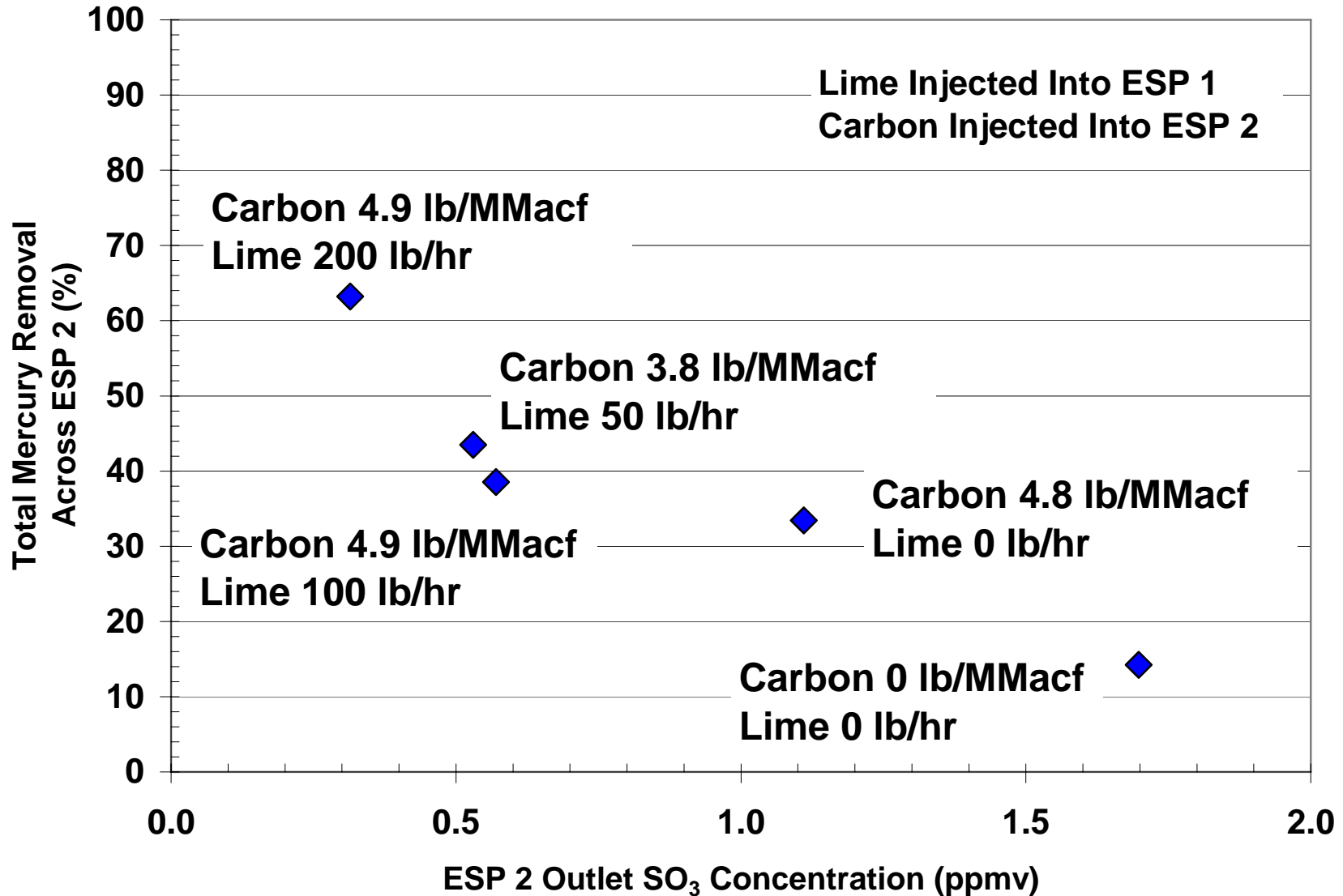
Effect of Carbon and Lime on SO₃ Concentrations - Shawville



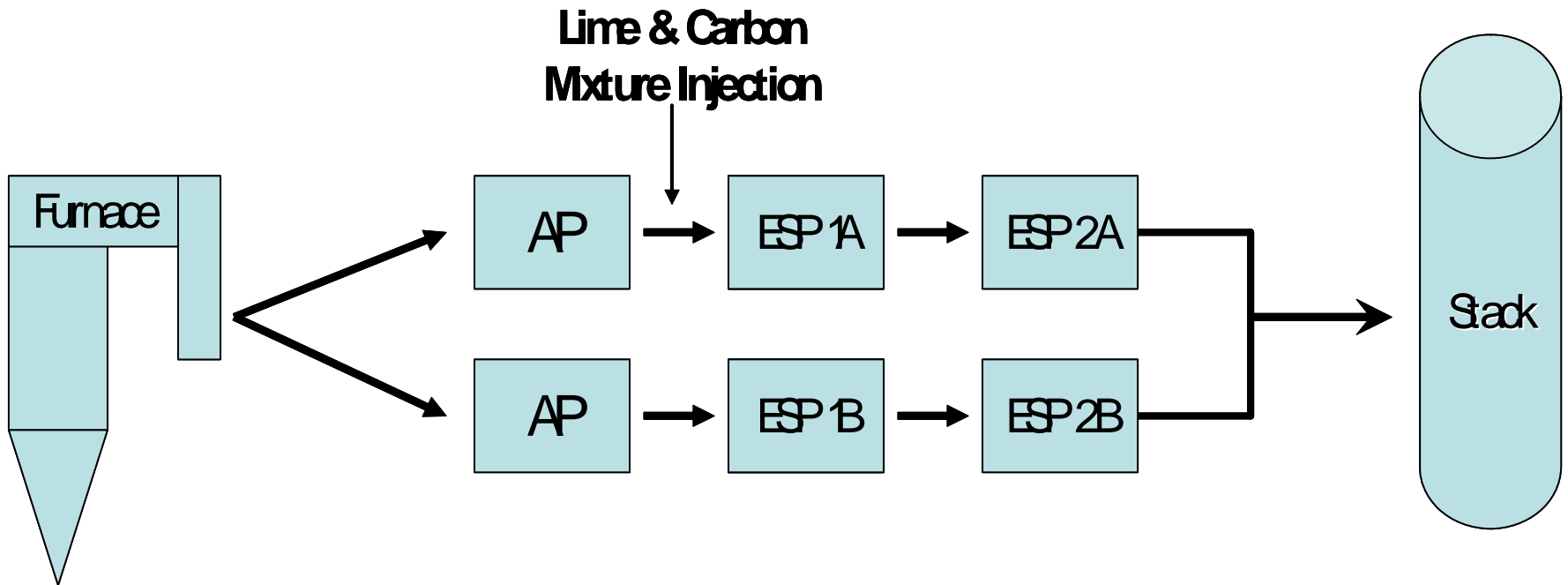
Staged Lime/Carbon Injection



Staged Lime / Carbon Injection



Lime/Carbon Mixture



Pre-Mixed Lime / Carbon Injection

