

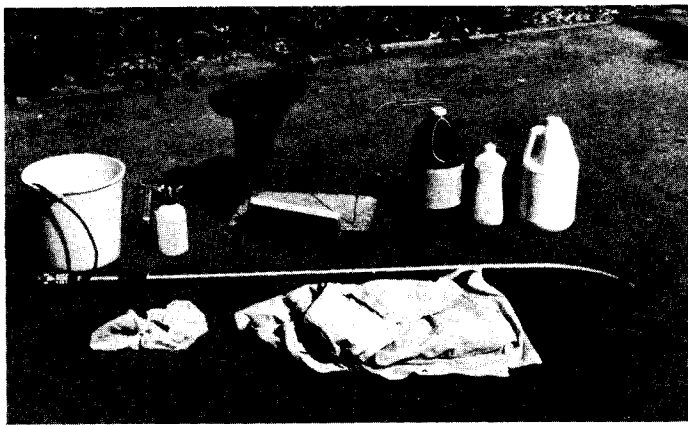
# Vaccination, Debeaking, and Insemination Crews



You get blamed for carrying disease from one "clean" flock to the next "clean" flock. So protect your reputation. Be sanitary! Here are some tips.

Before you leave home, bathe and dress in freshly laundered clothing.

Suggest to ranch owners that they supply ranch sanitation centers for cleaning equipment and vehicles—also showers, clothing, boots, hats, etc., for the crew to use while on the ranch.



If the ranch owners do not provide them, you need:

- coveralls with long sleeves
- rubber boots or washable (and washed!) shoes
- disposable or washable headgear
- washable gloves
- buckets and brushes
- cleaning agents and disinfectants
- large plastic bags
- garden hose siphon applicator
- 4-foot-long wand and spray nozzle
- garden hose spray attachment (with plastic bottle)
- boot drying rack

No obviously diseased flock should be serviced without the owner's authorization. If you see evidence of active disease after you begin work, stop and notify the owner.

If you plan to service a diseased flock, make it your last call of the day. However, if it is necessary to go from sick birds to any other flock or pen on the ranch, use the cleanup procedures listed under "When You Leave the Ranch."

Use only disinfected equipment. Individual, sterile, disposable insemination straws and disposable syringes and needles are highly recommended. Leave them on the ranch for disposal by the flock manager.

Be sure vials and syringes are free of disinfectant residues before you use them to collect, hold, or inject vaccines or semen. Disinfectant residues destroy vaccine viruses and harm semen. Semen collectors and inseminators must keep hands and fingernails clean.

This is one of a series of publications on Planned Disease Prevention, which includes all aspects of management to help prevent exposure of poultry to disease and to minimize the effects of disease. The publications have been prepared by University of California Agricultural Extension and Experiment Station personnel as part of a statewide poultry disease prevention project.

**AGRICULTURAL EXTENSION**

**UNIVERSITY OF CALIFORNIA**

AXT-406-3  
10/73

## FOLLOW THESE STEPS

### When You Arrive at the Ranch

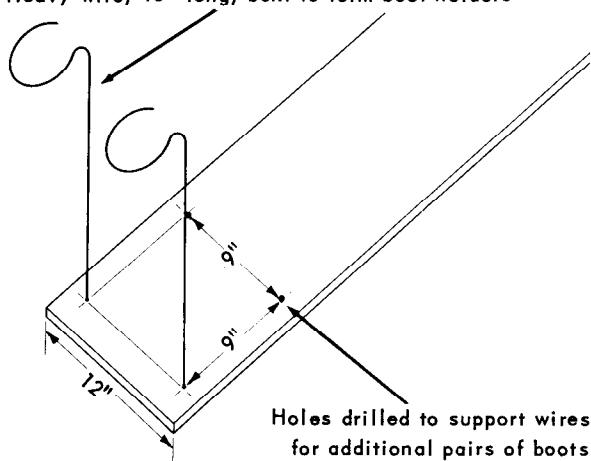
1. Park your vehicle outside the premises, at a ranch sanitation center, or in some other designated area.
2. Dress completely in clean coveralls or other clean clothing at your vehicle.
3. Put on washable shoes or boots that are clean and disinfected. Do not use thin, disposable, plastic boots for service crew work.
4. Put on a clean washable or disposable cap. (You can obtain these caps at surgical supply houses.)
5. Only take onto the ranch articles that can be cleaned and disinfected or that are disposable.
6. Use a disposable container to carry onto the ranch just enough vaccines, medicants, and diluents to service the flock.
7. Carry lunch in disposable containers.

### When You Leave the Ranch

1. Leave at the ranch all articles that cannot be cleaned and disinfected. These include food and unused vaccines, medicants, diluents, and their containers.
2. If you drove your vehicle onto the ranch, clean and disinfect it—top, underneath, and tires. Wash it clean with detergent, rinse well, and spray with an appropriate disinfectant.
3. Clean and disinfect the outside of your boots.
4. Clean and disinfect articles to be removed from the ranch.
5. Re-clean and disinfect boots inside and out and place them on a boot drying rack.
6. Take off washable items and place them in a plastic bag. Wash them before you re-use them!
7. Wash your hands—including fingernails—and your arms in disinfectant.

### BOOT DRYING RACK

Heavy wire, 18" long, bent to form boot holders



Holes drilled to support wires for additional pairs of boots

### GARDEN HOSE SIPHON APPLICATOR OR SPRAY ATTACHMENT

The ranch's garden hose, with at least 40 pounds pressure, provides one of the most portable means of cleaning and disinfecting a vehicle. Attach a proportioner or similar device to the hose to siphon and mix detergent or disinfectant into the spray water. You can mix stock solutions of detergent or disinfectant in a plastic bucket or plastic bottle so that the final spray solution will be at the correct dilution.

You can obtain the spray boom, trigger valve, and nozzles (4 gpm or more) through spray equipment outlets.

For additional details on sanitation, refer to number 2 in the Planned Disease Prevention series, *Cleaning and Disinfecting Poultry Equipment and Poultry Houses*, AXT-406-2.

This publication was prepared by Area Farm Advisors J. Price Schroeder and Ralph E. Pfost, Parlier.

The University of California's Agricultural Extension Programs are available to all, without regard to race, color, or national origin.